

US00D716638S

(12) **United States Design Patent**
McDonald

(10) **Patent No.:** **US D716,638 S**
(45) **Date of Patent:** **** Nov. 4, 2014**

- (54) **REBAR CAP**
- (71) Applicant: **Curt McDonald**, Englewood, FL (US)
- (72) Inventor: **Curt McDonald**, Englewood, FL (US)
- (**) Term: **14 Years**
- (21) Appl. No.: **29/476,961**
- (22) Filed: **Dec. 18, 2013**

5,887,394 A *	3/1999	Workman	52/301
D408,268 S	4/1999	Dunn	
5,943,836 A *	8/1999	Kassardjian	52/301
5,946,871 A	9/1999	Kassardjian et al.	
D416,630 S *	11/1999	Schimmelpfennig et al.	D25/135
D416,631 S *	11/1999	Schimmelpfennig et al.	D25/135
6,085,478 A	7/2000	Workman	
D460,571 S *	7/2002	Schimmelpfennig	D25/135
6,612,082 B2 *	9/2003	Schimmelpfennig et al.	52/300
6,857,235 B2	2/2005	Niday et al.	
7,472,522 B2	1/2009	Yang	
7,716,898 B1	5/2010	Dunn	
D654,384 S	2/2012	McDonald	
8,141,309 B2	3/2012	Kubicek	
2008/0168726 A1 *	7/2008	Yang	52/301
2009/0107067 A1	4/2009	Beery	
2009/0313927 A1	12/2009	Myers, Jr. et al.	
2012/0291381 A1	11/2012	Kassardjian et al.	

Related U.S. Application Data

- (62) Division of application No. 14/089,846, filed on Nov. 26, 2013.
- (51) **LOC (10) Cl.** **08-05**
- (52) **U.S. Cl.**
USPC **D8/354**
- (58) **Field of Classification Search**
USPC D8/354, 349; 52/301, 289, 300, 689;
138/96 R; 248/523; 74/553; D25/135
See application file for complete search history.

* cited by examiner

Primary Examiner — Mark Goodwin
(74) *Attorney, Agent, or Firm* — Dickinson Wright, PLLC

(57) **CLAIM**
The ornamental design for a rebar cap, as shown and described.

(56) **References Cited**

U.S. PATENT DOCUMENTS

4,202,378 A	5/1980	Bush et al.	
D262,093 S *	12/1981	Bush et al.	D8/386
5,381,636 A	1/1995	Kassardjian et al.	
D363,657 S *	10/1995	Kassardjian et al.	D8/354
5,568,708 A	10/1996	Kassardjian et al.	
5,687,772 A *	11/1997	Underwood	138/96 R
5,729,941 A	3/1998	Kassardjian et al.	
D405,349 S	2/1999	Orth	

DESCRIPTION

FIG. 1 is a perspective view of the top of the rebar cap;
FIG. 2 is a top view of the rebar cap;
FIG. 3 is a side view of the rebar cap; and,
FIG. 4 is a bottom view of the rebar cap.

1 Claim, 2 Drawing Sheets

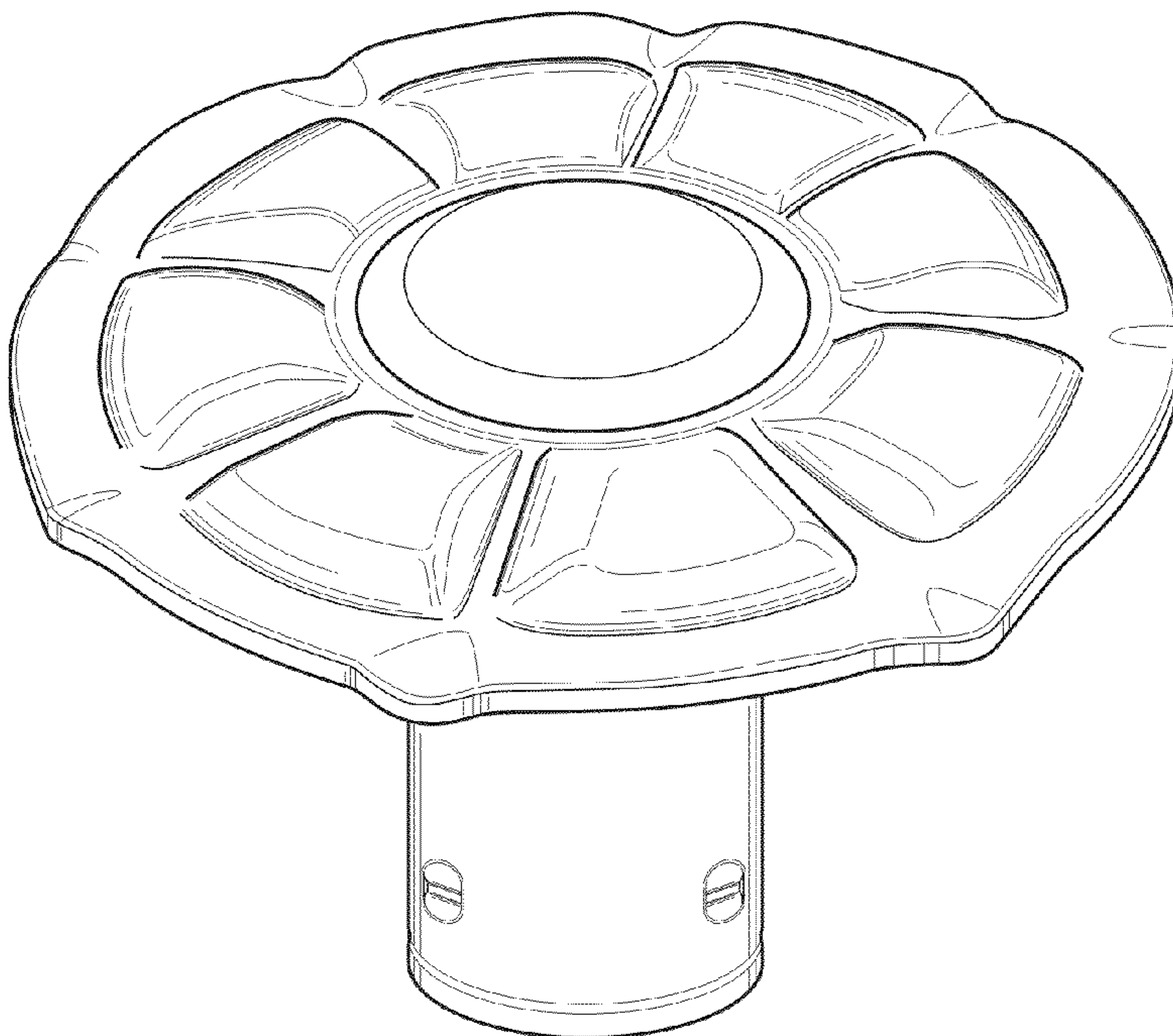


FIG. 1

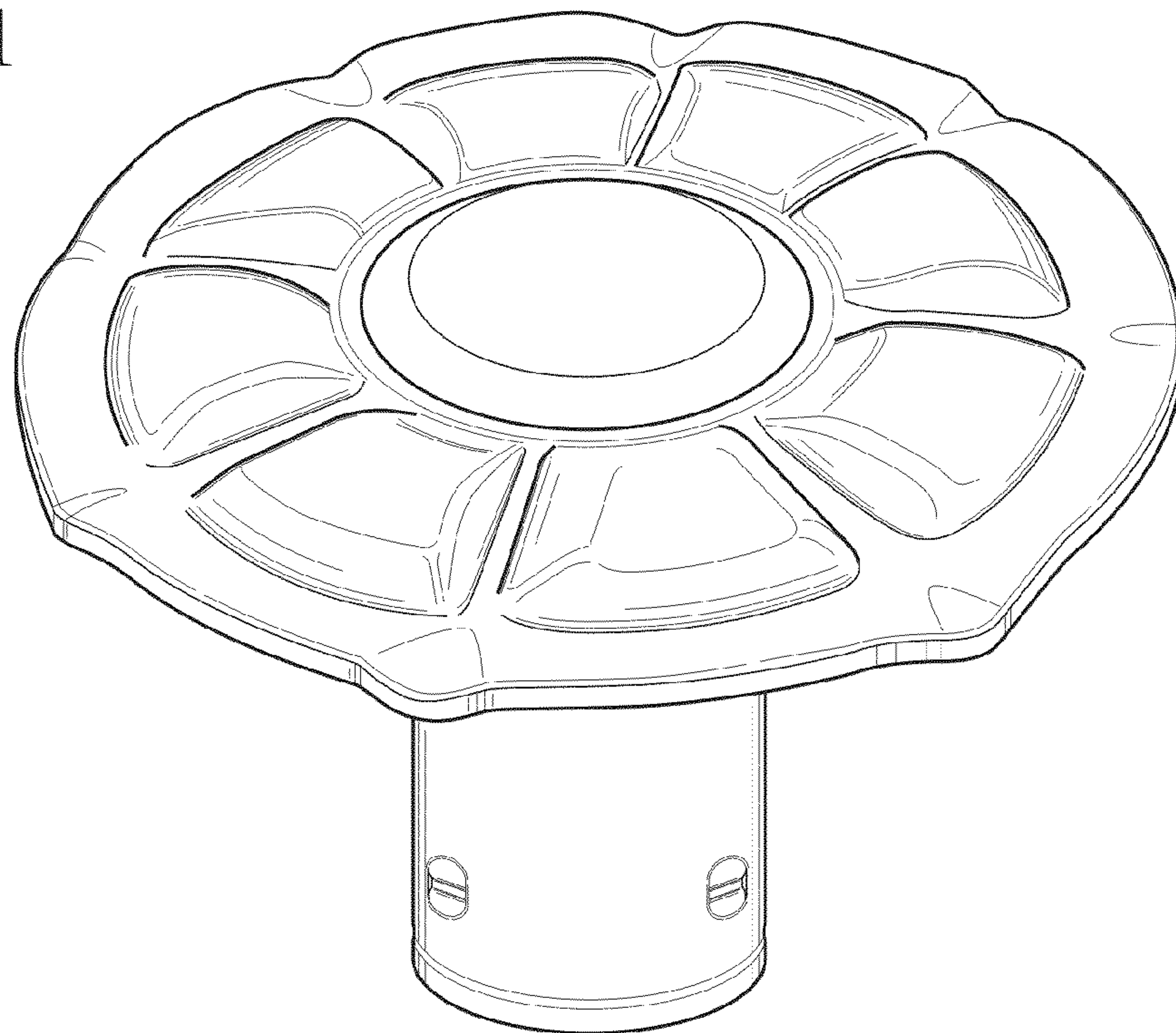


FIG. 2

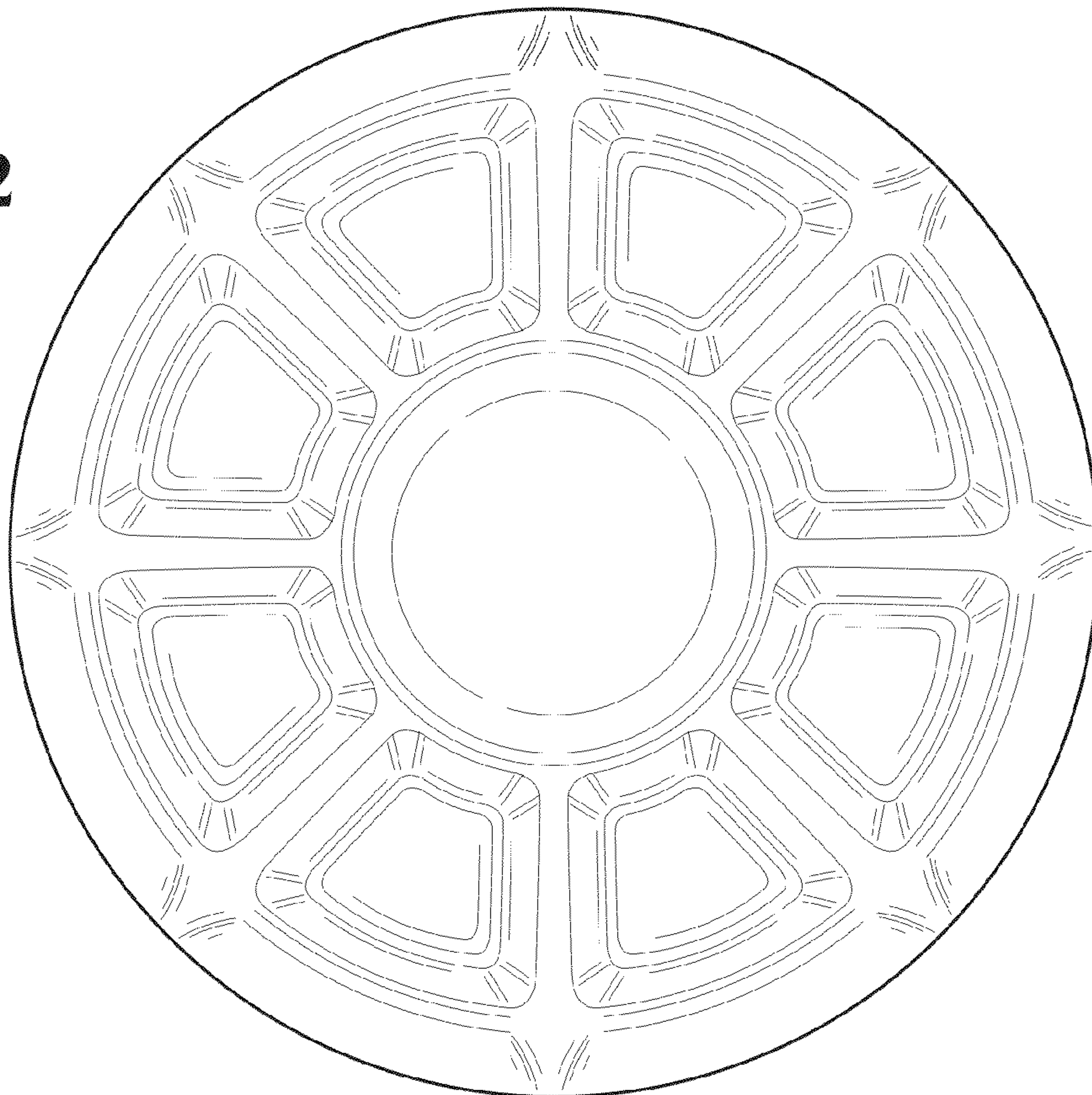


FIG. 3

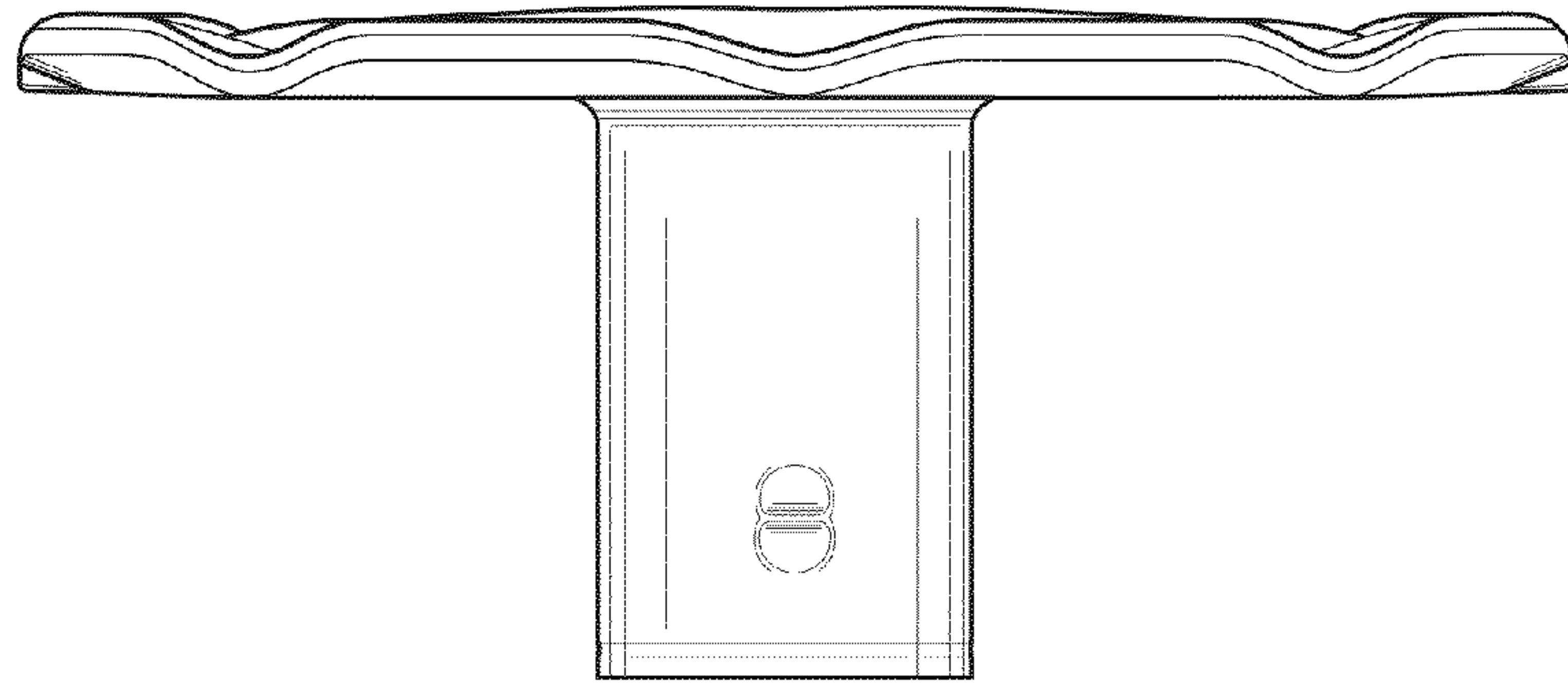


FIG. 4

