



US00D716634S

(12) **United States Design Patent**
Huang et al.

(10) **Patent No.:** **US D716,634 S**

(45) **Date of Patent:** **** Nov. 4, 2014**

(54) **HANDLE**

(71) Applicant: **Taiwan Fu Hsing Industrial Co., Ltd.**,
Kaohsiung (TW)

(72) Inventors: **Fu-Chih Huang**, Kaohsiung (TW);
Shih-Min Lu, Kaohsiung (TW)

(73) Assignee: **Taiwan Fu Hsing Industrial Co., Ltd.**,
Kaohsiung (TW)

(**) Term: **14 Years**

(21) Appl. No.: **29/466,464**

(22) Filed: **Sep. 9, 2013**

(30) **Foreign Application Priority Data**

Jul. 9, 2013 (TW) 102304759

(51) **LOC (10) Cl.** **08-06**

(52) **U.S. Cl.**
USPC **D8/308**

(58) **Field of Classification Search**
CPC E05B 1/00
USPC D8/307, 308, 301, 302, 343, 331;
16/110.1; 292/336.3, DIG. 30, 166,
292/167, 173; 70/207, 208, 277, 278.1
See application file for complete search history.

(56) **References Cited**

U.S. PATENT DOCUMENTS

D65,214 S *	7/1924	Auld	D8/308
1,818,612 A *	8/1931	Floraday	292/347
D111,016 S *	8/1938	Curtiss	D8/308
D131,217 S *	1/1942	Braun	D8/308
D189,524 S *	1/1961	Savage	D8/302
3,881,331 A *	5/1975	Tranberg et al.	70/107
4,480,451 A *	11/1984	Fujiya	70/92
4,604,879 A *	8/1986	Neary et al.	70/224
D295,947 S *	5/1988	Valli	D8/308
D300,299 S *	3/1989	Bellini	D8/301

4,899,562 A *	2/1990	Gartner et al.	70/277
4,936,122 A *	6/1990	Osada	70/214
D313,542 S *	1/1991	Fayerman	D8/308
D317,706 S *	6/1991	Boeri	D8/308
5,136,870 A *	8/1992	Gartner et al.	70/277
D332,904 S *	2/1993	Plummer et al.	D8/308
D339,280 S *	9/1993	Bray et al.	D8/301
D353,088 S *	12/1994	Johansson et al.	D8/308
5,390,517 A *	2/1995	Yamada	70/210
D356,484 S *	3/1995	Scholl	D8/308
D360,124 S *	7/1995	Gartner	D8/330
D361,256 S *	8/1995	Vennola	D8/307
5,718,468 A *	2/1998	Qureshi et al.	292/347
D400,776 S *	11/1998	Prevot et al.	D8/301
D406,042 S *	2/1999	Klinker	D8/308
D461,111 S *	8/2002	Gartner	D8/301
D492,571 S *	7/2004	Linares	D8/308
D529,783 S *	10/2006	Corcino	D8/301
D532,279 S *	11/2006	Bouroullec et al.	D8/308
D537,702 S *	3/2007	Roberts, III	D8/308
D549,545 S *	8/2007	Schneider	D8/308
D566,517 S *	4/2008	Lin	D8/308

* cited by examiner

Primary Examiner — Paula Greene

(74) *Attorney, Agent, or Firm* — Jackson IPG PLLC

(57) **CLAIM**

The ornamental design for a handle, as shown and described.

DESCRIPTION

FIG. 1 is a perspective view of a handle showing our new design;

FIG. 2 is a front elevational view thereof;

FIG. 3 is a top plan view thereof;

FIG. 4 is a right side elevational view thereof;

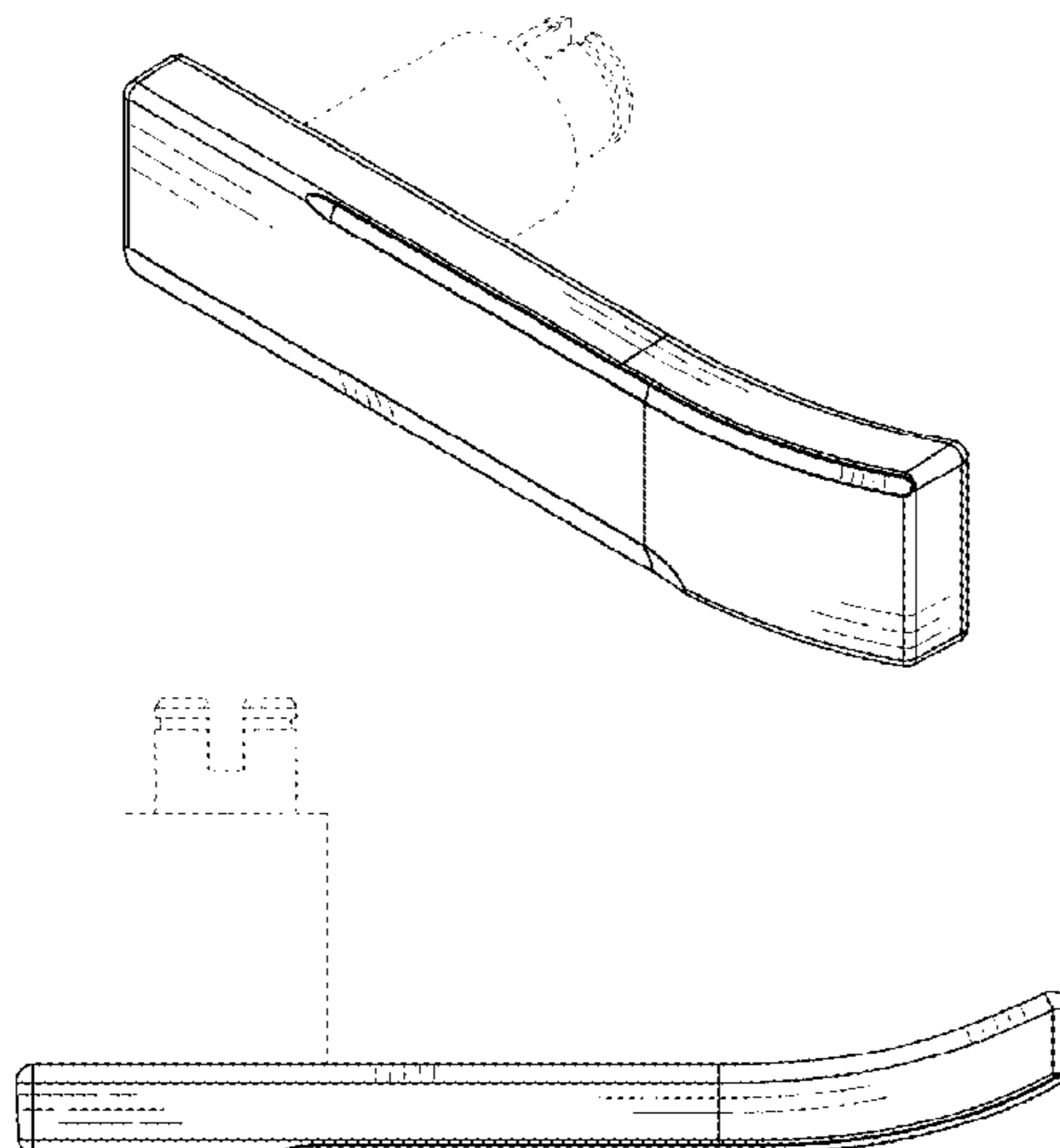
FIG. 5 is a left side elevational view thereof;

FIG. 6 is a rear elevational view thereof; and,

FIG. 7 is a bottom plan view thereof.

The broken line showing of the handle portion is included for the purpose of illustrating only and forms no part of the claimed design.

1 Claim, 4 Drawing Sheets



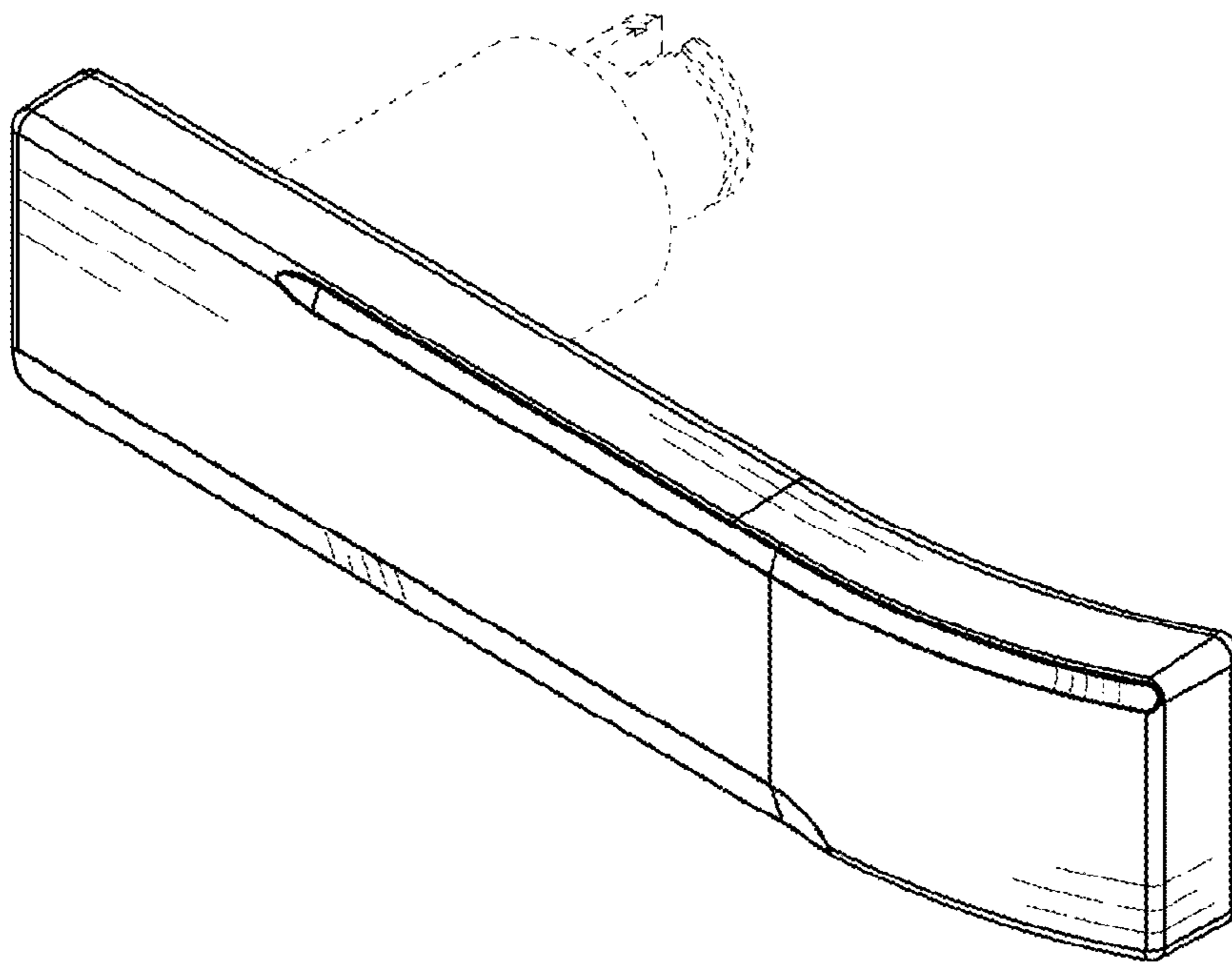


FIG. 1



FIG. 2

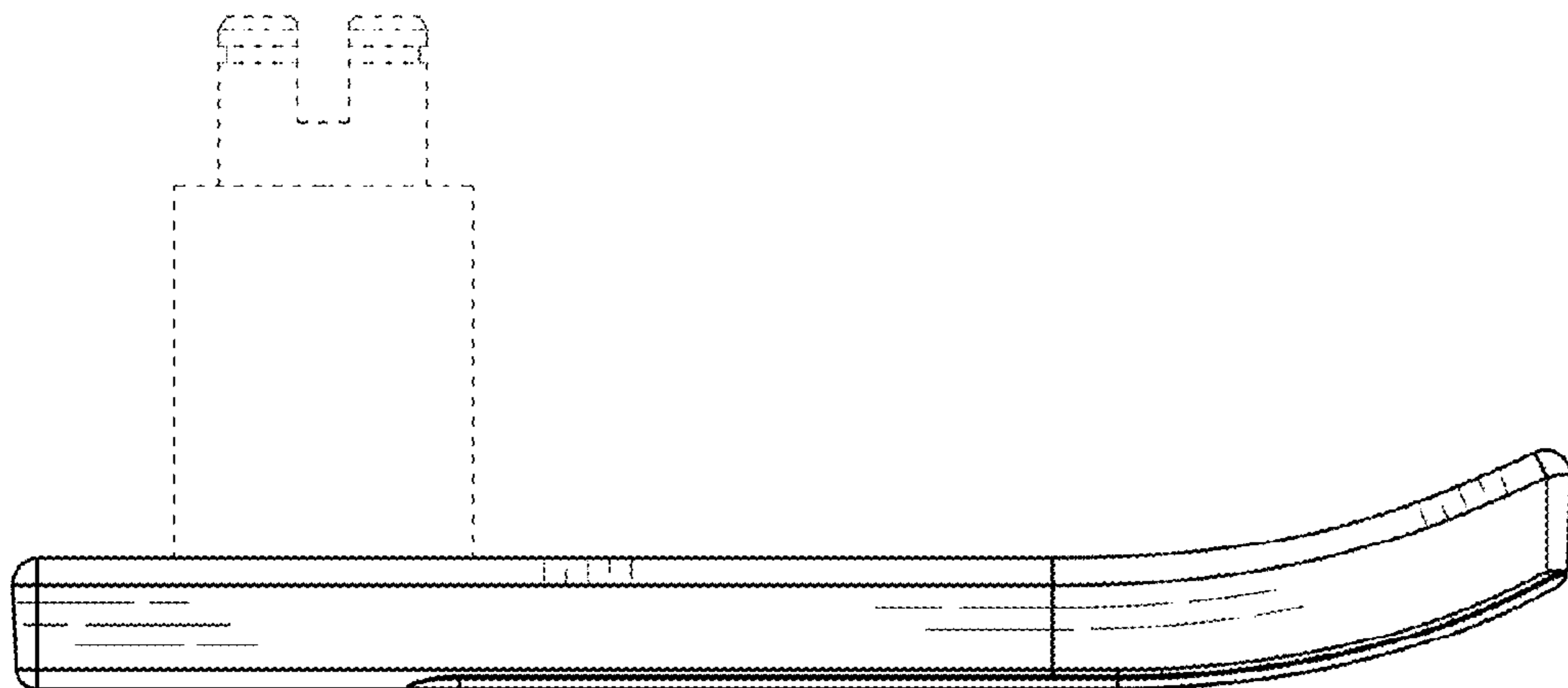


FIG. 3

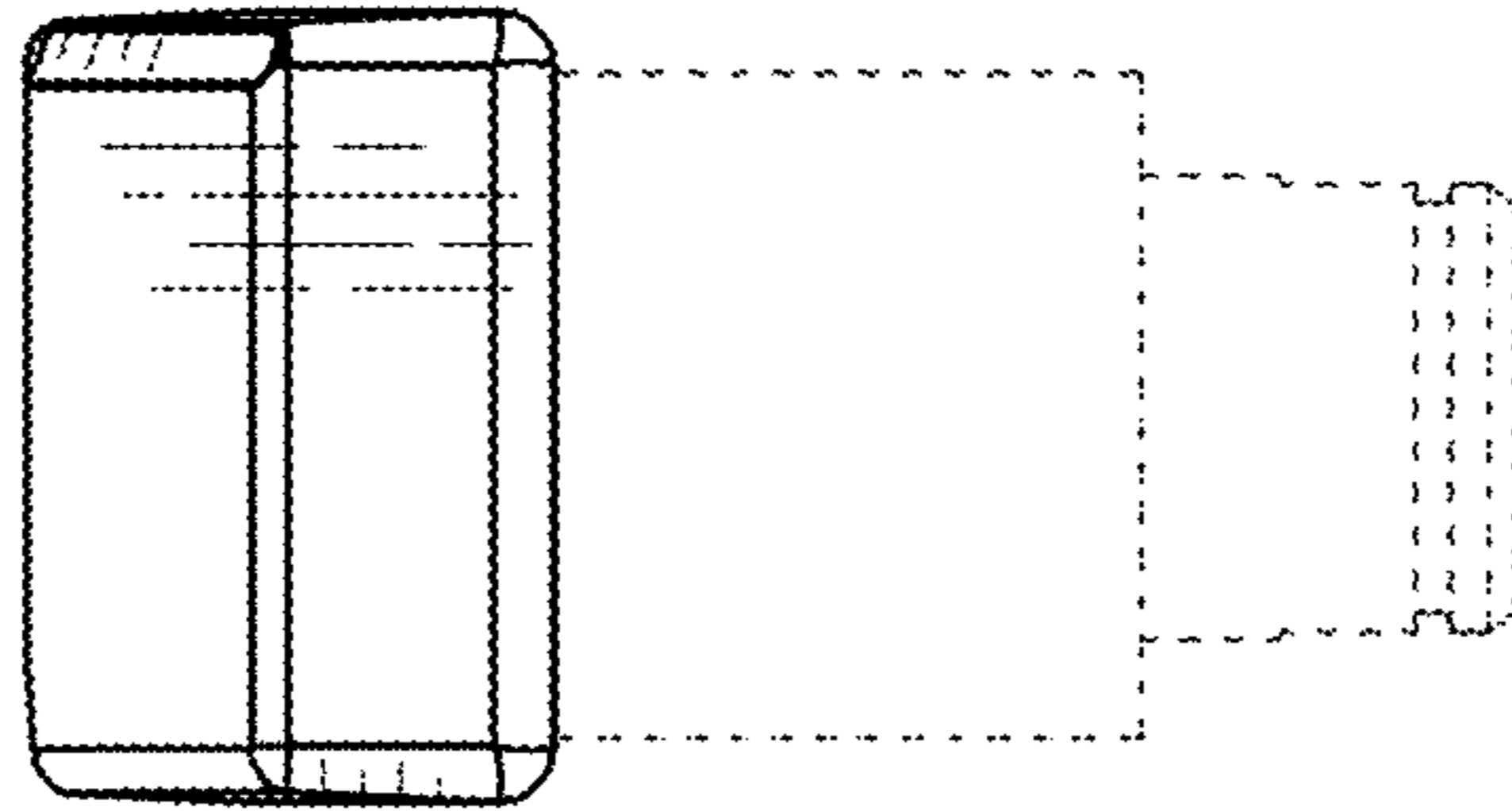


FIG. 4

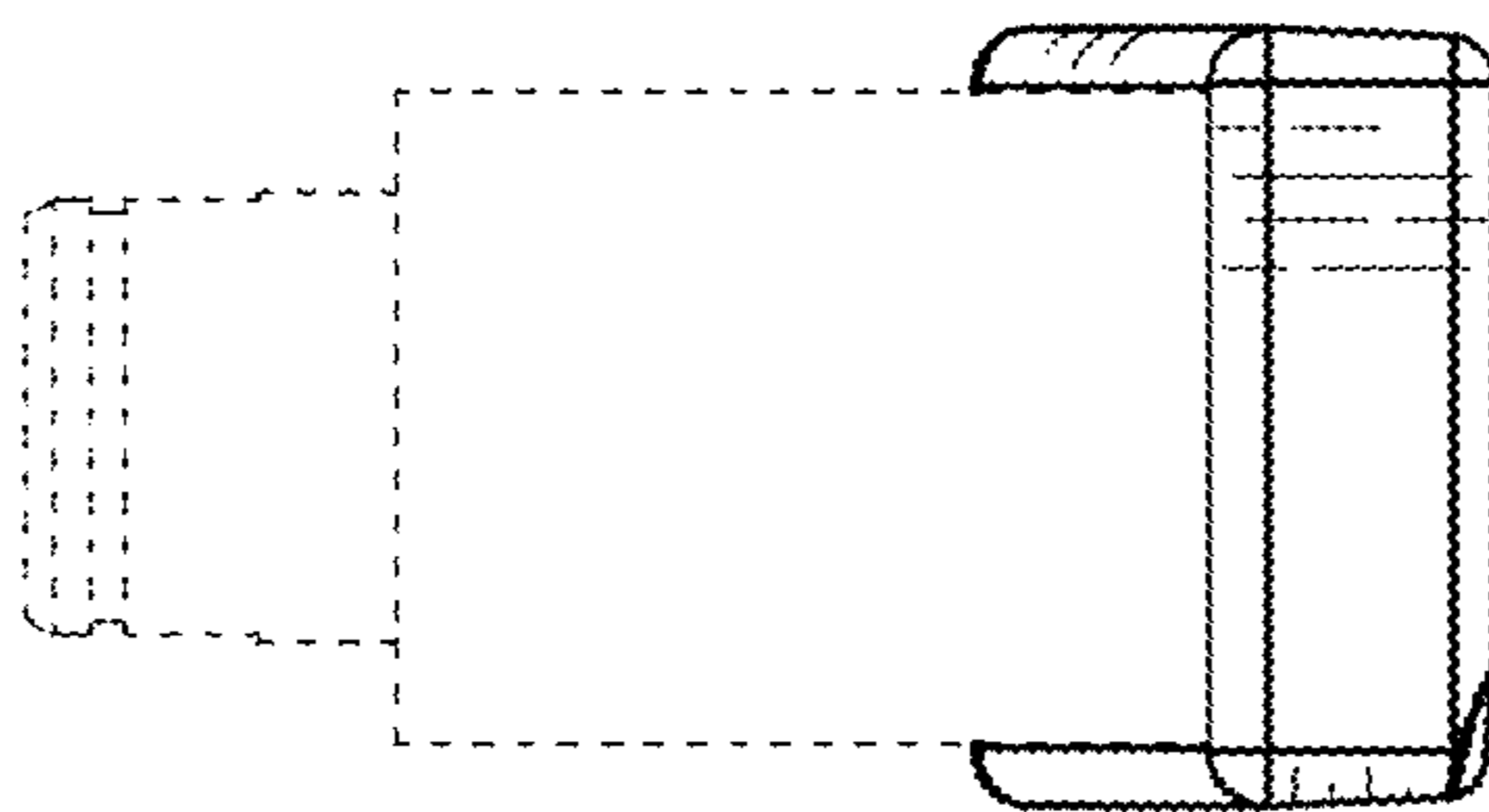


FIG. 5

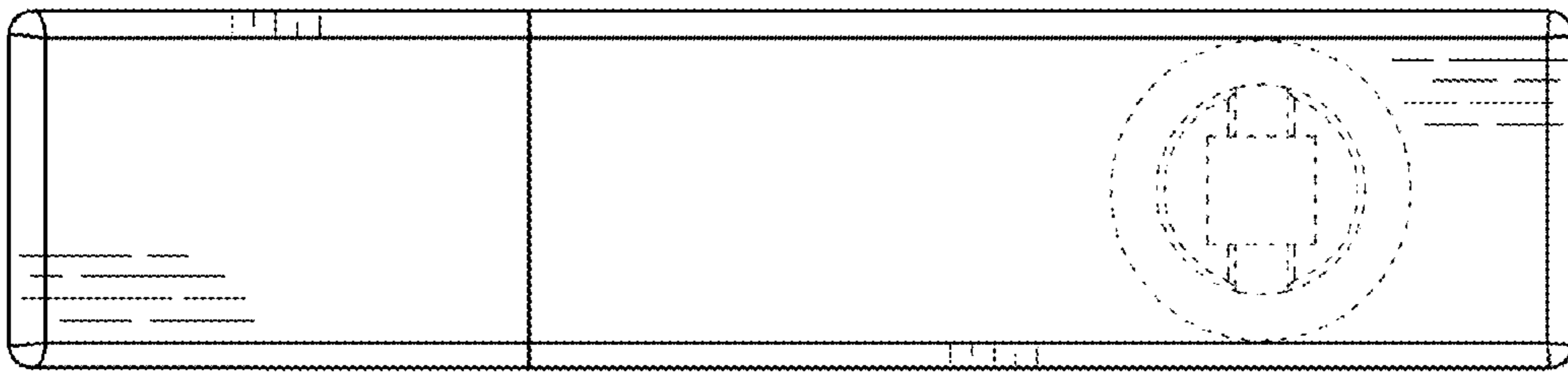


FIG. 6

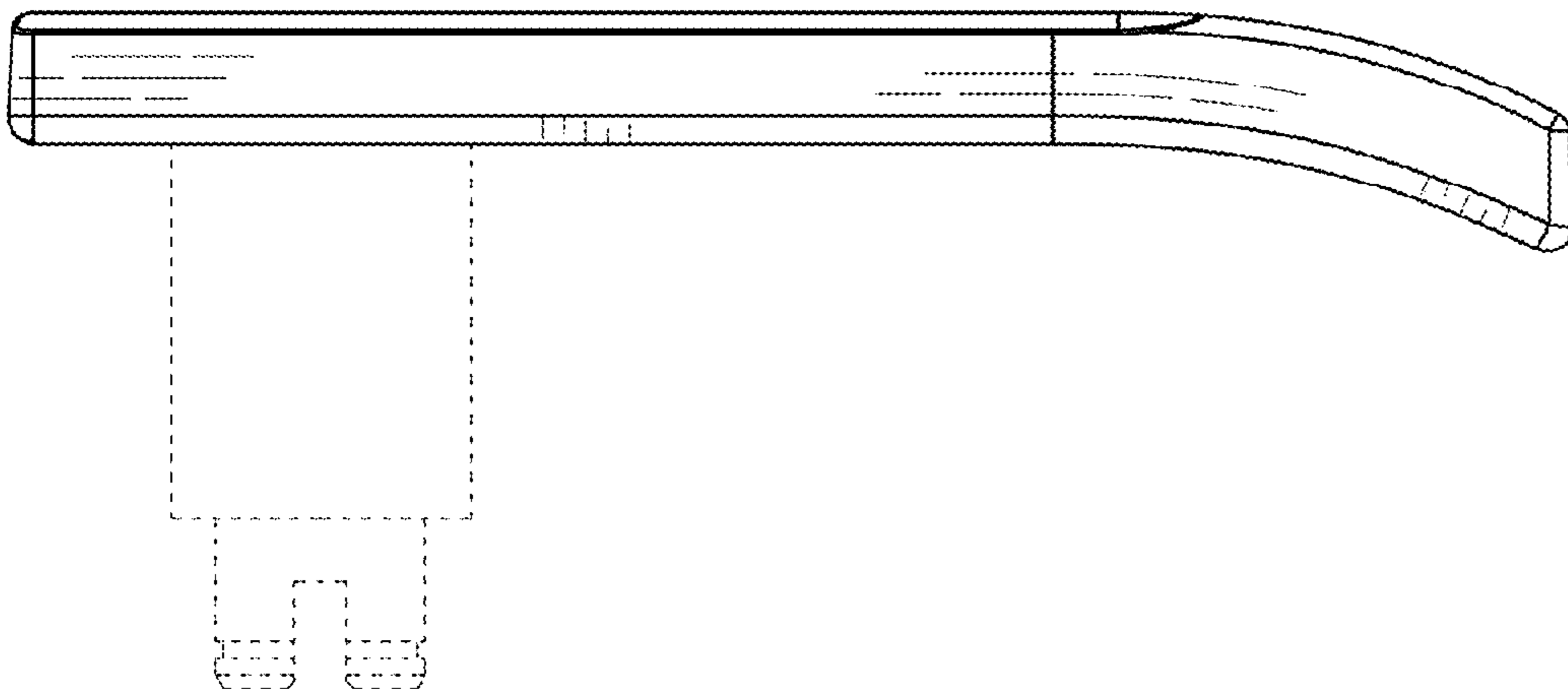


FIG. 7