



US00D716633S

(12) **United States Design Patent**  
**Weddington**

(10) **Patent No.:** **US D716,633 S**

(45) **Date of Patent:** **\*\* Nov. 4, 2014**

(54) **MULTI-FUNCTION POCKET KNIFE**

(71) Applicant: **Georgiana Marie Weddington**, New York, NY (US)

(72) Inventor: **Georgiana Marie Weddington**, New York, NY (US)

(\*\*) Term: **14 Years**

(21) Appl. No.: **29/469,493**

(22) Filed: **Oct. 10, 2013**

(51) **LOC (10) Cl.** ..... **08-05**

(52) **U.S. Cl.**

USPC ..... **D8/105**; D27/194; D27/163

(58) **Field of Classification Search**

USPC ..... D8/4, 5, 14, 16, 18, 19, 20–29, 33, 34, D8/38–43, 51, 52, 55, 57, 75, 81–87, 98, D8/99, 104–107, 354, 356, 358, 360.1; 7/107, 128, 151–166; 30/151, 359, 30/366; D3/24, 25, 207–208, 210, 228; D10/46.2, 62; 362/119; 206/38, 232, 206/234; 81/3.09, 437, 440; D7/368, 665, D7/669; D27/163, 167, 172, 181, 194, 195

See application file for complete search history.

(56) **References Cited**

**U.S. PATENT DOCUMENTS**

1,187,842	A	*	6/1916	Kaas	.....	7/168
D170,767	S	*	11/1953	Polk	.....	D27/142
D172,108	S	*	5/1954	Polincovsky	.....	D27/142
D270,952	S	*	10/1983	Peterson	.....	D27/161
D350,271	S	*	9/1994	Landy et al.	.....	D8/99
D364,327	S	*	11/1995	Graham	.....	D8/105
D433,915	S	*	11/2000	Elsener, Sr.	.....	D8/105
D434,961	S	*	12/2000	Elsener, Sr.	.....	D8/107
D440,350	S	*	4/2001	Park	.....	D27/142
D452,037	S	*	12/2001	Smith	.....	D27/143

D463,494	S	*	9/2002	Mori	.....	D19/65
D469,677	S	*	2/2003	Hung	.....	D8/105
D509,318	S	*	9/2005	Poinstingl et al.	.....	D27/143
D551,802	S	*	9/2007	Rubin et al.	.....	D28/60
D658,962	S	*	5/2012	Green et al.	.....	D8/105
D658,964	S	*	5/2012	Elsener	.....	D8/105
D661,015	S	*	5/2012	Logue et al.	.....	D27/172
2006/0075570	A1	*	4/2006	Gelfand	.....	7/118
2006/0096035	A1	*	5/2006	Ocklenburg	.....	7/155
2011/0010866	A1	*	1/2011	Green et al.	.....	7/118
2013/0025071	A1	*	1/2013	Keng	.....	7/118

\* cited by examiner

*Primary Examiner* — Susan Bennett Hattan

*Assistant Examiner* — Janice Hallmark

(57) **CLAIM**

The ornamental design for a multi-function pocket knife, as shown and described.

**DESCRIPTION**

FIG. 1 is a perspective front view of a multi-function pocket knife;

FIG. 2 is a front elevation view of the multi-function pocket knife;

FIG. 3 is a rear elevation view of the multi-function pocket knife;

FIG. 4 is a left side elevation view of the multi-function pocket knife;

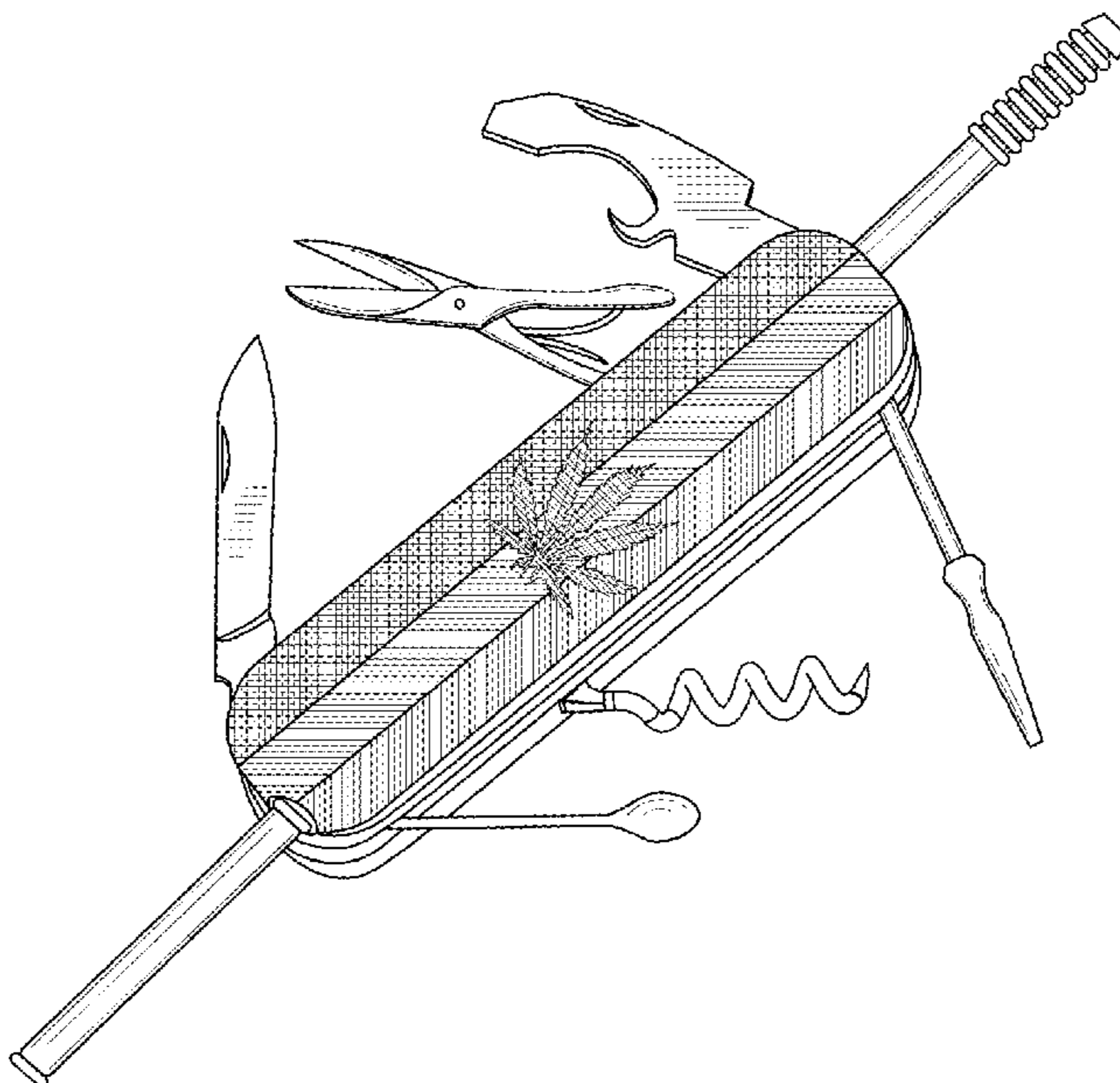
FIG. 5 is a right side elevation view of the multi-function pocket knife;

FIG. 6 is a top elevation view of the multi-function pocket knife; and,

FIG. 7 is a bottom elevation view of the multi-function pocket knife.

The broken lines in the drawing depict environmental subject matter only and form no part of the claimed design.

**1 Claim, 3 Drawing Sheets**



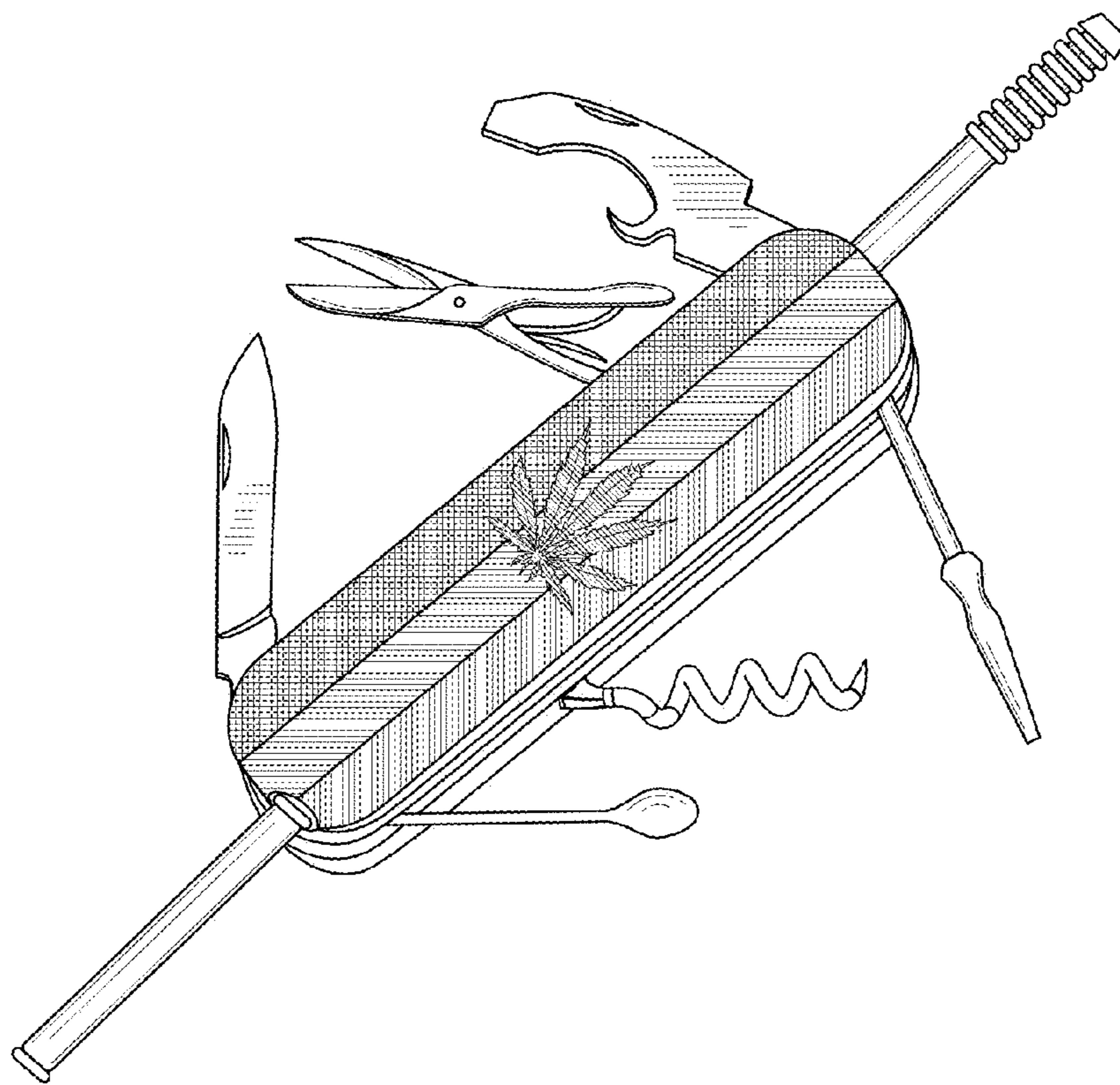


FIG. 1



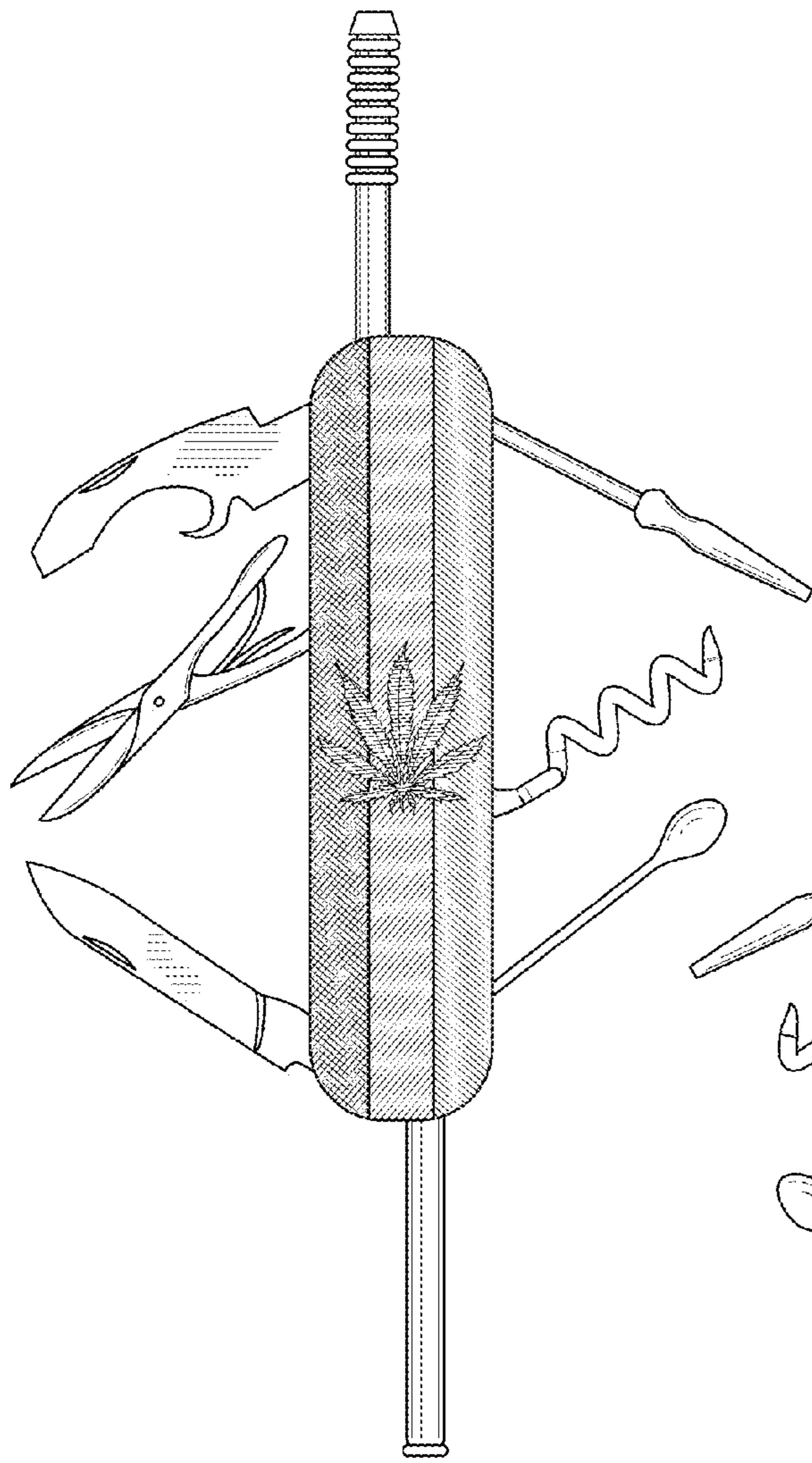


FIG. 2

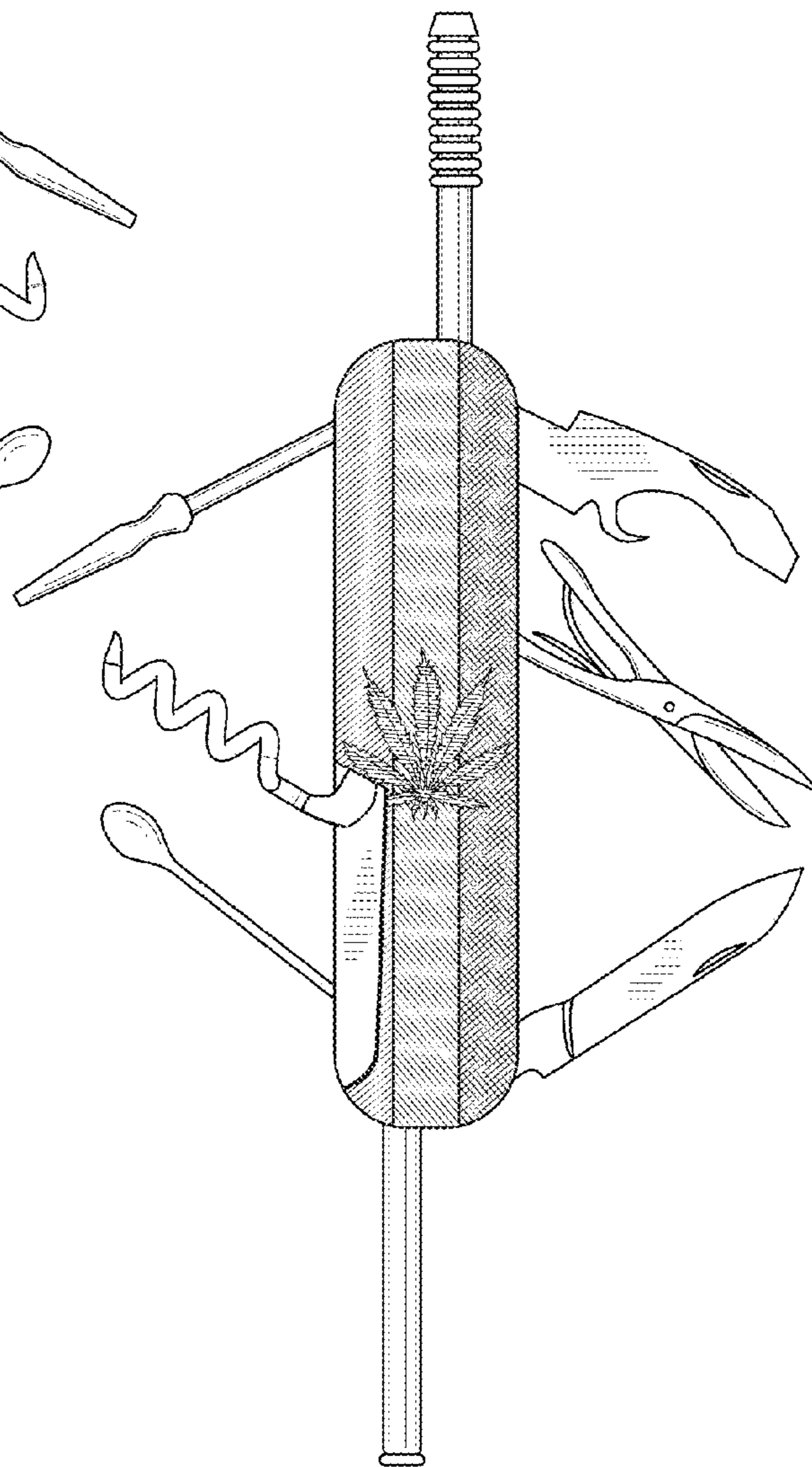


FIG. 3

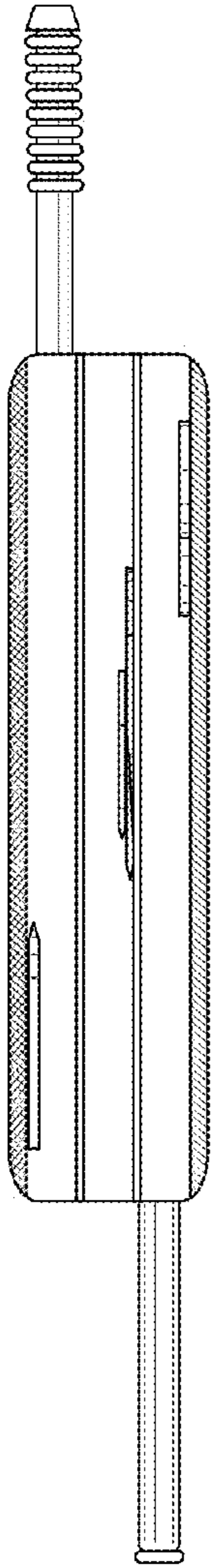


FIG. 4

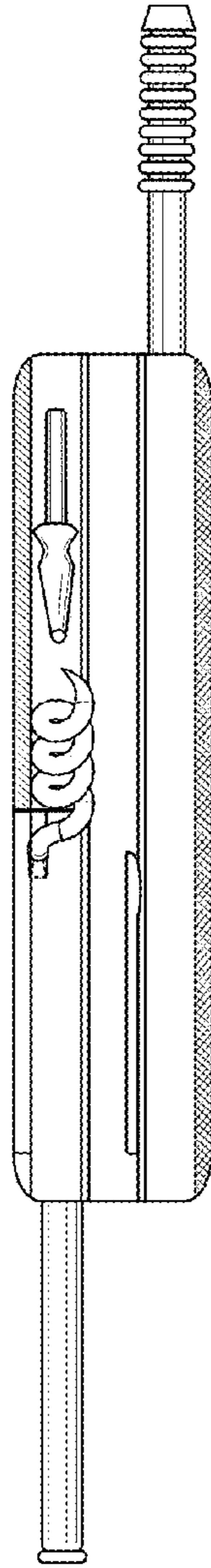


FIG. 5

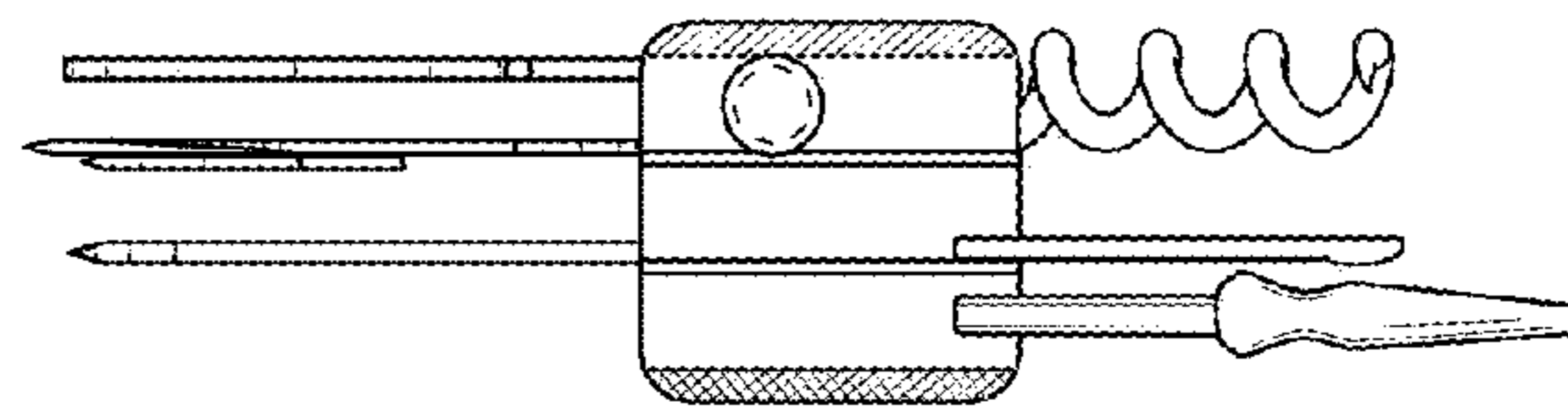


FIG. 6

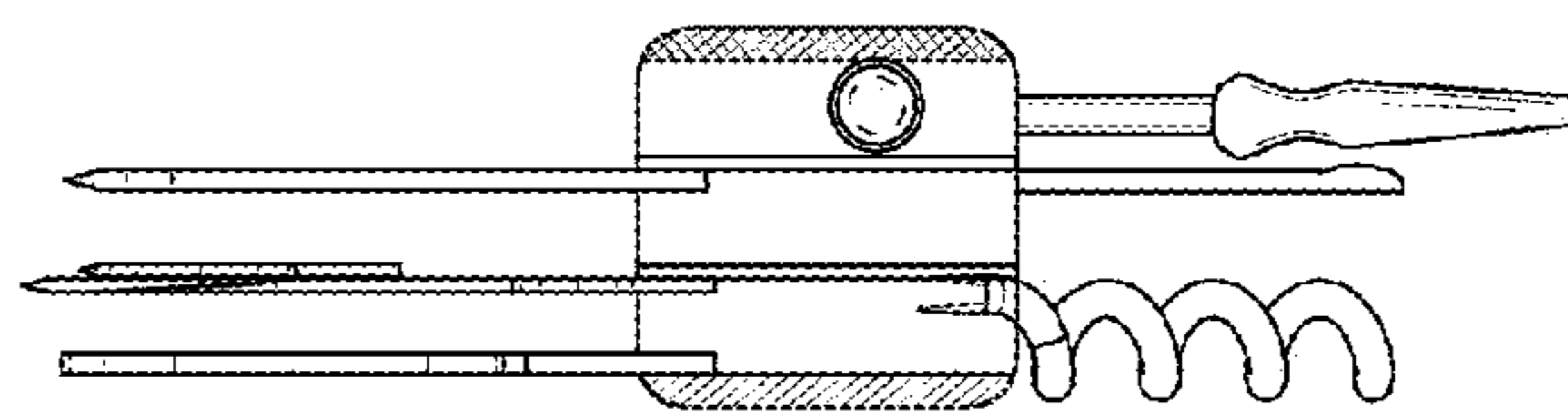


FIG. 7