



US00D716630S

(12) **United States Design Patent**
Lin

(10) **Patent No.:** **US D716,630 S**

(45) **Date of Patent:** **** Nov. 4, 2014**

(54) **SCREW DRIVER HEAD**

(71) Applicant: **Ying-Mo Lin**, Nantou County (TW)

(72) Inventor: **Ying-Mo Lin**, Nantou County (TW)

(**) Term: **14 Years**

(21) Appl. No.: **29/443,308**

(22) Filed: **Jan. 15, 2013**

(51) **LOC (10) Cl.** **08-04**

(52) **U.S. Cl.**

USPC **D8/86**

(58) **Field of Classification Search**

CPC B21D 41/04; B23B 31/005; B23B 31/008;
B23B 31/1071; B25B 23/0035; B65D 63/16;
A44B 11/10; E01C 11/10; E04B 1/6801

USPC D8/14, 21, 29, 70, 82, 85-87, 107,
D8/376-377; 81/121.1, 125, 177.1, 436,
81/438-443, 460-461; D15/139;
D24/164, 166, 177; D19/48, 49, 51;
D21/484, 487, 492, 503; D25/31, 41.1,
D25/43, 69, 113, 115-117, 119, 124, 164

See application file for complete search history.

(56) **References Cited**

U.S. PATENT DOCUMENTS

3,124,047 A * 3/1964 Graham 404/47
4,369,837 A * 1/1983 Moranne 165/175
4,398,321 A * 8/1983 Sunesson 24/196
D283,734 S * 5/1986 Parren D27/153
D412,142 S * 7/1999 Dickie D12/133

D413,285 S * 8/1999 Votel D12/133
D415,075 S * 10/1999 Lan D12/133
6,204,584 B1 * 3/2001 Muszynski 310/156.08
D446,316 S * 8/2001 Wooten D25/43
D480,195 S * 9/2003 Koerlin et al. D34/27
D539,929 S * 4/2007 Quigley et al. D25/113
D578,871 S * 10/2008 Rogers D8/376
D579,045 S * 10/2008 Allemann D19/45
7,766,585 B2 * 8/2010 Vasudeva et al. 408/226
8,016,523 B2 * 9/2011 Vasudeva et al. 408/226

* cited by examiner

Primary Examiner — Philip S Hyder

Assistant Examiner — Roselyne Cody

(74) *Attorney, Agent, or Firm* — Banger Shia

(57) **CLAIM**

The ornamental design for a screw driver head, as shown and described.

DESCRIPTION

FIG. 1 is a perspective view of a screw driver head showing my new design;

FIG. 2 is a front elevational view thereof, the rear elevational view being a mirror image;

FIG. 3 is a left side elevational view thereof;

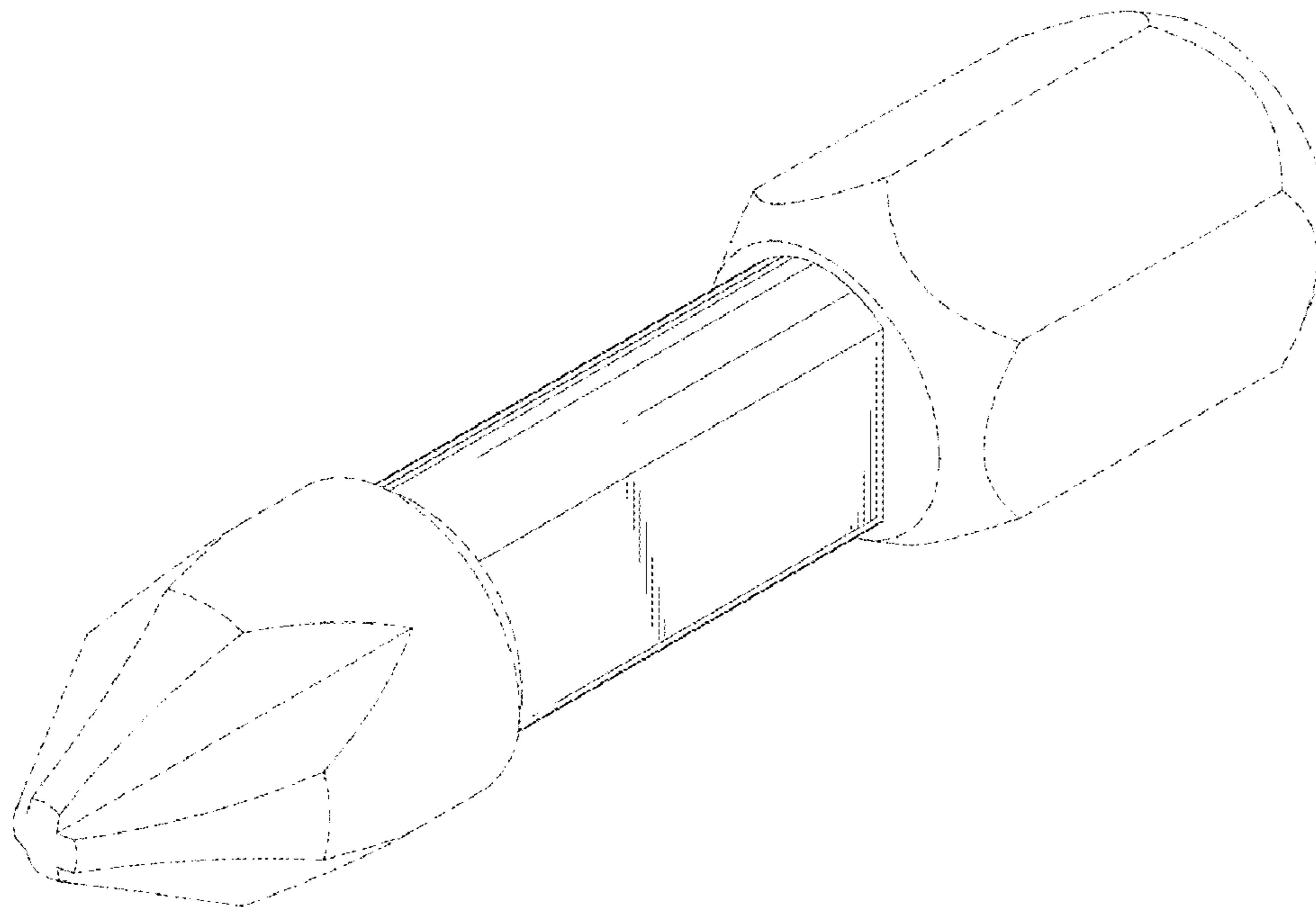
FIG. 4 is a right side elevational view thereof;

FIG. 5 is a top view thereof, the bottom view being a mirror image; and,

FIG. 6 is a cross-sectional view taken along section line 6-6 of FIG. 2.

The broken lines are shown for illustrative purposes only and form no part of the claimed design.

1 Claim, 5 Drawing Sheets



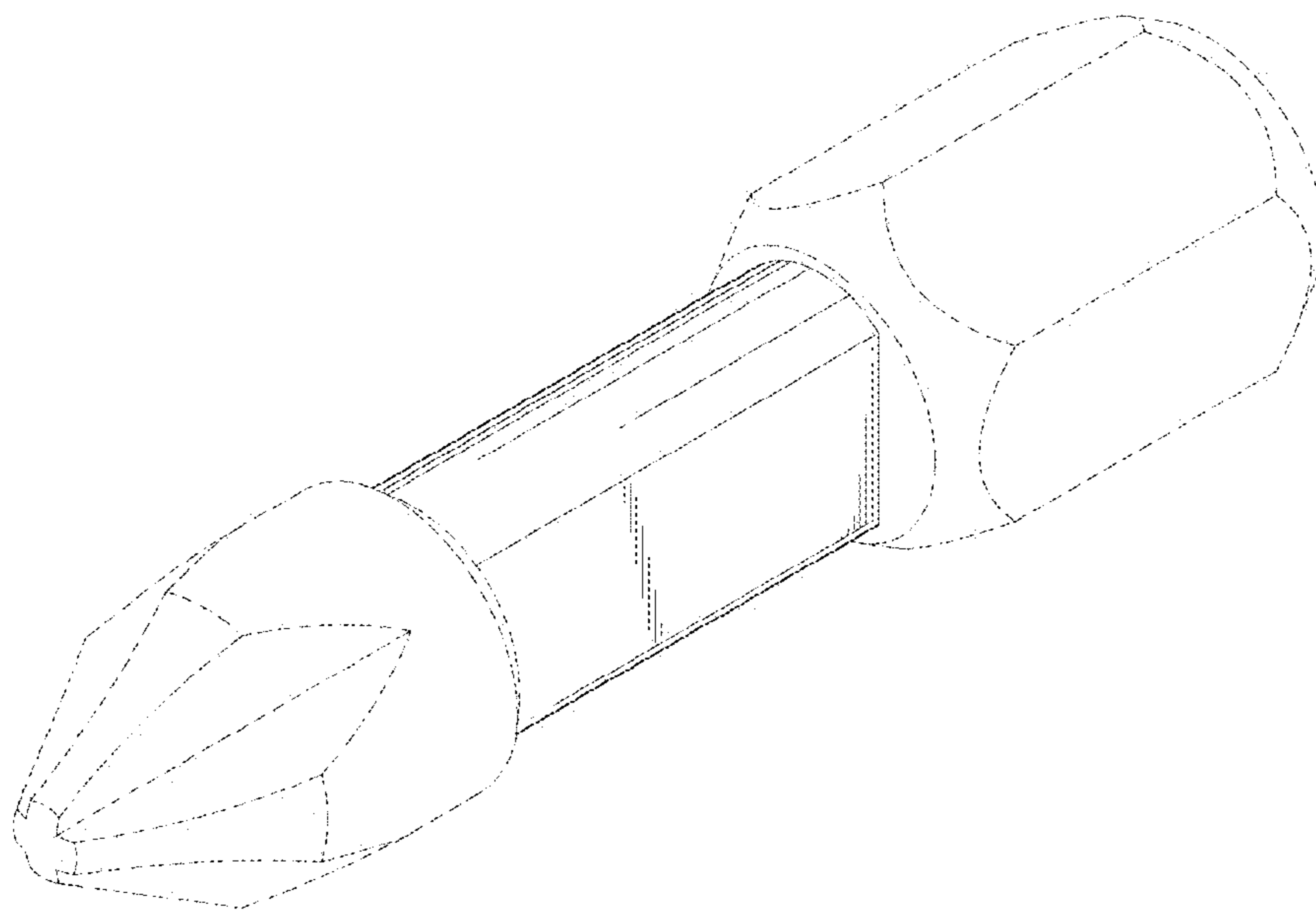


FIG. 1

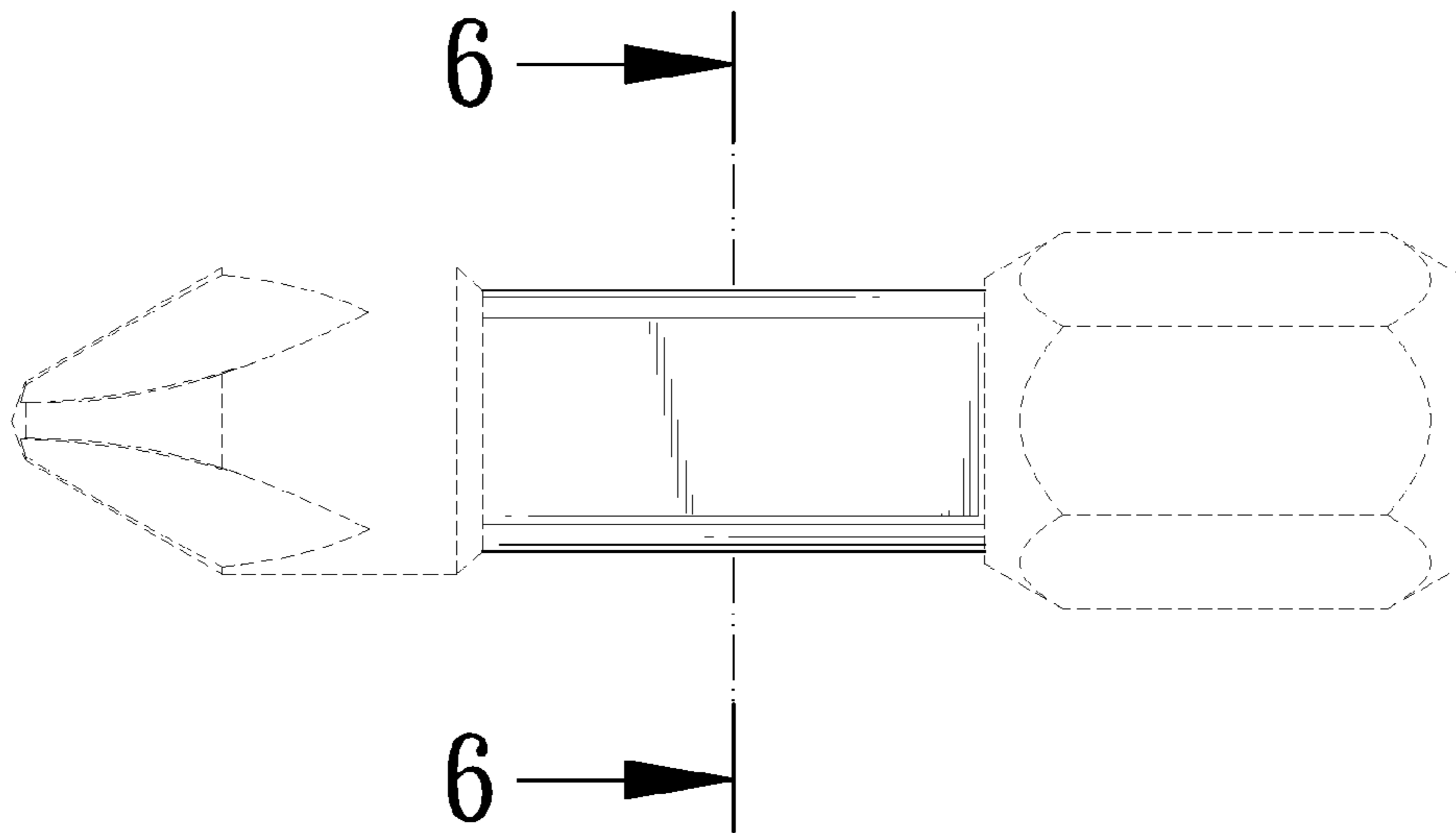


FIG. 2

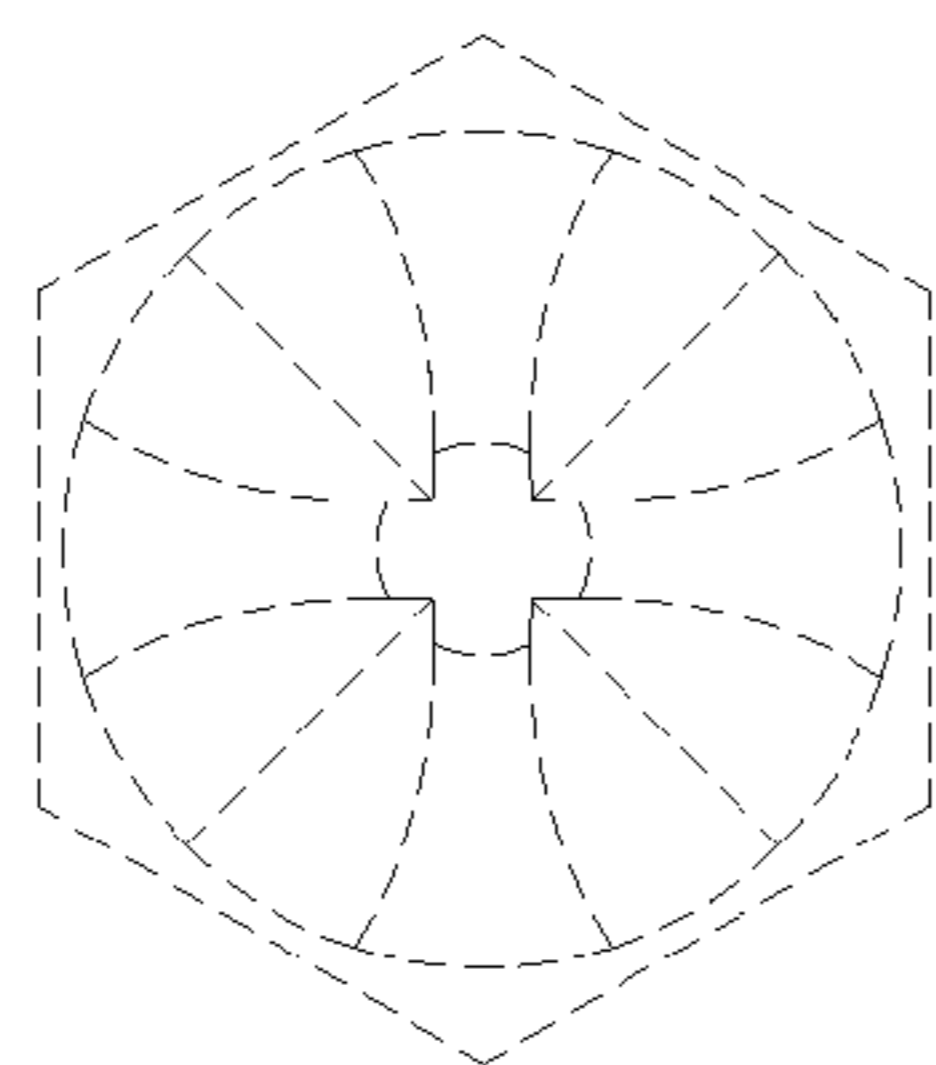


FIG. 3

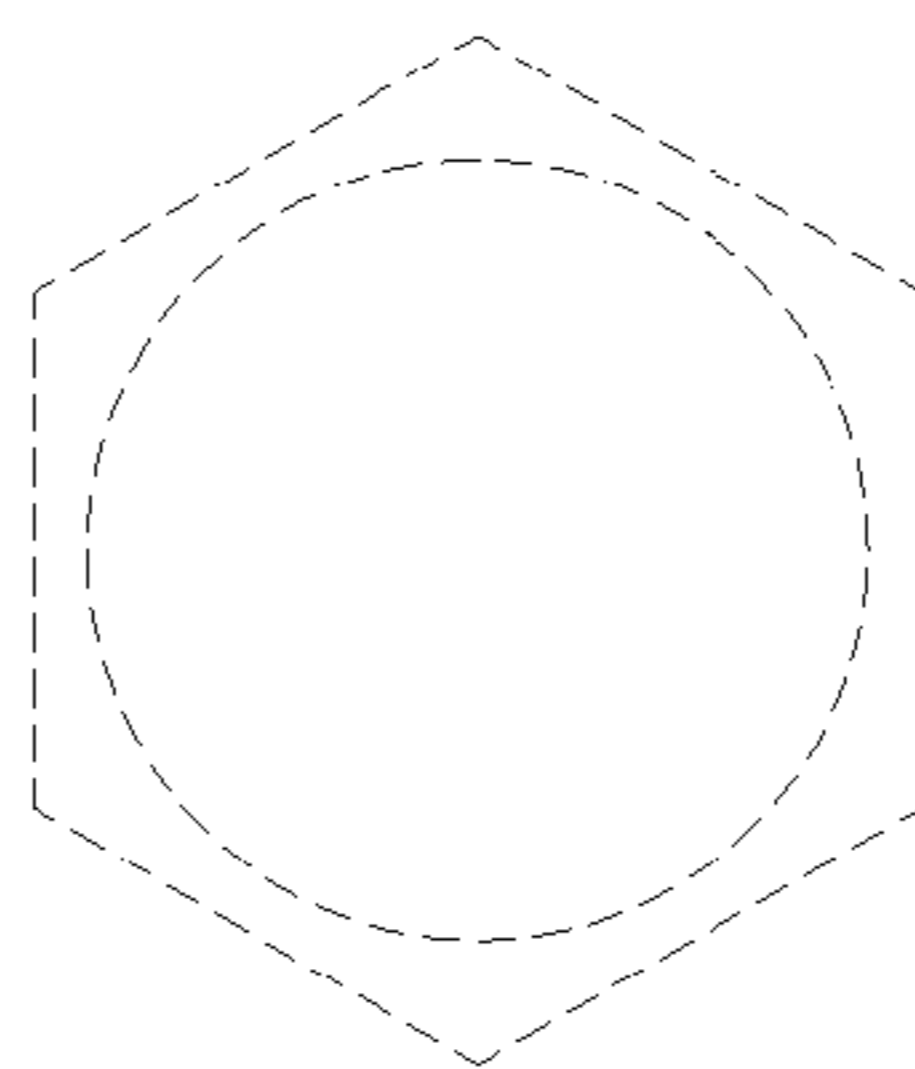


FIG. 4

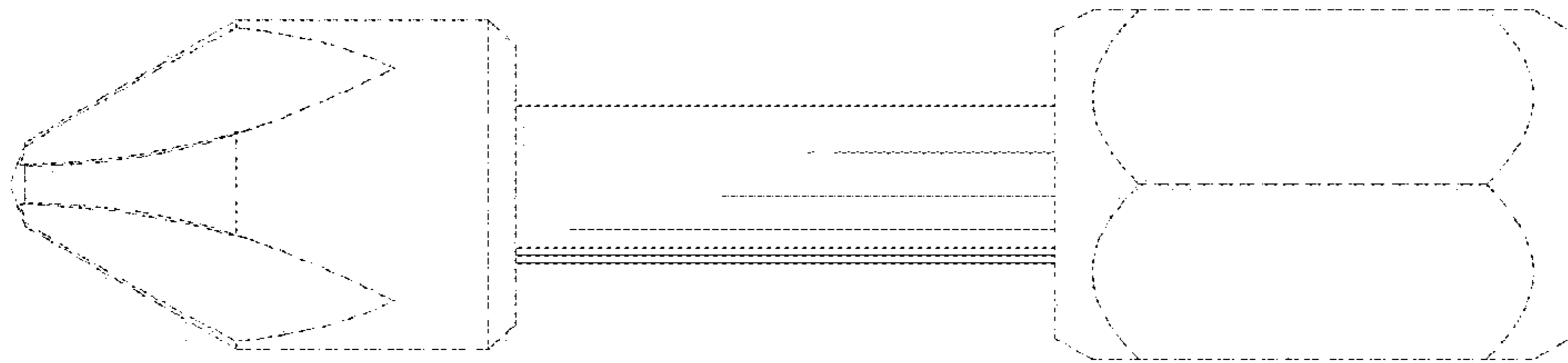


FIG. 5

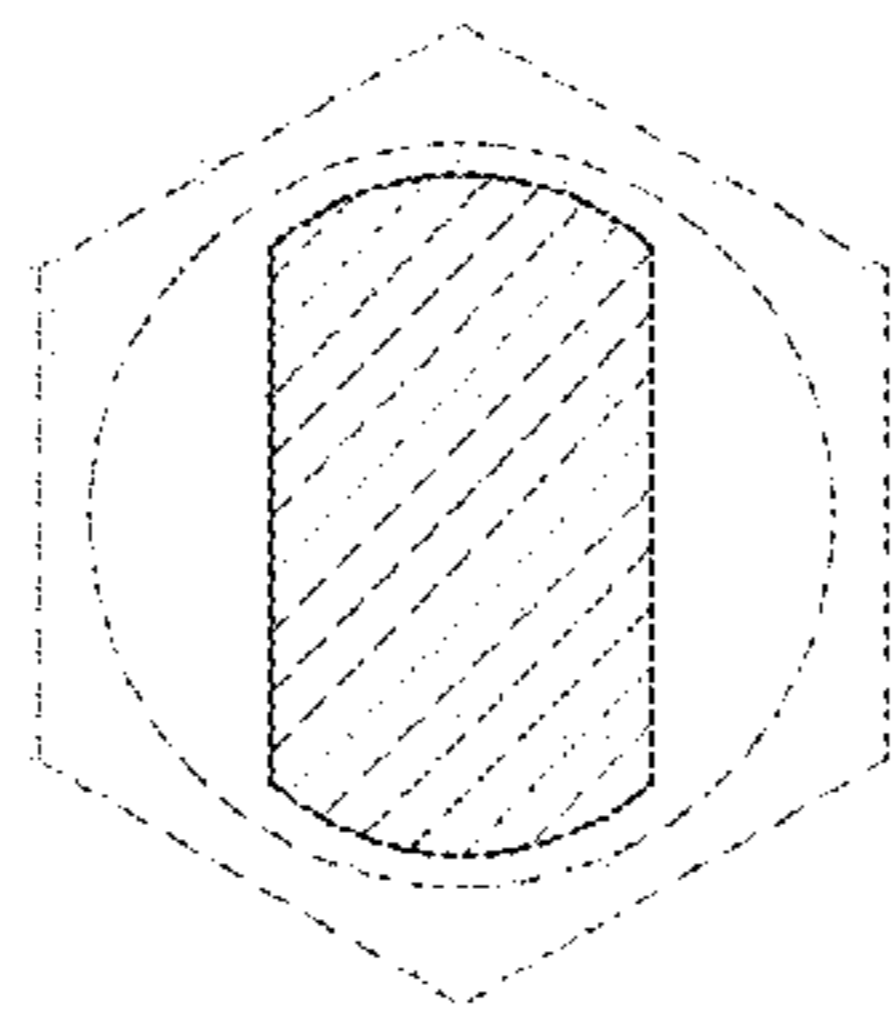


FIG. 6