



US00D716628S

(12) **United States Design Patent**
West

(10) **Patent No.:** **US D716,628 S**

(45) **Date of Patent:** **** Nov. 4, 2014**

- (54) **HAMMER**
- (71) Applicant: **Estwing Manufacturing Company, Inc.**, Rockford, IL (US)
- (72) Inventor: **Joshua West**, Rockford, IL (US)
- (73) Assignee: **Estwing Manufacturing Company, Inc.**, Rockford, IL (US)

- 6,176,156 B1 1/2001 Coonrad
- 6,196,088 B1 3/2001 Youngren
- 6,202,511 B1 3/2001 Murray et al.
- D442,048 S 5/2001 Coonrad
- D446,102 S 8/2001 Chen
- D449,770 S 10/2001 Chen
- D455,626 S 4/2002 Chen
- 6,363,817 B1 4/2002 Lamond et al.
- 6,370,986 B1 4/2002 Scott
- 6,386,070 B1 5/2002 Hong

(Continued)

(**) Term: **14 Years**

OTHER PUBLICATIONS

(21) Appl. No.: **29/433,745**

Estwing Ultra Hammer. Snagged Mar. 23, 2014 at <http://toolguyd.com/estwing-ultra-hammer/>.*

(22) Filed: **Oct. 4, 2012**

(Continued)

(51) **LOC (10) Cl.** **08-02**

(52) **U.S. Cl.**
USPC **D8/78**

(58) **Field of Classification Search**
USPC D8/75-81; 81/19-246; 76/103; 125/40
See application file for complete search history.

Primary Examiner — Phillip S Hyder
Assistant Examiner — Roselynn Cody
(74) *Attorney, Agent, or Firm* — Quarles & Brady LLP

(57) **CLAIM**

The ornamental design for a hammer, as shown and described.

(56) **References Cited**

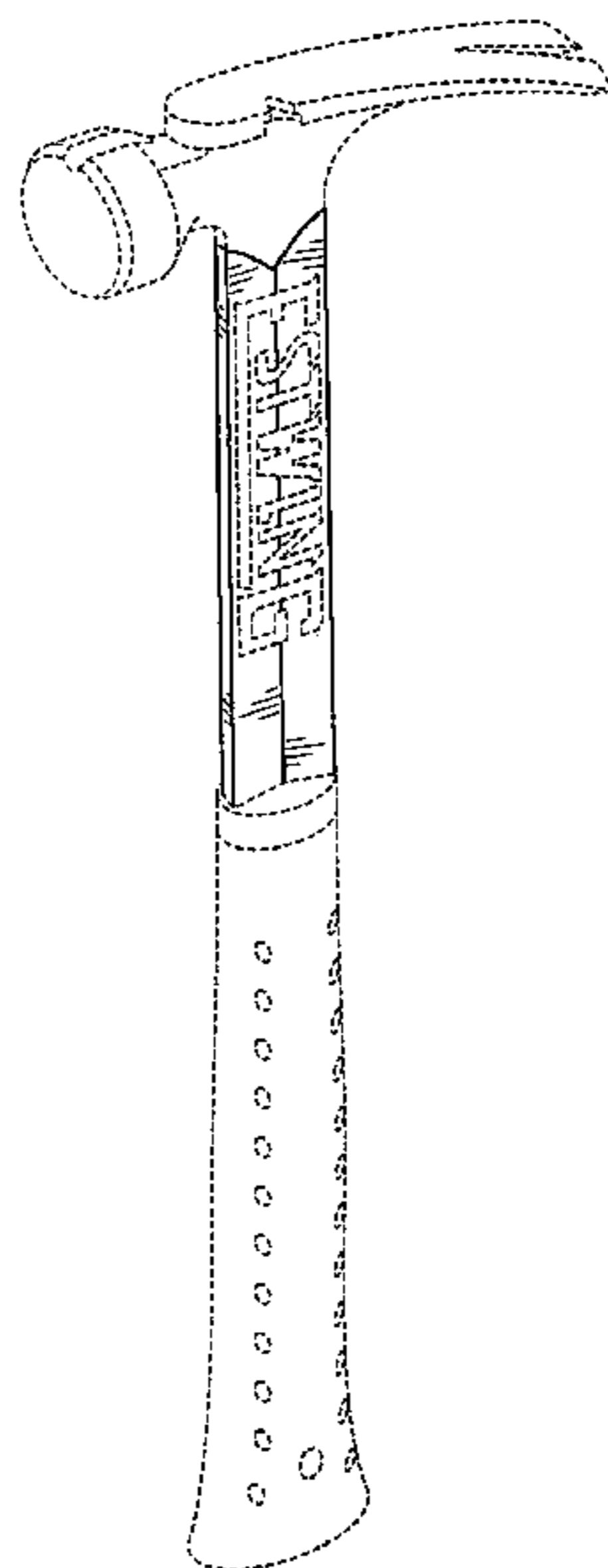
DESCRIPTION

U.S. PATENT DOCUMENTS

- 4,561,635 A 12/1985 Lamansky
- 4,669,342 A 6/1987 Wilson
- 4,738,166 A 4/1988 Yamaguchi
- D325,863 S 5/1992 Chen
- 5,315,725 A 5/1994 Vanden Heuvel
- 5,588,343 A 12/1996 Rust et al.
- 5,768,956 A 6/1998 Coonrad
- 5,845,364 A 12/1998 Chen
- 5,860,334 A 1/1999 Coonrad
- 5,926,911 A 7/1999 Chen
- 5,988,019 A 11/1999 Coonrad
- D420,268 S 2/2000 Coonrad
- 6,095,497 A 8/2000 Chen
- D432,380 S 10/2000 Goble et al.
- 6,125,719 A 10/2000 Lowther et al.
- 6,131,488 A 10/2000 Coonrad

FIG. 1 is an isometric view of a front, top, and left side of an ornamental design for a hammer;
FIG. 2 is a left side elevational view of the hammer of FIG. 1;
FIG. 3 is a right side elevational view of the hammer of FIG. 1;
FIG. 4 is a rear elevational view of the hammer of FIG. 1;
FIG. 5 is a front elevational view of the hammer of FIG. 1;
FIG. 6 is a top plan view of the hammer of FIG. 1; and,
FIG. 7 is a bottom plan view of the hammer of FIG. 1.
The broken lines are for the purpose of illustrating environmental structure and form no part of the claimed design.

1 Claim, 5 Drawing Sheets



(56)

References Cited

U.S. PATENT DOCUMENTS

6,405,616 B1 6/2002 Chen
 6,460,430 B2 10/2002 Coonrad
 6,477,922 B1 11/2002 Burnett
 6,494,119 B1 12/2002 Coonrad
 D478,264 S 8/2003 Chen
 D478,265 S 8/2003 Chen
 6,609,443 B2 8/2003 Murray
 6,615,691 B2 9/2003 Coonrad
 6,619,408 B1 9/2003 Lai
 6,629,684 B2 10/2003 Youngren et al.
 6,763,747 B1 7/2004 Gierer et al.
 6,799,359 B2 10/2004 Coonrad
 6,866,247 B2 3/2005 Thompson
 6,923,432 B1 8/2005 Martinez
 6,959,917 B2 11/2005 Hernandez et al.
 6,976,406 B2 12/2005 Youngren et al.
 D519,348 S 4/2006 Chen
 D521,342 S 5/2006 Youngren
 7,062,809 B2 6/2006 Sheffield
 7,090,197 B2 8/2006 Stewart
 D531,001 S 10/2006 Chen
 D540,646 S 4/2007 Youngren
 D549,064 S 8/2007 Youngren et al.
 D549,066 S 8/2007 Youngren et al.
 D551,529 S 9/2007 Youngren et al.
 D562,101 S 2/2008 Martone et al.
 D567,620 S 4/2008 Martone et al.

7,367,545 B1 5/2008 Chen
 7,458,903 B2 12/2008 Wang et al.
 D595,555 S 7/2009 Vanderbeek
 7,587,791 B2 9/2009 Liou
 D601,398 S * 10/2009 Youngren et al. D8/78
 D604,136 S * 11/2009 Youngren et al. D8/78
 D605,020 S 12/2009 Martone et al.
 7,774,882 B2 8/2010 Liou
 7,818,843 B2 10/2010 Kinsky et al.
 D628,870 S 12/2010 Jerabek et al.
 7,874,231 B2 1/2011 Hanlon
 8,024,994 B2 9/2011 St. John et al.
 8,047,099 B2 11/2011 St. John et al.
 8,056,443 B2 11/2011 Hanlon
 8,261,634 B2 9/2012 St. John et al.
 2001/0000885 A1 5/2001 Beuershausen et al.
 2006/0037439 A1 2/2006 Chen
 2006/0207391 A1 9/2006 Chen

OTHER PUBLICATIONS

DeWalt product pages of a hammer from Home Depot website [online] [retrieved on Dec. 18, 2012], 2 pages. Retrieved from <URL: http://www.homedepot.com/h_d1/N-5yclv/R-202710524/h_d2/ProductDisplay?catalogId=10053&langId=-1&keyword=dewalt+hammer&storeId=10051#>.
 Stanley Works product page for FatMax Antivibe® hammers [online] [retrieved on Mar. 13, 2013], 1 page. Retrieved from <URL: <http://www.stanleytools.com/xhtml/literature/T5305.pdf>>.

* cited by examiner

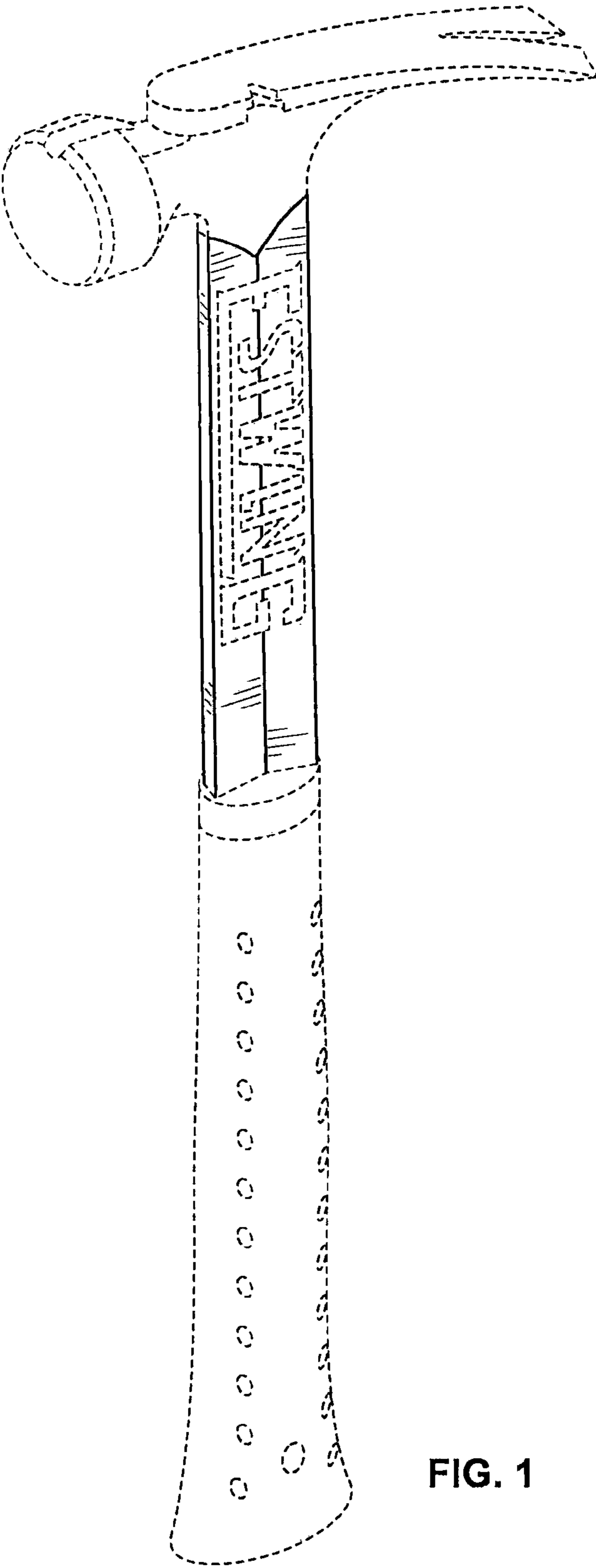


FIG. 1

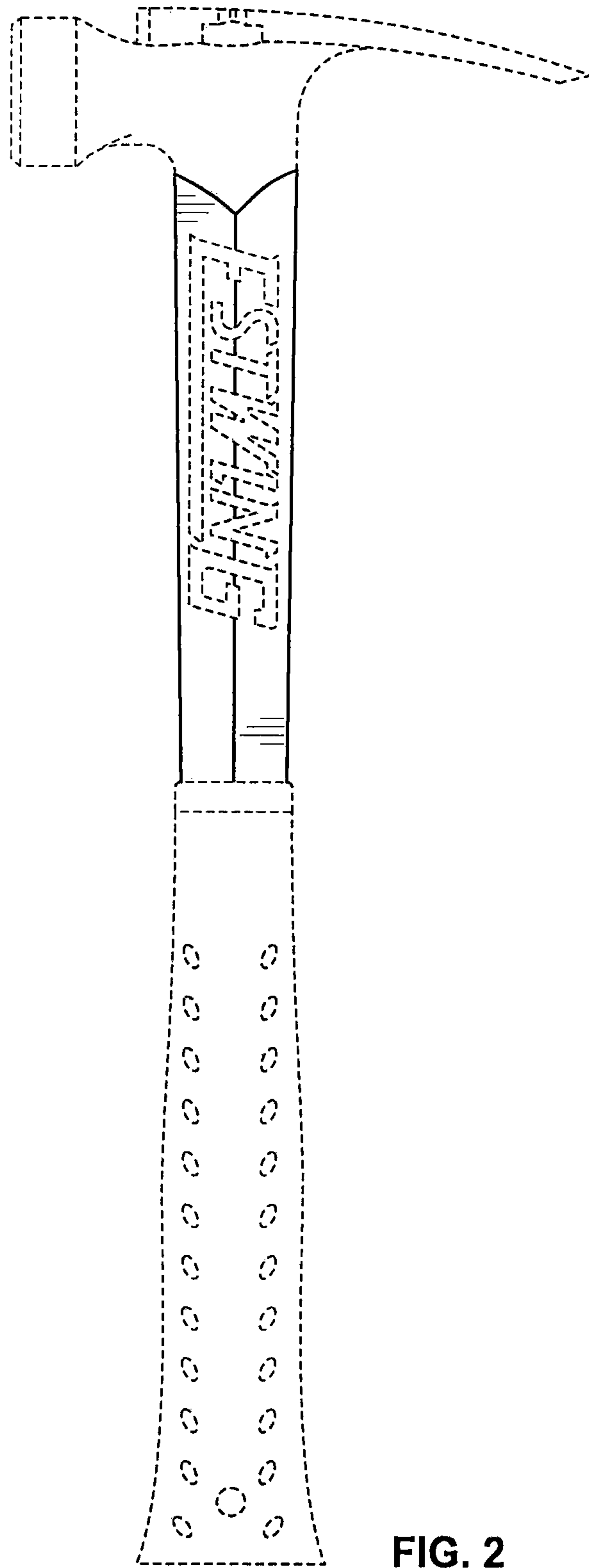


FIG. 2

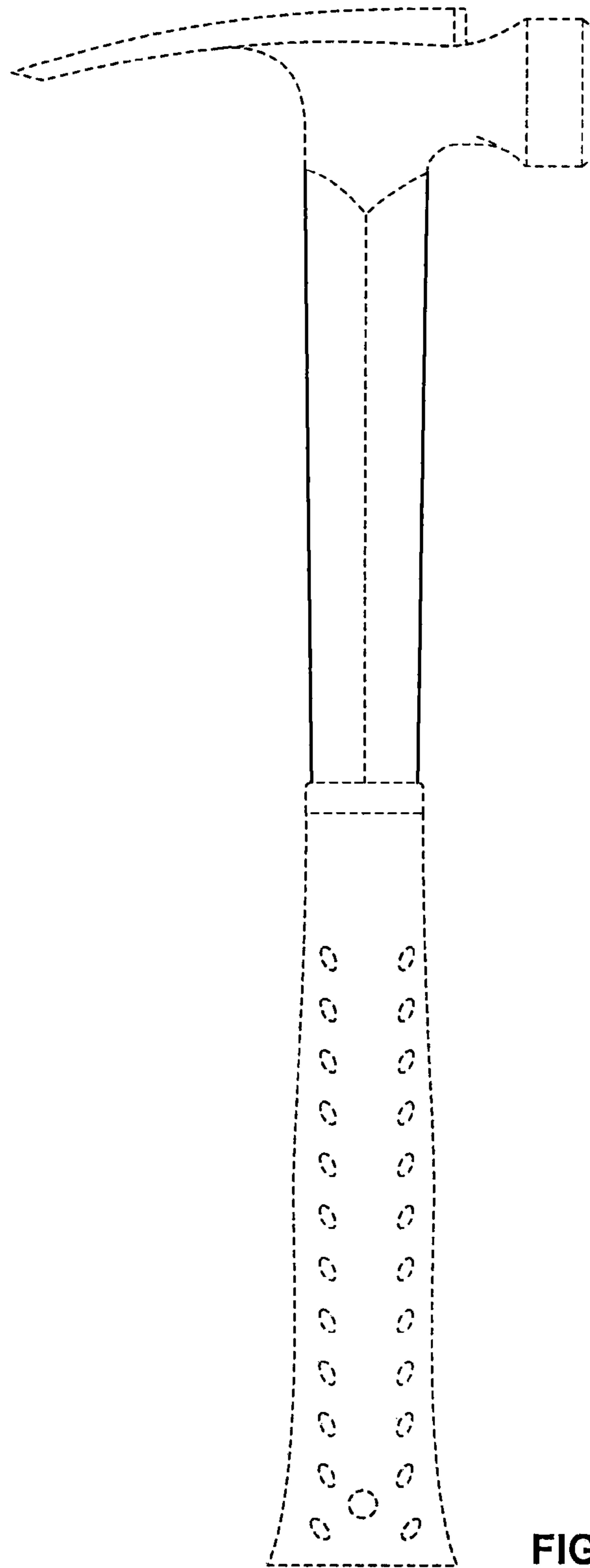


FIG. 3

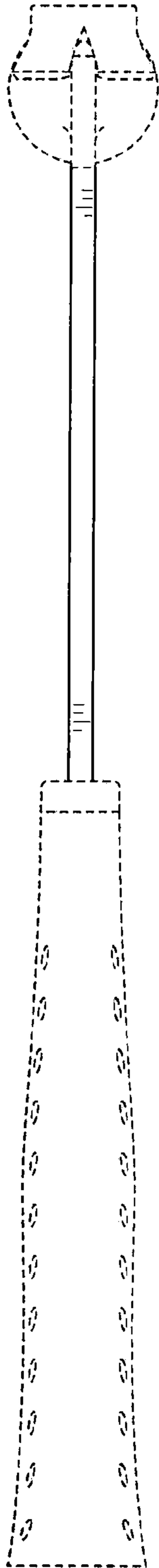


FIG. 4

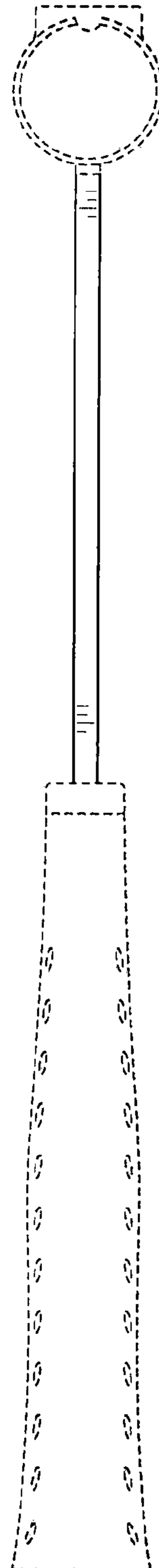


FIG. 5

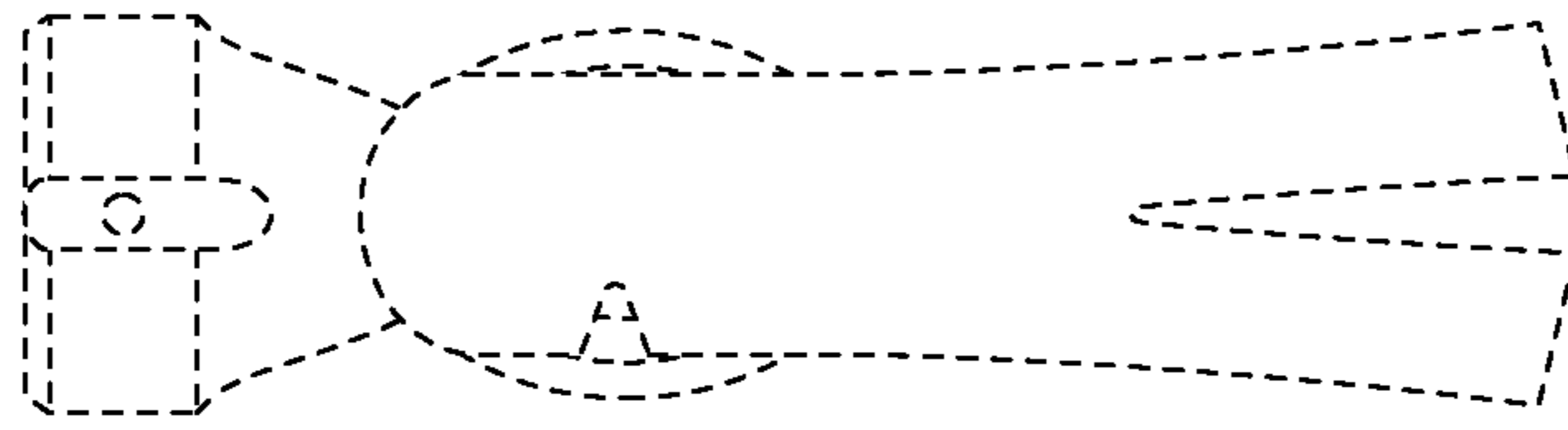


FIG. 6

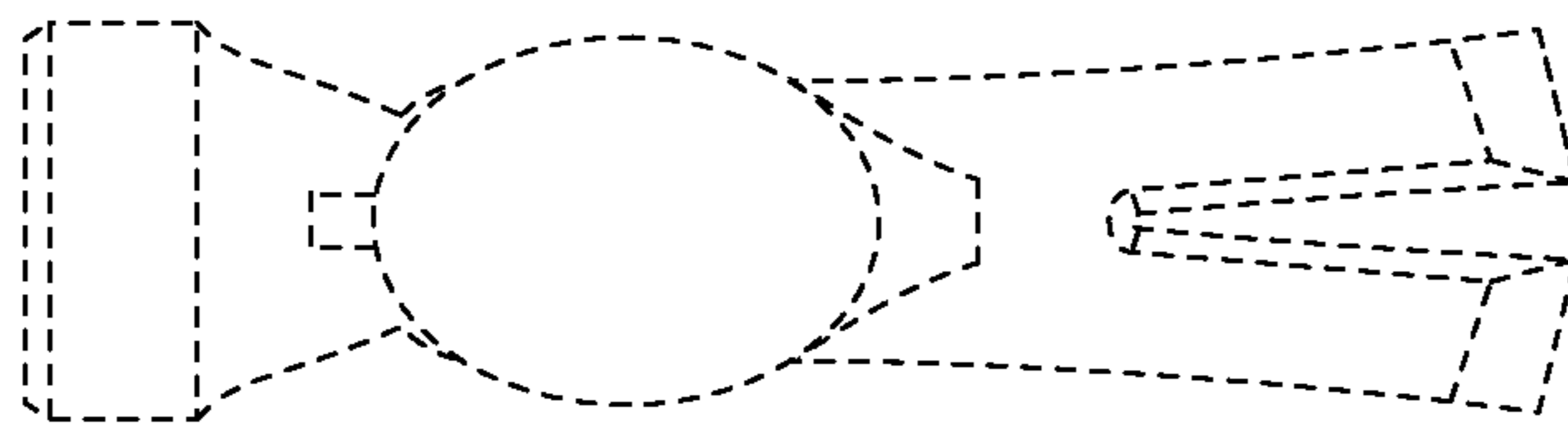


FIG. 7