



US00D716627S

(12) **United States Design Patent**
Lin

(10) **Patent No.:** **US D716,627 S**

(45) **Date of Patent:** **** Nov. 4, 2014**

(54) **WISE**

(71) Applicant: **Hsi-Shui Lin**, Taichung (TW)

(72) Inventor: **Hsi-Shui Lin**, Taichung (TW)

(**) Term: **14 Years**

(21) Appl. No.: **29/459,302**

(22) Filed: **Jun. 28, 2013**

(51) **LOC (10) CI.** **08-05**

(52) **U.S. CI.**
USPC **D8/74**

(58) **Field of Classification Search**
USPC D8/71-74, 394, 59; 248/72, 689, 124.2;
81/487; 269/3, 4, 6, 143, 165, 240,
269/243, 246-249, 254 R, 147-149; 29/256,
29/257, 276; 408/103, 104-109
See application file for complete search history.

(56) **References Cited**

U.S. PATENT DOCUMENTS

D254,376 S * 3/1980 Glomb et al. D8/74
D255,643 S * 7/1980 Speiser et al. D8/74
D355,114 S * 2/1995 Wizman D8/71

D417,599 S * 12/1999 Wolfe et al. D8/74
D421,208 S * 2/2000 Lavigne et al. D8/74
D435,772 S * 1/2001 Lavigne et al. D8/74
D437,200 S * 2/2001 Lavigne et al. D8/74
6,361,034 B1 * 3/2002 Wolfe 269/247
D640,521 S * 6/2011 Tschida et al. D8/74
D646,543 S * 10/2011 Galle D8/74
D647,381 S * 10/2011 Lin et al. D8/74
D682,653 S * 5/2013 Coope et al. D8/74
D685,827 S * 7/2013 Sun D8/74

* cited by examiner

Primary Examiner — David Muller

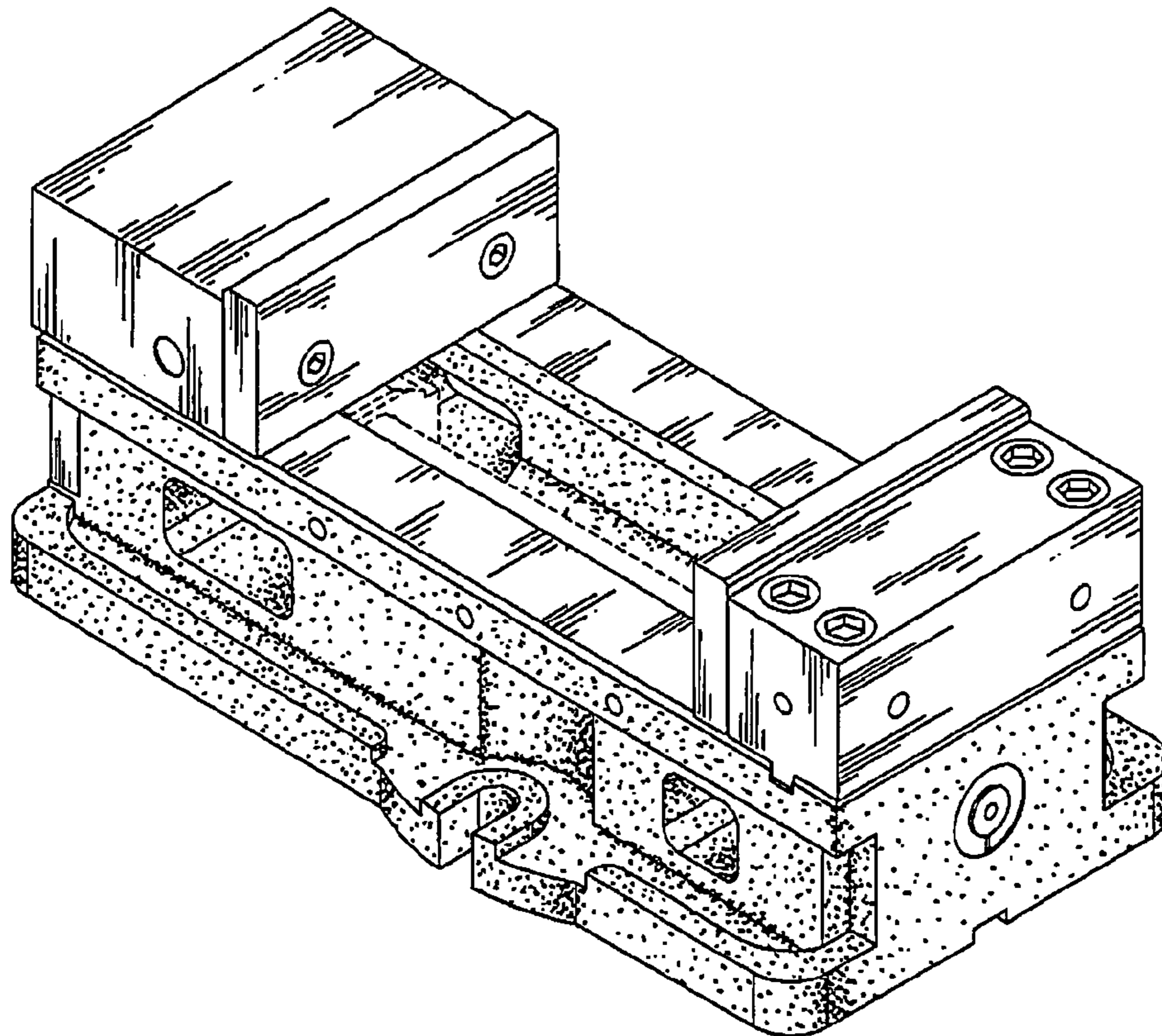
(57) **CLAIM**
The ornamental design for a vise, as shown and described.

DESCRIPTION

FIG. 1 is a perspective view of a vise showing my new design;
FIG. 2 is a front elevational view thereof;
FIG. 3 is a rear elevational view thereof;
FIG. 4 is a left side elevational view thereof;
FIG. 5 is a right side elevational view thereof;
FIG. 6 is a top plan view thereof; and,
FIG. 7 is a bottom plan view thereof.

The broken line showing of parts of the drawings is included for the purpose of illustrating use and environment and forms no part of the claimed design.

1 Claim, 7 Drawing Sheets



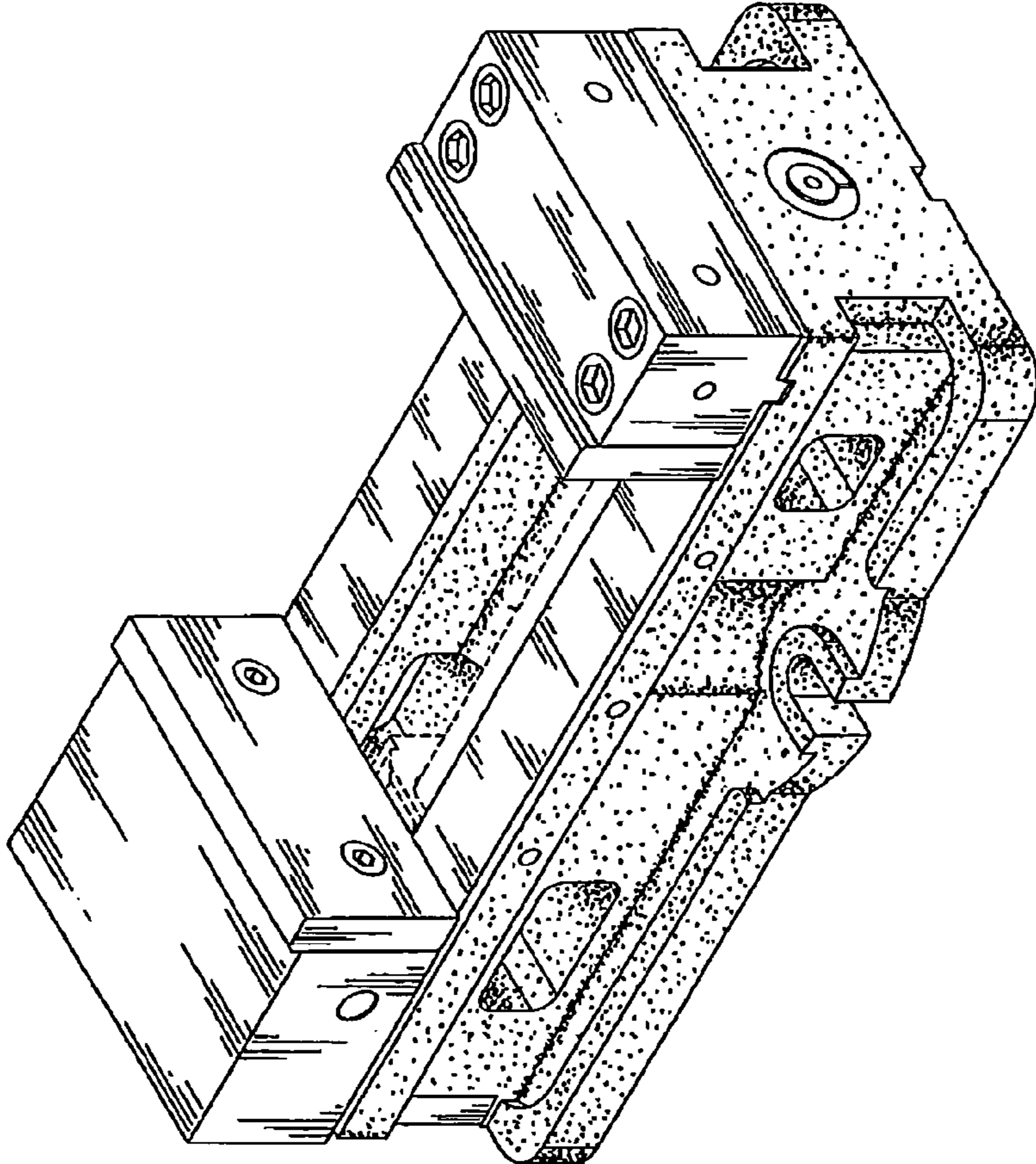


FIG.1

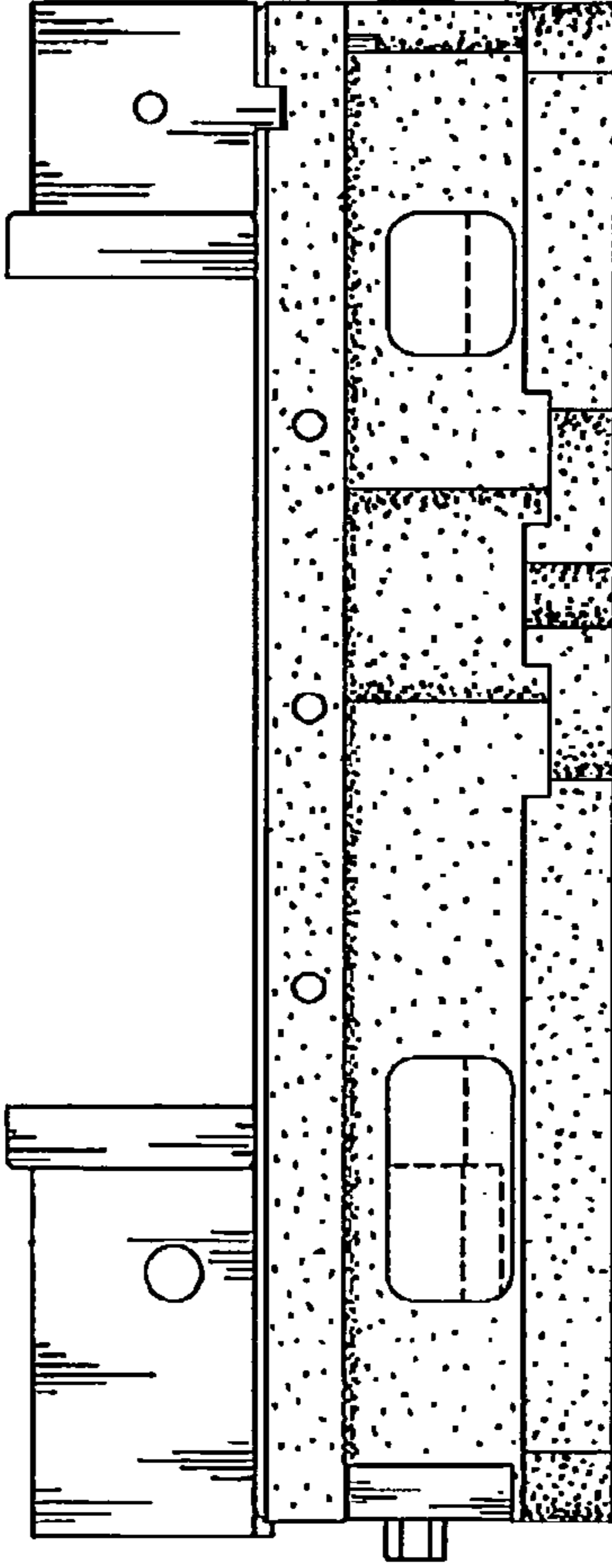


FIG.2

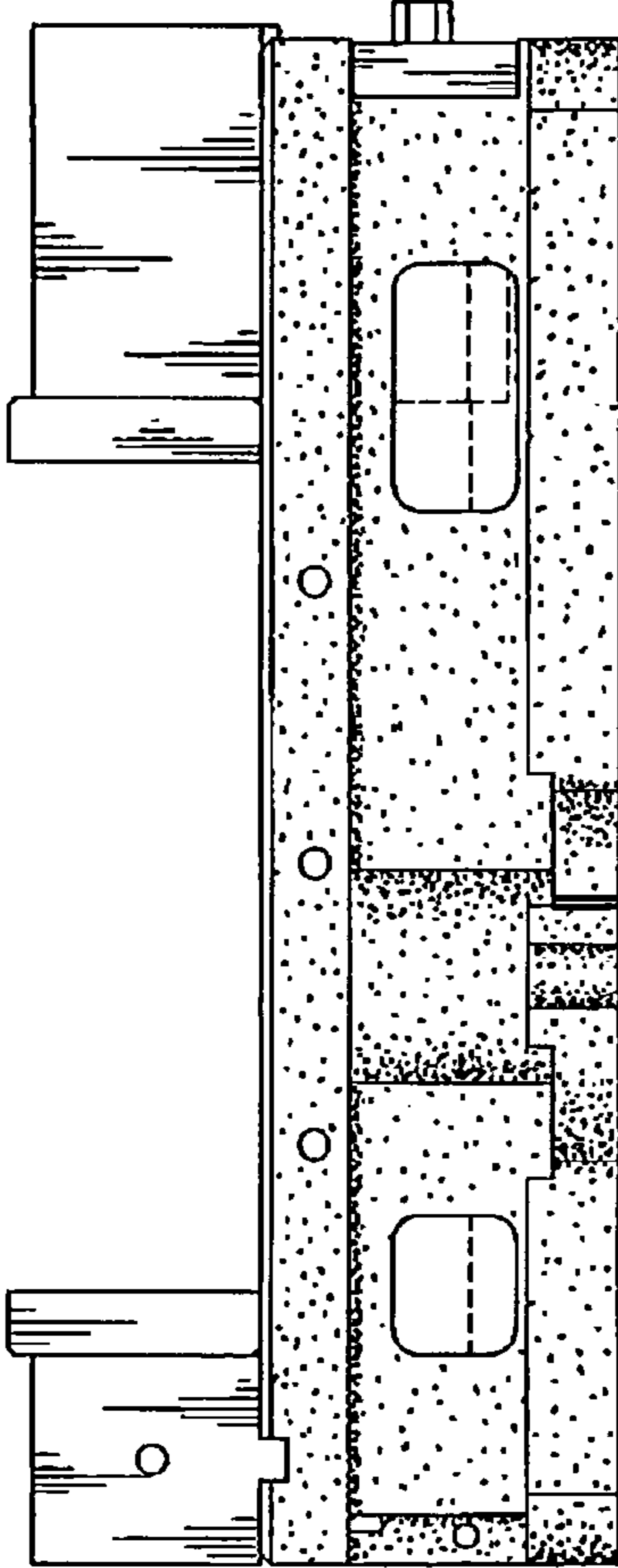


FIG.3

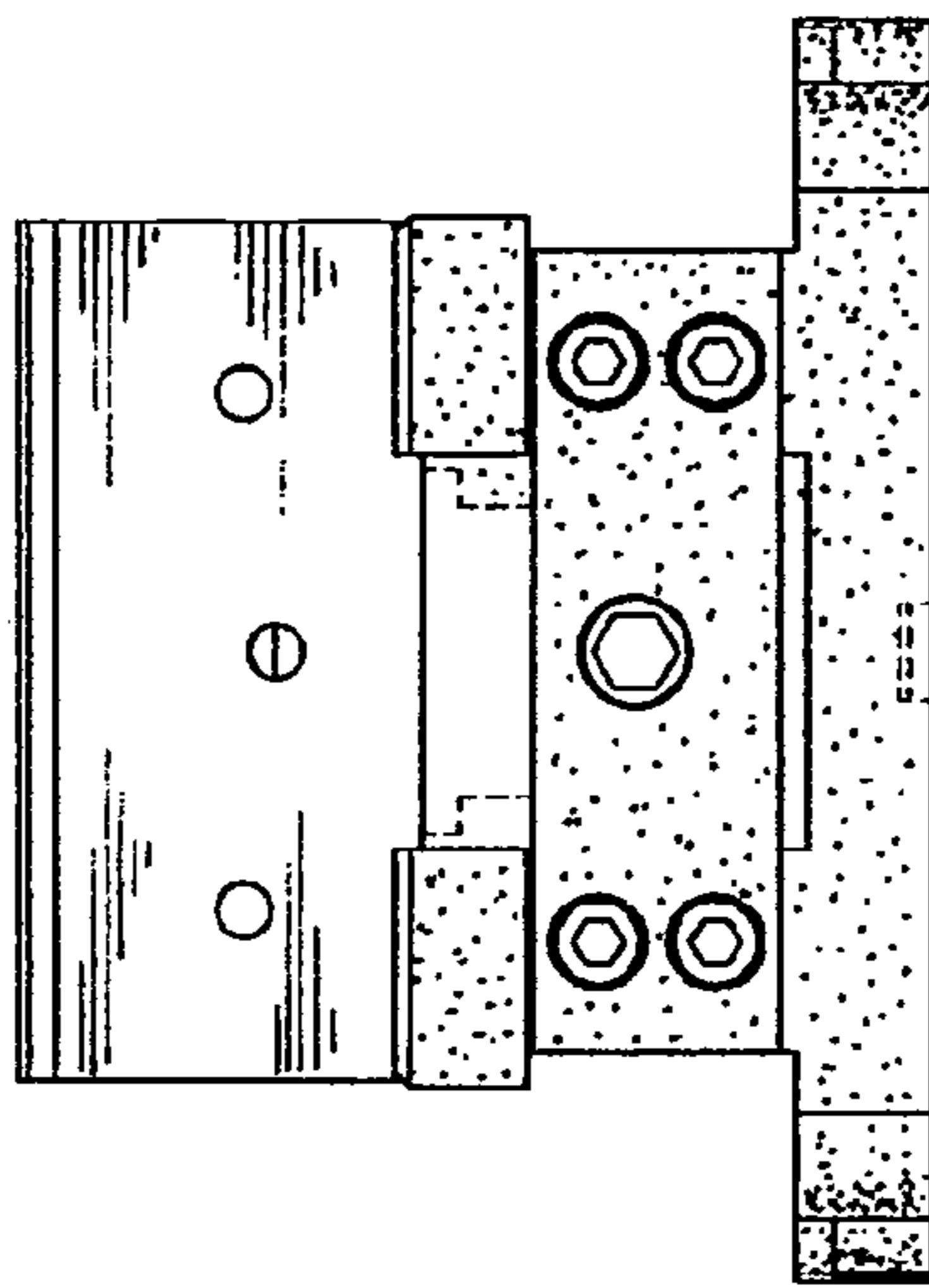


FIG.4

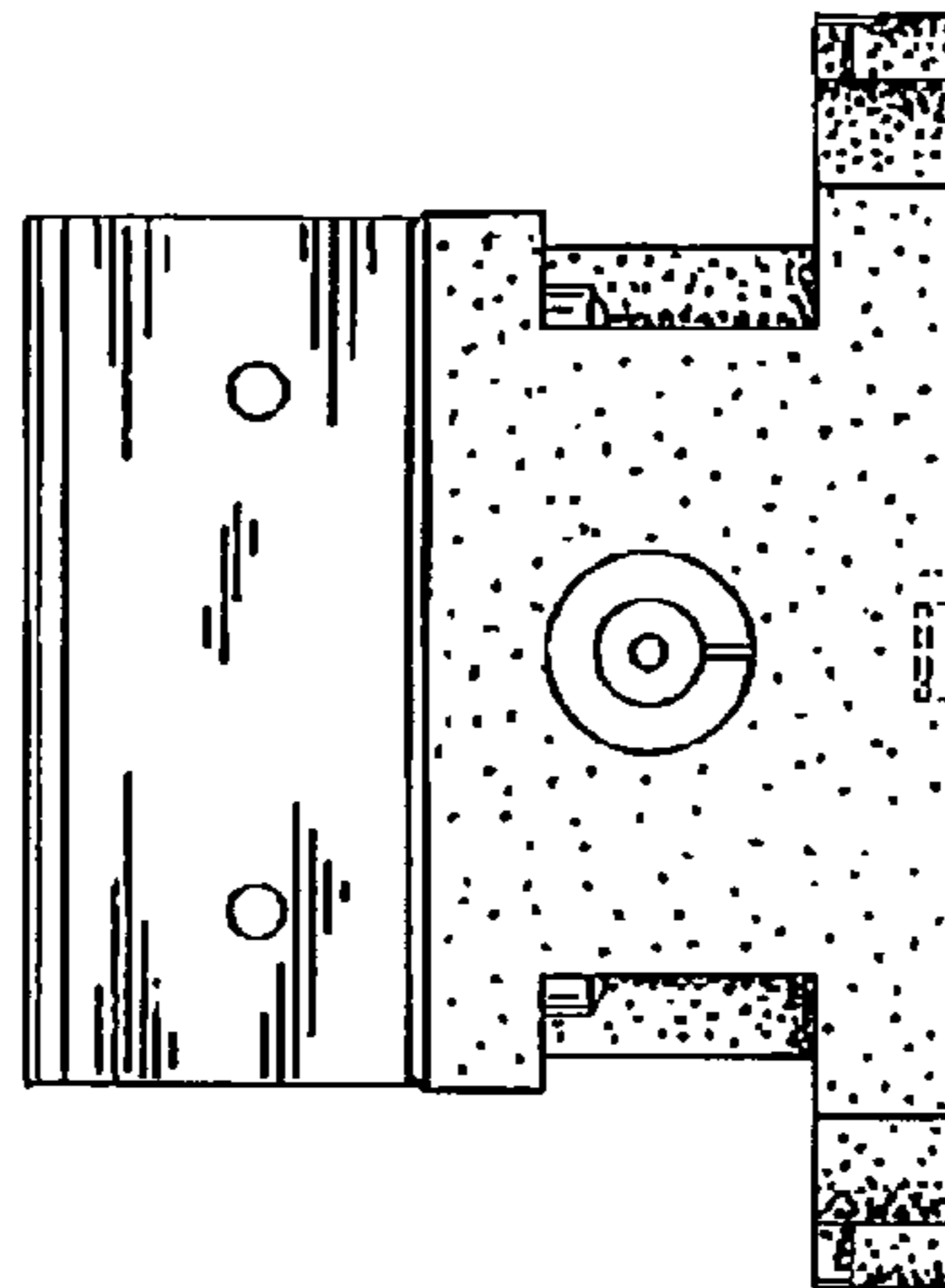


FIG. 5

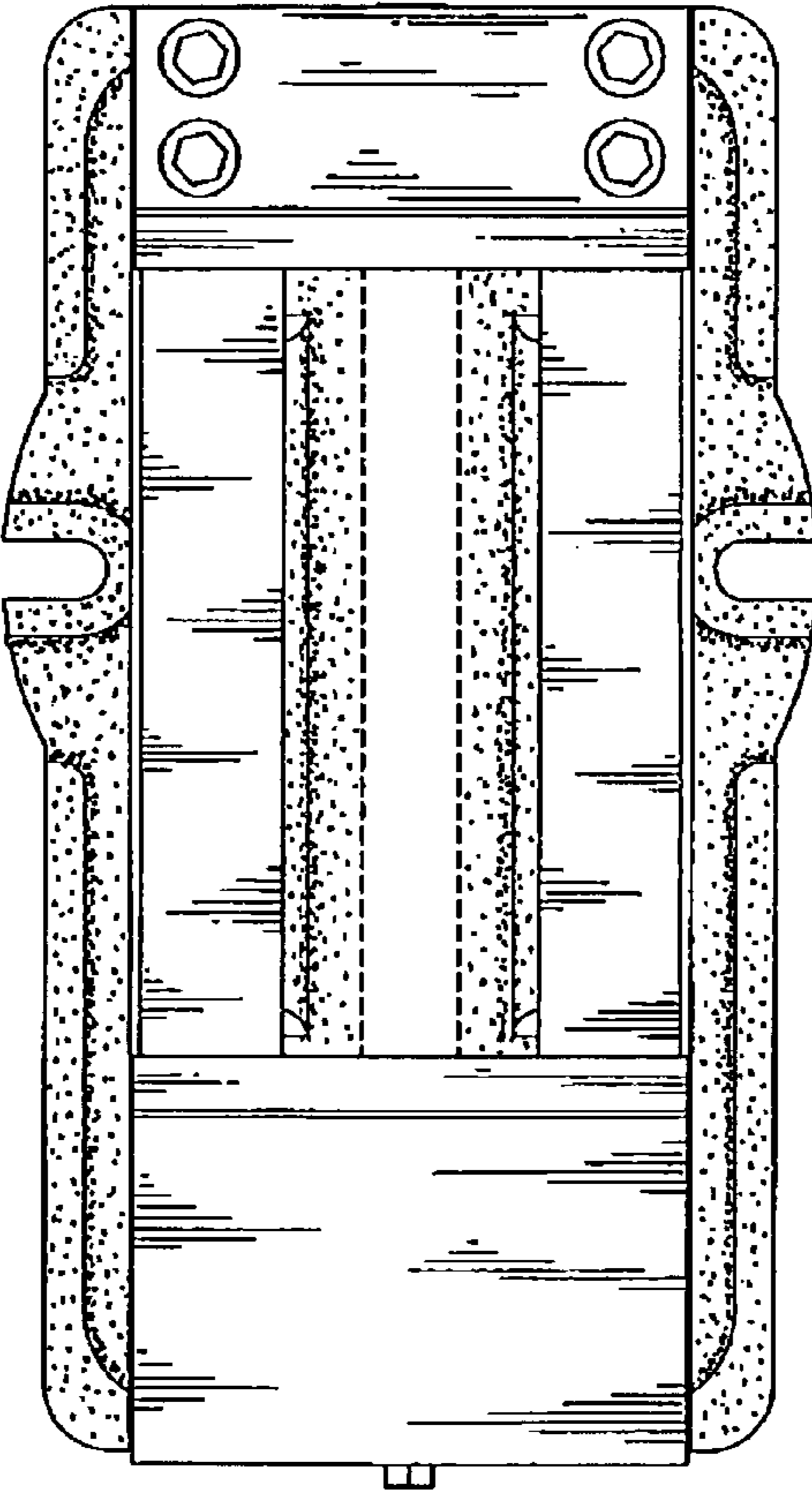


FIG.6

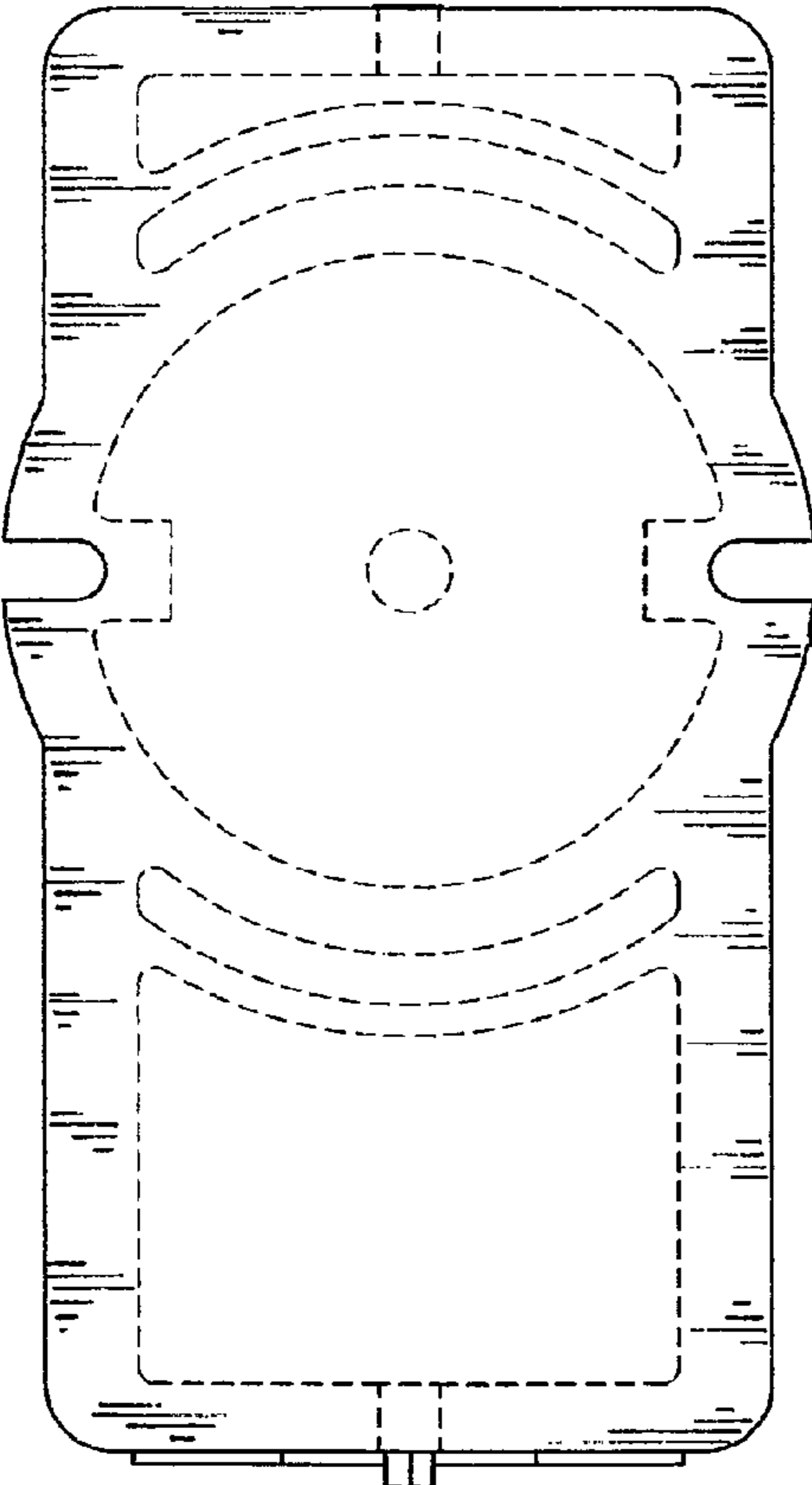


FIG.7