



US00D716626S

(12) **United States Design Patent**
Sell et al.

(10) **Patent No.:** **US D716,626 S**

(45) **Date of Patent:** **** Nov. 4, 2014**

(54) **DRILL**

(71) Applicant: **Black & Decker Inc.**, Newark, DE (US)

(72) Inventors: **Stefan Sell**, Mainz (DE); **Isabell Rosenau**, Frankfurt am Main (DE)

(73) Assignee: **Black & Decker Inc.**, Newark, DE (US)

(**) Term: **14 Years**

(21) Appl. No.: **29/470,899**

(22) Filed: **Oct. 25, 2013**

(30) **Foreign Application Priority Data**

May 2, 2013 (EM) 001369953

(51) **LOC (10) Cl.** **08-04**

(52) **U.S. Cl.**
USPC **D8/69**

(58) **Field of Classification Search**
USPC D8/14.1, 61-70; 81/429, 454-456, 469,
81/489; 173/104, 114, 168-171, 178, 201,
173/211, 213, 217; 408/20, 124, 125, 234;
388/809

See application file for complete search history.

(56) **References Cited**

U.S. PATENT DOCUMENTS

D491,438 S * 6/2004 Cheung et al. D8/68
D525,849 S * 8/2006 Hayakawa et al. D8/69
D555,451 S * 11/2007 Okuda et al. D8/69
D575,606 S * 8/2008 Okouchi et al. D8/69
D581,235 S * 11/2008 Aglassinger D8/69
D587,547 S * 3/2009 Aglassinger D8/69
D592,028 S * 5/2009 Taniguchi et al. D8/69

D595,101 S * 6/2009 Bast D8/68
D604,583 S * 11/2009 Yamamoto et al. D8/69
D610,478 S * 2/2010 Bast D10/69
D618,529 S * 6/2010 Stirm D8/69
D663,183 S * 7/2012 Sell D8/69
2009/0301746 A1 * 12/2009 Robieu 173/217

OTHER PUBLICATIONS

“Bosch GBH Professional—36 V-LI/36 VF-LI”. Tool Stop., Aug. 9, 2008 [online], [retrieved on Mar. 11, 2014]. Retrieved from the Internet <URL: http://www.toolstop.co.uk/media/ren_48aa9dc797862GBH36edited.pdf>.*

“Milwaukee Heavy-Duty Rotary Hammers and Demolition Hammers”. Milwaukee Operators Manual., Sep. 3, 2010 [online], [retrieved on Mar. 11, 2014]. Retrieved from the Internet <URL: <http://documents.milwaukeeetool.com/58-14-5426d3.pdf>>.*

* cited by examiner

Primary Examiner — Philip S Hyder

Assistant Examiner — Darlington Ly

(74) *Attorney, Agent, or Firm* — Gabriel A. Haboubi

(57) **CLAIM**

The ornamental design for a drill, as shown and described.

DESCRIPTION

FIG. 1 is a right front perspective view of our new design.

FIG. 2 is a left side view thereof.

FIG. 3 is a right side view thereof.

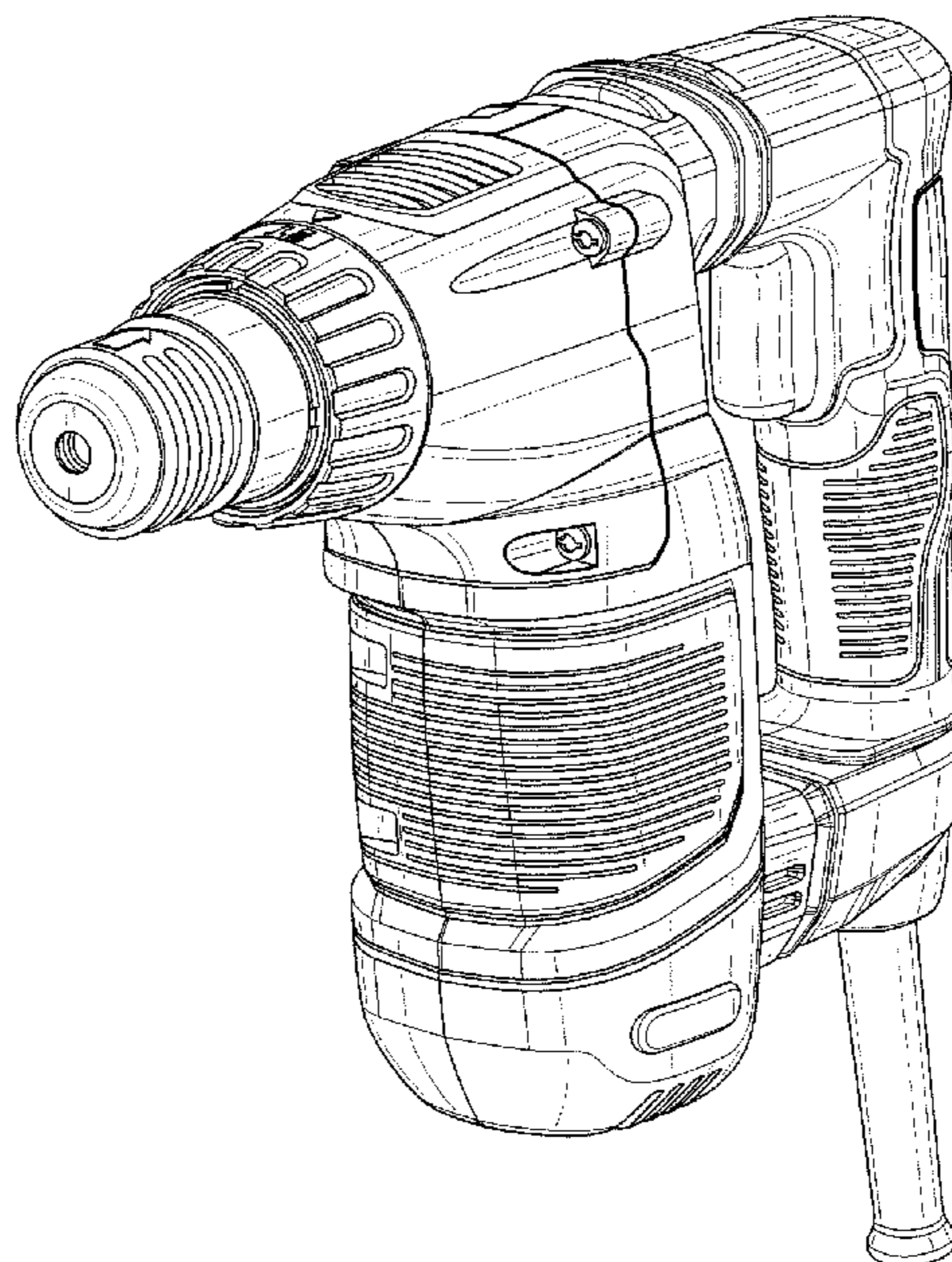
FIG. 4 is a bottom view thereof.

FIG. 5 is a top view thereof.

FIG. 6 is a front view thereof; and,

FIG. 7 is a rear view thereof.

1 Claim, 7 Drawing Sheets



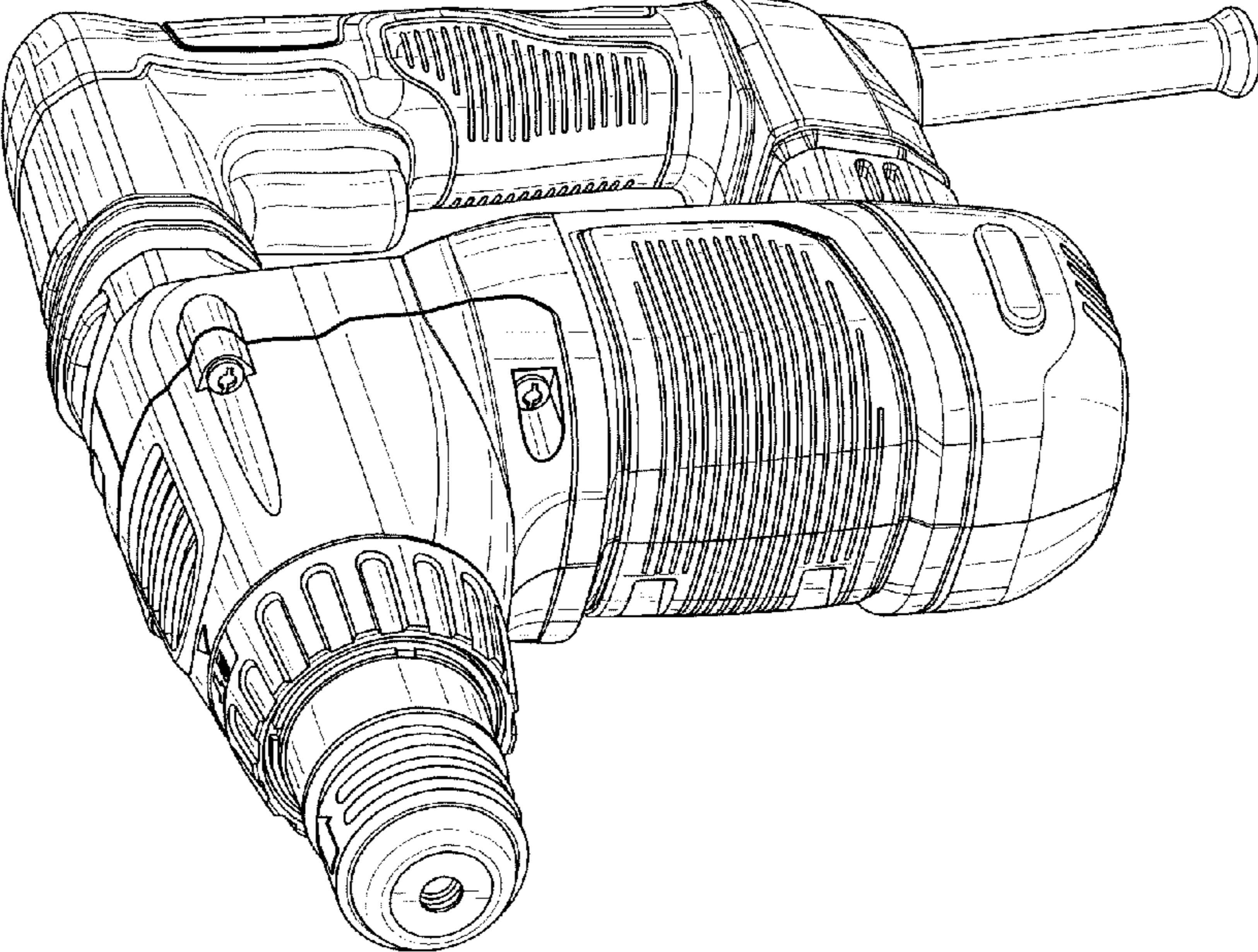


FIG. 1

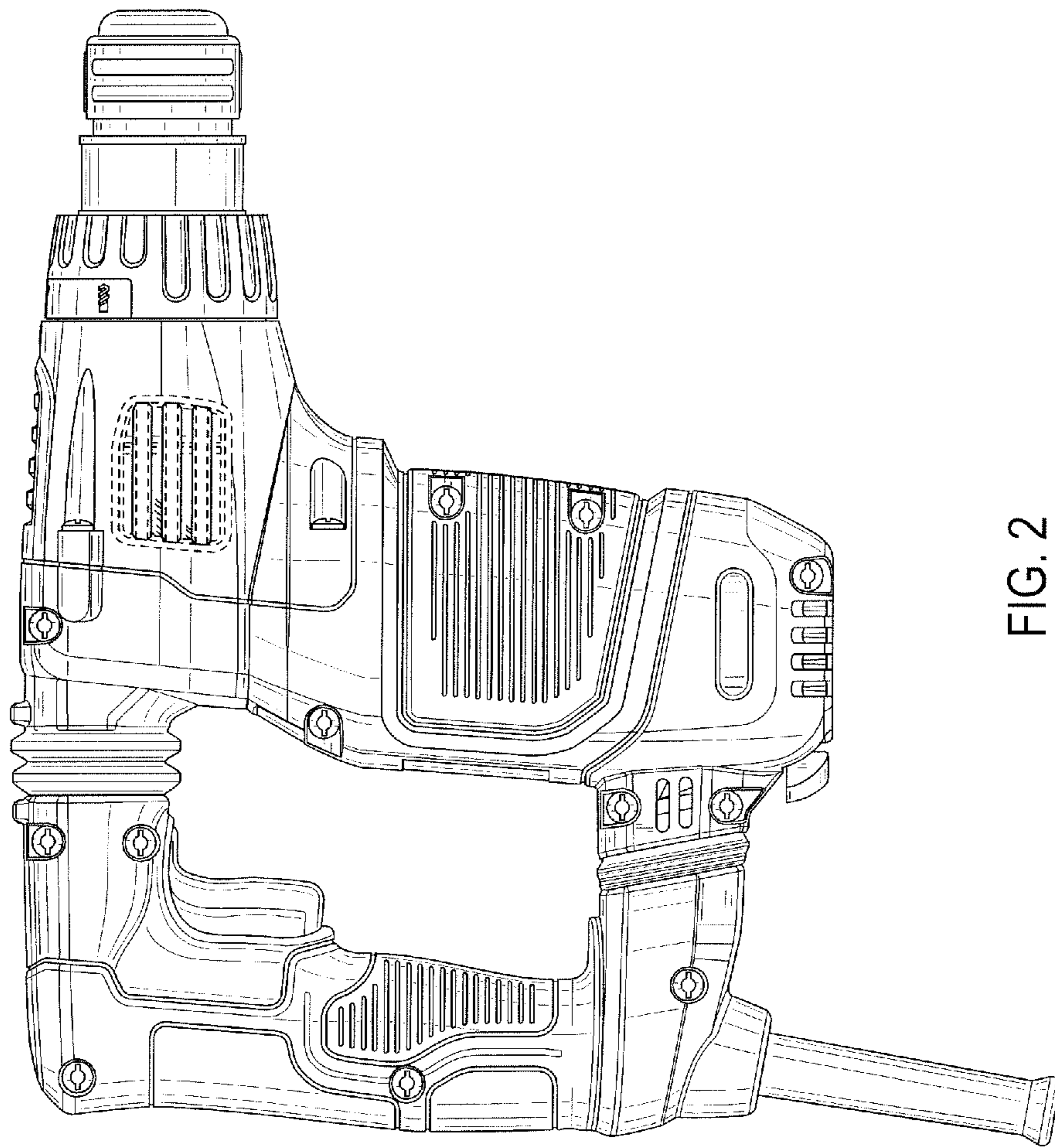


FIG. 2

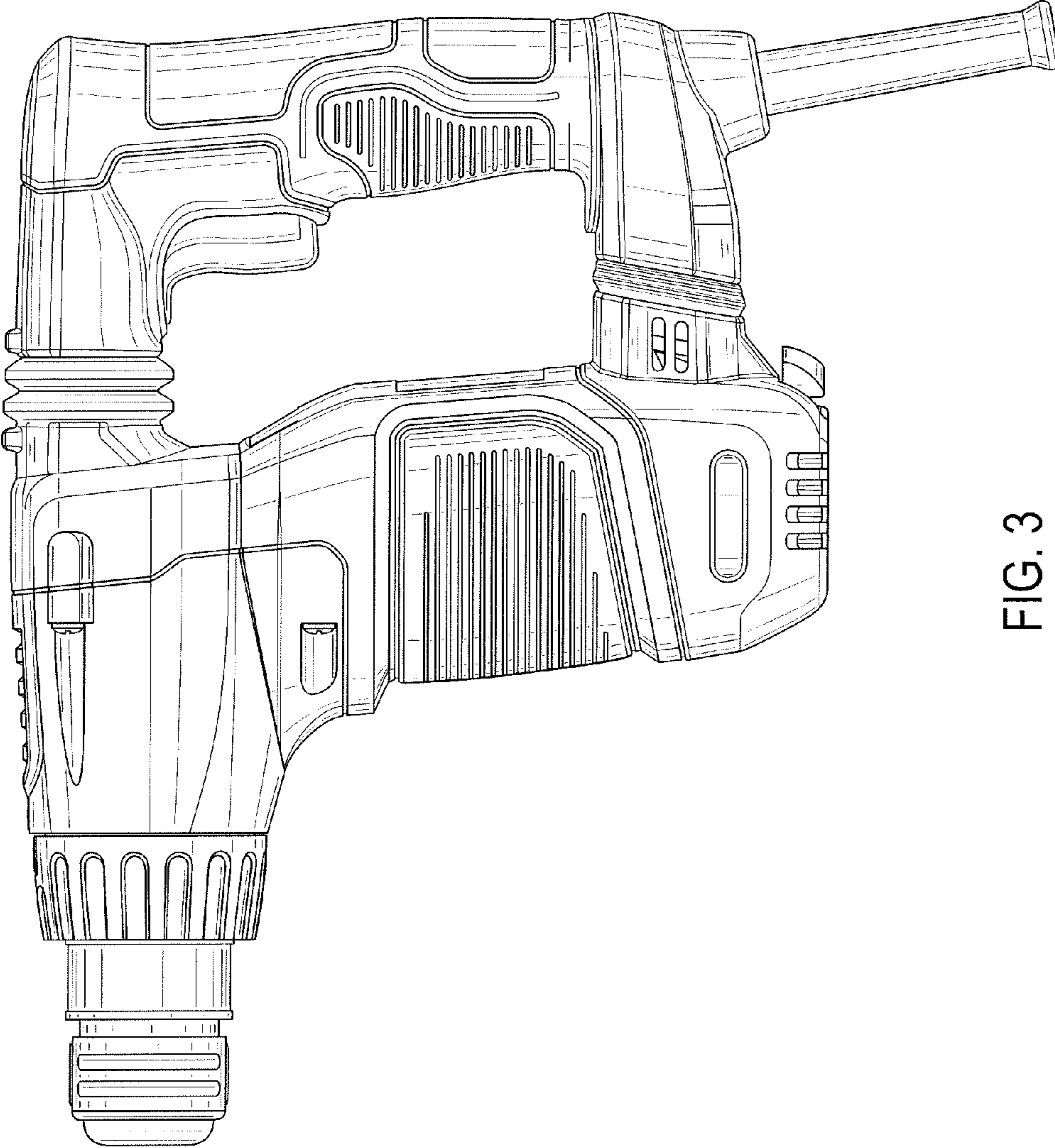


FIG. 3

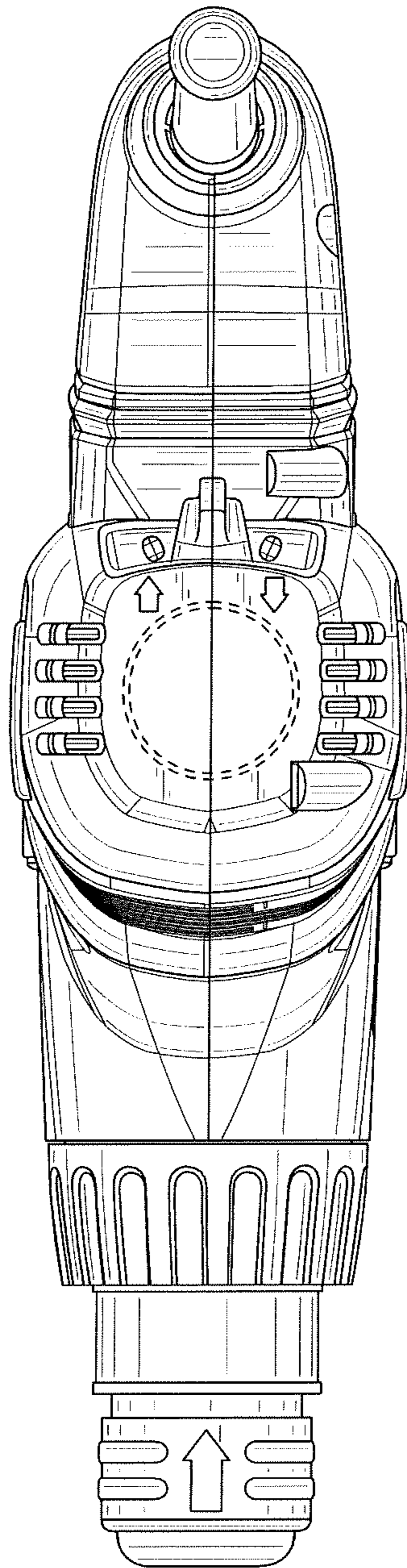


FIG. 4

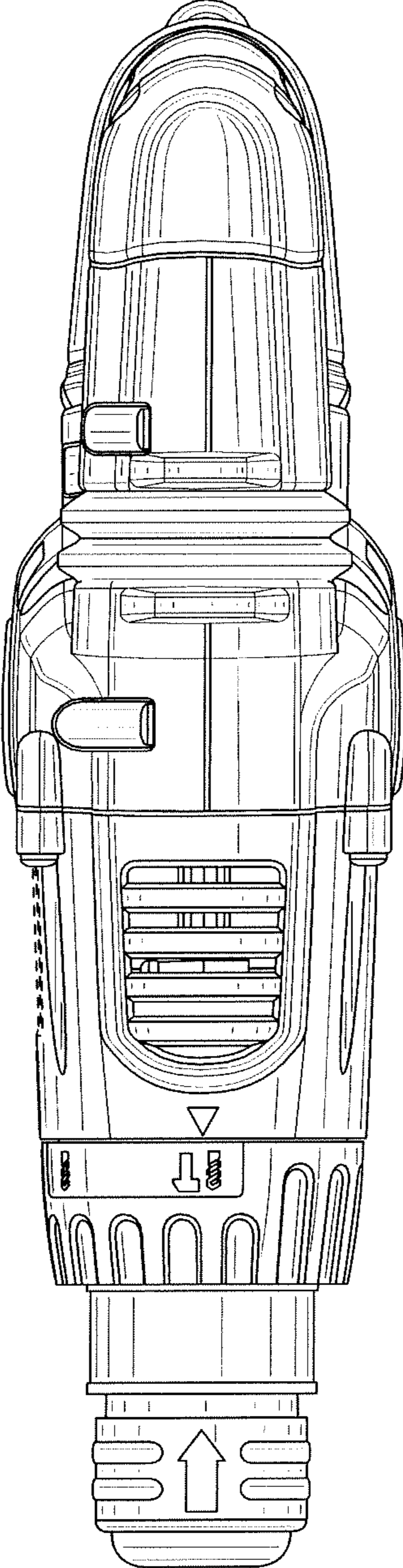


FIG. 5

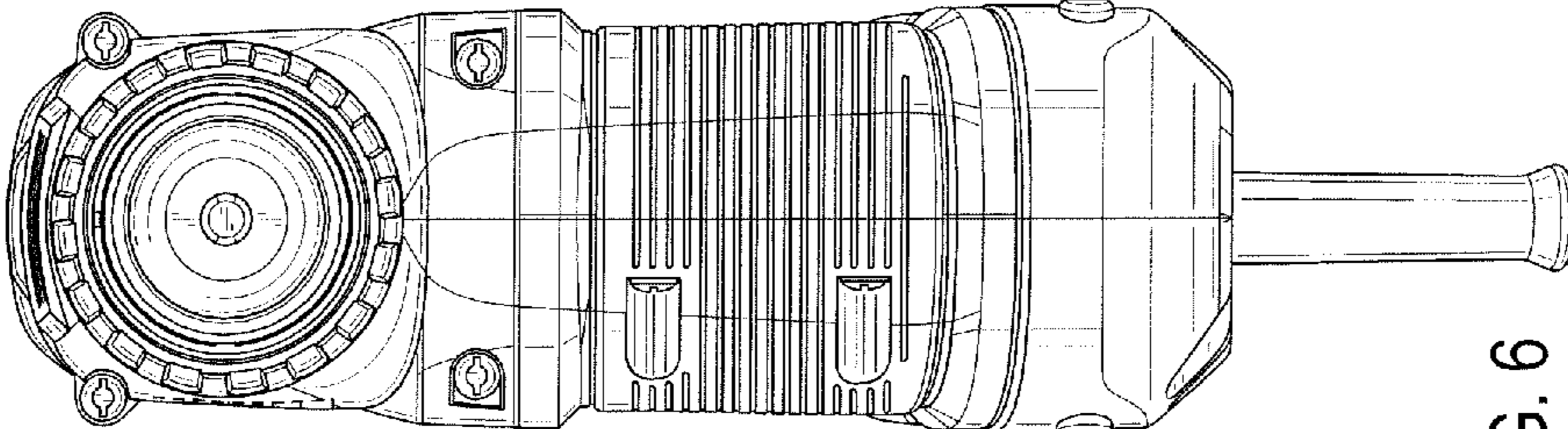


FIG. 6

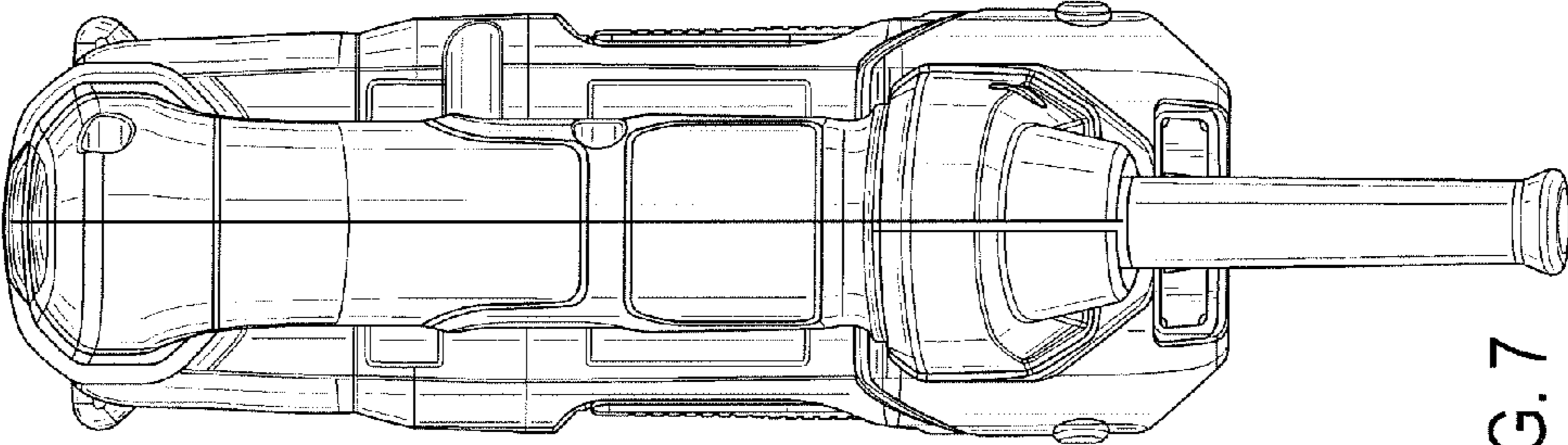


FIG. 7