



US00D716625S

(12) **United States Design Patent**
Pereyra

(10) **Patent No.:** **US D716,625 S**

(45) **Date of Patent:** **** Nov. 4, 2014**

(54) **COMBINATION BULL FLOAT**

(71) Applicant: **Oscar Pereyra**, Spring Valley, CA (US)

(72) Inventor: **Oscar Pereyra**, Spring Valley, CA (US)

(**) Term: **14 Years**

(21) Appl. No.: **29/438,730**

(22) Filed: **Dec. 3, 2012**

(51) **LOC (10) Cl.** **08-05**

(52) **U.S. Cl.**

USPC **D8/45**

(58) **Field of Classification Search**

CPC E04F 21/165

USPC 15/235.3, 235.4, 235.5, 235.6, 235.7,

15/236.01, 245.1; 30/136; D8/14, 45

See application file for complete search history.

(56) **References Cited**

U.S. PATENT DOCUMENTS

3,806,268	A *	4/1974	Francis	404/89
4,155,141	A *	5/1979	Guerra	15/235.8
4,299,513	A *	11/1981	Stegmeier	404/97
4,397,581	A *	8/1983	Jarvis	404/97
4,723,869	A *	2/1988	Dragich	404/97
D324,980	S *	3/1992	Owens	D8/45

D326,396	S *	5/1992	Owens	D8/45
5,234,283	A *	8/1993	Adkins	404/97
5,393,168	A *	2/1995	Jarvis	404/97
5,687,448	A *	11/1997	Dye, Jr.	15/235.8
D388,299	S *	12/1997	Hacker	D8/45
5,737,795	A *	4/1998	Murders	15/235.4
5,837,298	A *	11/1998	Face et al.	425/456
6,923,595	B1 *	8/2005	Chek	404/118

* cited by examiner

Primary Examiner — Adir Aronovich

Assistant Examiner — Ethiene Salgado-Rodriguez

(74) *Attorney, Agent, or Firm* — Nydegger & Associates

(57) **CLAIM**

The ornamental design for a combination bull float, as shown and described.

DESCRIPTION

FIG. 1 is a perspective view of a combination bull float showing my new design;

FIG. 2 is a top plan view thereof;

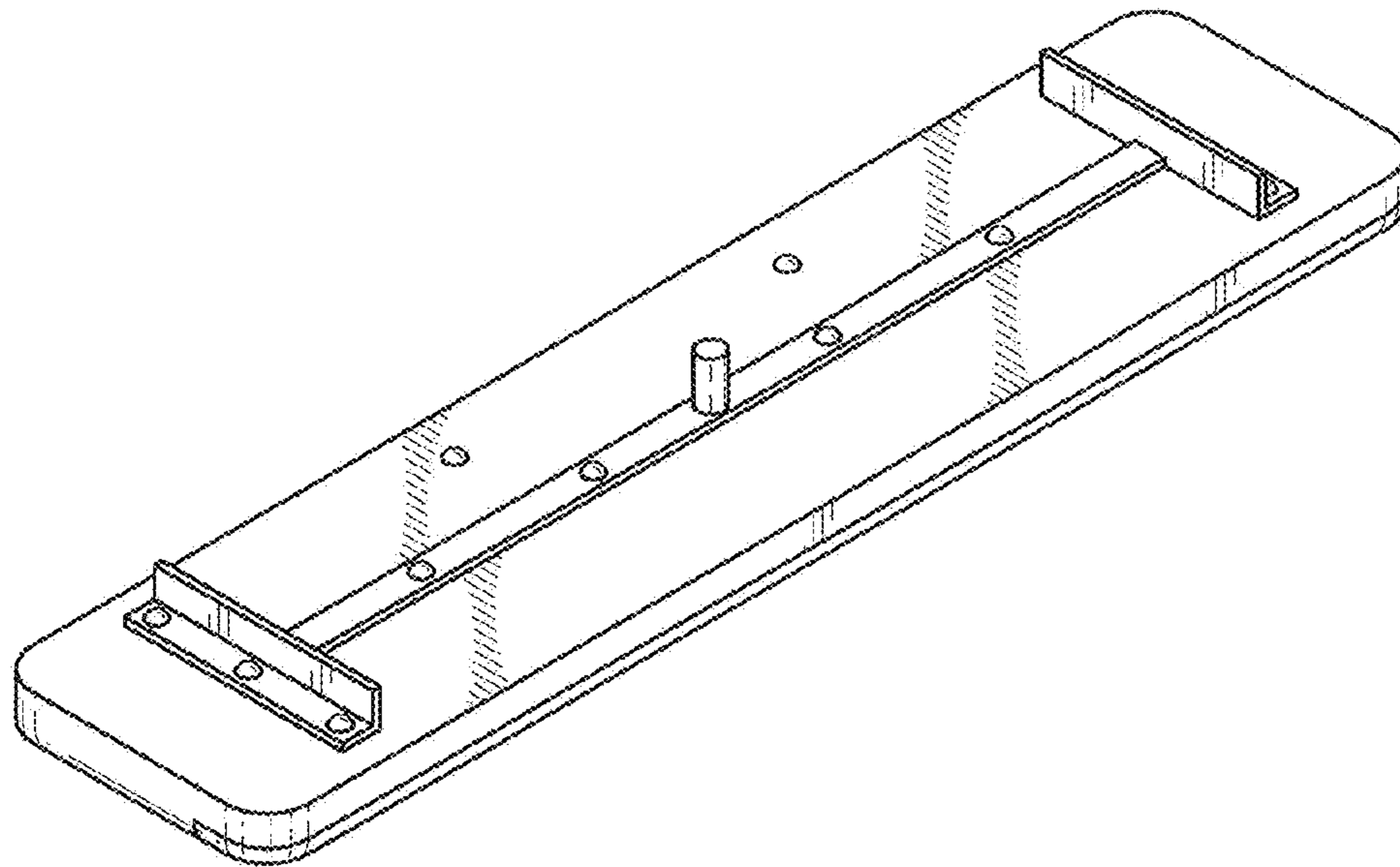
FIG. 3 is a bottom view thereof;

FIG. 4 is a rear elevational view thereof;

FIG. 5 is a front elevational view thereof; and,

FIG. 6 is a left side elevational view thereof; the undisclosed right elevational view being a mirror image thereof.

1 Claim, 3 Drawing Sheets



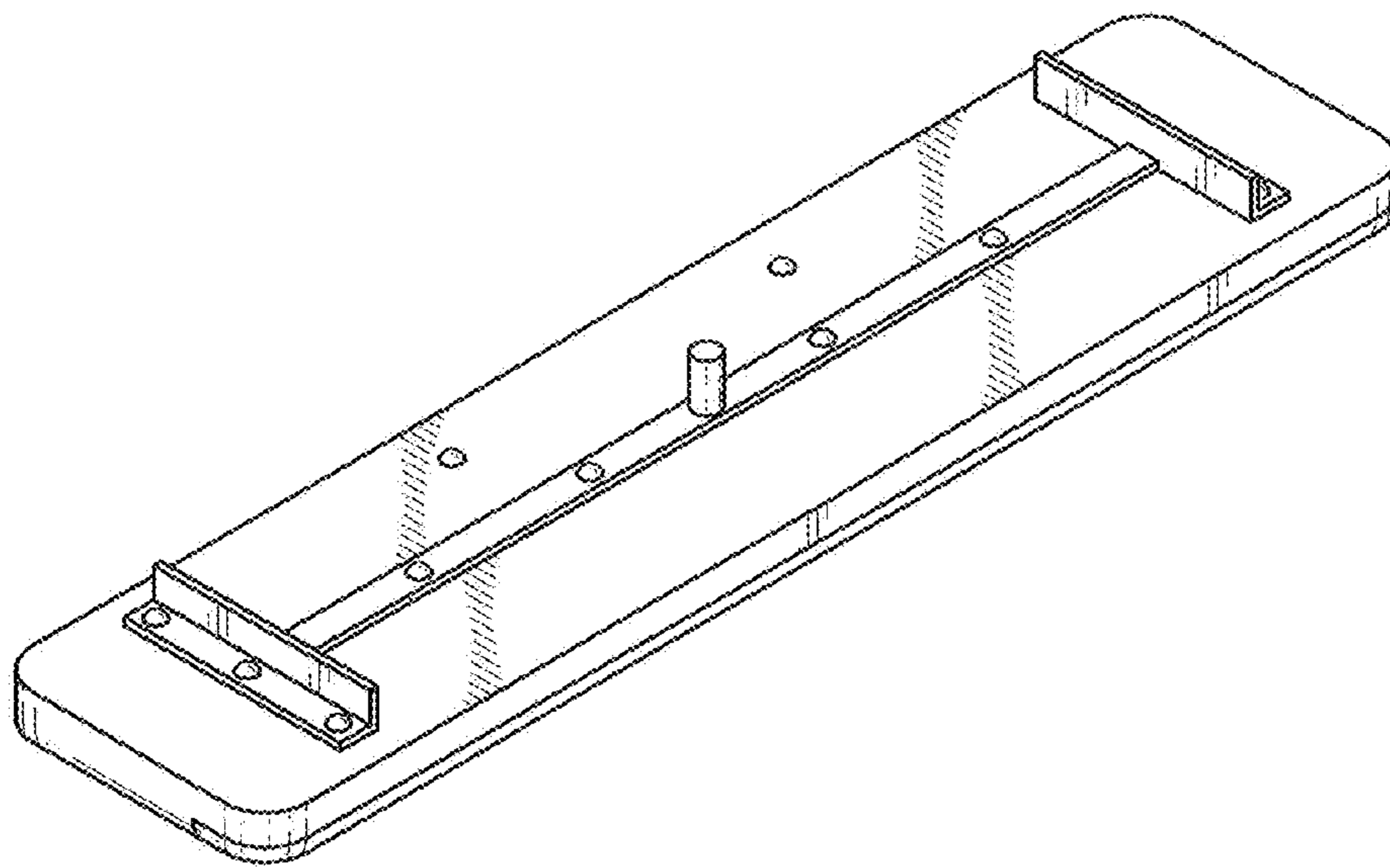


FIG. 1

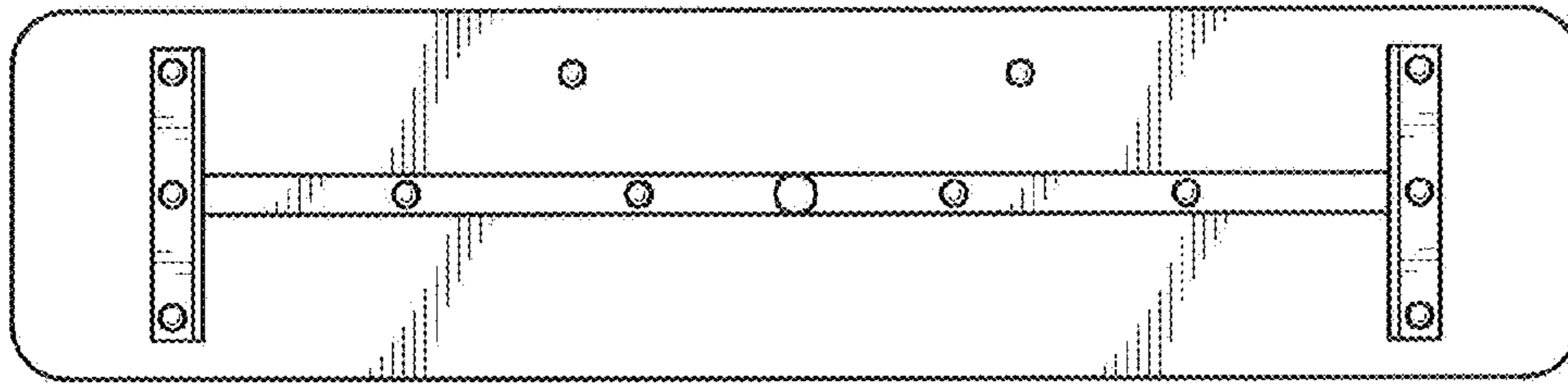


FIG. 2

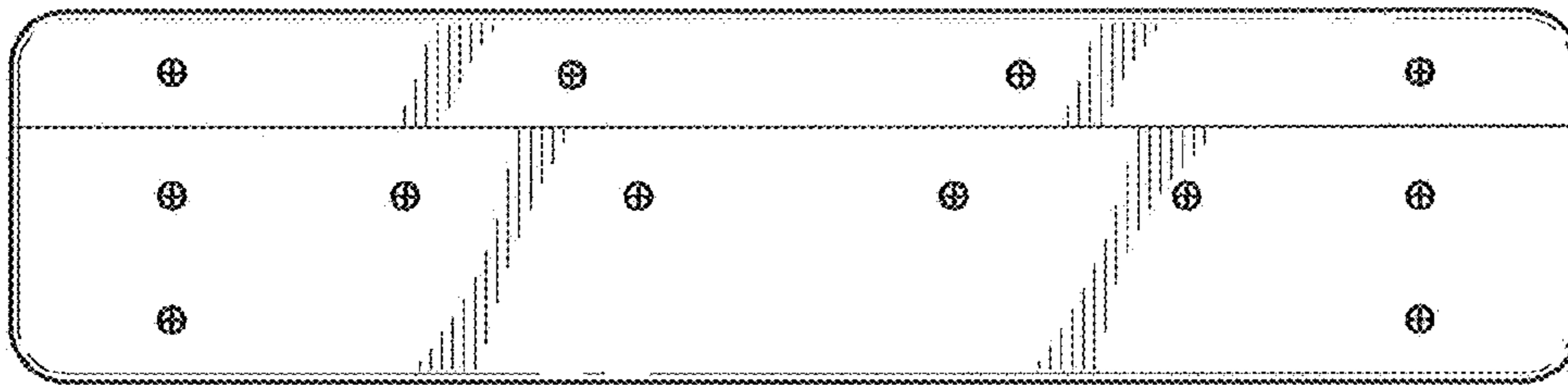


FIG. 3

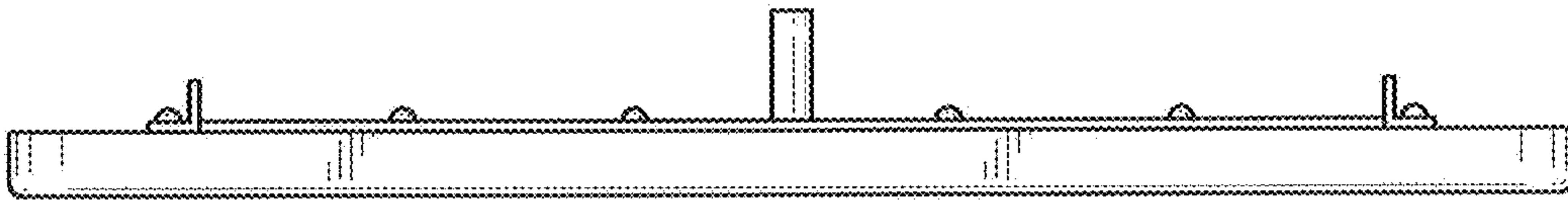


FIG. 4

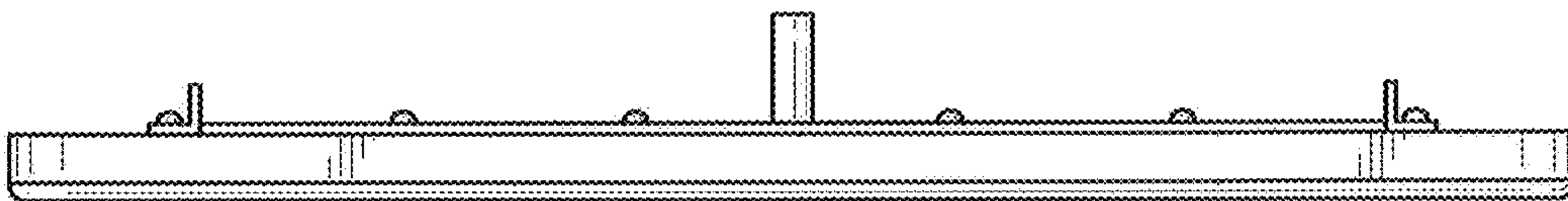


FIG. 5

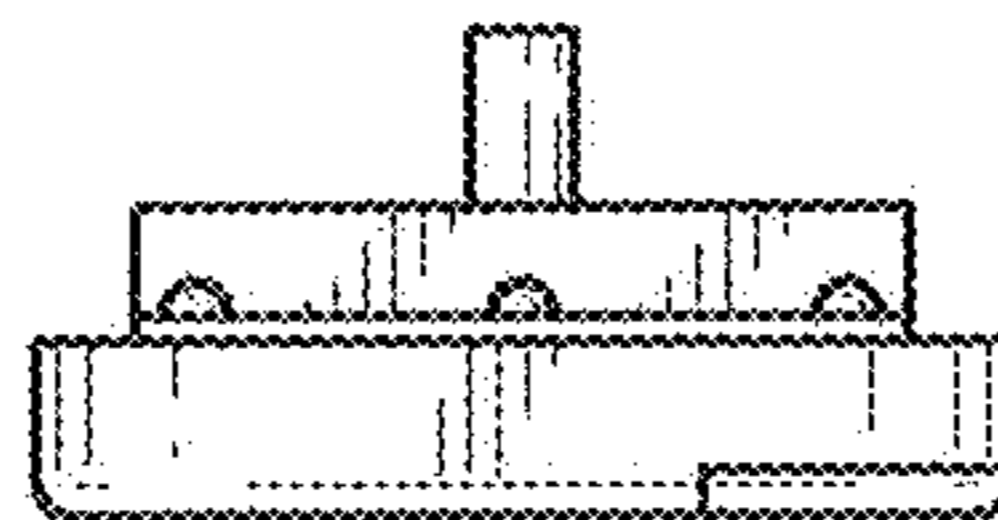


FIG. 6