



US00D716623S

(12) **United States Design Patent**
de Lange

(10) **Patent No.:** **US D716,623 S**

(45) **Date of Patent:** **** Nov. 4, 2014**

(54) **OPENER**

(71) Applicant: **Octrooifabriek B.V.**, Enschede (NL)

(72) Inventor: **Hendrik de Lange**, Enschede (NL)

(73) Assignee: **Octrooifabriek B.V.**, Enschede (NL)

(**) Term: **14 Years**

(21) Appl. No.: **29/469,363**

(22) Filed: **Oct. 9, 2013**

(30) **Foreign Application Priority Data**

Apr. 16, 2013 (EP) 2221614-3276

(51) **LOC (10) Cl.** **07-99**

(52) **U.S. Cl.**
USPC **D8/33**

(58) **Field of Classification Search**
USPC D8/18, 33-43, 88, 89, 105; 7/113,
7/151-156; 81/3.07, 3.09, 3.2, 3.27,
81/3.29, 3.31, 3.35, 3.37, 3.4, 3.48, 3.49,
81/3.55

See application file for complete search history.

(56) **References Cited**

U.S. PATENT DOCUMENTS

D407,283 S *	3/1999	Schwab	D8/40
D407,958 S *	4/1999	Royse, III	D8/16
D418,029 S *	12/1999	Leverrier	D8/36
D452,421 S *	12/2001	DeMore et al.	D8/36
D475,261 S *	6/2003	Lee	D8/36
D536,231 S *	2/2007	Kawasaki	D8/98
D553,458 S *	10/2007	Hood	D8/40
D555,448 S *	11/2007	Sanders et al.	D8/41
D555,998 S *	11/2007	Mah et al.	D8/41
D560,454 S *	1/2008	Raia et al.	D8/38

* cited by examiner

Primary Examiner — Elizabeth Albert

(74) *Attorney, Agent, or Firm* — Smith, Gambrell & Russell LLP

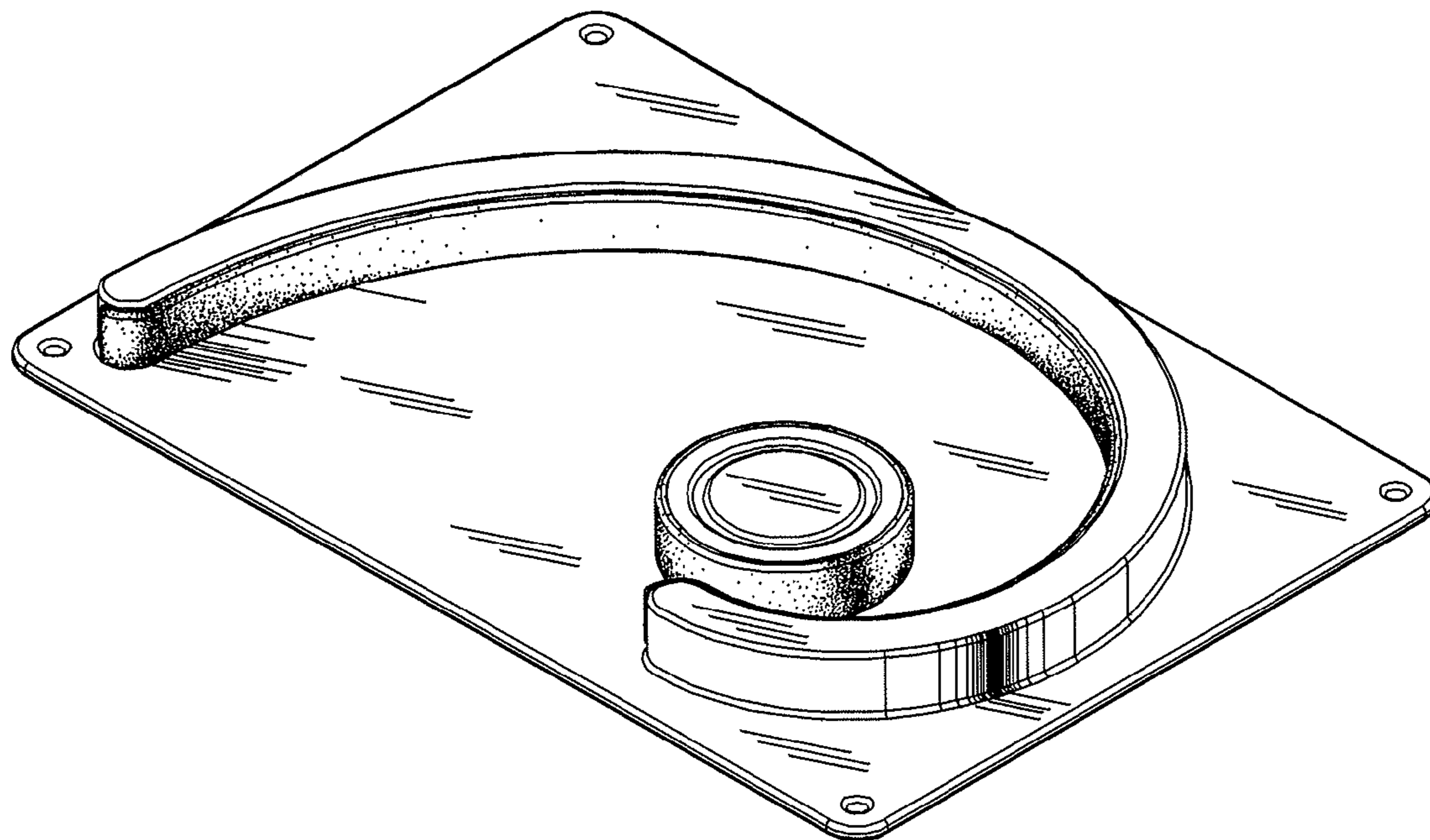
(57) **CLAIM**

The ornamental design for an opener, as shown.

DESCRIPTION

FIG. 1 is a top-front perspective view of an opener of the present invention;
FIG. 2 is top plan view thereof;
FIG. 3 is a bottom plan view thereof;
FIG. 4 is a front elevation view thereof;
FIG. 5 is a rear elevation view thereof;
FIG. 6 is a right side elevation view thereof; and,
FIG. 7 is a left side elevation view thereof.

1 Claim, 4 Drawing Sheets



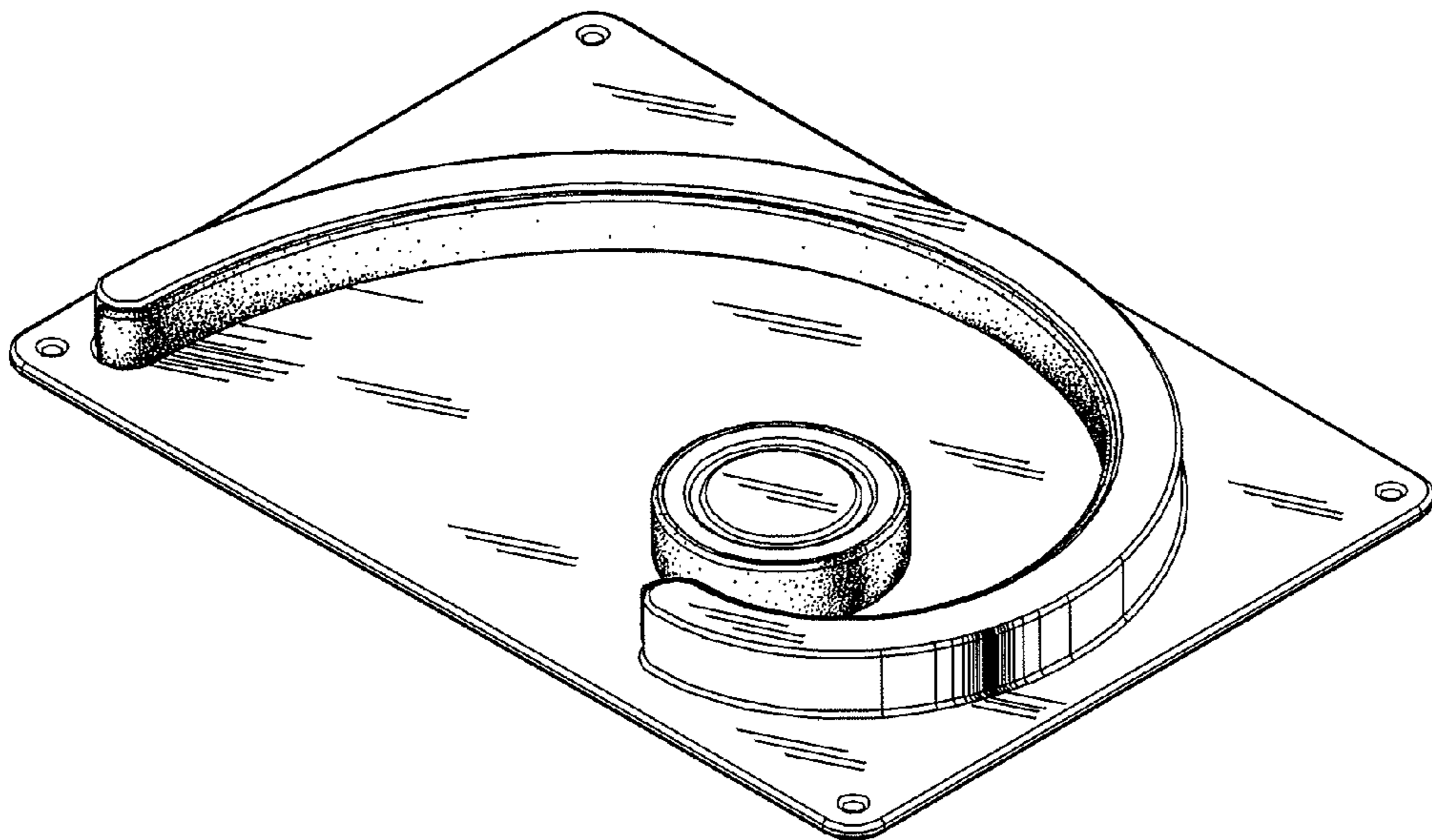


Figure 1

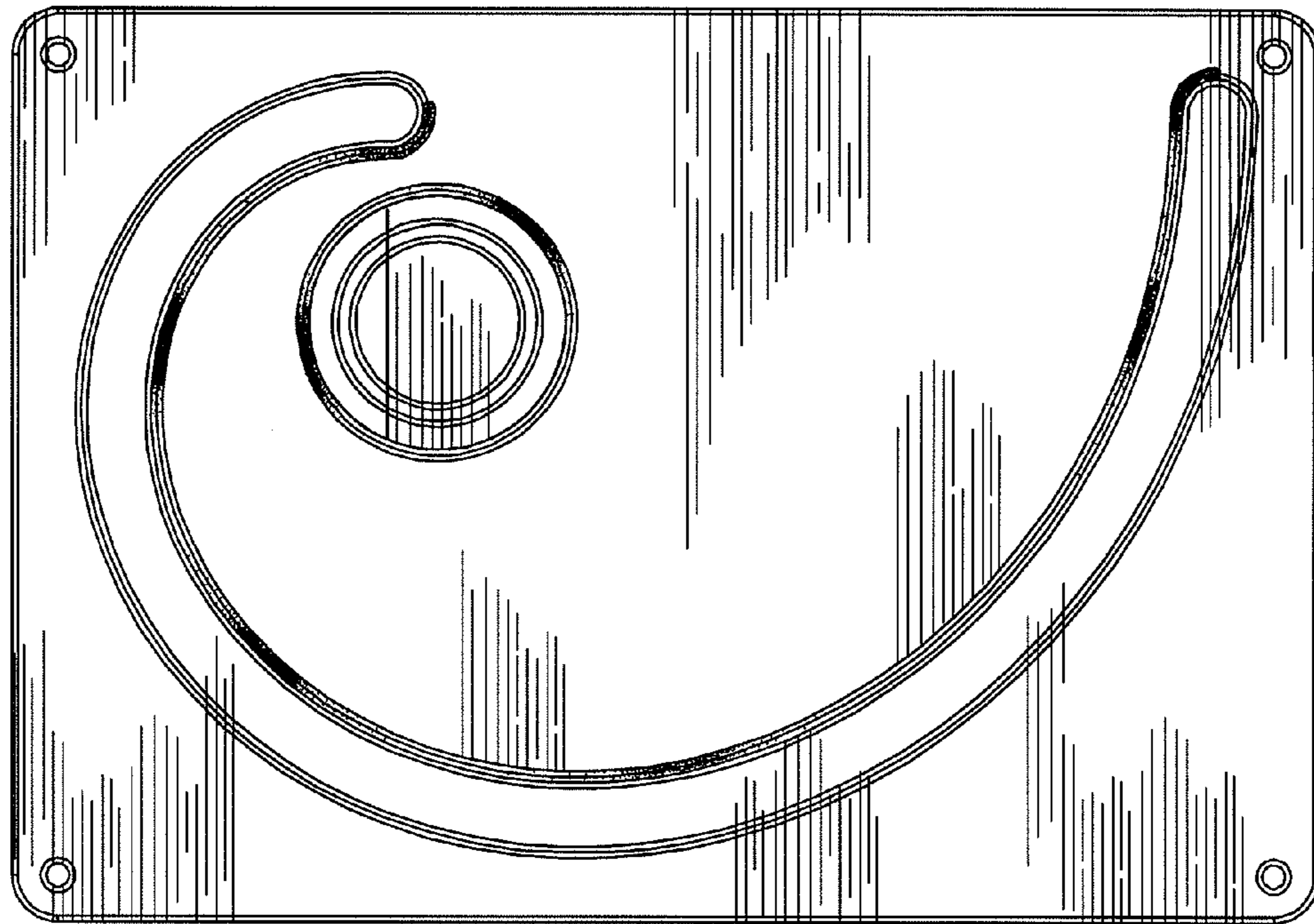


Figure 2

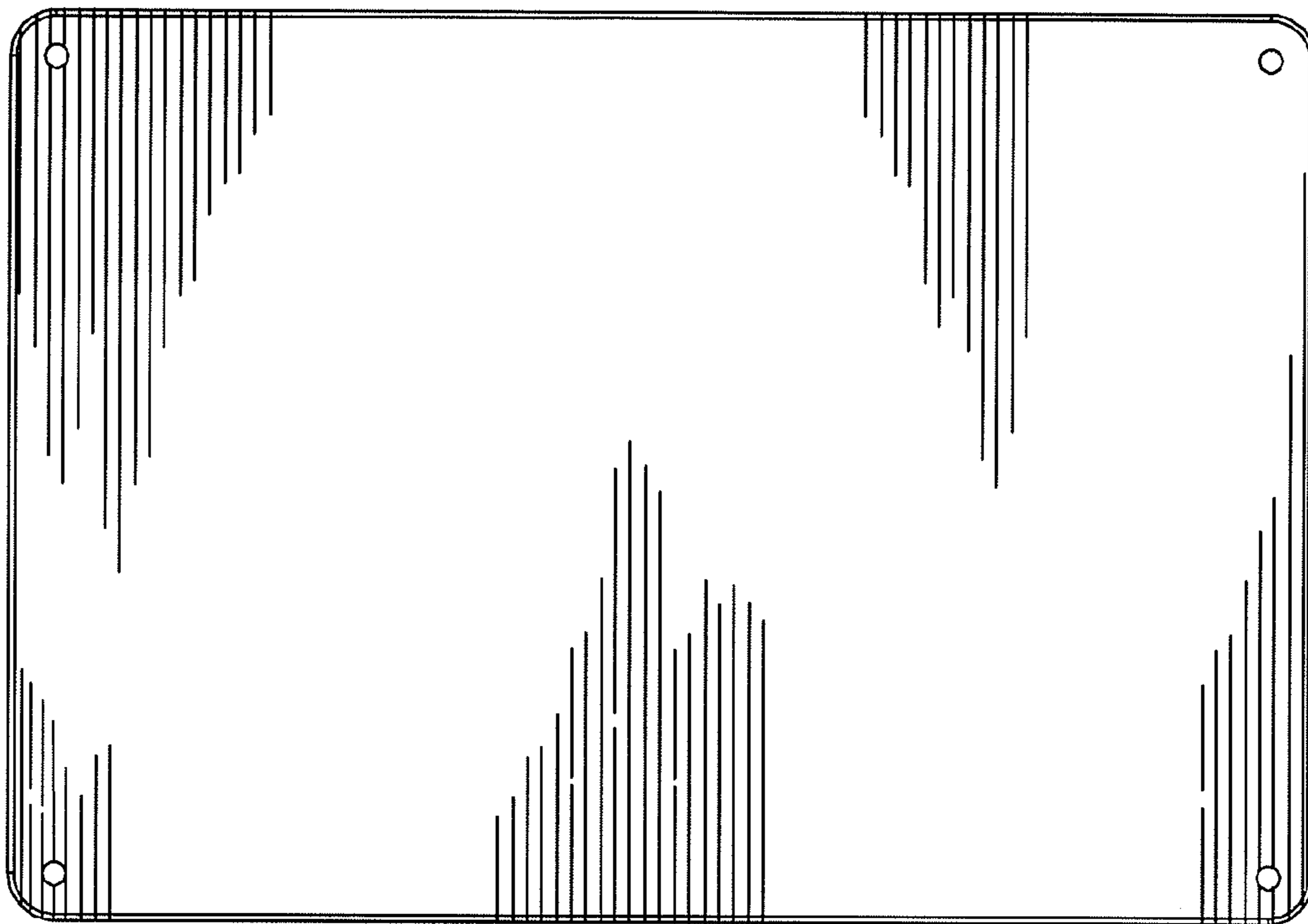


Figure 3

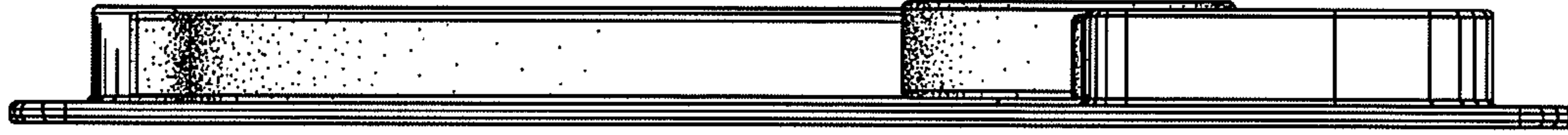


Figure 4

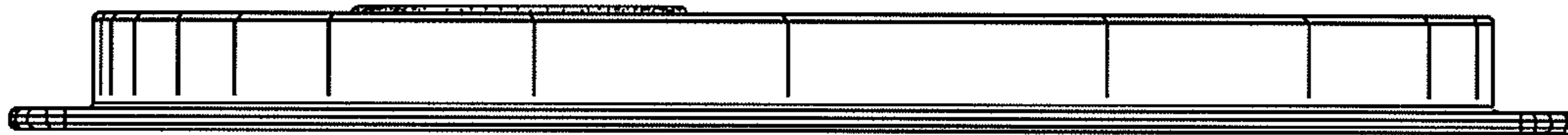


Figure 5



Figure 6

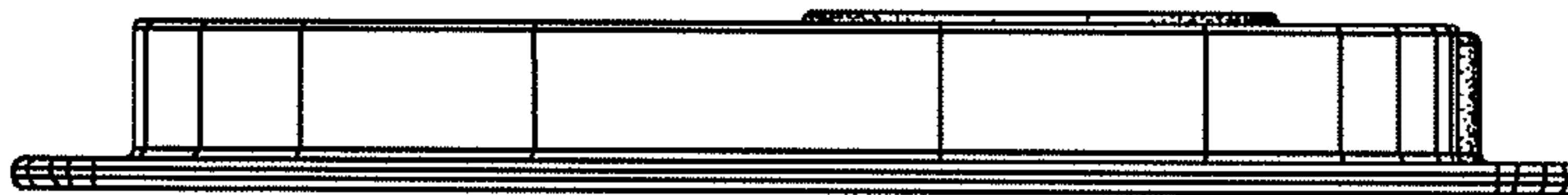


Figure 7