

US00D716621S

(12) **United States Design Patent**
Tate et al.

(10) **Patent No.:** **US D716,621 S**
(45) **Date of Patent:** **** Nov. 4, 2014**

(54) **STRING TRIMMER**

(56) **References Cited**

(71) Applicant: **Black & Decker Inc.**, Newark, DE (US)

U.S. PATENT DOCUMENTS

(72) Inventors: **Clare Tate**, Durham (GB); **Mark Baxter**, Tyne & Wear (GB)

D382,450	S	*	8/1997	Meisner et al.	D8/8
5,950,317	A	*	9/1999	Yates et al.	30/276
5,987,756	A	*	11/1999	Yates et al.	30/276
D510,512	S	*	10/2005	Robson	D8/8
D547,143	S	*	7/2007	Evans et al.	D8/8
D580,237	S	*	11/2008	Bradford	D8/8
D580,719	S	*	11/2008	Baxter	D8/8
D656,371	S	*	3/2012	Sweeney	D8/8
D663,594	S	*	7/2012	Yamamoto et al.	D8/8

(73) Assignee: **Black & Decker Inc.**, Newark, DE (US)

(**) Term: **14 Years**

* cited by examiner

(21) Appl. No.: **29/476,953**

Primary Examiner — Sheryl Lane

(22) Filed: **Dec. 18, 2013**

(74) *Attorney, Agent, or Firm* — John Yun

(30) **Foreign Application Priority Data**

(57) **CLAIM**

The ornamental design for a string trimmer, as shown and described.

Jun. 20, 2013 (EM) 001375356

(51) **LOC (10) Cl.** **08-01**

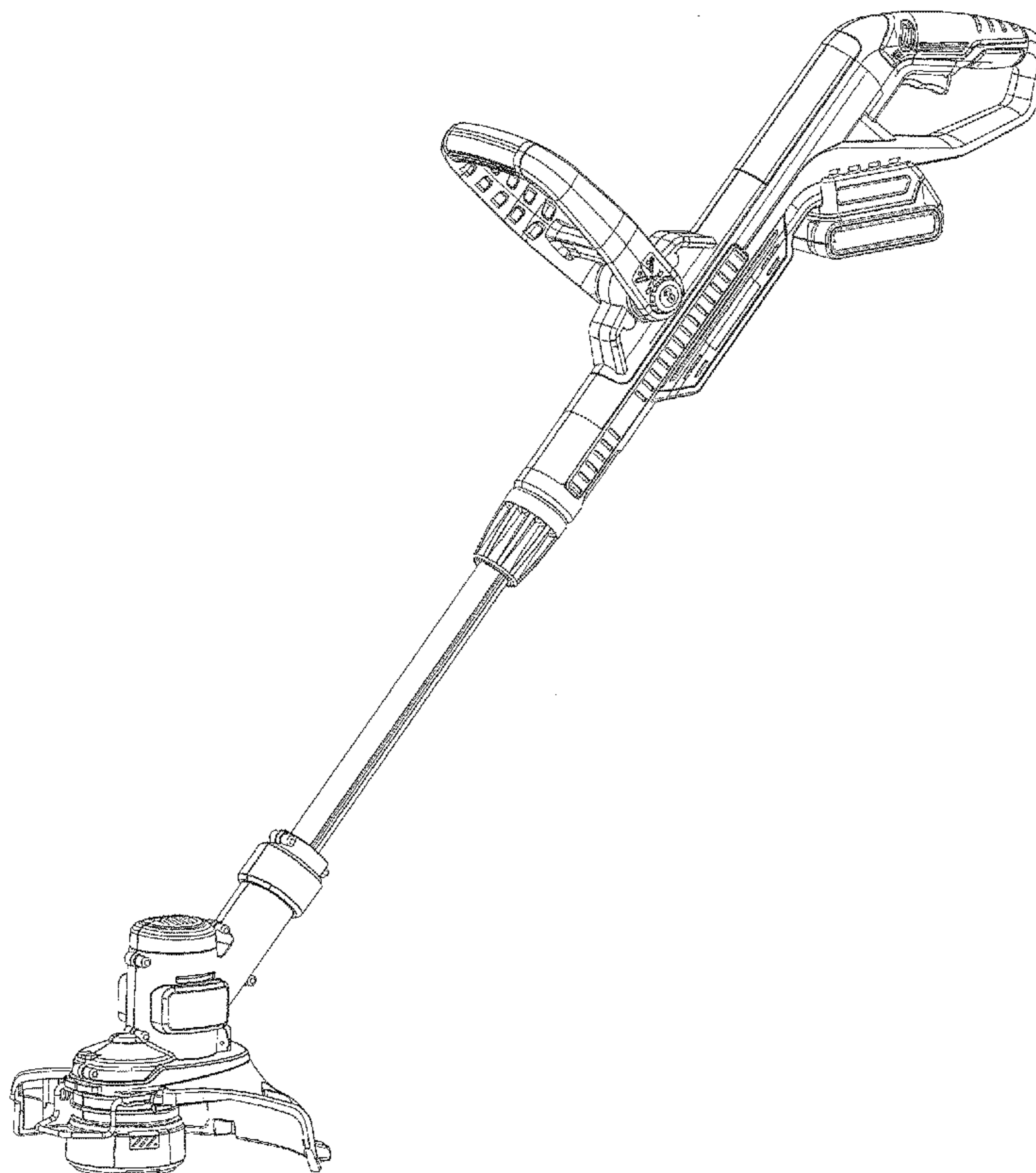
(52) **U.S. Cl.**
USPC **D8/8**

(58) **Field of Classification Search**
CPC . A01D 34/416; A01D 34/4166; A01D 34/84;
B65H 270/354
USPC D8/8, 9; 30/276, 347; 56/12.7
See application file for complete search history.

DESCRIPTION

FIG. 1 is a perspective view of a string trimmer showing our new design;
FIG. 2 is a front view thereof
FIG. 3 is a rear view thereof;
FIG. 4 is a left side view thereof;
FIG. 5 is a right side view thereof;
FIG. 6 is a top plan view thereof; and,
FIG. 7 is a bottom plan view thereof.

1 Claim, 7 Drawing Sheets



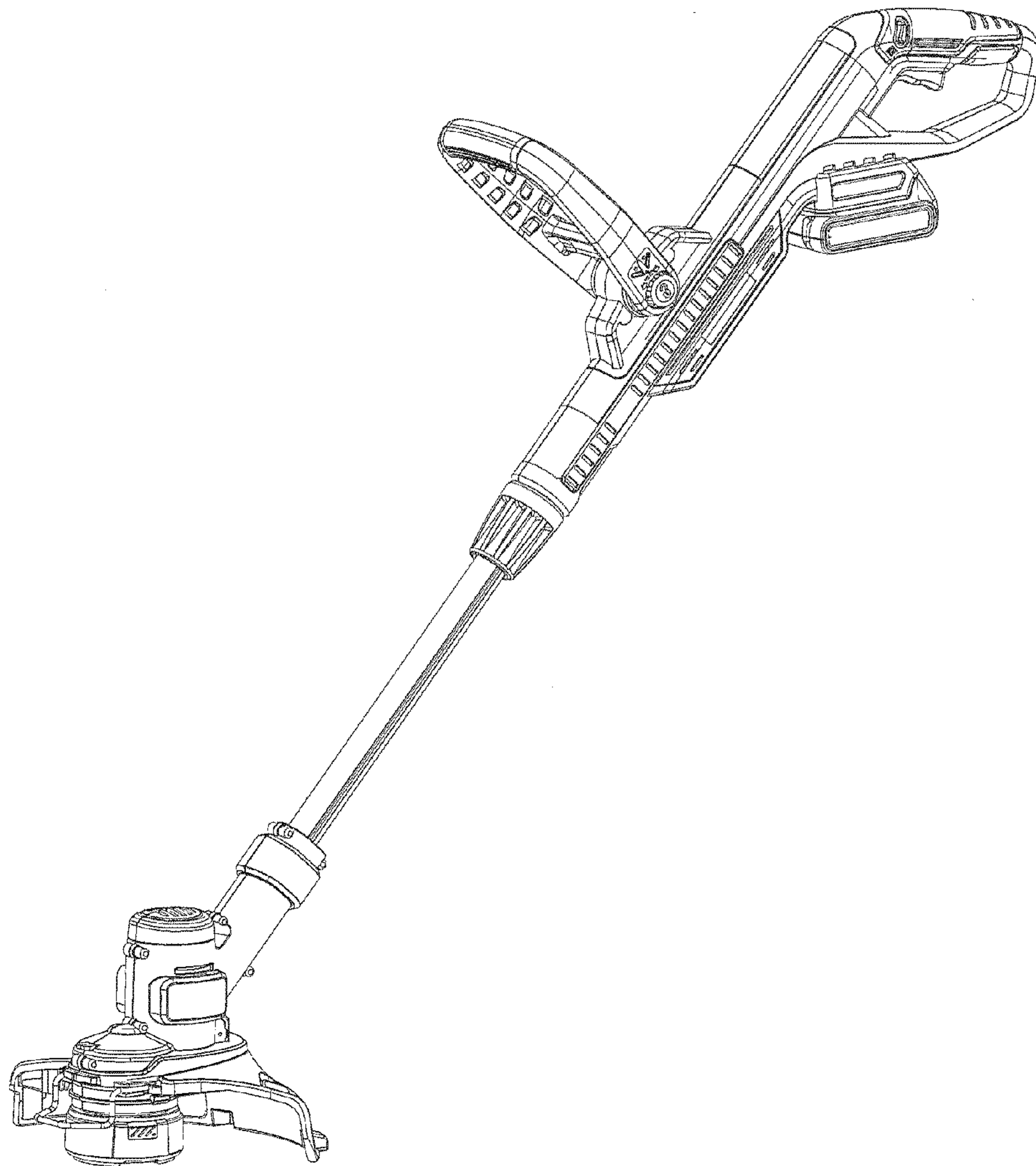


FIG. 1

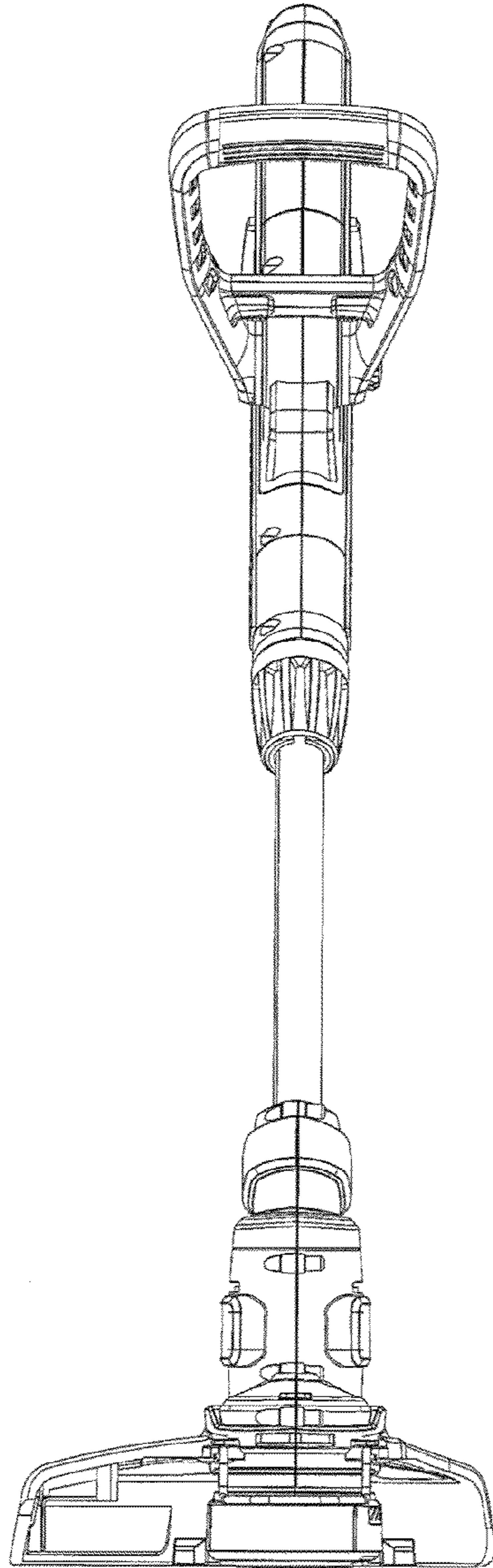


FIG. 2

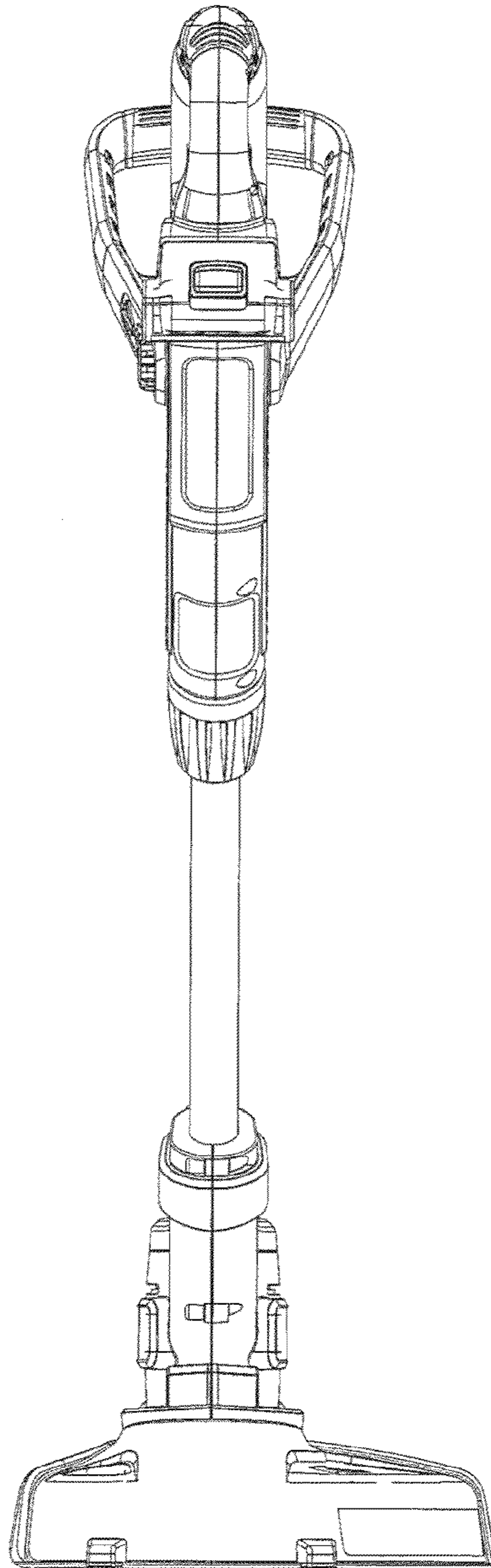


FIG. 3

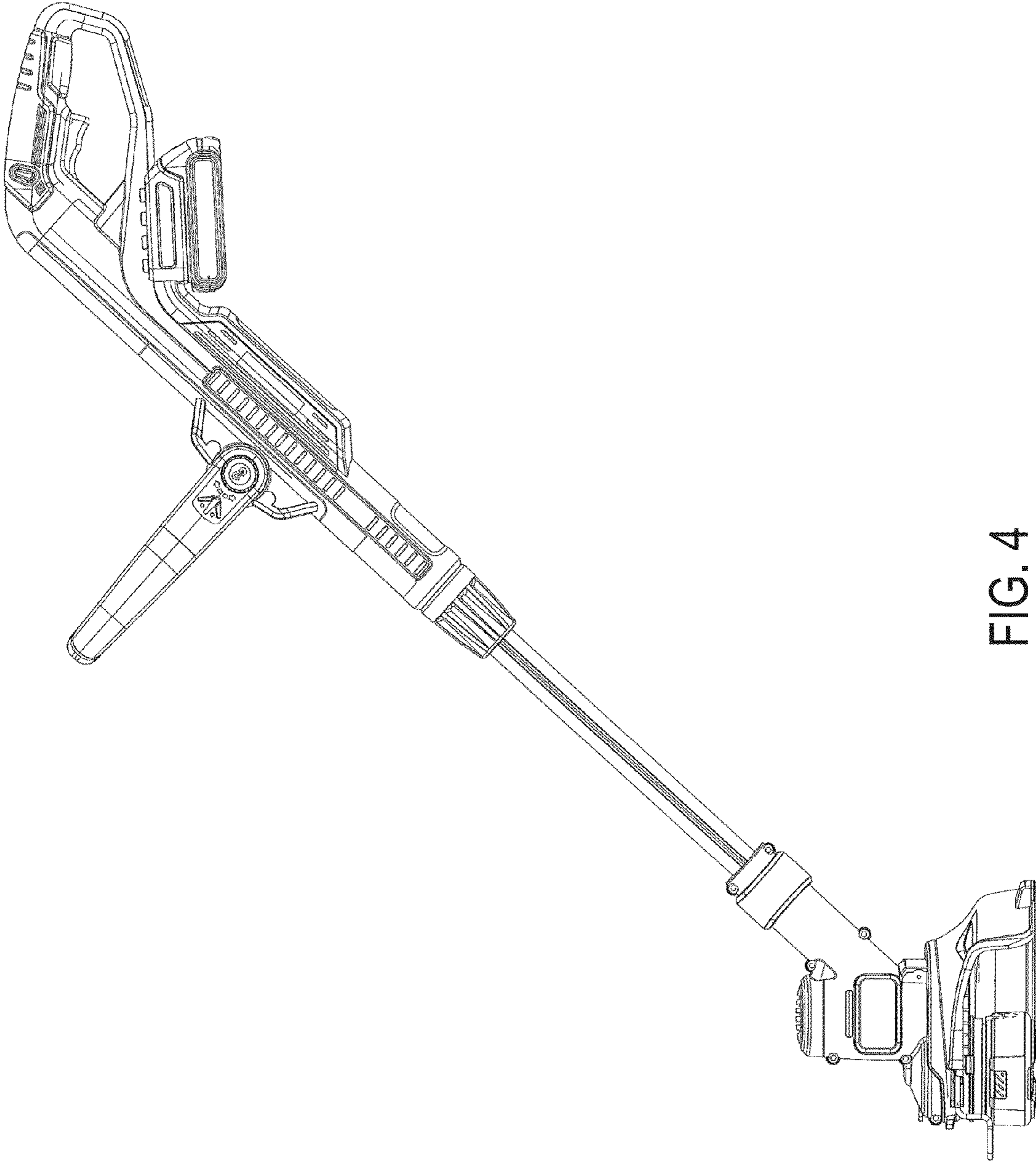


FIG. 4

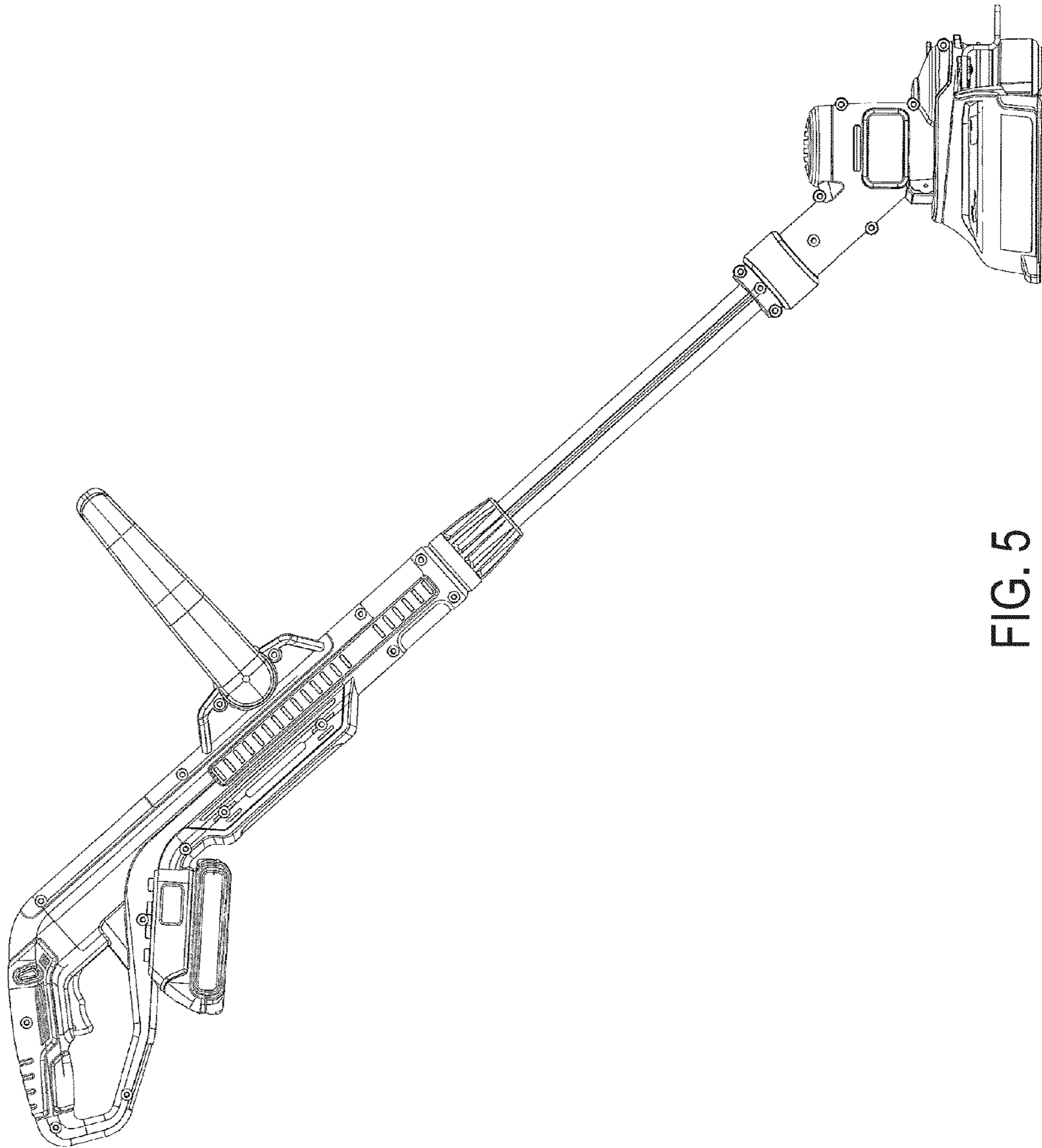


FIG. 5

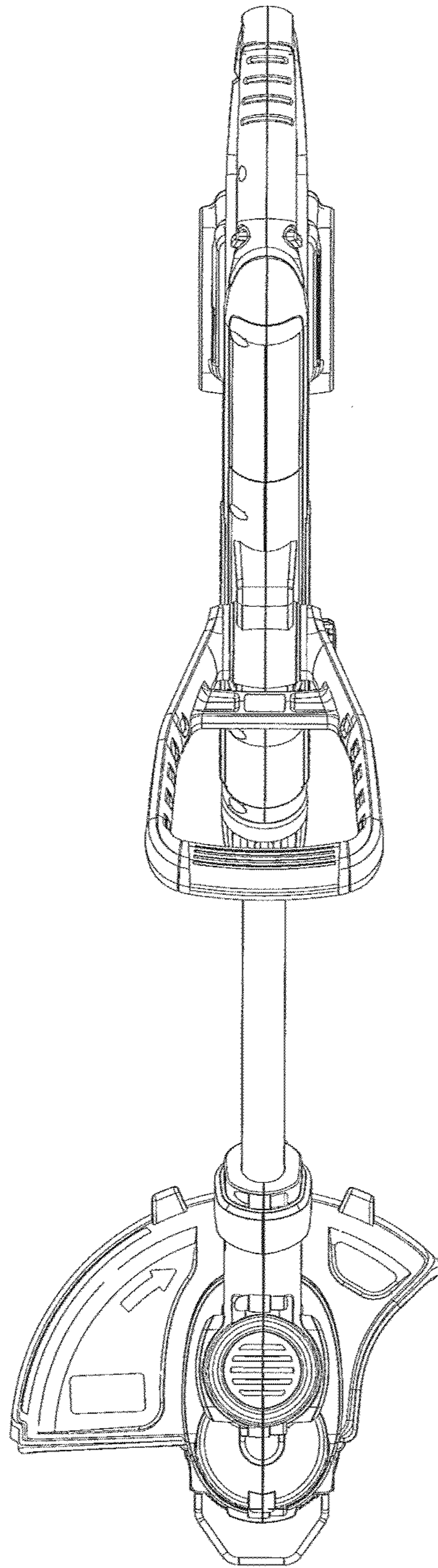


FIG. 6

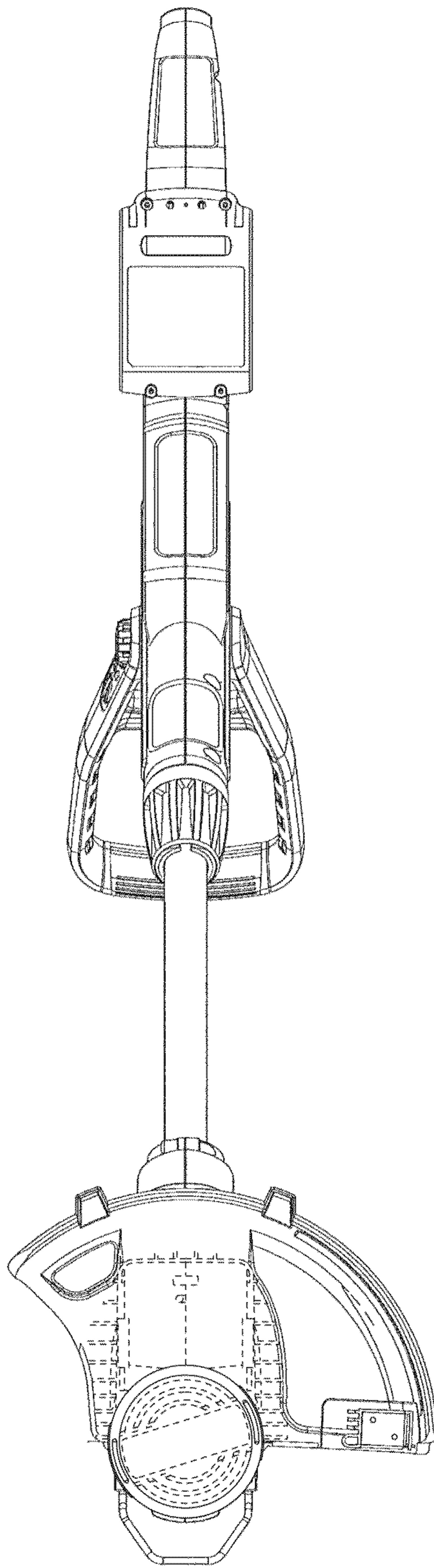


FIG. 7