



US00D716619S

(12) **United States Design Patent**
Baxter

(10) **Patent No.:** **US D716,619 S**

(45) **Date of Patent:** **** Nov. 4, 2014**

- (54) **STRING TRIMMER ACCESSORY**
- (71) Applicant: **Black & Decker Inc.**, Newark, DE (US)
- (72) Inventor: **Mark Baxter**, Tyne & Wear (GB)
- (73) Assignee: **Black & Decker Inc.**, Newark, DE (US)
- (**) Term: **14 Years**
- (21) Appl. No.: **29/448,375**
- (22) Filed: **Mar. 12, 2013**

D479,961 S *	9/2003	Iacona	D8/8
D482,581 S *	11/2003	Nystrom	D8/8
D482,941 S *	12/2003	Nystrom	D8/8
D502,368 S *	3/2005	Nystrom et al.	D8/8
D560,107 S *	1/2008	Grey	D8/8
D584,581 S *	1/2009	Bradford	D8/8
D597,804 S *	8/2009	Alliss	D8/8
D598,254 S *	8/2009	Alliss	D8/8
D598,255 S *	8/2009	Alliss	D8/8
D630,068 S *	1/2011	Proulx	D8/8
7,882,642 B2 *	2/2011	Proulx	30/276
D653,920 S *	2/2012	Cigarini	D8/8
8,510,960 B2 *	8/2013	Pfaltzgraff et al.	30/276
8,567,073 B2 *	10/2013	Proulx	30/276

* cited by examiner

(30) **Foreign Application Priority Data**

Oct. 26, 2012 (EM) 001348858

(51) **LOC (10) Cl.** **08-01**

(52) **U.S. Cl.**
USPC **D8/8**

(58) **Field of Classification Search**
CPC A01D 43/416; A01D 43/4166; A01D
43/4167; A01D 43/87; A01D 43/90; A01G
3/04; A01G 3/0435
USPC D8/7-9; D15/17, 1; 30/276, 208-210,
30/228, 282-383; 56/12.7, 233-234
See application file for complete search history.

(56) **References Cited**

U.S. PATENT DOCUMENTS

D346,727 S *	5/1994	Eriksson	D8/8
D362,600 S *	9/1995	Kiyooka et al.	D8/8
D376,741 S *	12/1996	Sadlowski, Sr.	D8/8
D460,904 S *	7/2002	Riley et al.	D8/8
D465,975 S *	11/2002	Iacona	D8/8

Primary Examiner — Sheryl Lane

(74) *Attorney, Agent, or Firm* — John Yun

(57) **CLAIM**

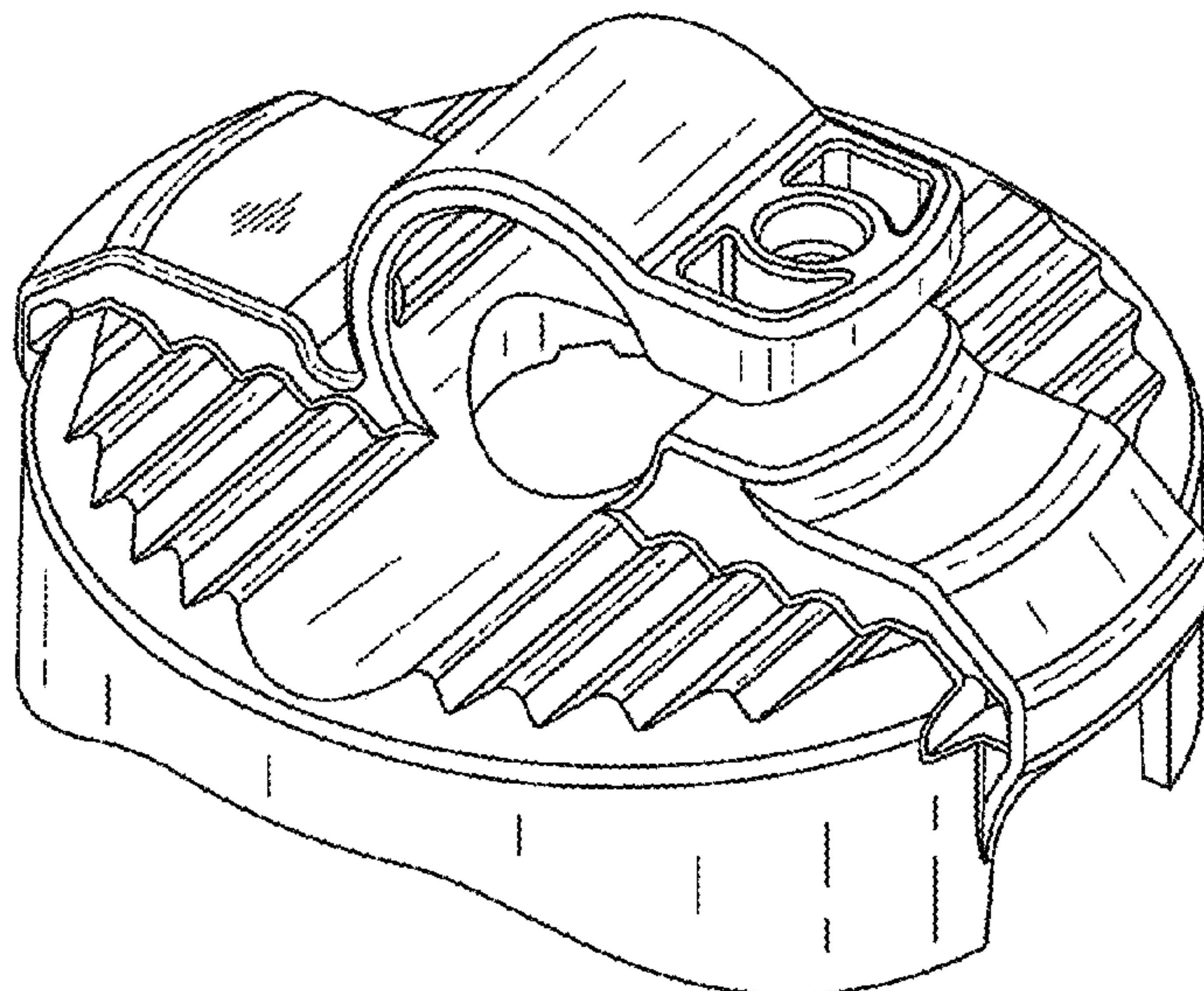
The ornamental design for a string trimmer accessory, as shown and described.

DESCRIPTION

FIG. 1 is a top perspective view of a string trimmer accessory showing my new design;
FIG. 2 is a left view thereof
FIG. 3 is a right view thereof;
FIG. 4 is a front view thereof;
FIG. 5 is a rear view thereof;
FIG. 6 is a top plan thereof; and,
FIG. 7 is a bottom plan view.

In the above drawings, the broken lines and areas within the broken lines represent portions of the article and form no part of the claimed design.

1 Claim, 4 Drawing Sheets



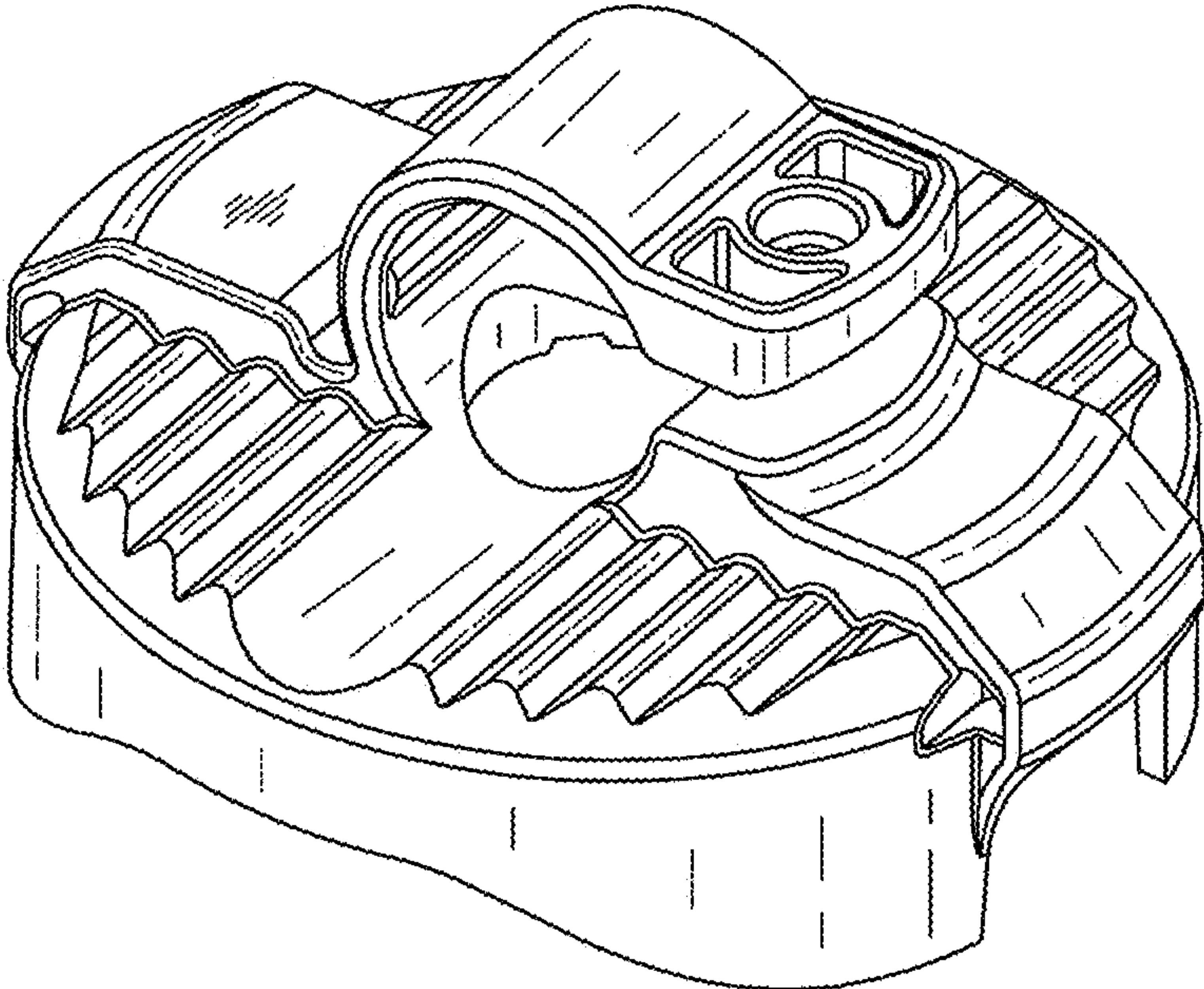


FIG. 1

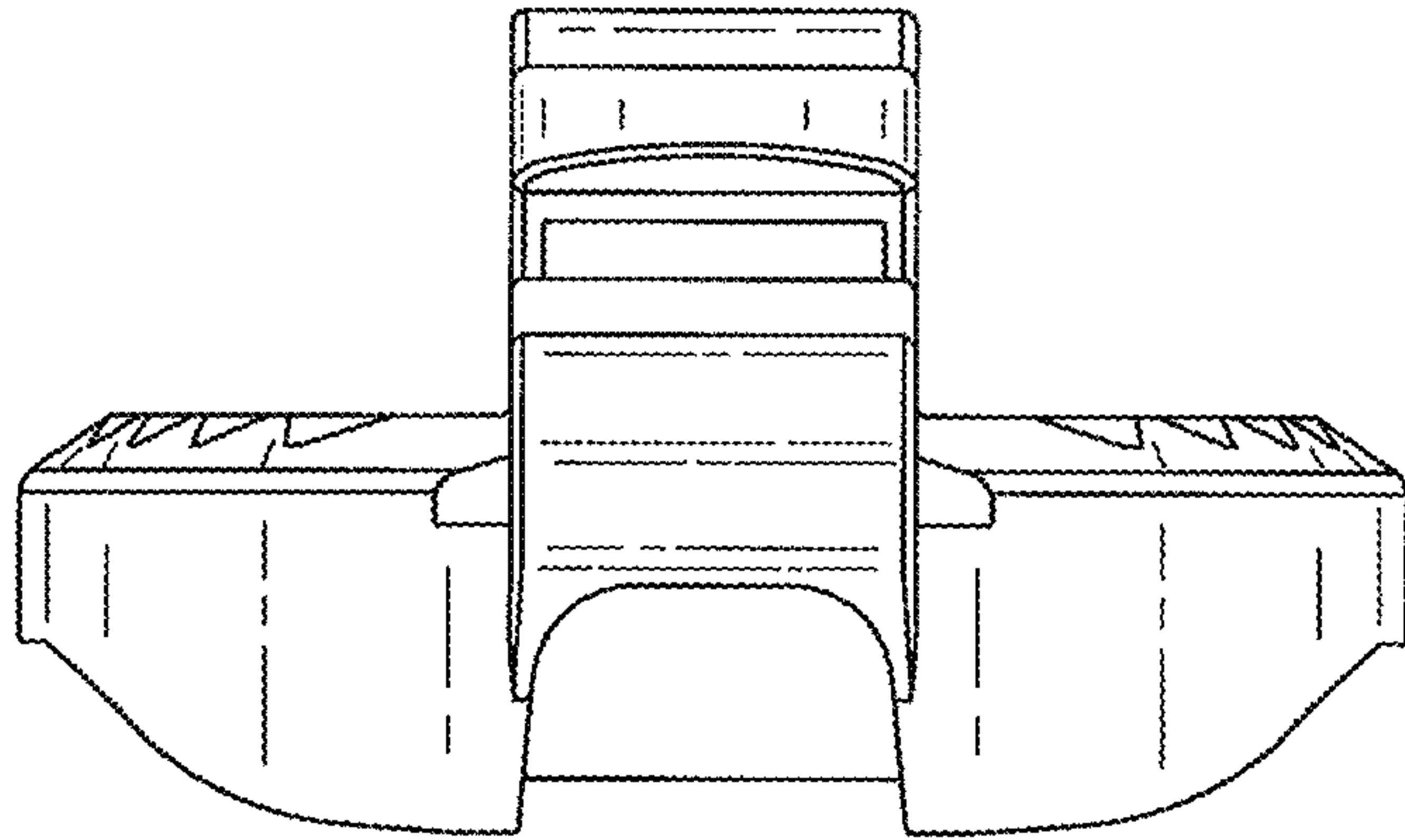


FIG. 2

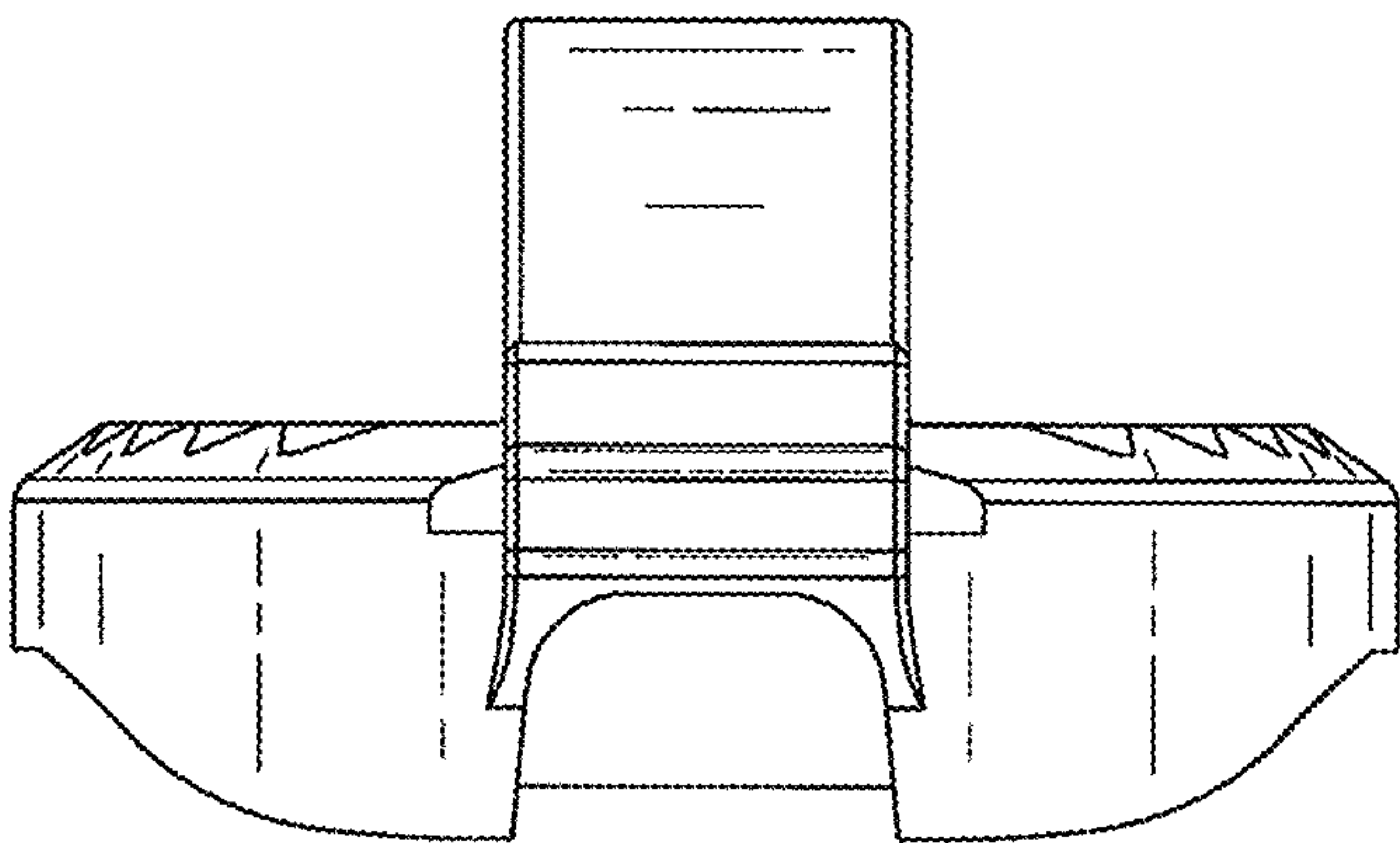


FIG. 3

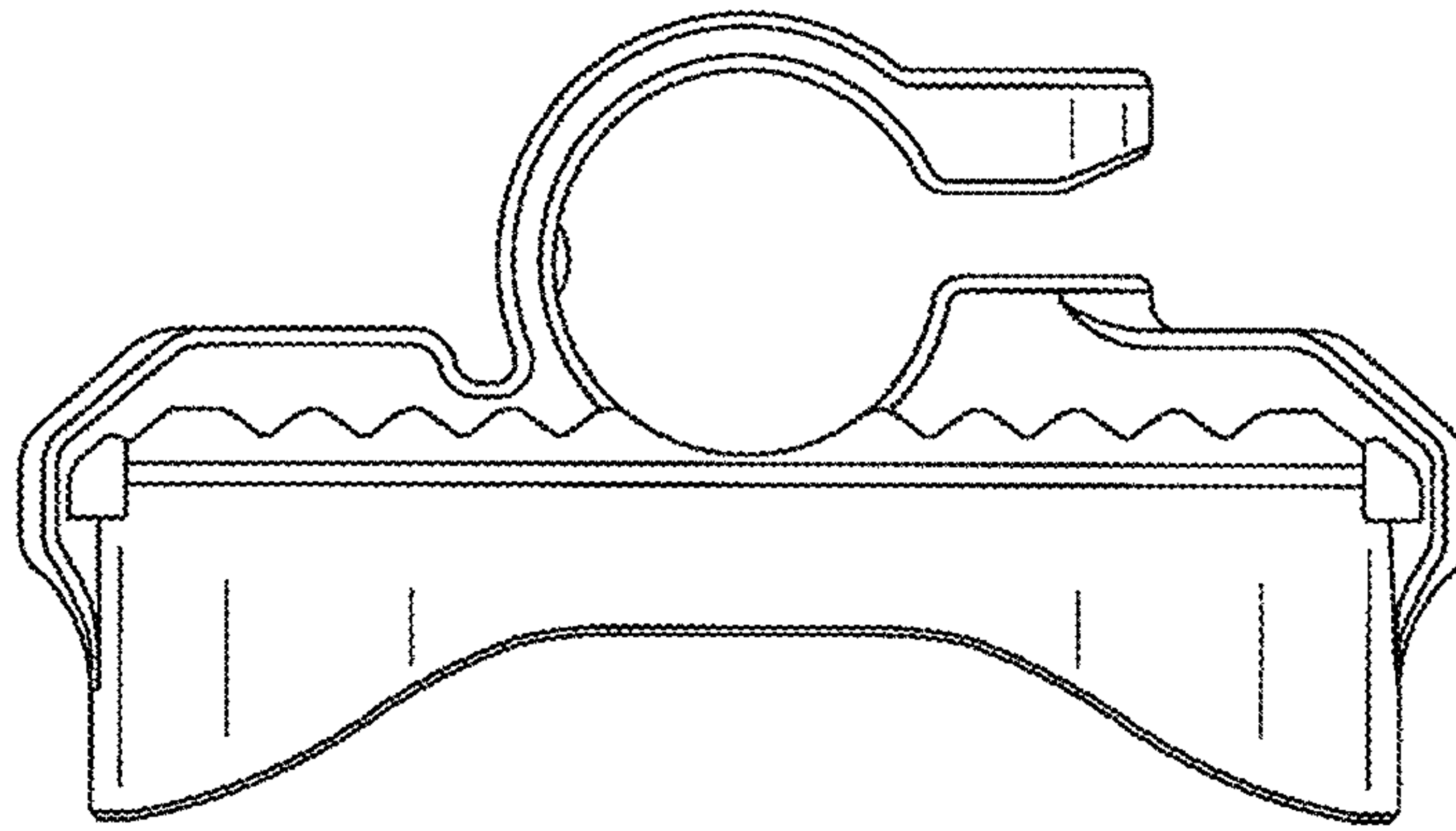


FIG. 4

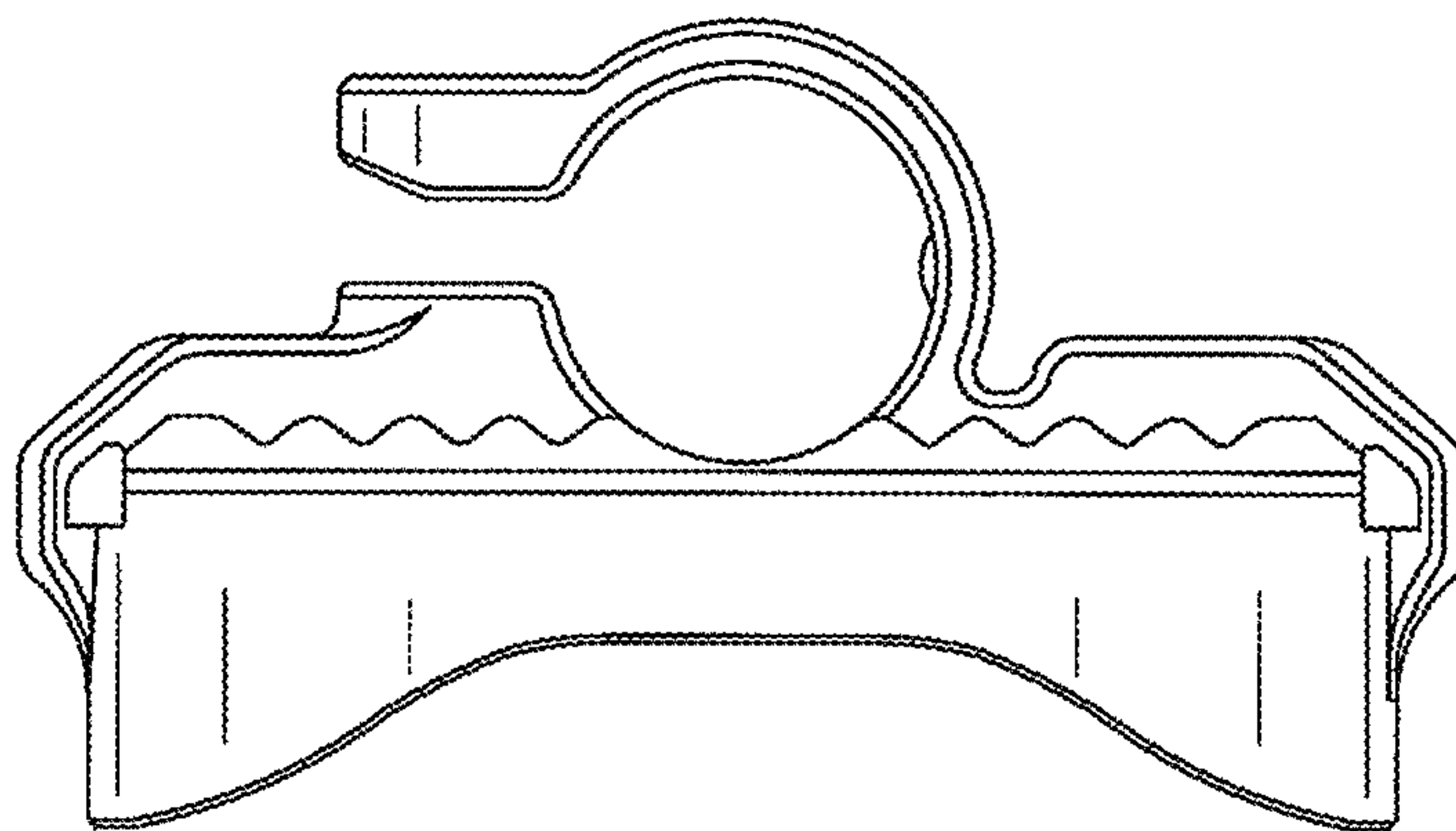


FIG. 5

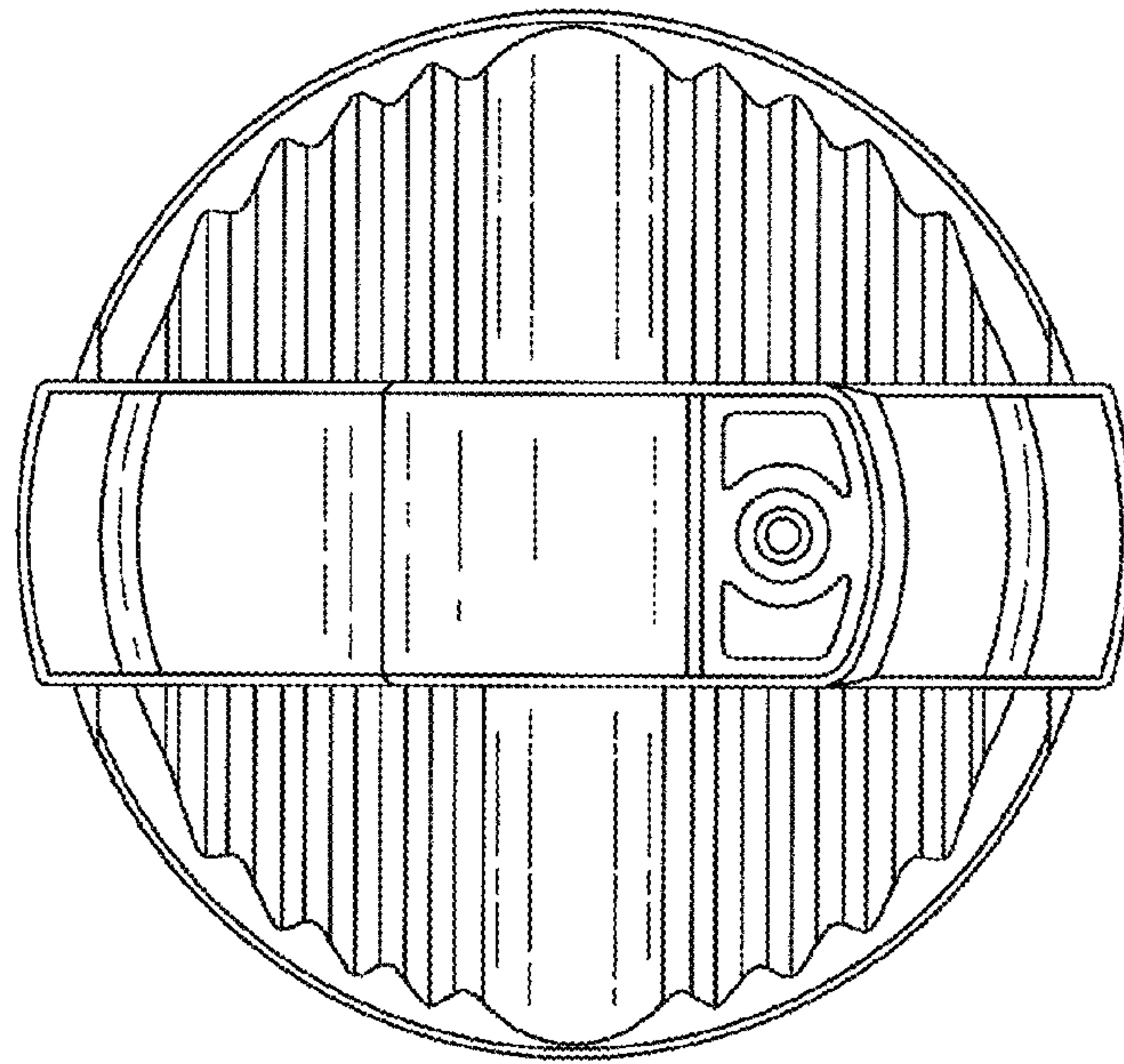


FIG. 6

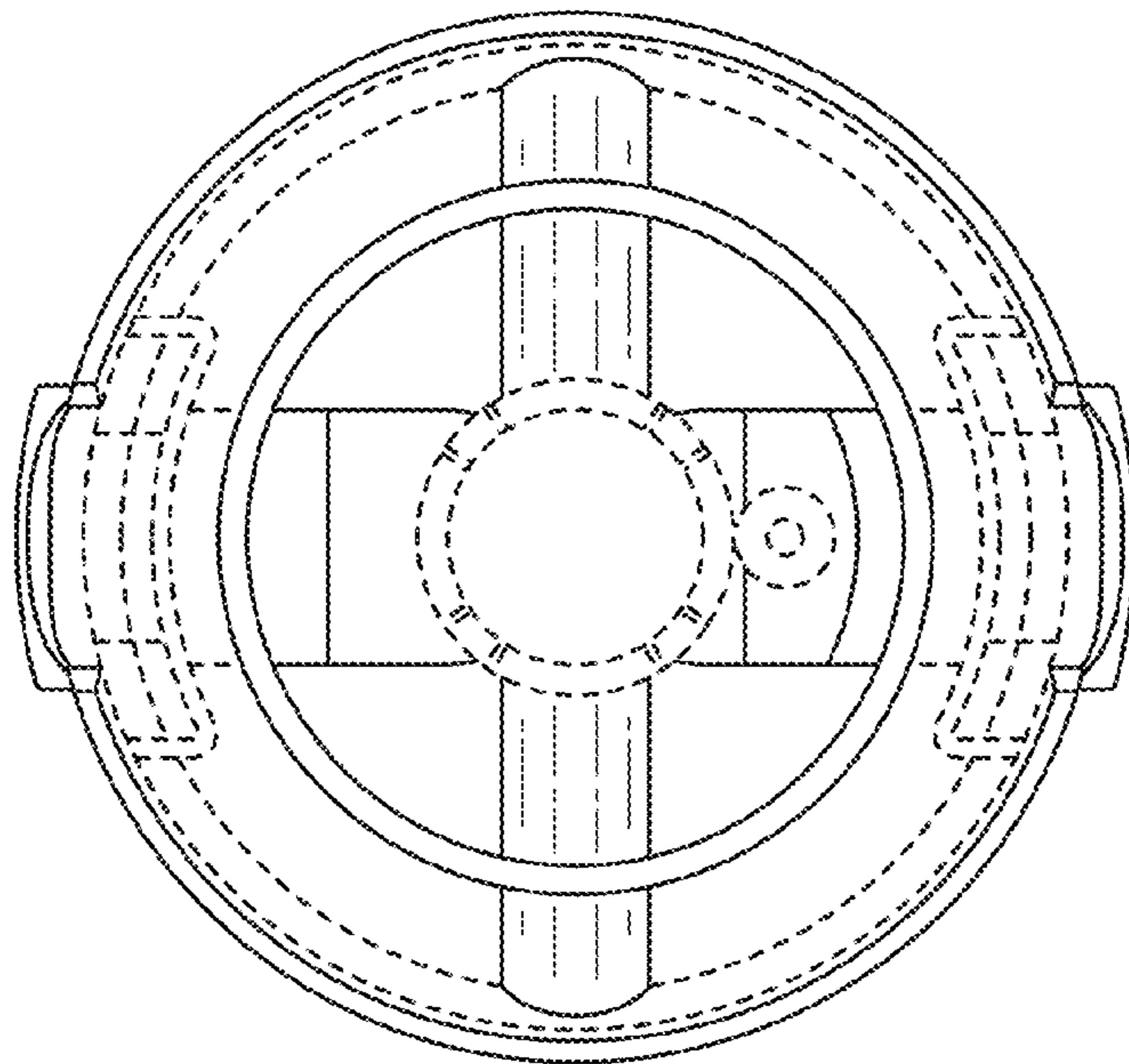


FIG. 7