



US00D716618S

(12) **United States Design Patent**
Escoda

(10) **Patent No.:** **US D716,618 S**

(45) **Date of Patent:** **** Nov. 4, 2014**

(54) **AGRICULTURAL TAPE BINDER**
(71) Applicant: **Desarrollos Especiales de Sistemas de Anclaje, S.A.**, Viladecans (ES)
(72) Inventor: **Carles Escoda**, Viladecans (ES)
(73) Assignee: **Desarrollos Especiales de Sistemas de Anclaje S.A.**, Viladecans (Barcelona) (ES)

4,763,700 A * 8/1988 Hidaka et al. 140/93.2
5,614,042 A * 3/1997 Nishide et al. 156/53
5,697,747 A * 12/1997 Sawada et al. 412/16
D408,698 S * 4/1999 Chen D8/44
D427,867 S * 7/2000 Kakita et al. D8/51
D445,011 S * 7/2001 Schneider et al. D8/61
6,899,505 B2 * 5/2005 Hataya 412/36
6,902,367 B2 * 6/2005 Hataya 412/36

* cited by examiner

Primary Examiner — Sheryl Lane

(74) *Attorney, Agent, or Firm* — Browdy and Neimark, PLLC

(**) Term: **14 Years**

(21) Appl. No.: **29/452,988**

(22) Filed: **Apr. 24, 2013**

(30) **Foreign Application Priority Data**

Oct. 24, 2012 (EP) K 002124495-0001

(51) **LOC (10) Cl.** **08-01**

(52) **U.S. Cl.**
USPC **D8/1**

(58) **Field of Classification Search**
USPC D8/1, 14, 49, 51, 52; D18/34.1; 412/36, 412/16; 53/76; 156/53
See application file for complete search history.

(56) **References Cited**

U.S. PATENT DOCUMENTS

3,039,249 A * 6/1962 Bouchard 53/583
4,232,498 A * 11/1980 Uchida 53/76

(57) **CLAIM**

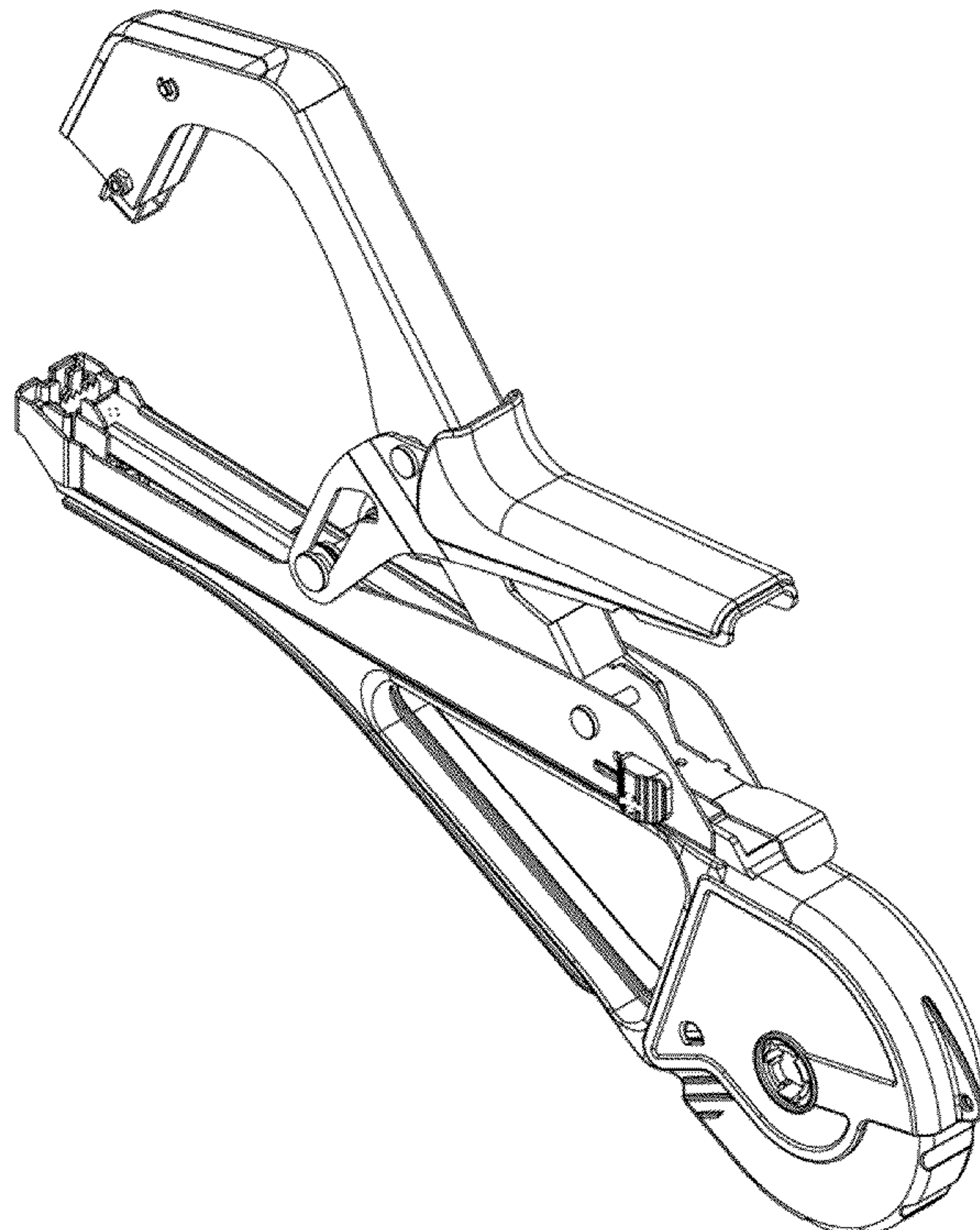
The ornamental design for an agricultural tape binder, as shown and described.

DESCRIPTION

FIG. 1 is a perspective view showing my new design for an agricultural tape binder,
FIG. 2 is another perspective view thereof,
FIG. 3 is a rear view thereof,
FIG. 4 is a front view thereof,
FIG. 5 is a top view thereof,
FIG. 6 is a bottom view thereof,
FIG. 7 is a right side view thereof; and,
FIG. 8 is a left side view thereof.

The broken lines represent portions of the article and form no part of the claimed design.

1 Claim, 6 Drawing Sheets



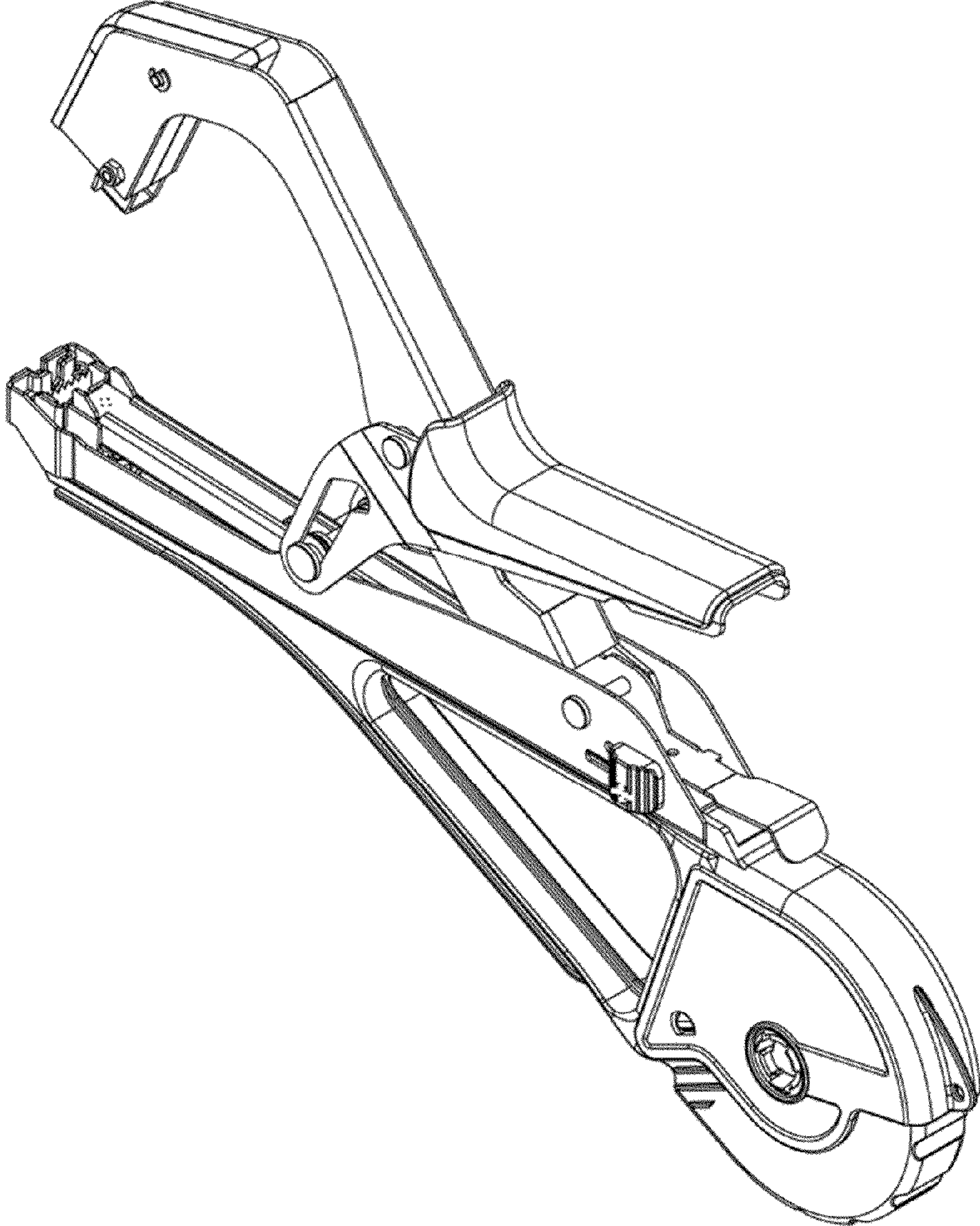


FIG. 1

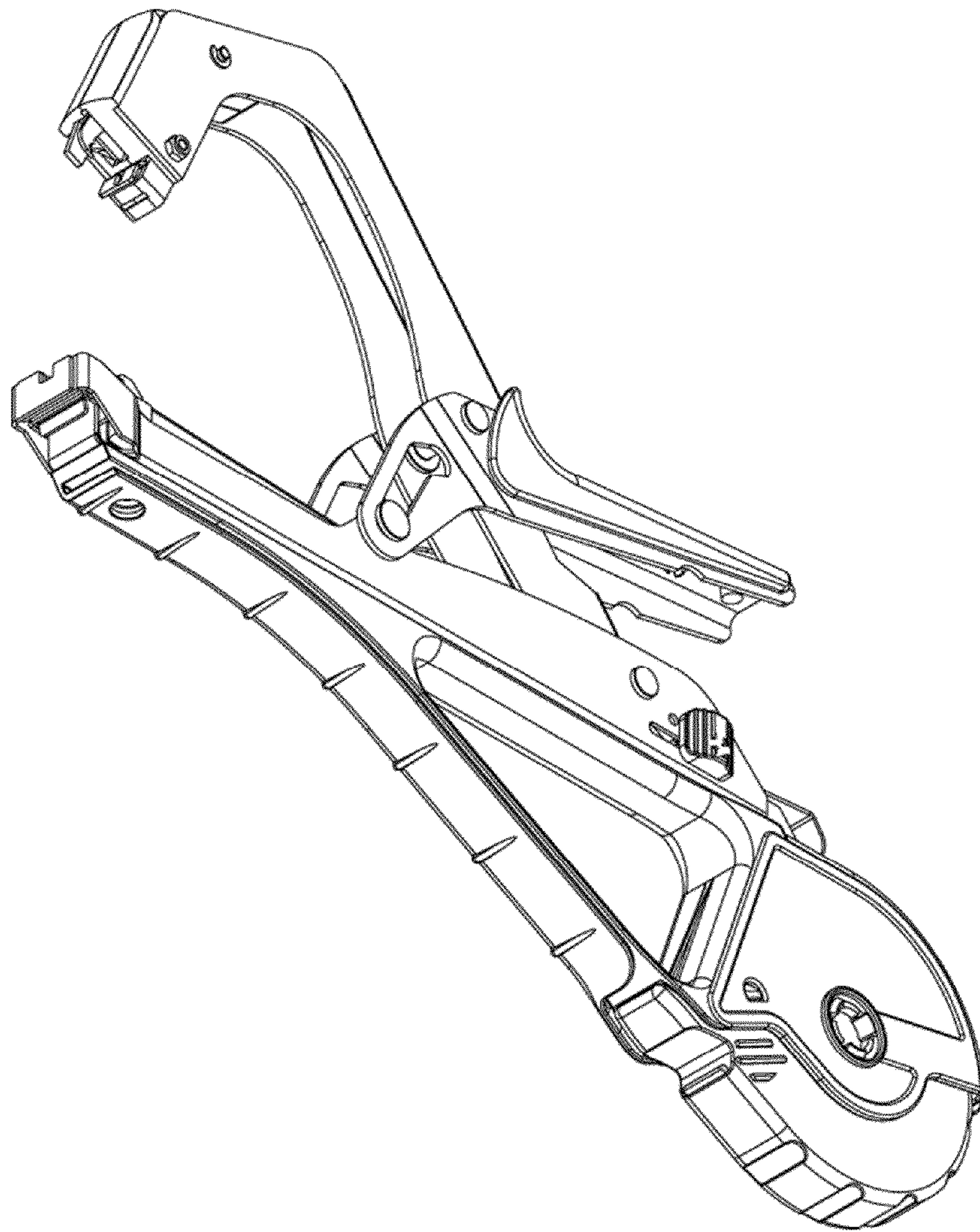


FIG. 2

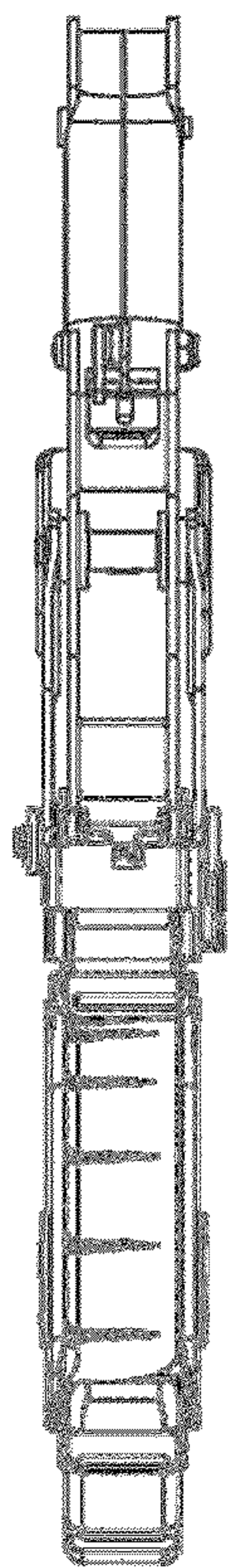


FIG. 3

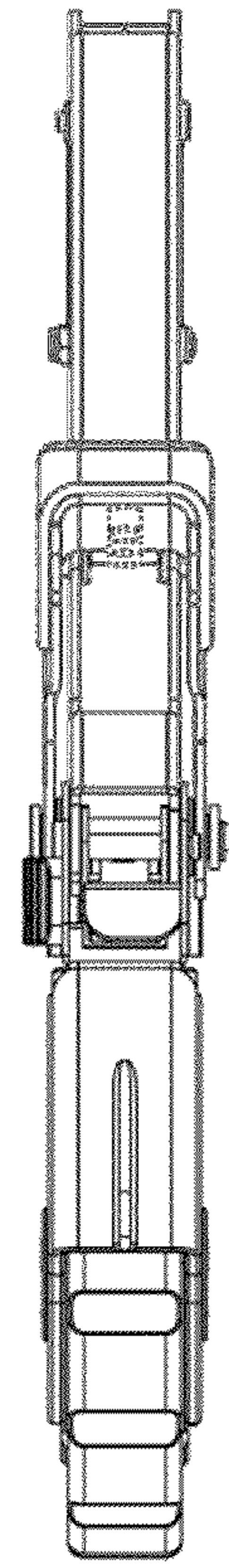


FIG. 4

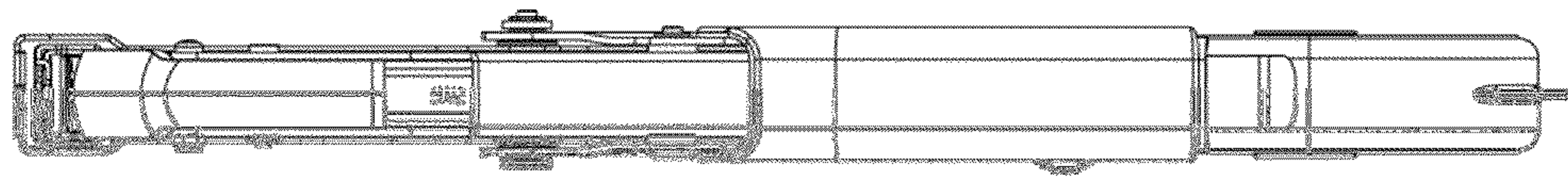


FIG. 5

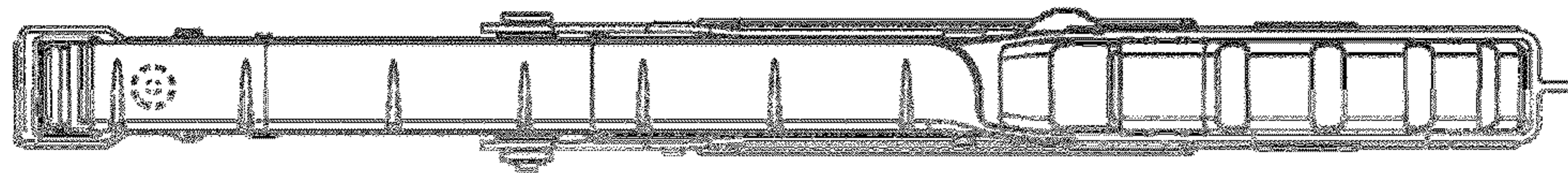


FIG. 6

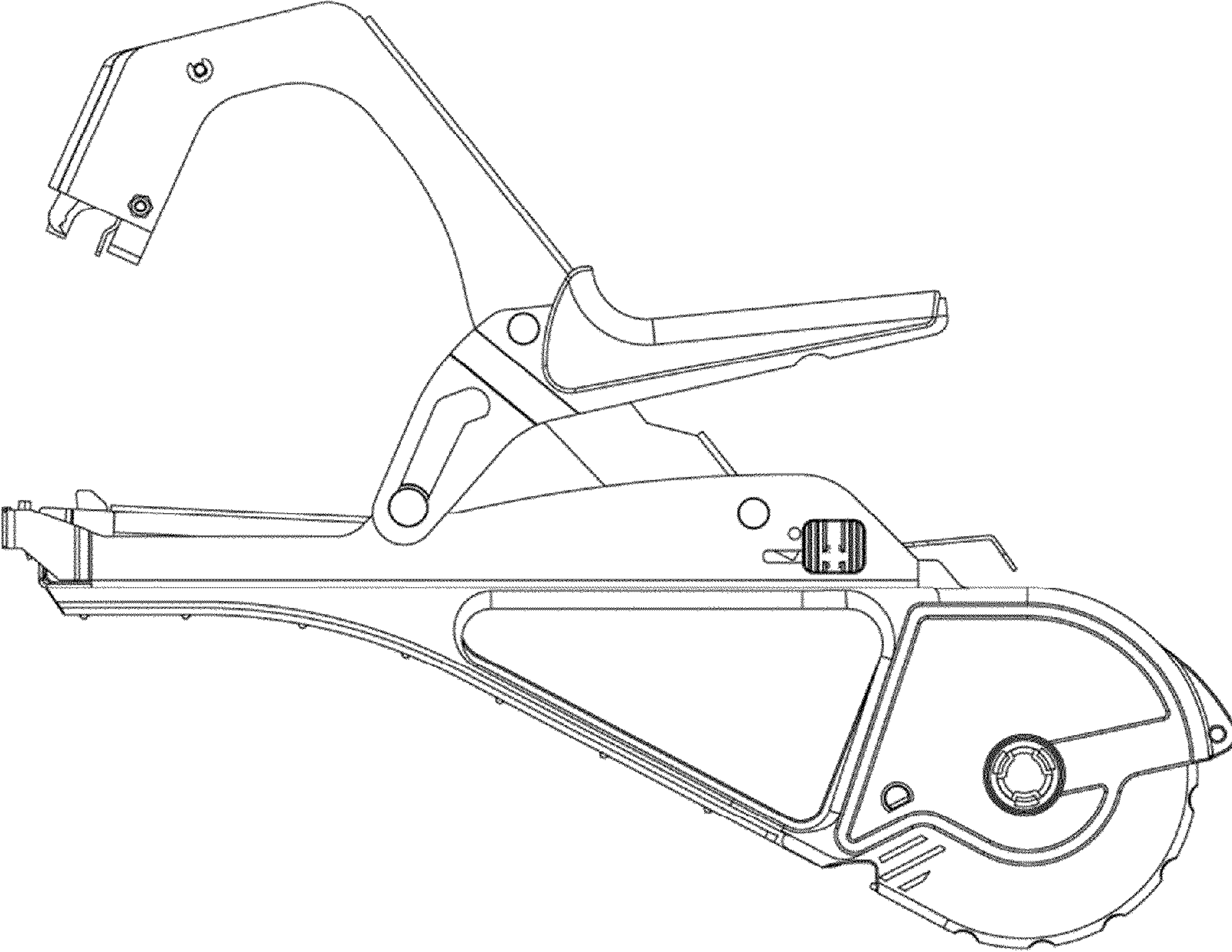


FIG. 7

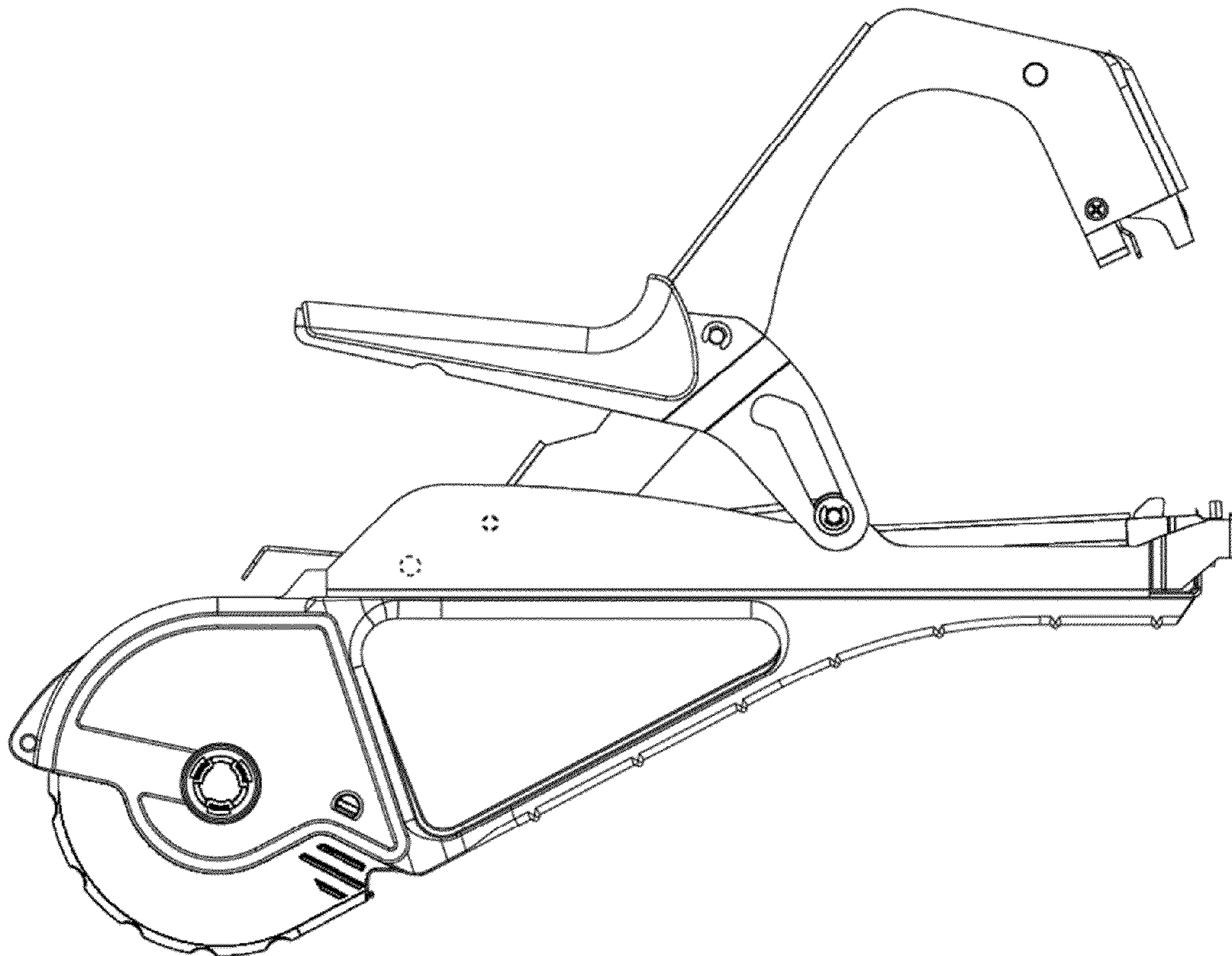


FIG. 8