



US00D716616S

(12) **United States Design Patent**
Hughes

(10) **Patent No.:** **US D716,616 S**
(45) **Date of Patent:** **** Nov. 4, 2014**

(54) **FUNNEL**

(71) Applicant: **Glenda Hughes**, Rivercourse (CA)

(72) Inventor: **Glenda Hughes**, Rivercourse (CA)

(**) Term: **14 Years**

(21) Appl. No.: **29/449,176**

(22) Filed: **Mar. 14, 2013**

(30) **Foreign Application Priority Data**

Sep. 25, 2012 (CA) 147524

(51) **LOC (10) CL.** **07-99**

(52) **U.S. CL.**
USPC **D7/700**

(58) **Field of Classification Search**

CPC A61F 5/4556; A61F 5/4553; A61F 5/455;
A61F 5/451; A61F 5/44; A61F 5/453; B01D
23/28; B01D 23/00; B01D 23/005; B01D
23/10; B01D 23/20; B01D 29/00; B01D
29/0002; B01D 29/0093; B01D 29/0095;
B01D 29/0097; B01D 29/01; B01D 29/085;
B01D 29/11; B01D 29/112; B01D 29/114;
B01D 29/117; B01D 29/13; B01D 29/31;
B01D 29/115; B01D 29/118; B01D 29/15;
B01D 29/23; B01D 29/33; B01D 29/35;
B65B 39/00; B65B 39/04; B65B 39/001;
B65B 39/006; B65B 39/007; B65B 39/06;
B65B 39/12; B65B 39/14; F16N 31/00;
B67C 2011/00; B67C 2011/02; B67C
2011/20; B67C 2011/30; B67C 2011/40;
B67C 2011/022; B67C 2011/027
USPC D7/700, 354, 356, 357, 361, 368, 396.2,
D7/667, 400, 409, 543, 523, 510, 512, 629,
D7/668, 669, 691, 589, 412, 415;
D30/129, 132, 162; D14/208;
D24/122, 121, 123; D23/200; D9/436,
D9/434, 503, 536; D10/46.2; D15/150,
D15/152; 210/314, 456, 464, 470-478,

210/497.1, 498, 499; 141/297-300,
141/331-345, 95, 98, 199-205, 384, 386;
99/324, 325, 339, 416, 415, 425, 426,
99/345, 495, 490, 505-510; 220/86.2;
100/110, 113, 116, 127, 213, 248;
604/327, 328, 329, 331, 346, 347, 349

See application file for complete search history.

(56) **References Cited**

U.S. PATENT DOCUMENTS

235,123 A * 12/1880 Bovey 141/18
442,857 A * 12/1890 Cole 141/204
639,583 A * 12/1899 Keene 210/311
1,233,352 A * 7/1917 Helcher 141/345
D53,139 S * 3/1919 Smith D14/208

(Continued)

OTHER PUBLICATIONS

Professol Funnel 02562, [online], retrieved on Jun. 10, 2014.
Retrieved from, <URL: <http://www.beltco.com.my/catalog/pressol-funnel-02562>>, 1 page.*

Primary Examiner — Ian Simmons

Assistant Examiner — Shannon Morgan

(74) *Attorney, Agent, or Firm* — Christensen O'Connor
Johnson Kindness PLLC

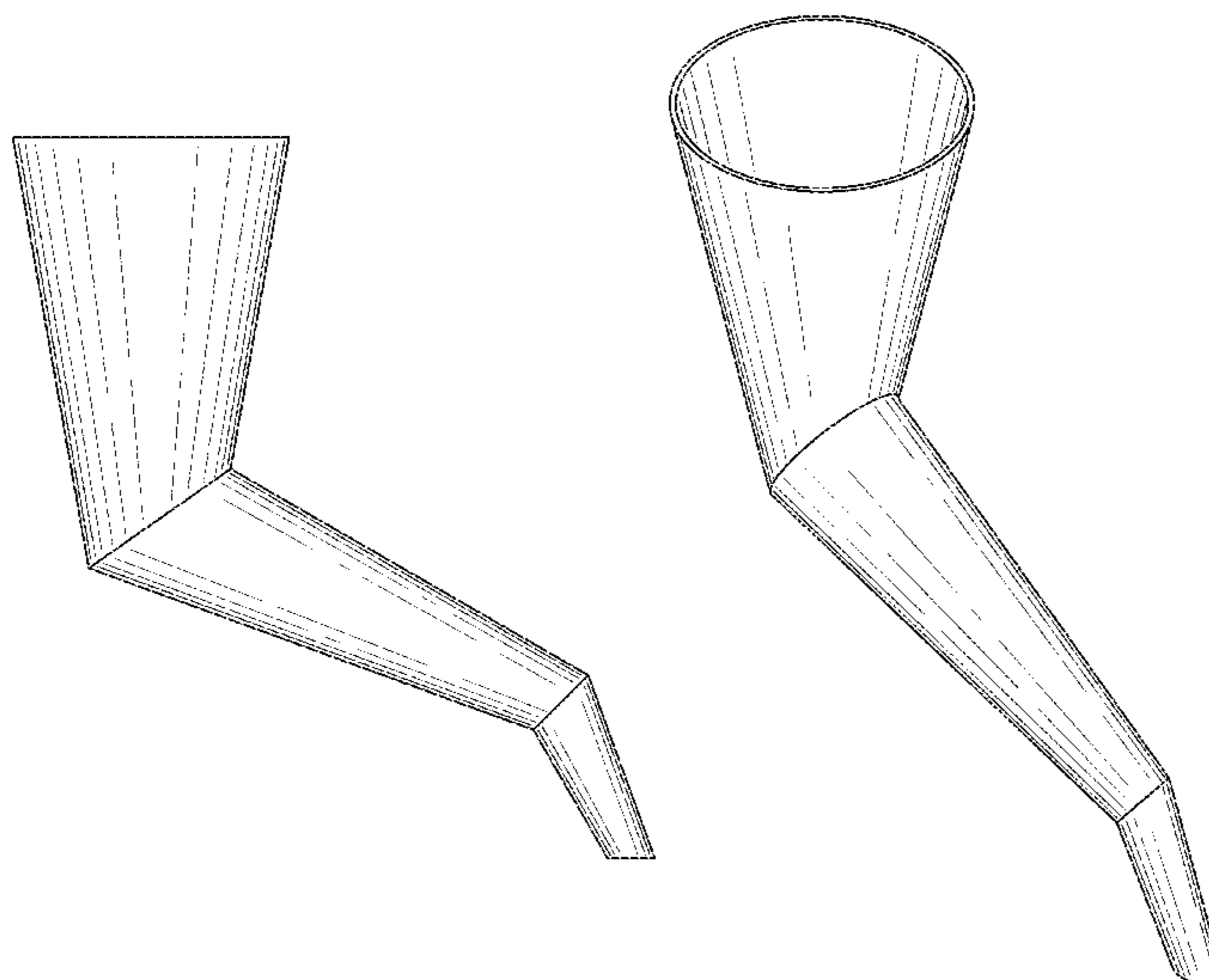
(57) **CLAIM**

The ornamental design for a funnel, as shown and described.

DESCRIPTION

FIG. 1 is a top plan view of a funnel showing my new design;
FIG. 2 is a left side elevation view thereof; the right side
elevation view being an identical mirror image thereof;
FIG. 3 is a bottom plan view thereof;
FIG. 4 is a front elevation view thereof;
FIG. 5 is a rear elevation view thereof; and,
FIG. 6 is a top, left perspective view thereof.

1 Claim, 3 Drawing Sheets



(56)

References Cited

U.S. PATENT DOCUMENTS

D56,644 S * 11/1920 Amreihn D14/208
 D218,773 S * 9/1970 Sitts D7/700
 D234,123 S * 1/1975 Ragagli D9/447
 4,130,147 A * 12/1978 Langlie et al. 141/98
 D263,715 S * 4/1982 Walter D15/199
 4,347,878 A * 9/1982 Schofield 141/300
 D288,059 S * 2/1987 Fling D8/34
 D288,520 S * 3/1987 Bozarth D7/398
 4,771,484 A * 9/1988 Mozell 4/144.4
 D299,301 S * 1/1989 Wirth D7/700

5,091,998 A * 3/1992 Witzke 4/144.4
 D340,468 S * 10/1993 Pollak et al. D15/150
 D371,601 S * 7/1996 Markles D24/122
 D450,118 S * 11/2001 Hyde D24/112
 D457,237 S * 5/2002 Azo D24/122
 7,308,920 B1 * 12/2007 Theis et al. 141/331
 D559,470 S * 1/2008 Stevens et al. D30/121
 D577,435 S * 9/2008 Ivie et al. D24/122
 D662,654 S * 6/2012 Trudnowski D27/167
 8,337,477 B2 * 12/2012 Parks et al. 604/329
 2009/0056003 A1 * 3/2009 Ivie et al. 4/144.3
 2010/0154929 A1 * 6/2010 Makowiec et al. 141/339

* cited by examiner

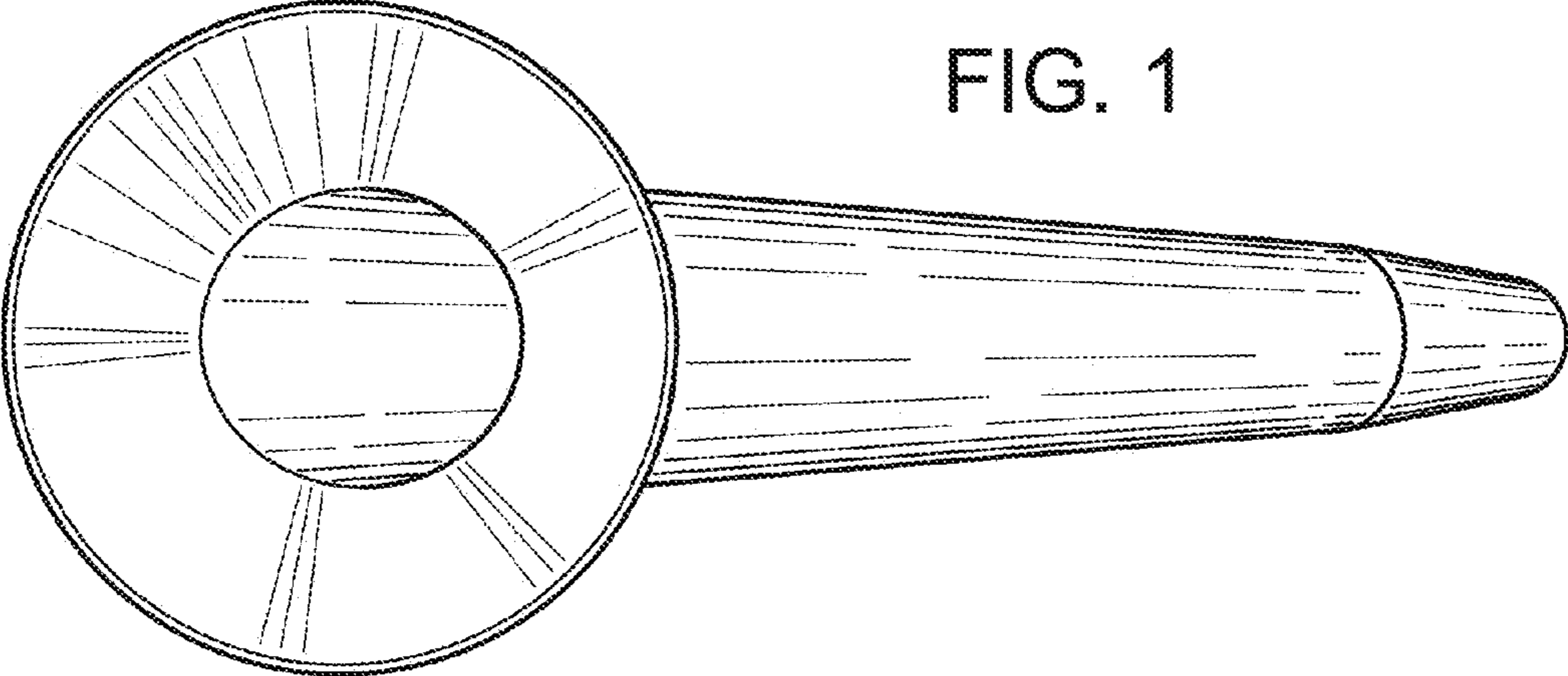


FIG. 1

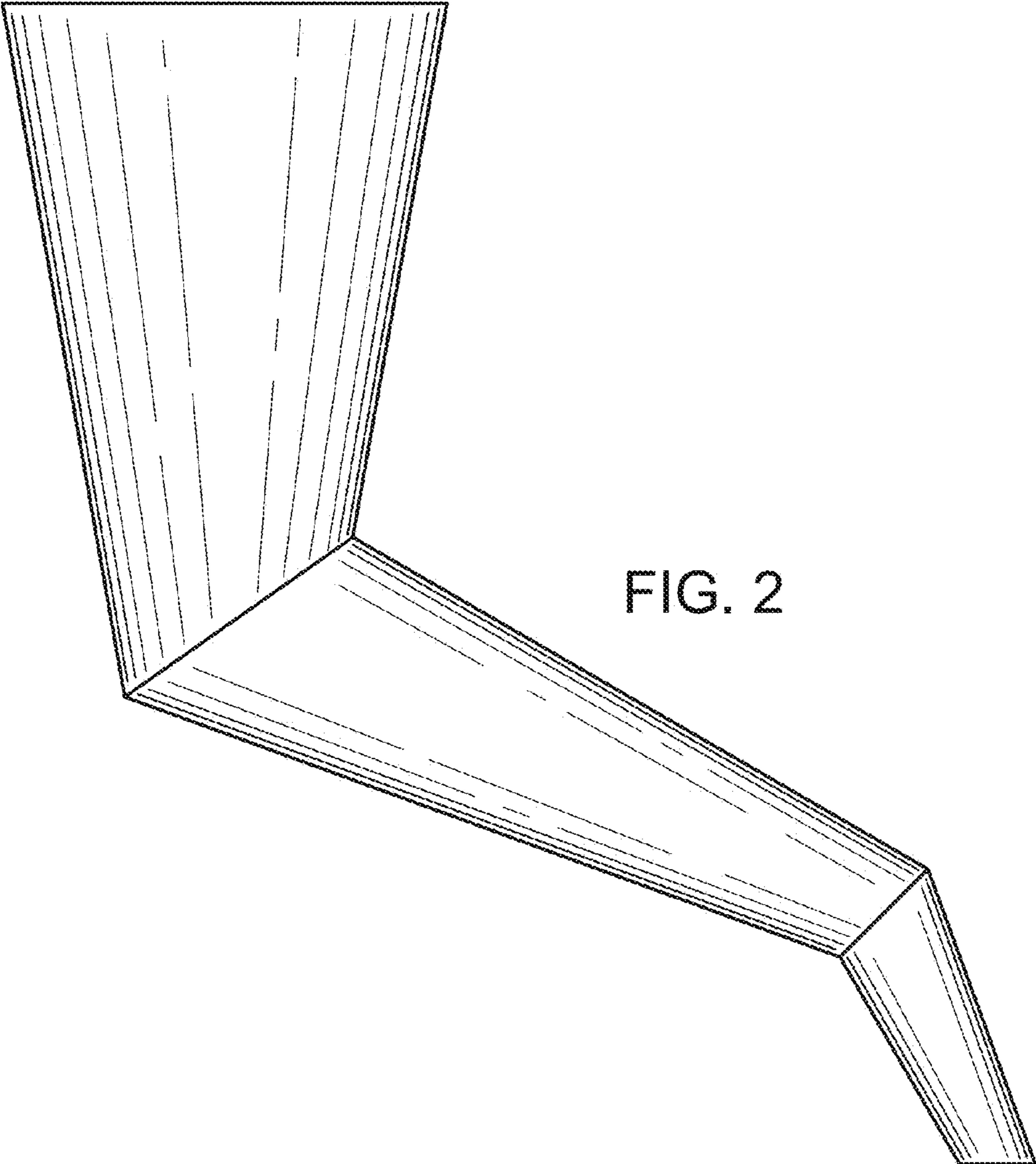
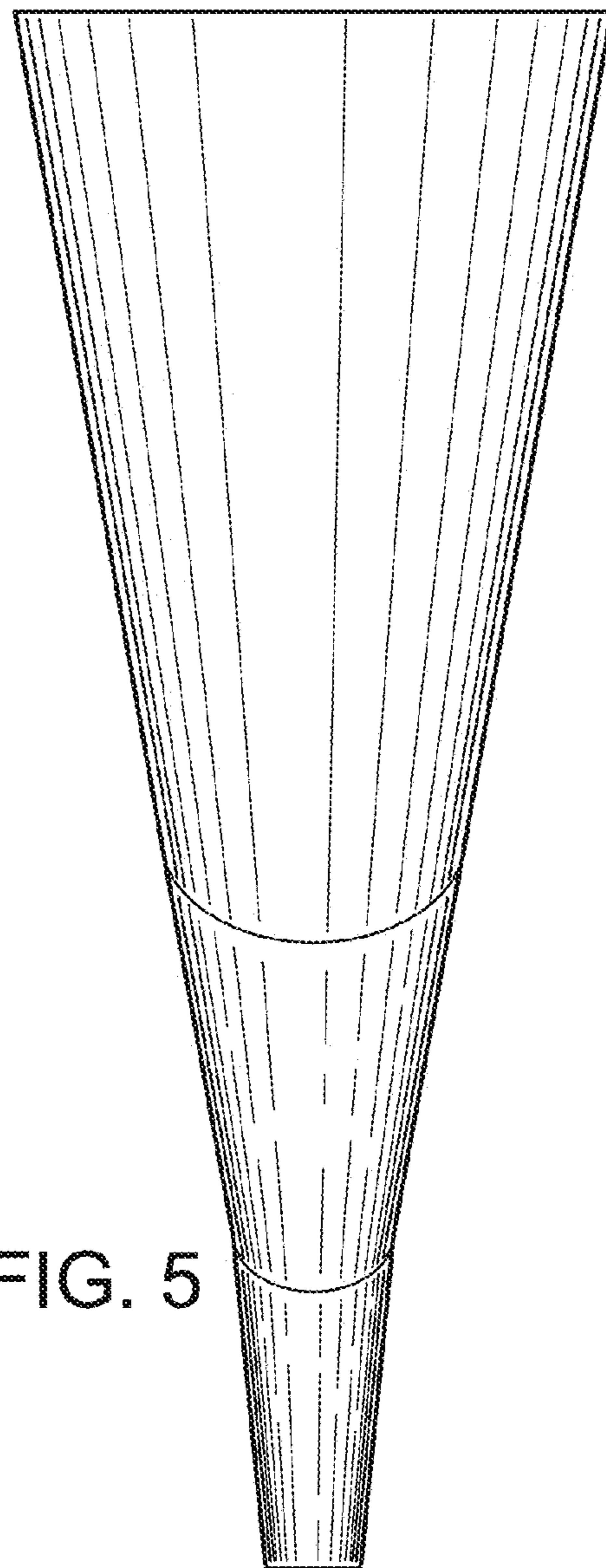
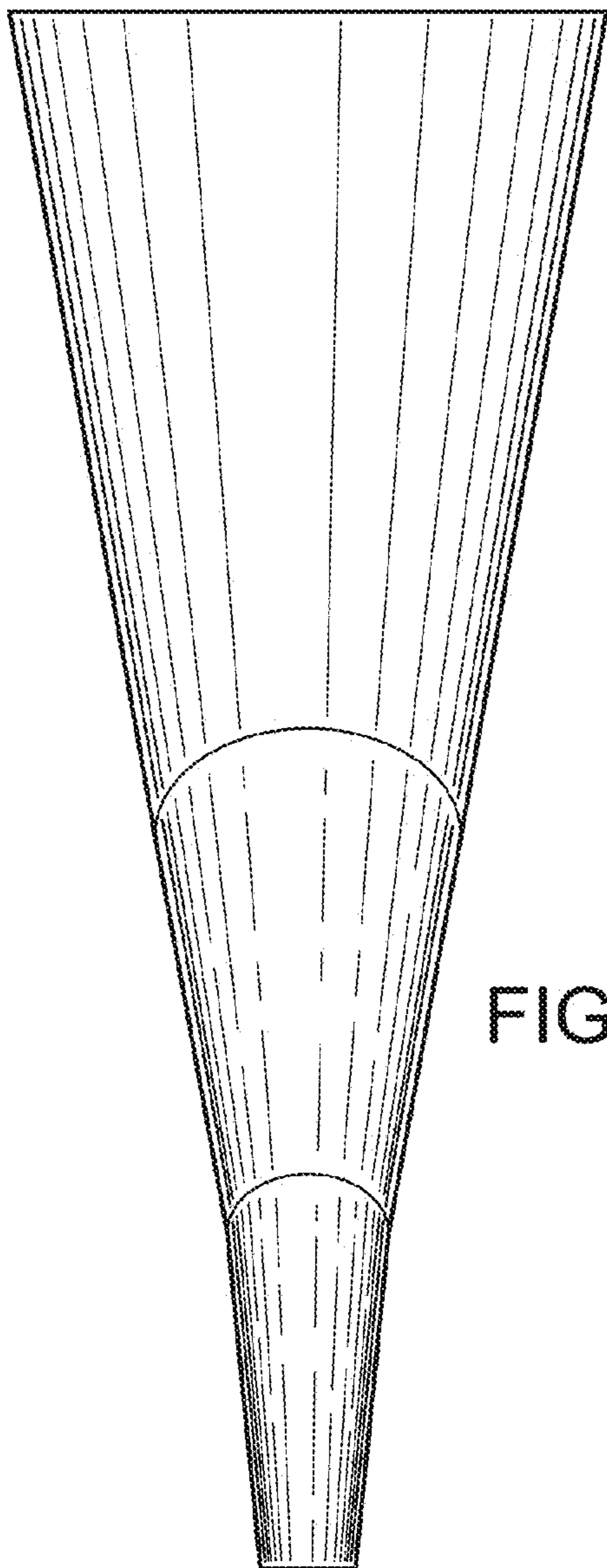
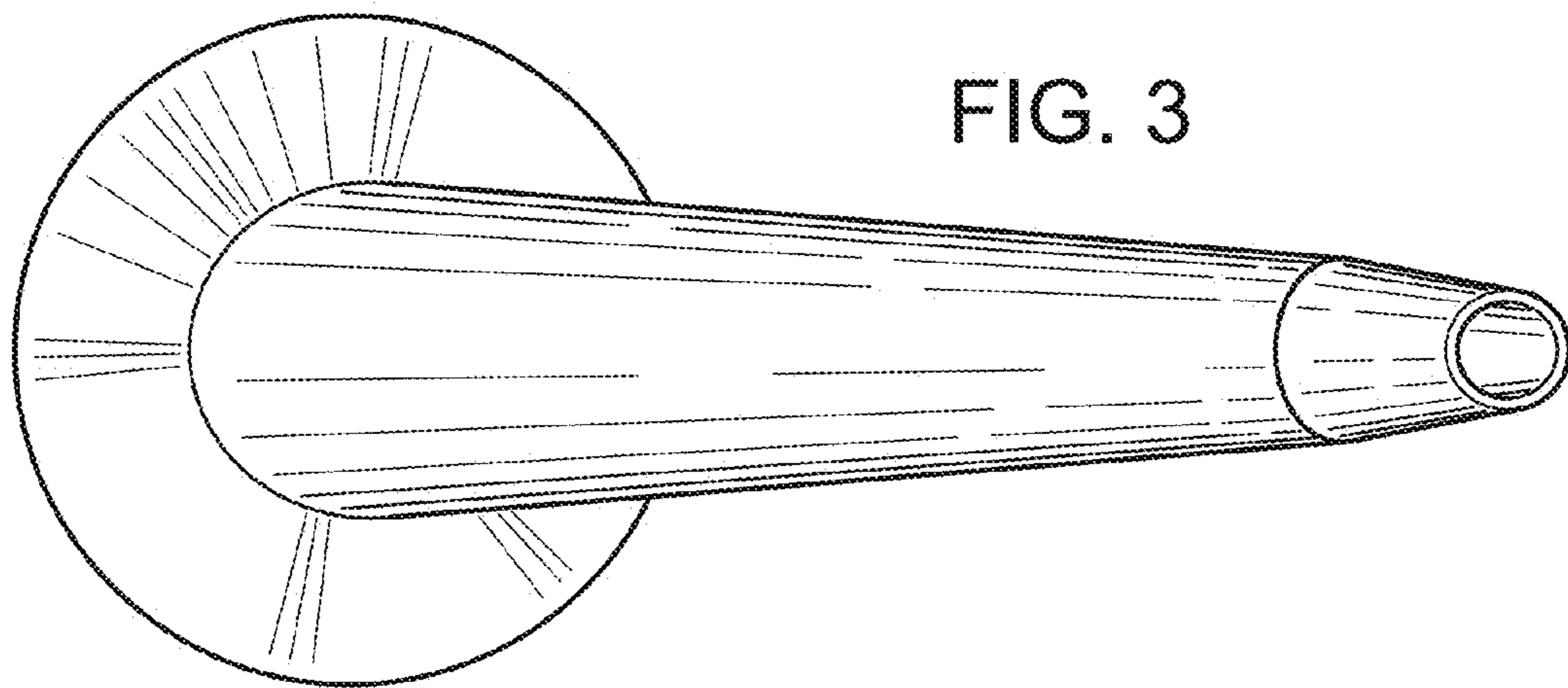


FIG. 2



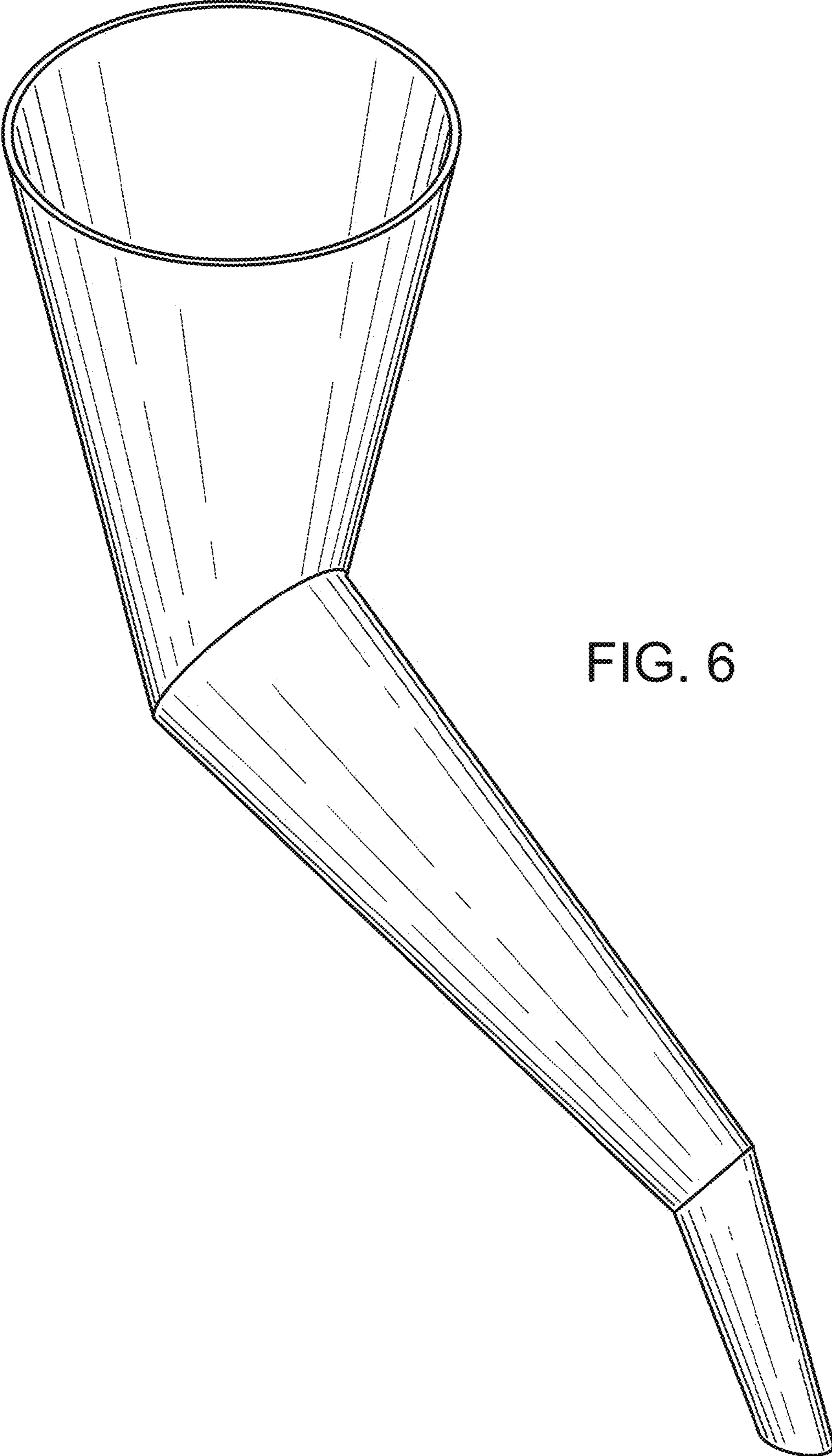


FIG. 6