



US00D716615S

(12) **United States Design Patent**
Grossman et al.

(10) **Patent No.:** **US D716,615 S**

(45) **Date of Patent:** **** Nov. 4, 2014**

(54) **DOUBLE SPOUT JUICER**

100/218, 283, 288, 208; 416/75, 70 R, 76,
416/77

(71) Applicant: **E. Mishan & Sons, Inc.**, New York, NY
(US)

See application file for complete search history.

(72) Inventors: **Daniel Grossman**, Brooklyn, NY (US);
Steven Mishan, New York, NY (US)

(56) **References Cited**

(73) Assignee: **E. Mishan & Sons, Inc.**, New York, NY
(US)

U.S. PATENT DOCUMENTS

(**) Term: **14 Years**

D325,322	S	*	4/1992	Maass	D7/384
5,479,851	A	*	1/1996	McClellan et al.	99/512
D471,408	S	*	3/2003	Fouquet	D7/665
6,609,455	B2	*	8/2003	Fouquet	99/511
D501,370	S	*	2/2005	Hensel et al.	D7/665
D502,048	S	*	2/2005	Lin	D7/384
D506,108	S	*	6/2005	Cohen et al.	D7/665
D513,943	S	*	1/2006	Hsu	D7/665
D522,321	S	*	6/2006	Hsu	D7/665
7,066,082	B2	*	6/2006	O'Loughlin	99/511
D526,540	S	*	8/2006	Cohen et al.	D7/665

(21) Appl. No.: **29/454,864**

(22) Filed: **May 15, 2013**

(Continued)

Related U.S. Application Data

Primary Examiner — Ian Simmons

(63) Continuation-in-part of application No. 29/452,607,
filed on Apr. 18, 2013.

Assistant Examiner — Shannon Morgan

(51) **LOC (10) Cl.** **07-04**

(74) *Attorney, Agent, or Firm* — Notaro, Michalos &
Zaccaria P.C.

(52) **U.S. Cl.**
USPC **D7/665**

(57) **CLAIM**

The ornamental design for a double spout juicer, as shown
and described.

(58) **Field of Classification Search**

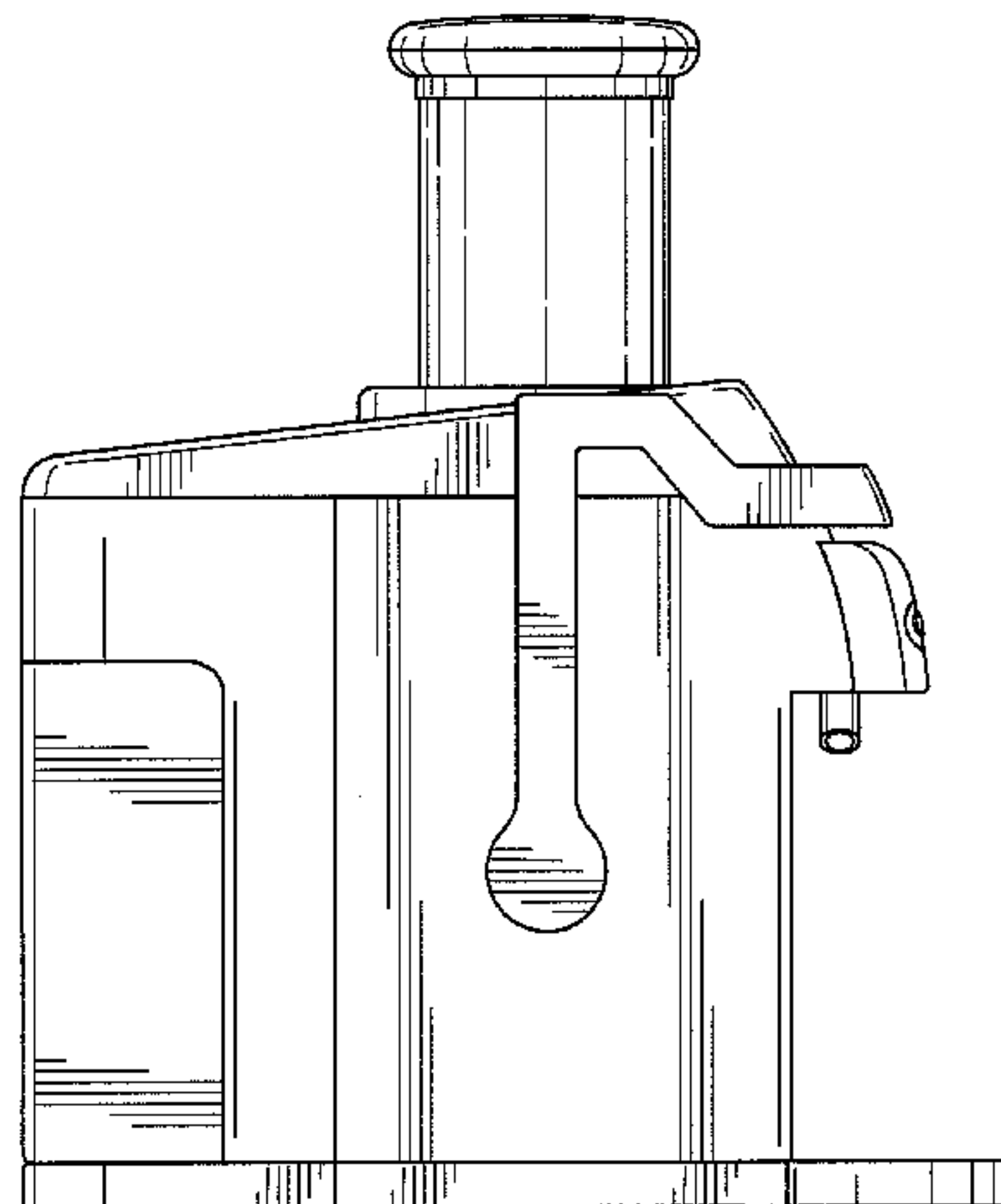
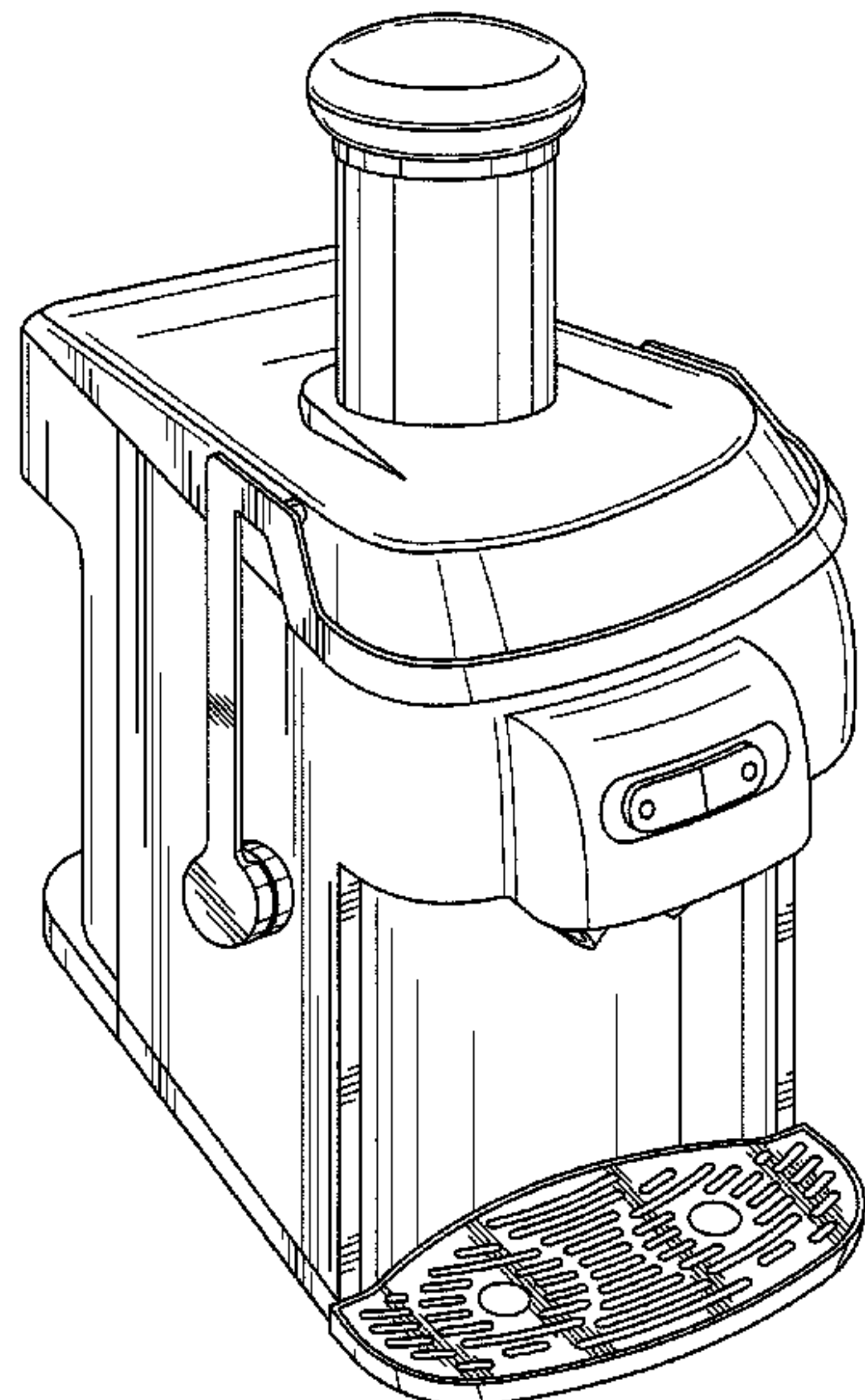
DESCRIPTION

CPC A47J 19/02; A47J 19/027; A47J 19/00;
A47J 19/06; A47J 19/022; A47J 44/00;
A47J 44/02; A47J 43/00; A47J 43/25; A47J
43/046; A47J 43/0722; A47J 31/06; A47J
31/02; A47J 31/04; A23N 1/02; A23N 1/00;
A23N 1/003; A23N 1/006

USPC D7/368, 665-667, 412, 376-386, 372,
D7/373, 375, 374, 300, 304, 305, 309, 310,
D7/311, 312, 313; 241/92, 101.1-101.73,
241/285.1-285.3, 36, 37.5, 100, 282.1;
99/501-513, 495, 499, 348, 357, 349,
99/369, 370, 496-497, 279, 280, 284,
99/290; 366/98, 142, 197-211, 241-254,
366/279-292, 341-347, 64-67; 100/213,

FIG. 1 is a top, left, front perspective view of a double spout
juicer showing our new design thereof;
FIG. 2 is a front elevational view thereof;
FIG. 3 is a rear elevational view thereof;
FIG. 4 is a left side elevational view thereof, the right side
elevational view being an identical mirror image thereof;
FIG. 5 is a top plan view thereof; and,
FIG. 6 is a bottom plan view thereof.
The broken lines in FIG. 6 of the double spout juicer are for
the purpose of illustrating environment, and form no part of
the claimed design.

1 Claim, 6 Drawing Sheets



(56)

References Cited

U.S. PATENT DOCUMENTS

D534,400 S *	1/2007	Cohen et al.	D7/665	D675,054 S *	1/2013	Agostini et al.	D7/309
D538,115 S *	3/2007	Lin	D7/665	D675,471 S *	2/2013	Averty	D7/309
D538,116 S *	3/2007	Siu	D7/665	D675,859 S *	2/2013	De Pra	D7/309
D540,127 S *	4/2007	Ye et al.	D7/665	D676,287 S *	2/2013	Ferraby	D7/665
D566,486 S *	4/2008	Wu	D7/665	D682,629 S *	5/2013	Bachmann et al.	D7/665
D572,092 S *	7/2008	Since	D7/665	2003/0061944 A1 *	4/2003	Fouquet	99/511
7,481,155 B2 *	1/2009	Larsen	99/511	2006/0086261 A1 *	4/2006	Cohen et al.	99/511
D594,717 S *	6/2009	Wu Chang	D7/665	2007/0261571 A1 *	11/2007	Esteve	99/504
D666,864 S *	9/2012	Dahlstrom	D7/309	2009/0272280 A1 *	11/2009	Cheung et al.	99/513
D668,498 S *	10/2012	Andreesen	D7/309	2010/0139504 A1 *	6/2010	Wu Chang	99/510
					2010/0300307 A1 *	12/2010	Huang	99/511
					2011/0154997 A1 *	6/2011	Huang	99/508

* cited by examiner

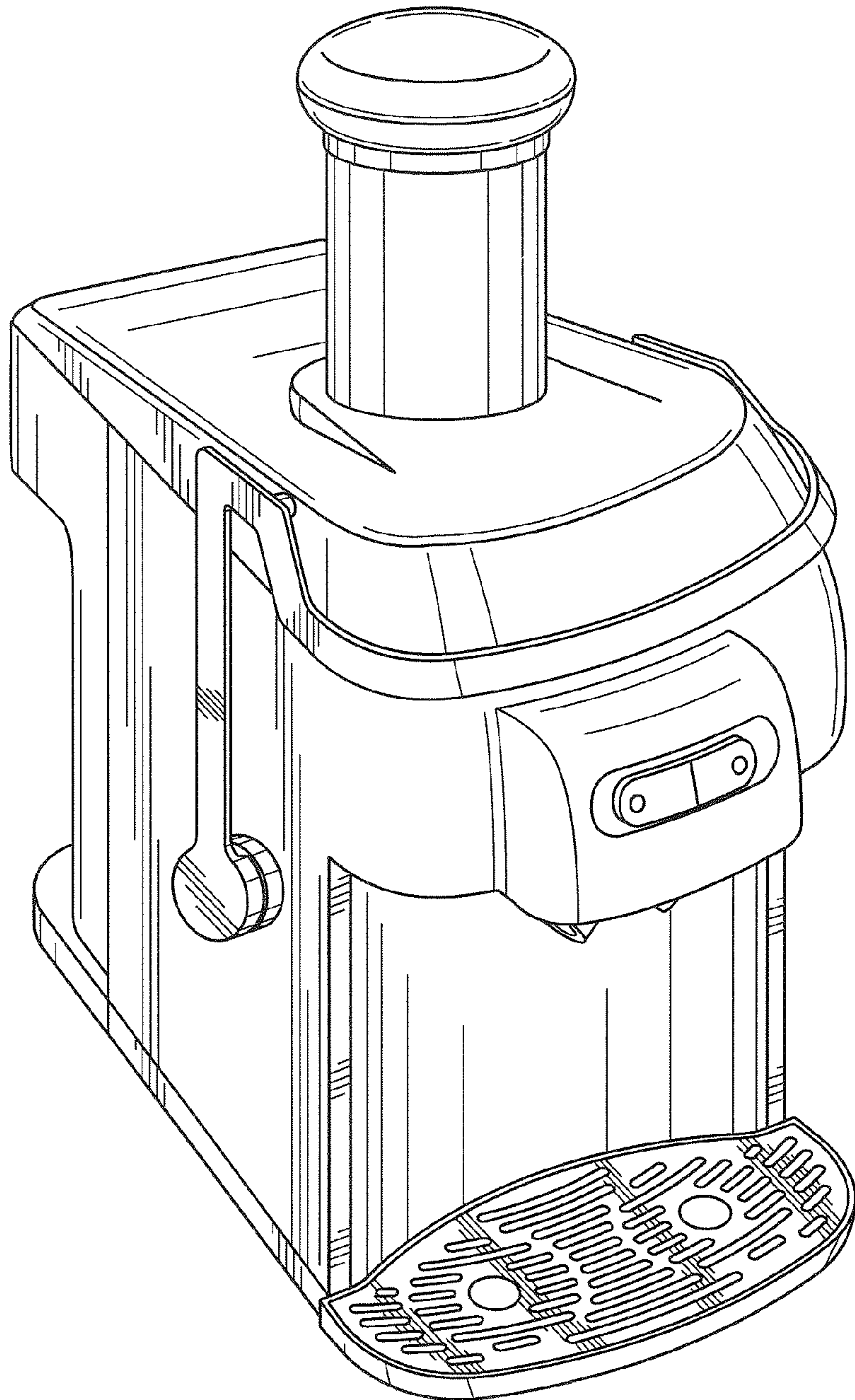


FIG. 1

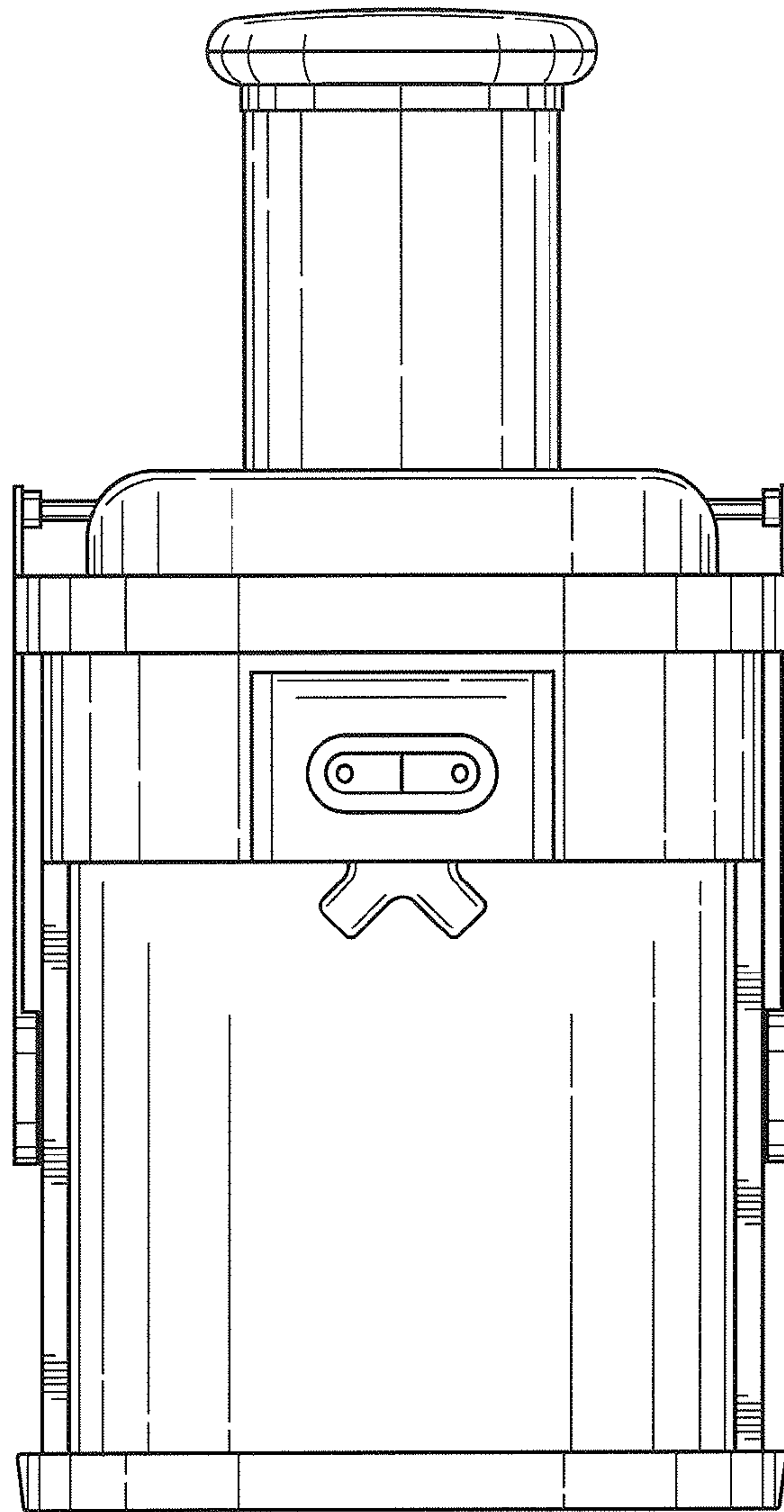


FIG. 2

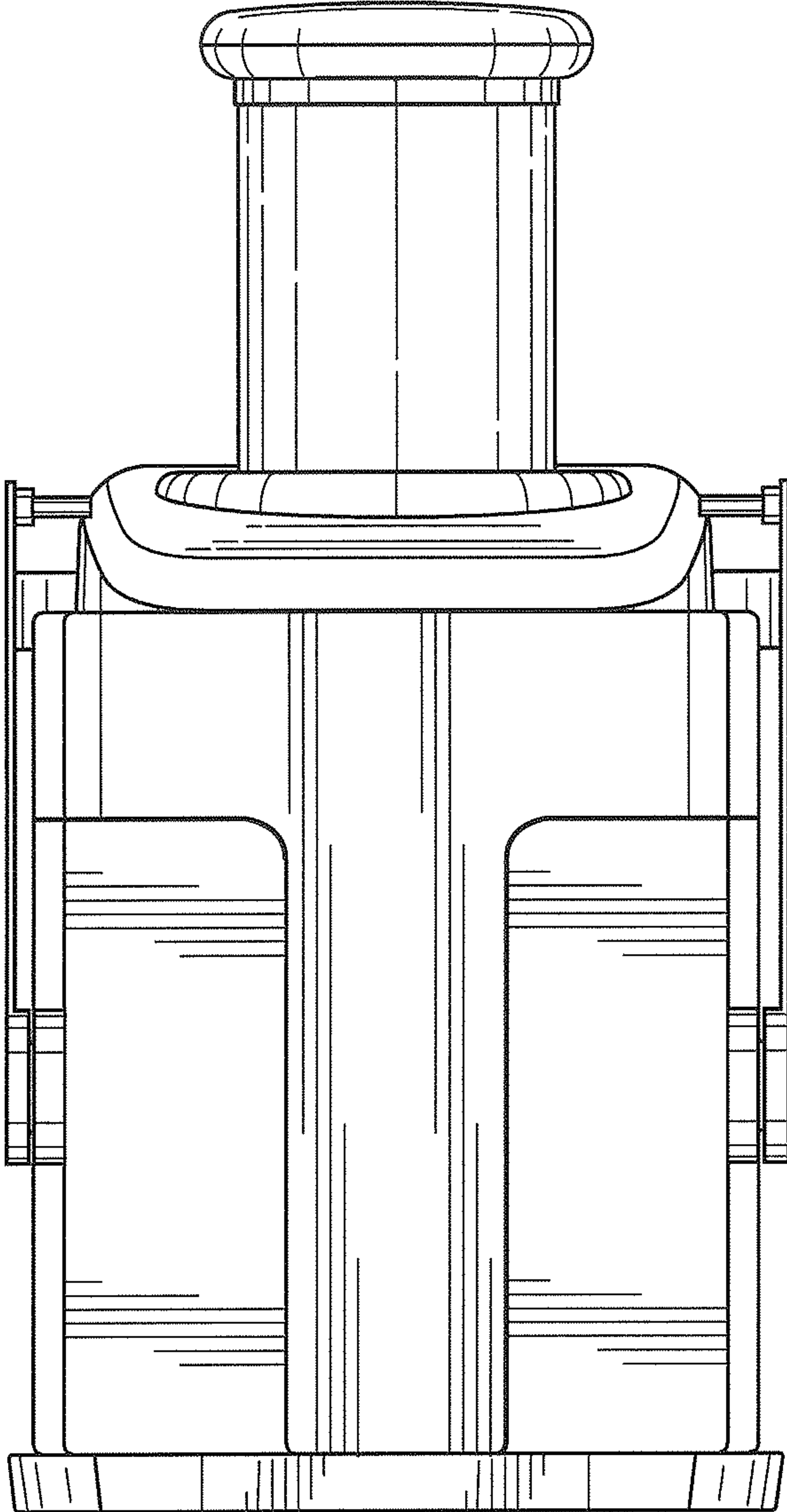


FIG. 3

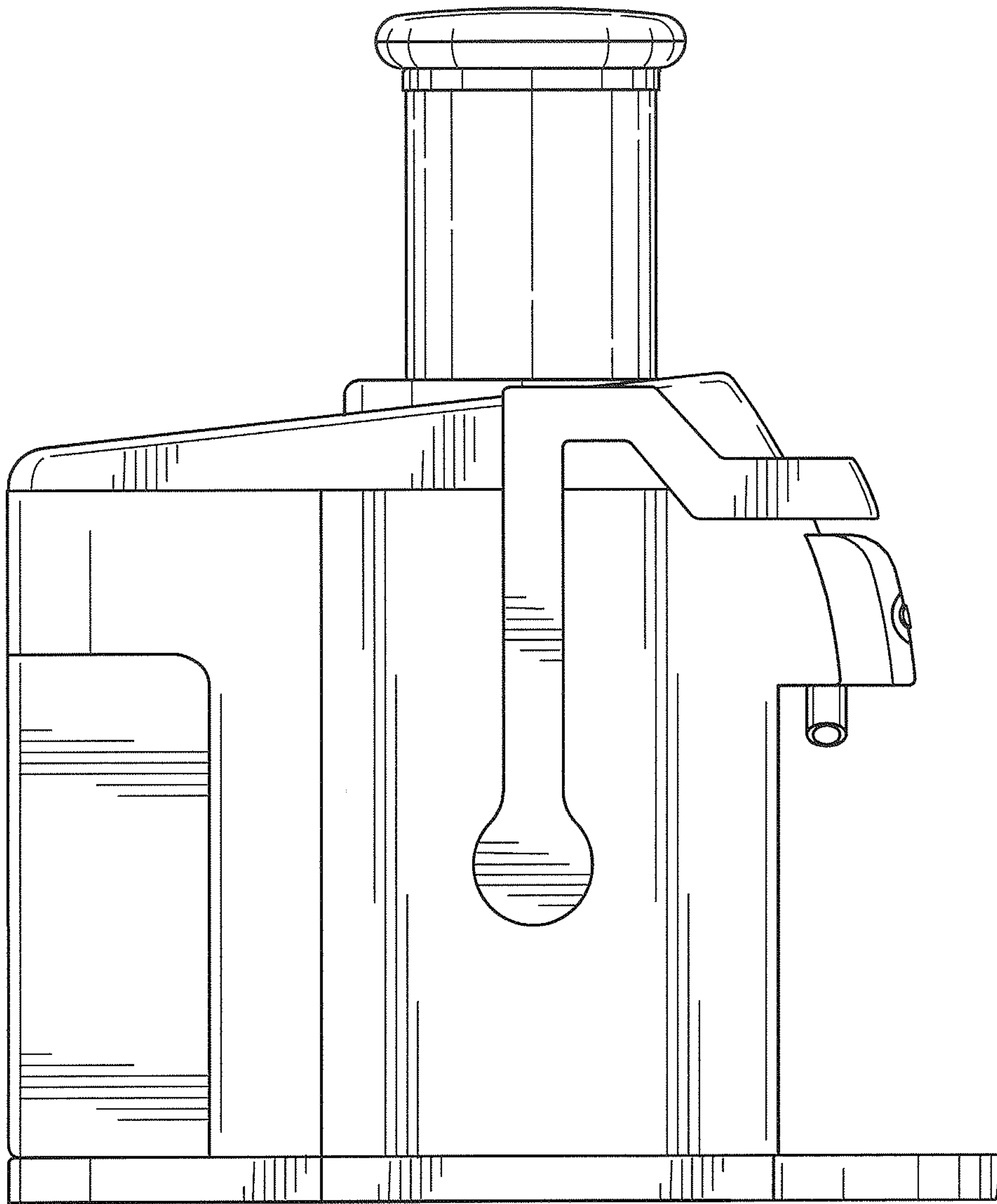


FIG. 4

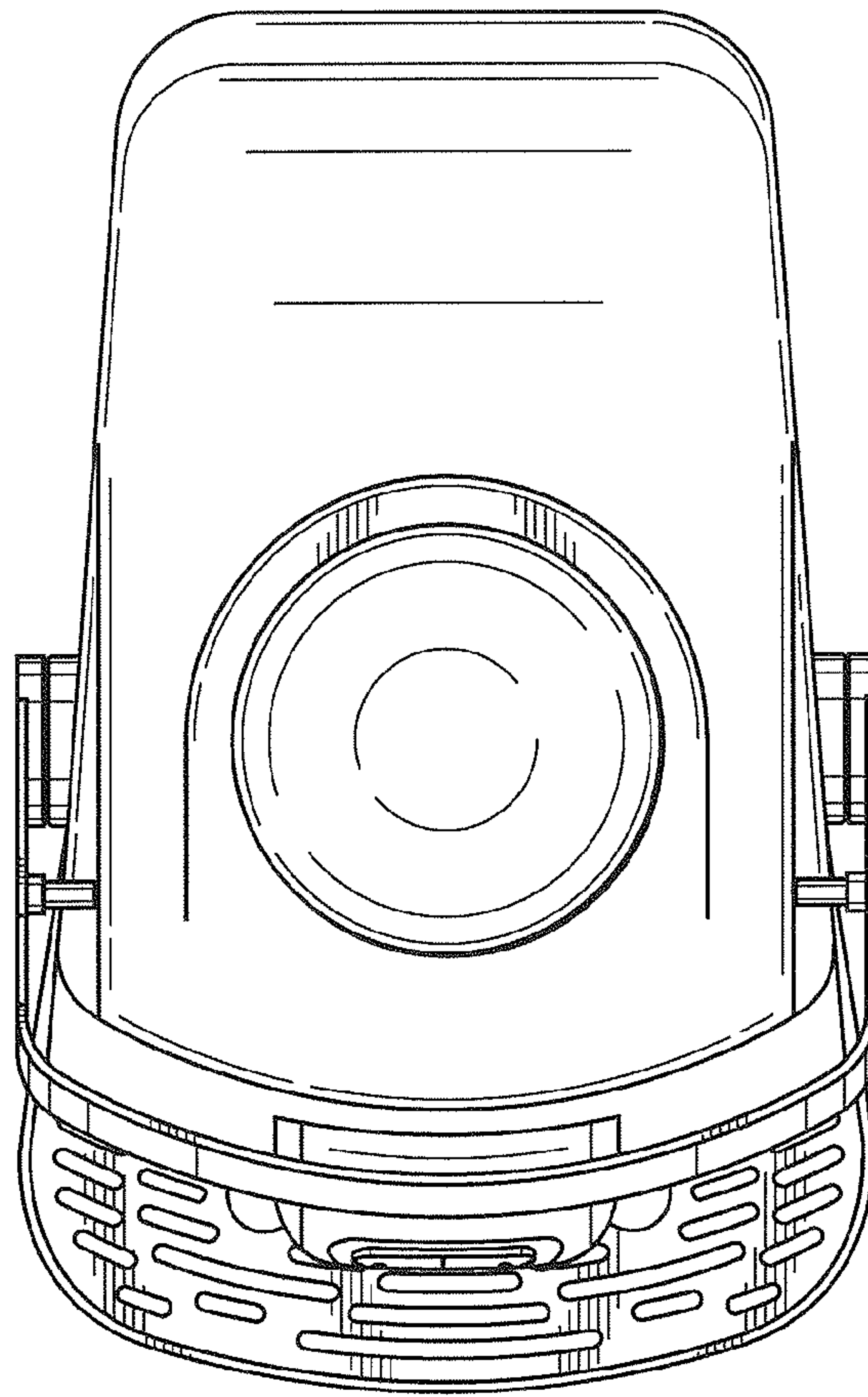


FIG. 5

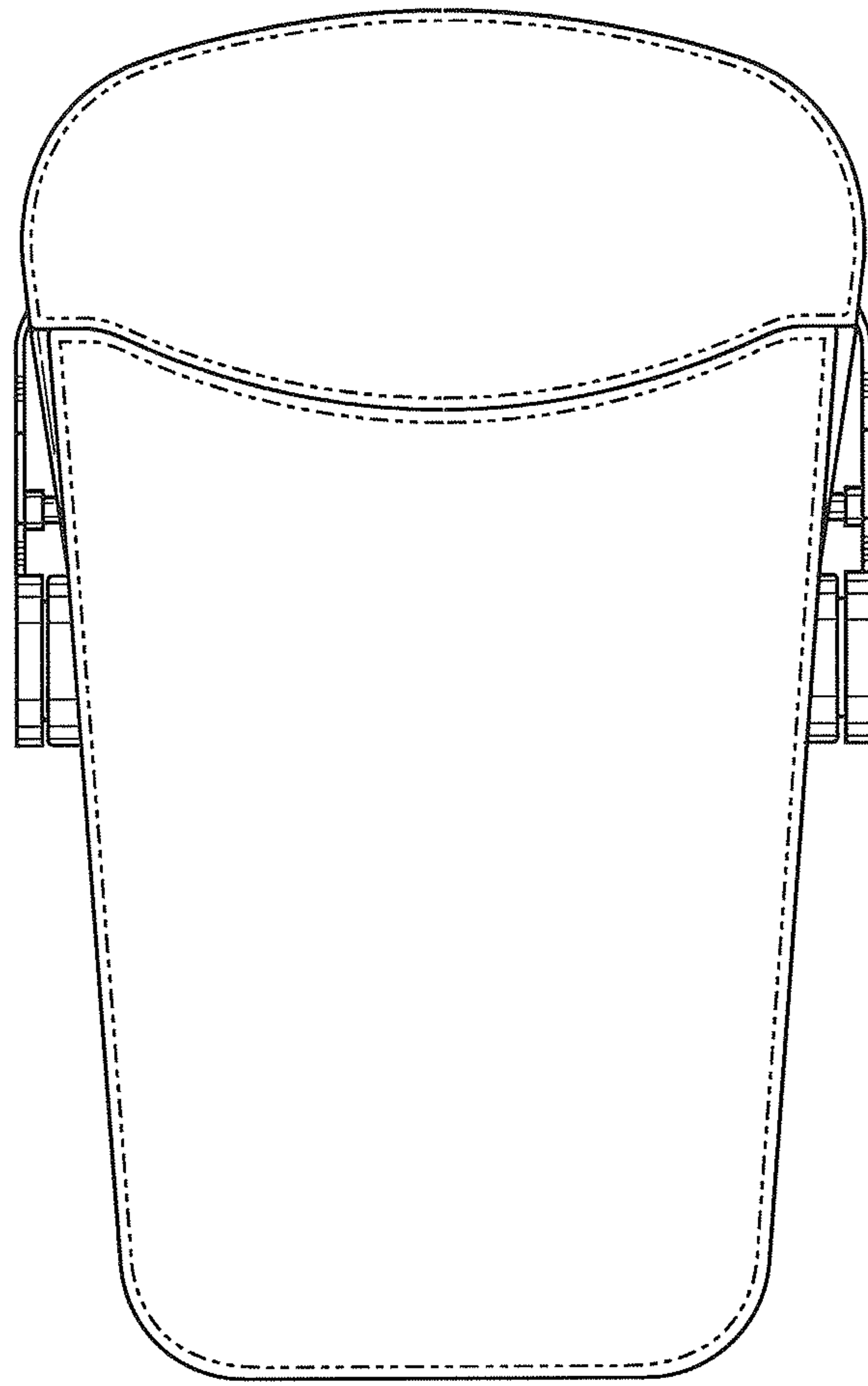


FIG. 6