



US00D716613S

(12) **United States Design Patent**
Carlson

(10) **Patent No.:** **US D716,613 S**

(45) **Date of Patent:** **** *Nov. 4, 2014**

- (54) **CONTAINER BASE**
- (71) Applicant: **The Decor Corporation Pty. Ltd.,**
Scoresby (AU)
- (72) Inventor: **Arthur Richard Carlson,** Hawthorn
(AU)
- (73) Assignee: **The Decor Corporation Pty. Ltd.,**
Scoresby, Victoria (AU)
- (*) Notice: This patent is subject to a terminal disclaimer.
- (**) Term: **14 Years**
- (21) Appl. No.: **29/450,674**
- (22) Filed: **Mar. 20, 2013**

D162,579 S	3/1951	Roop
D170,104 S	7/1953	'Zabel
D186,194 S	9/1959	Beverlin
3,142,413 A	7/1964	Grogel
3,384,263 A	5/1968	Bernstein
D220,448 S	4/1971	Swett
D224,553 S	8/1972	Swett
D224,554 S	8/1972	Swett
D229,916 S	1/1974	Schneider
D232,703 S	9/1974	Konzi
D234,568 S	3/1975	Swett
D235,406 S	6/1975	Daenen
D238,137 S	12/1975	Swett
D238,148 S	12/1975	Dilot
D240,114 S	6/1976	Martinelli
D241,599 S	9/1976	Croyle
D241,703 S	10/1976	Ashton
4,046,310 A	9/1977	Gustafsson
D256,557 S	8/1980	Ikushima et al.
D267,703 S	1/1983	Chase et al.
D281,048 S	* 10/1985	Wolff D7/602

(Continued)

- (30) **Foreign Application Priority Data**
Sep. 21, 2012 (AU) 14740/2012
- (51) **LOC (10) Cl.** **07-07**
- (52) **U.S. Cl.**
USPC **D7/602**
- (58) **Field of Classification Search**
CPC B65D 2251/00
USPC D7/601, 602, 629, 630, 538-542;
D9/424-432; 229/406, 407;
220/780-806, 675, 669-673, 660, 236,
220/326, 324, 4.23-4.25
See application file for complete search history.

Primary Examiner — Terry Wallace
(74) *Attorney, Agent, or Firm* — Cook Alex Ltd.

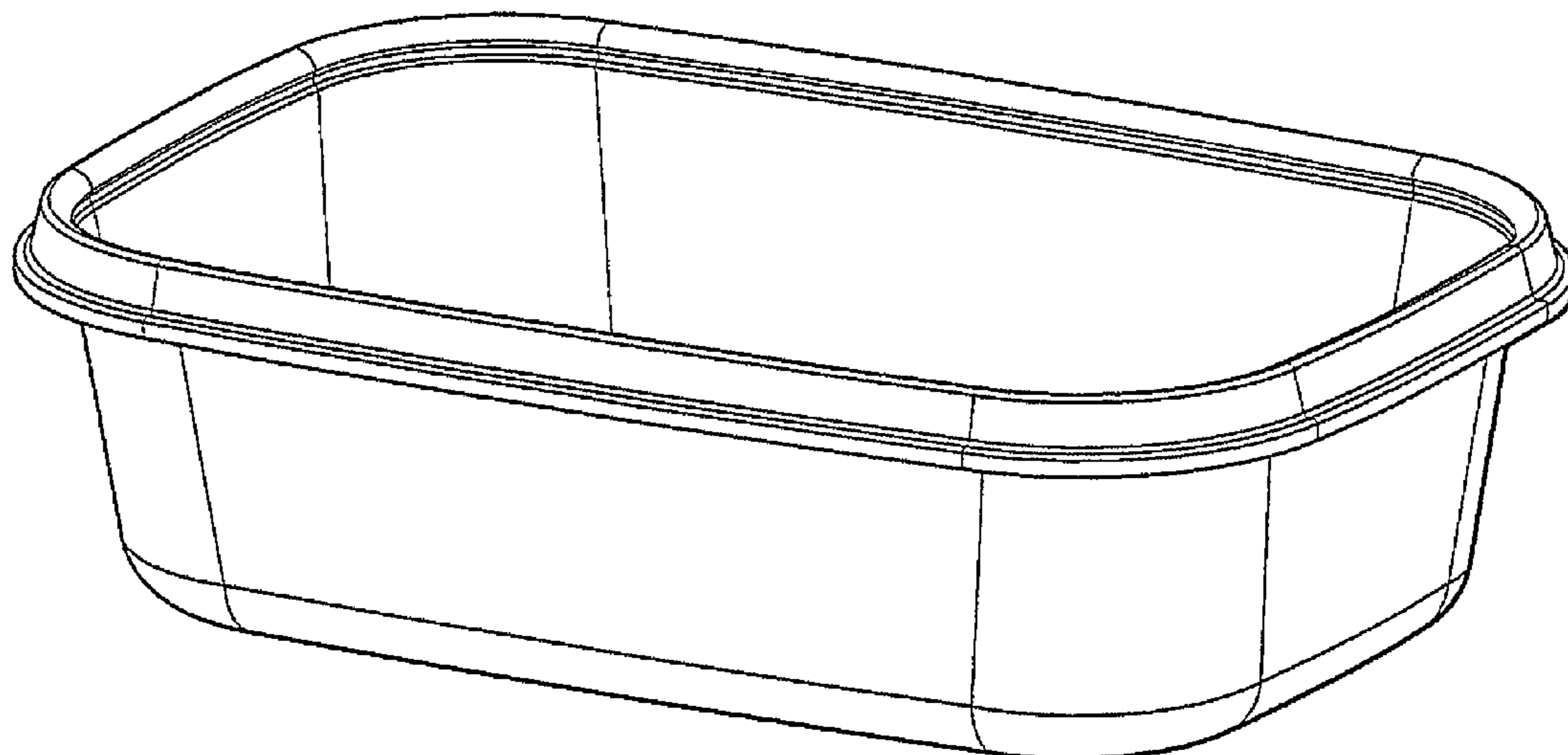
(57) **CLAIM**
The ornamental design for a container base, as shown and described.

DESCRIPTION

FIG. 1 is a front perspective view, from above, of the claimed design;
FIG. 2 is a rear perspective view, from beneath, of the claimed design;
FIG. 3 is a top plan view of the claimed design;
FIG. 4 is an underneath view of the claimed design;
FIG. 5 is a front view of the claimed design;
FIG. 6 is a rear view of the claimed design;
FIG. 7 is a left side view of the claimed design; and,
FIG. 8 is a right side view of the claimed design.

1 Claim, 8 Drawing Sheets

- (56) **References Cited**
U.S. PATENT DOCUMENTS
D3,357 S 2/1869 Pratt
D3,358 S 2/1869 Pratt
D117,714 S 11/1939 Guttman



(56)

References Cited

U.S. PATENT DOCUMENTS

D285,906 S	9/1986	Tyler		D542,591 S	5/2007	Carlson	
D287,559 S *	1/1987	Daenen et al.	D7/586	D548,588 S *	8/2007	Bouveret et al.	D9/428
D287,573 S	1/1987	Tyler		D555,476 S	11/2007	Nielsen et al.	
D289,719 S	5/1987	Daenen et al.		D571,200 S	6/2008	Bouveret et al.	
4,819,824 A *	4/1989	Longbottom et al.	220/266	D581,204 S	11/2008	Simon et al.	
D305,410 S	1/1990	Tyler		D584,145 S	1/2009	Young	
5,065,887 A	11/1991	Schuh et al.		D588,914 S	3/2009	Laurieu-Tedeschi	
D326,391 S	5/1992	Verchere		D593,855 S	6/2009	Scheve	
D330,660 S	11/1992	Newton et al.		D595,128 S	6/2009	Bouveret et al.	
D342,817 S	12/1993	Lippisch et al.		D601,386 S	10/2009	Carlson	
D351,791 S	10/1994	Morris, Sr.		D601,387 S	10/2009	Carlson	
D354,655 S	1/1995	Daenen et al.		D601,388 S	10/2009	Carlson	
D358,328 S	5/1995	Huerto et al.		D601,857 S	10/2009	Carlson	
D360,898 S	8/1995	Huerto et al.		D614,919 S *	5/2010	Carlson	D7/602
D363,662 S	10/1995	Plater		D618,516 S	6/2010	DiPietro et al.	
D365,273 S	12/1995	Indekeu		D630,899 S	1/2011	Samartgis	
D375,654 S	11/1996	Ferris		D630,900 S	1/2011	Samartgis	
D375,836 S	11/1996	Conti		D630,901 S	1/2011	Samartgis	
D377,739 S	2/1997	Carlson		D631,298 S	1/2011	Samartgis	
D379,287 S	5/1997	Carlson		D631,299 S	1/2011	Samartgis	
D384,864 S	10/1997	Carlson		D631,300 S	1/2011	Samartgis	
D403,582 S	1/1999	Nask et al.		D631,706 S	2/2011	Samartgis	
D403,583 S	1/1999	Nask et al.		D631,707 S	2/2011	Samartgis	
D403,924 S	1/1999	Carlson		D642,905 S	8/2011	Samartgis	
D404,571 S	1/1999	Evans		D642,906 S	8/2011	Samartgis	
D413,231 S	8/1999	Loew et al.		D642,907 S	8/2011	Samartgis	
D420,859 S	2/2000	Loew et al.		D643,710 S	8/2011	Samartgis	
D428,310 S	7/2000	Zettle et al.		D643,711 S	8/2011	Samartgis	
D440,725 S	4/2001	Zimmerman		D643,712 S	8/2011	Samartgis	
D446,117 S	8/2001	Conti		D644,883 S	9/2011	Samartgis	
D448,133 S	9/2001	Windle		D644,884 S	9/2011	Samartgis	
D457,784 S	5/2002	Torniainen et al.		D644,885 S	9/2011	Samartgis	
D469,320 S	1/2003	Pettaweebuncha		D644,886 S *	9/2011	Samartgis	D7/602
D484,797 S	1/2004	Kipperman et al.		D644,887 S	9/2011	Samartgis	
D513,376 S	1/2006	Shannon		D644,888 S	9/2011	Samartgis	
D536,248 S	2/2007	Lesquir		D655,576 S	3/2012	Samartgis	
D540,669 S	4/2007	George et al.		D655,577 S	3/2012	Samartgis	
				D655,578 S	3/2012	Samartgis	
				2009/0120937 A1 *	5/2009	Vovan	220/266

* cited by examiner

FIG. 1

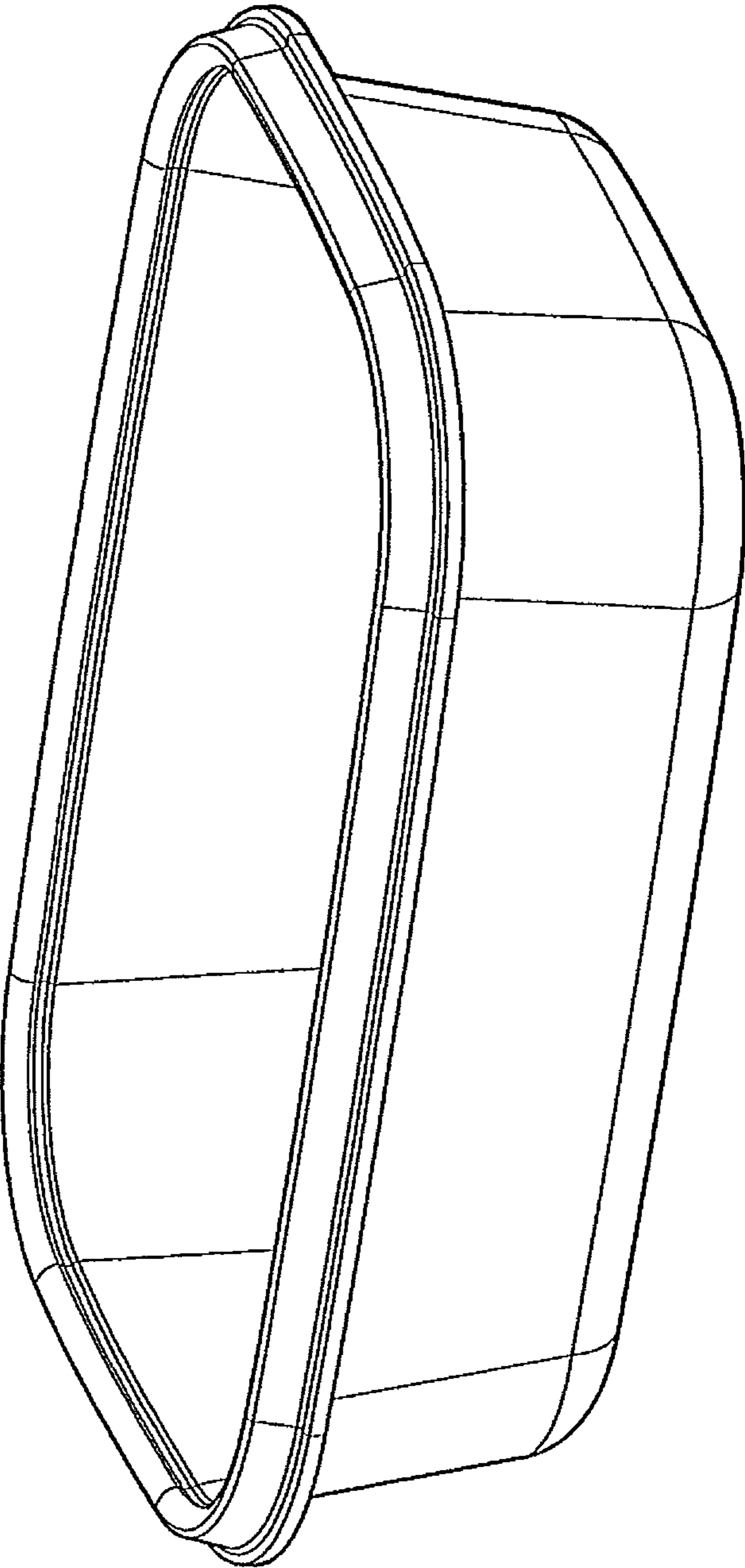


FIG. 2

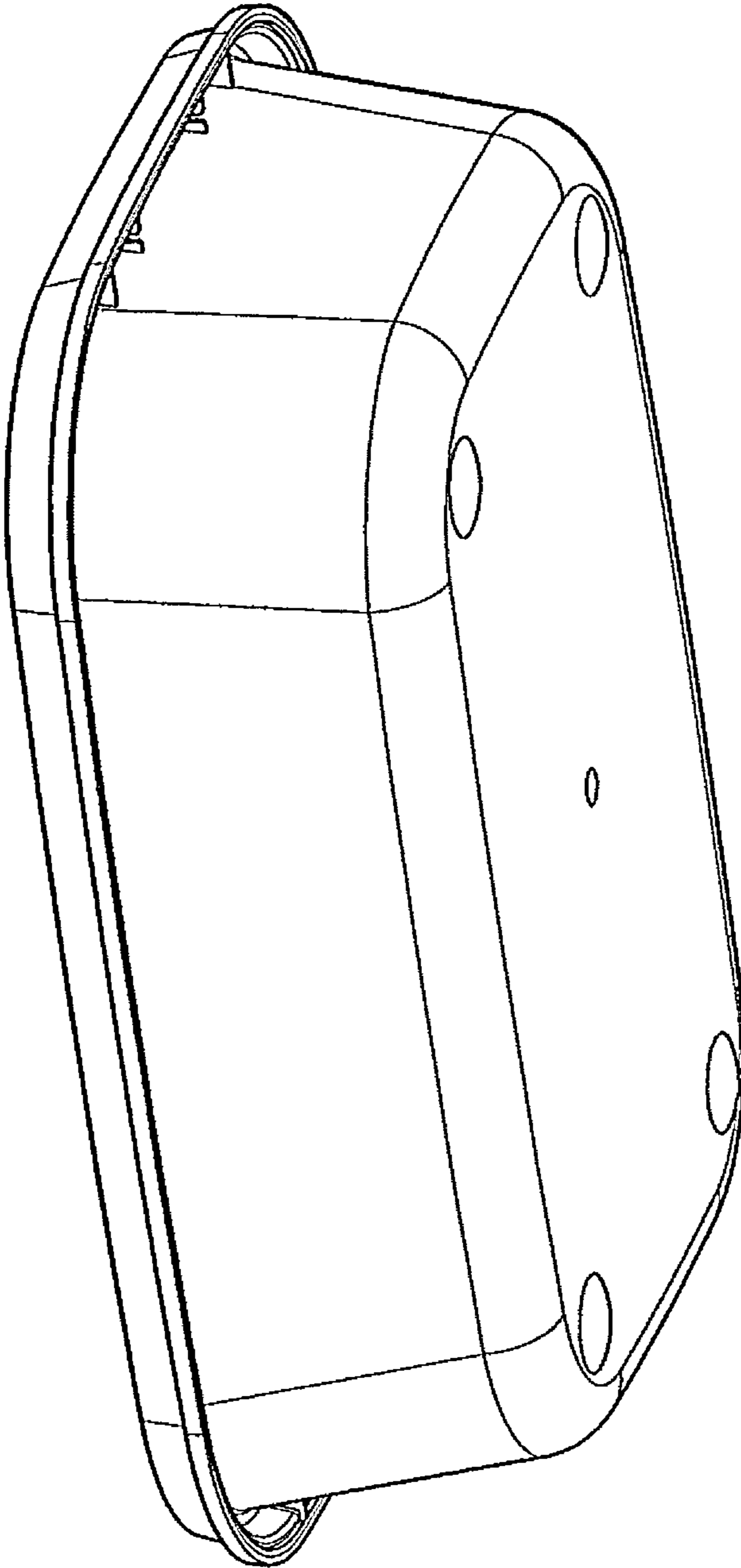


FIG. 3

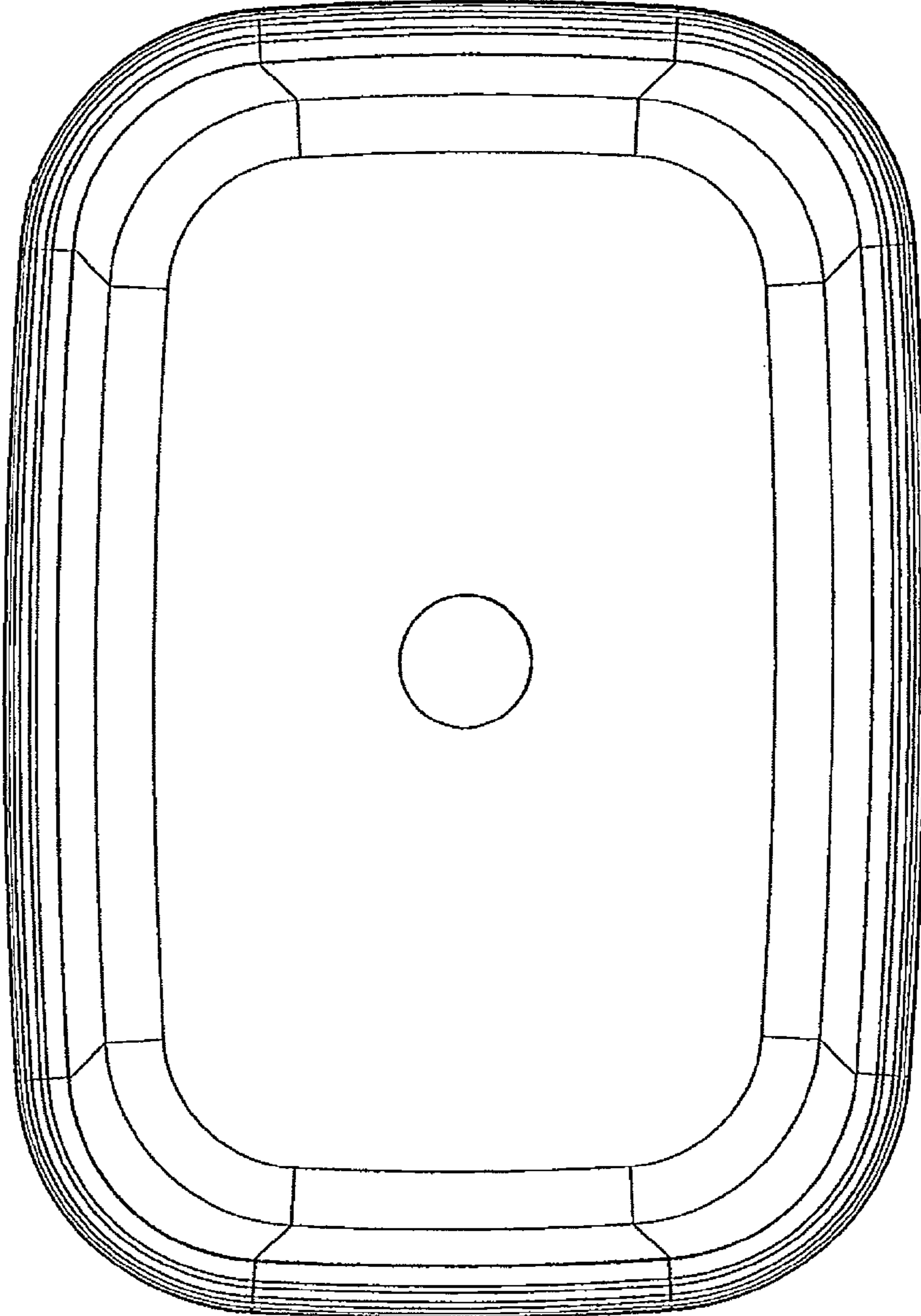


FIG. 4

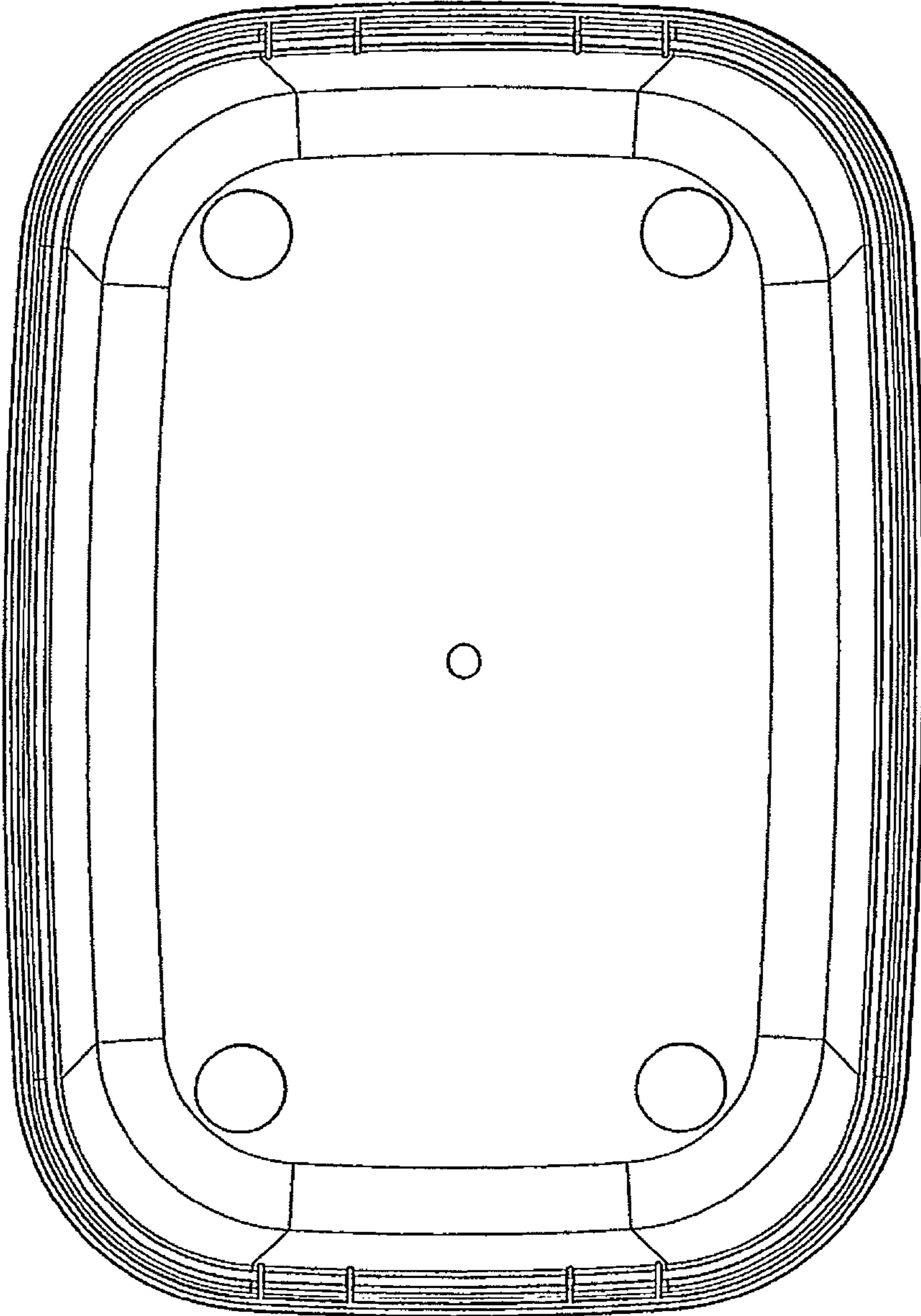


FIG. 5

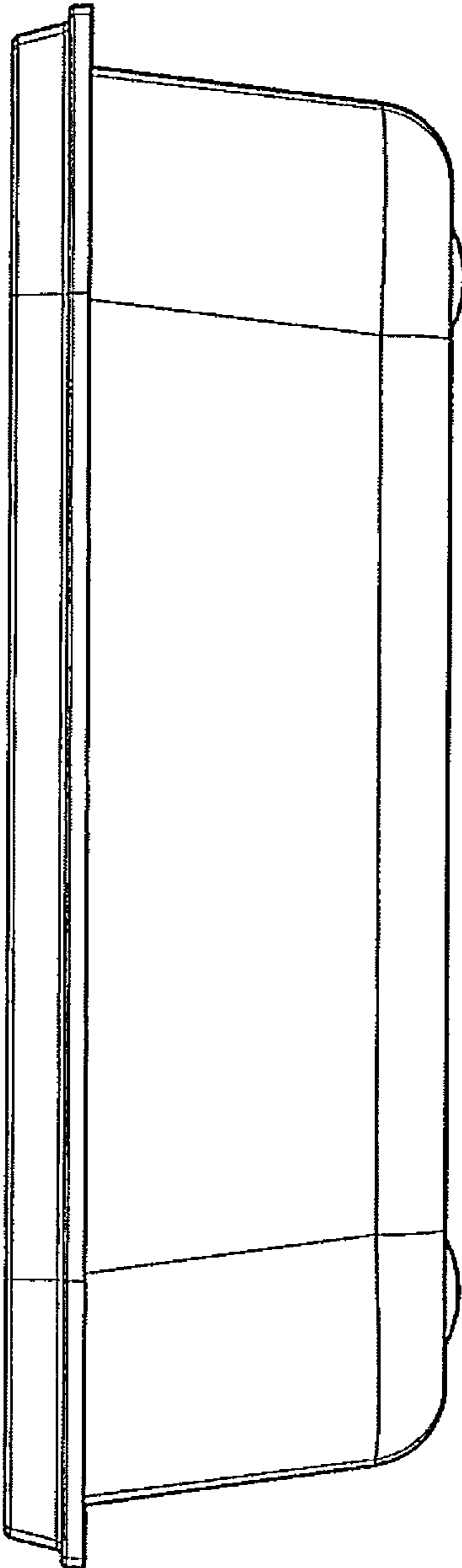


FIG. 6

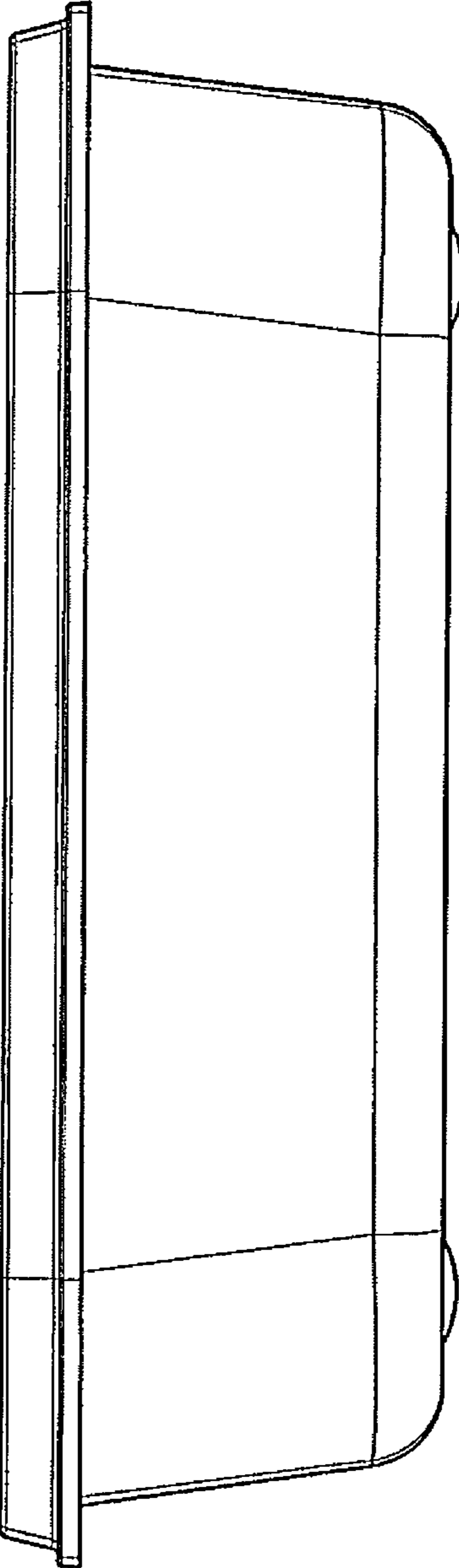


FIG. 7

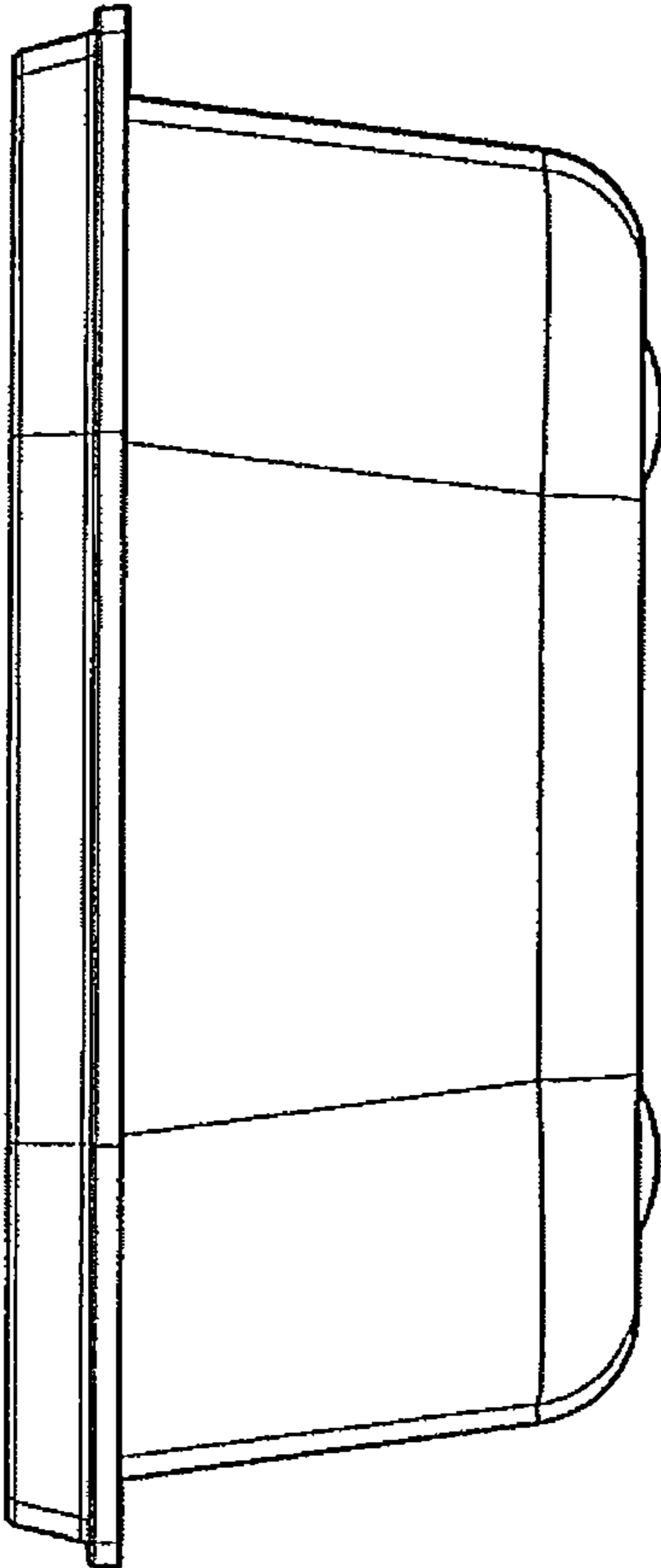


FIG. 8

