



US00D716609S

(12) **United States Design Patent**  
**Greer**

(10) **Patent No.:** **US D716,609 S**  
(45) **Date of Patent:** **\*\* Nov. 4, 2014**

(54) **BARBECUE GRILL GRATE STAND**

(56) **References Cited**

(71) Applicant: **James K. Greer**, Kansas City, MO (US)

U.S. PATENT DOCUMENTS

(72) Inventor: **James K. Greer**, Kansas City, MO (US)

(\*\*) Term: **14 Years**

(21) Appl. No.: **29/479,347**

(22) Filed: **Jan. 15, 2014**

2,986,138 A	5/1961	Moore et al. ....	126/25 A
D191,186 S	8/1961	Maki .....	D7/336
3,040,651 A	6/1962	Nolte, Jr. ....	99/446
3,111,123 A	11/1963	Le Fort .....	126/506
3,800,777 A	4/1974	Gebien .....	126/25 R
3,937,138 A	2/1976	Tidwell .....	99/450
D247,661 S	4/1978	Willard et al. ....	D7/336
4,120,280 A	10/1978	Iverson et al. ....	126/30
4,206,741 A	6/1980	Prigge .....	126/25 A
4,432,334 A	2/1984	Holt .....	126/9 B
4,434,780 A	3/1984	Hepner .....	126/9 B
D281,944 S	12/1985	Chan .....	D7/332
4,688,543 A	8/1987	Kopke .....	126/25 A
4,782,813 A	11/1988	Kopke .....	126/25 A
4,969,449 A *	11/1990	Levin .....	126/332
5,069,196 A	12/1991	Schlosser et al. ....	126/25 R
D337,933 S	8/1993	Gryz .....	D7/332
D346,531 S	5/1994	Stephen et al. ....	D7/409
D364,777 S	12/1995	Schlosser et al. ....	D7/409
5,490,452 A *	2/1996	Schlosser et al. ....	99/422
5,787,873 A *	8/1998	Whitehouse .....	126/25 R

**Related U.S. Application Data**

(62) Division of application No. 29/451,985, filed on Apr. 10, 2013, now Pat. No. Des. 700,476.

(51) **LOC (10) Cl.** ..... **07-02**

(52) **U.S. Cl.**  
USPC ..... **D7/409**

(58) **Field of Classification Search**

CPC ..... A21B 2/00; A21B 3/00; A21B 3/13;  
A21B 3/15; A21B 5/00; A21B 5/02; A23N  
12/06; A23N 12/08; A23N 12/10; A47J  
37/00; A47J 37/04; A47J 37/041; A47J  
37/042; A47J 37/06; A47J 37/0688; A47J  
37/0694; A47J 37/07; A47J 37/0704; A47J  
37/0745; A47J 37/0786; A47J 37/10; A47J  
47/20; A47J 2037/00; A47J 2037/06; A47J  
2037/0611; A47J 2037/07; A47J 2037/0786;  
A47J 2037/0795; F23H 17/08; F24C 15/10;  
F24C 15/12; F24C 15/14; F24C 15/16;  
F24C 15/164; F24C 15/18

USPC ..... D7/323, 332, 335-337, 354-355,  
D7/359-364, 387-388, 402, 407-409;  
99/324, 402, 419, 421 H, 421 V,  
99/422-426, 448, 450; 126/1 R, 25 AA,  
126/25 R, 30, 41 R, 152 B, 214 C, 332, 337 R,  
126/339; 211/1.52; 220/571, 573.1-573.3;  
312/410; 426/509, 523

See application file for complete search history.

(Continued)

*Primary Examiner* — Ricky Pham

(74) *Attorney, Agent, or Firm* — Erickson Kernell  
Derusseau & Kleypas, LLC

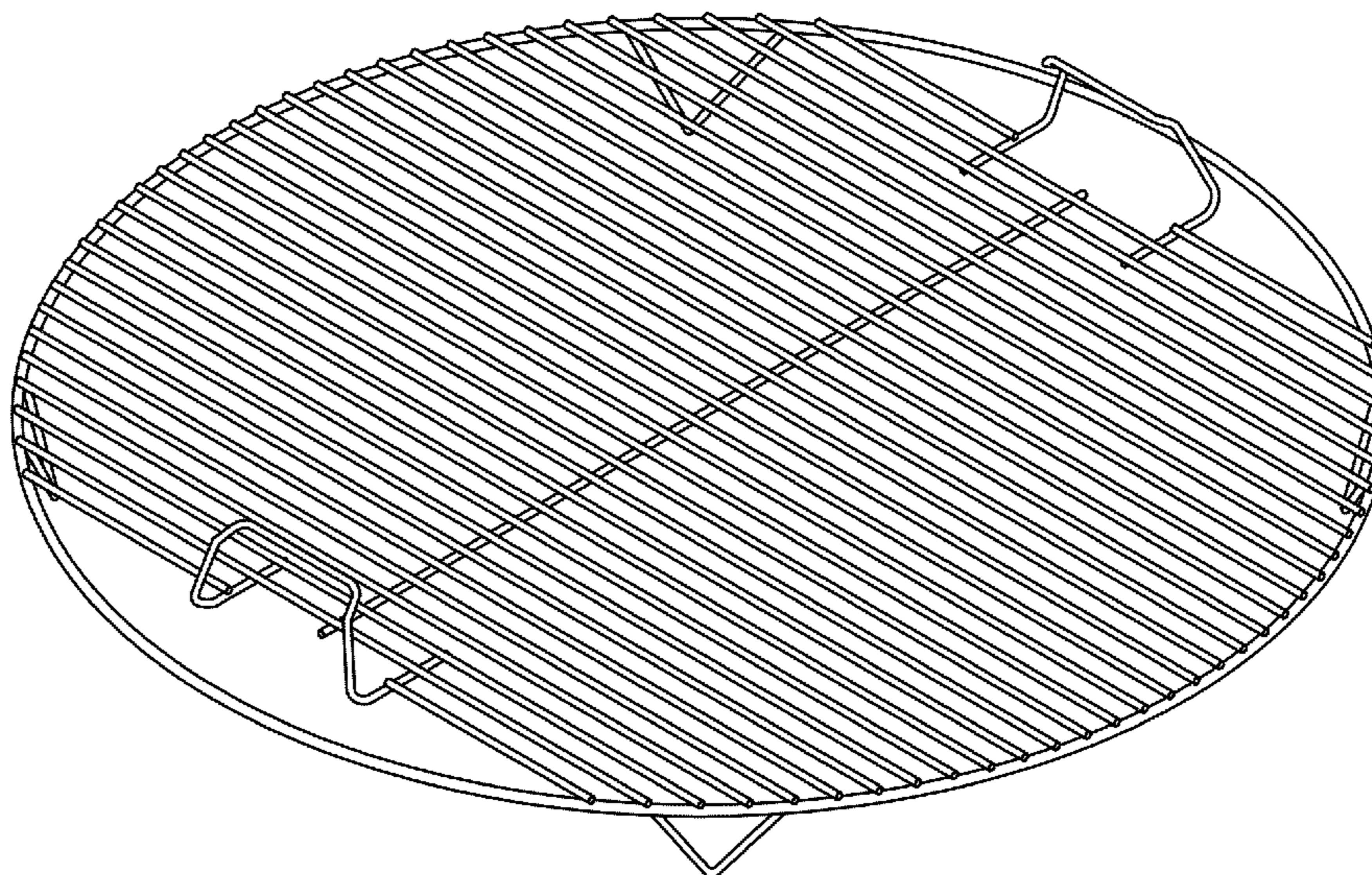
(57) **CLAIM**

The ornamental design for a barbecue grill grate stand, as shown and described.

**DESCRIPTION**

FIG. 1 is a perspective view of an ornamental design for a barbecue grill grate stand;  
FIG. 2 is a top view thereof;  
FIG. 3 is a front elevational view thereof;  
FIG. 4 is a bottom view thereof; and,  
FIG. 5 is a left side elevational view thereof.

**1 Claim, 3 Drawing Sheets**



(56)

**References Cited**

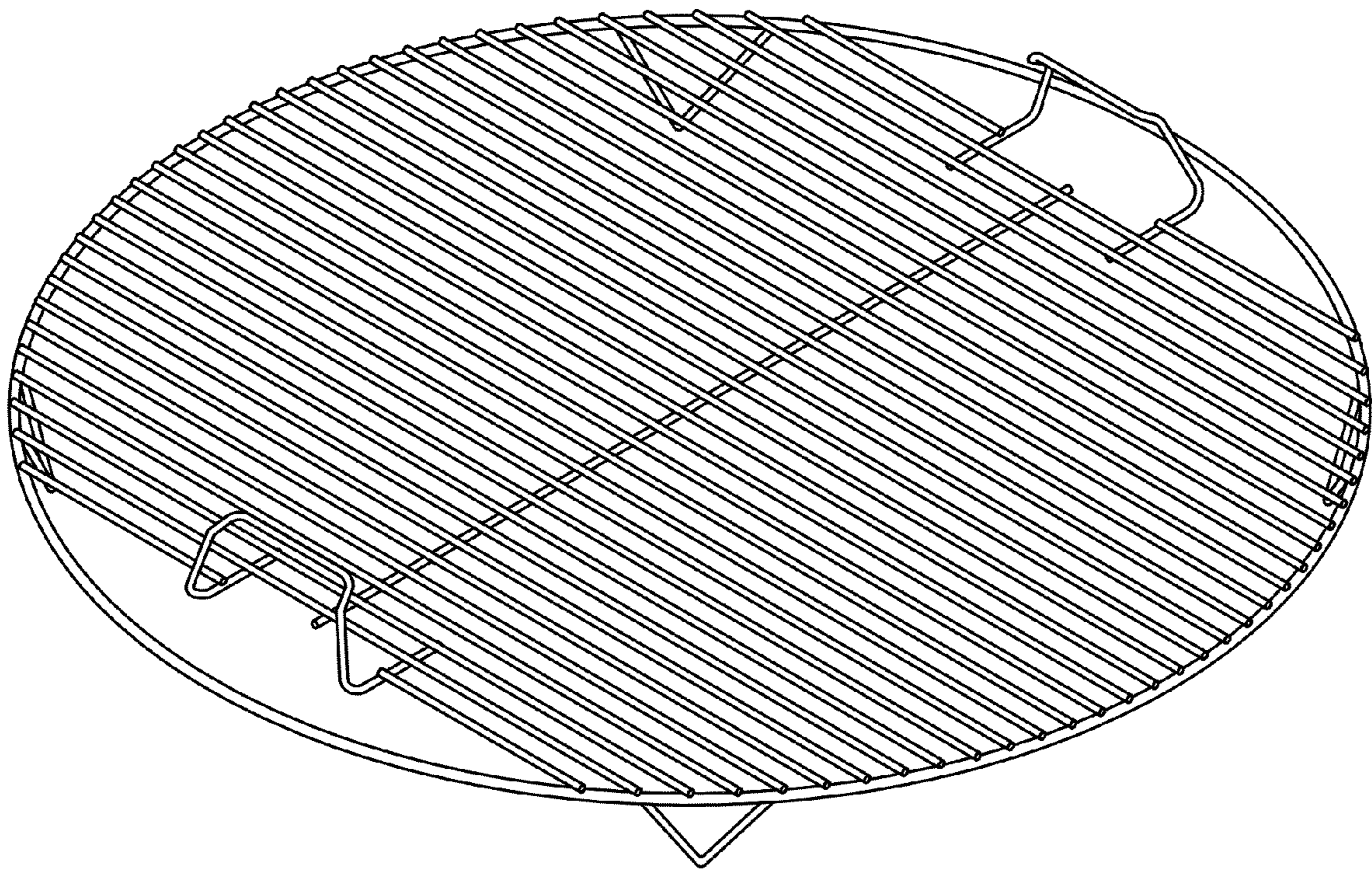
U.S. PATENT DOCUMENTS

5,819,718 A 10/1998 Leiser ..... 126/30  
D402,503 S 12/1998 Sanchez ..... D7/409  
5,850,829 A \* 12/1998 Taylor et al. .... 126/30  
5,964,212 A \* 10/1999 Thompson ..... 126/25 R  
D457,029 S \* 5/2002 Wickizer ..... D7/332  
6,711,993 B2 3/2004 Robertson ..... 99/448  
6,718,966 B1 \* 4/2004 Barbour ..... 126/25 R  
D560,094 S \* 1/2008 Miller ..... D7/388

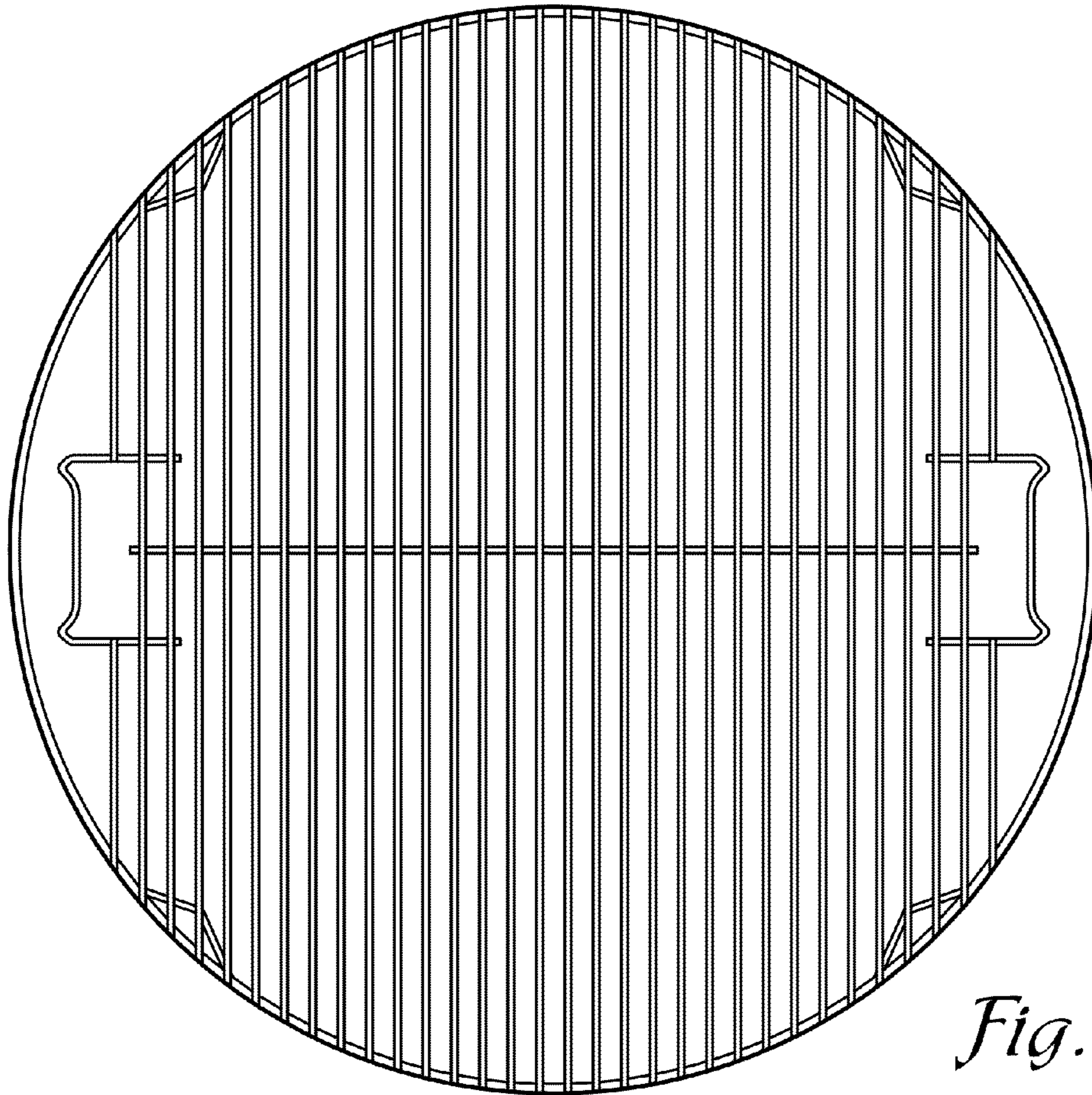
D577,256 S 9/2008 Schutte ..... D7/409  
D599,167 S \* 9/2009 Tiemann ..... D7/409  
D621,218 S 8/2010 Schutte ..... D7/409  
D623,014 S 9/2010 Alden et al. .... D7/409  
D650,227 S 12/2011 Walker ..... D7/409  
8,267,257 B2 \* 9/2012 Doyal ..... 211/1.52  
8,430,088 B1 4/2013 Gallaher ..... 126/25 AA  
8,511,295 B2 \* 8/2013 Buerkle ..... 126/152 B  
D700,476 S \* 3/2014 Greer ..... D7/409  
2008/0217266 A1 \* 9/2008 Doyal ..... 211/1.52

\* cited by examiner

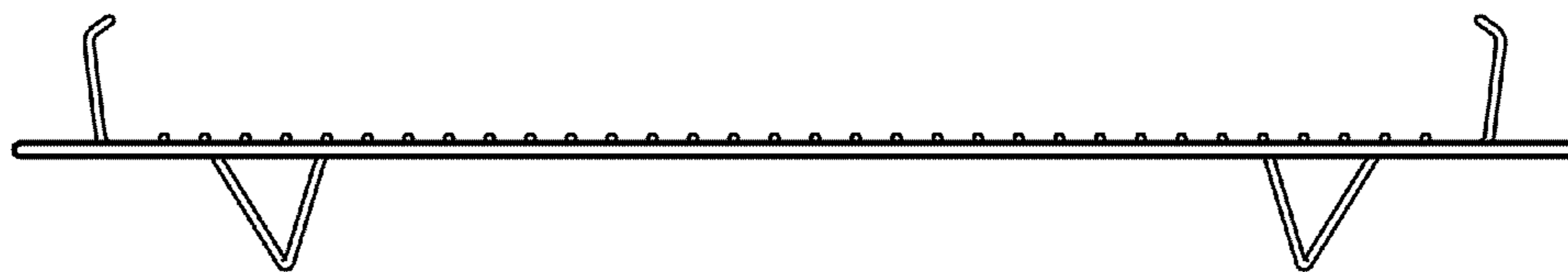




*Fig. 1*

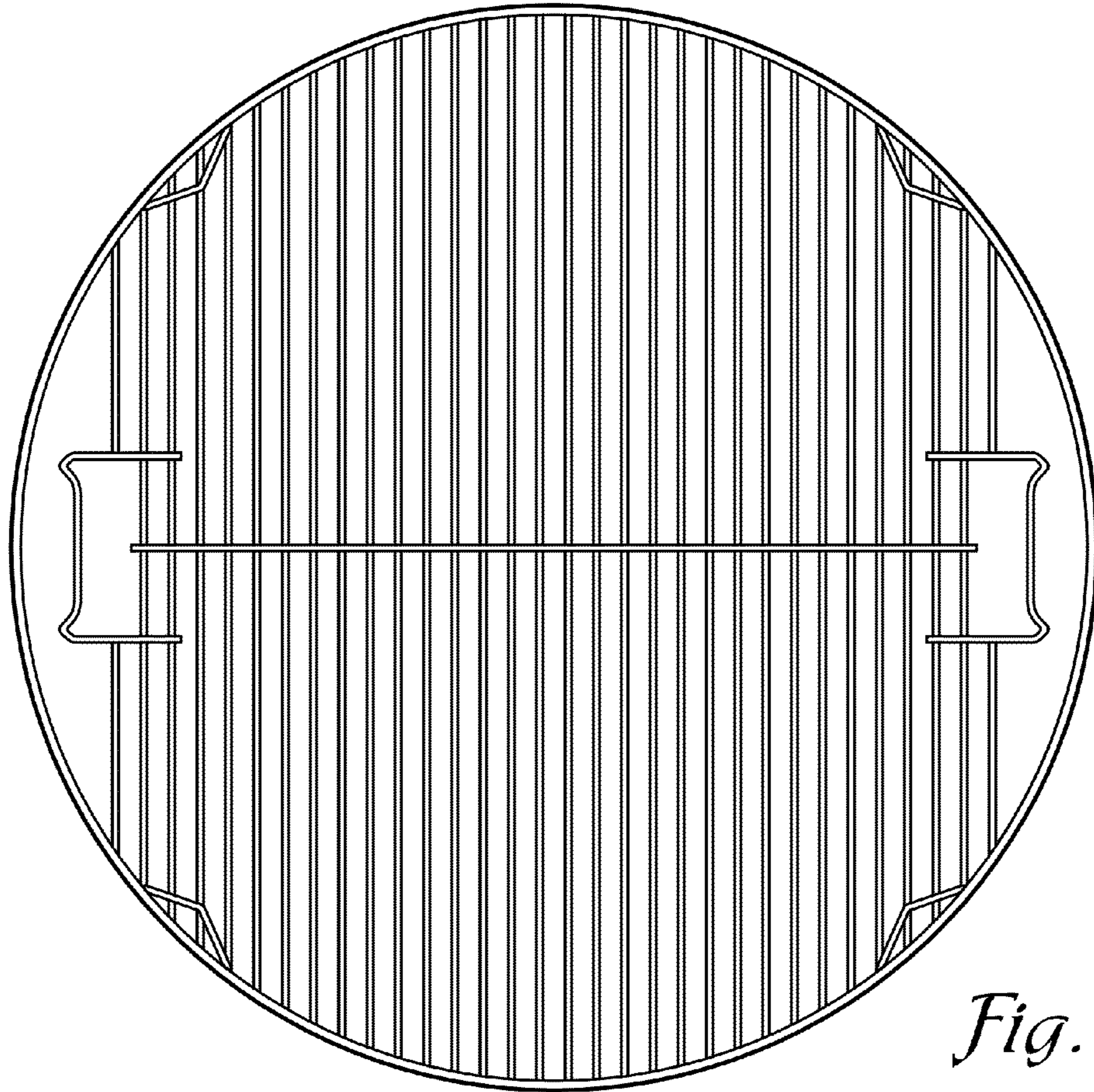


*Fig. 2*

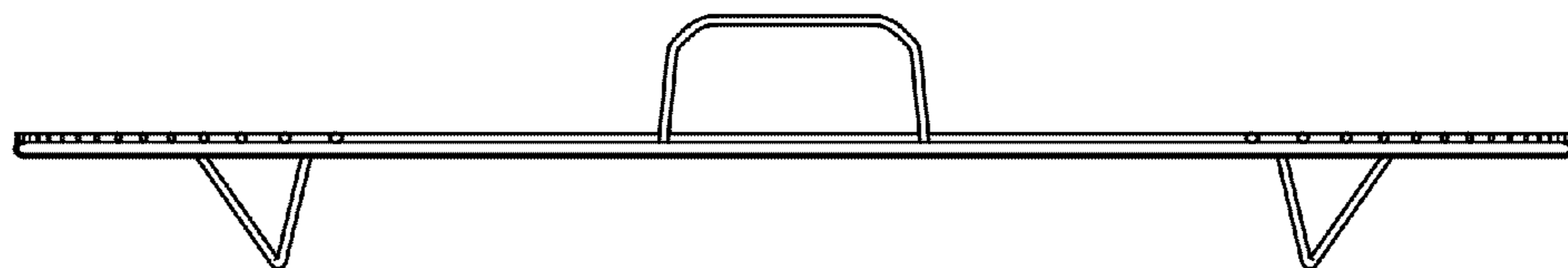


*Fig. 3*





*Fig. 4*



*Fig. 5*