



US00D716608S

(12) **United States Design Patent**
Tosin

(10) **Patent No.:** **US D716,608 S**
(45) **Date of Patent:** **** Nov. 4, 2014**

(54) **REMOVABLE HINGED LID FOR COOKERS AND SINKS**

(71) Applicant: **Smev S.R.L.**, Bassano del Grappa (IT)

(72) Inventor: **Giuseppe Tosin**, Nove (IT)

(73) Assignee: **Smev S.r.l.**, Bassano del Grappa (VI)
(IT)

(**) Term: **14 Years**

(21) Appl. No.: **29/434,058**

(22) Filed: **Oct. 9, 2012**

(30) **Foreign Application Priority Data**

Apr. 10, 2012 (EM) 002 022 491

(51) **LOC (10) Cl.** **07-02**

(52) **U.S. Cl.**
USPC **D7/405**

(58) **Field of Classification Search**

USPC D7/332, 334-335, 340, 346, 348,
D7/350.1-350.4, 351, 354, 402-408;
219/756-758, 393, 395, 401; 126/19 M,
126/275 E, 25 R, 304 A; 99/348, 353, 367,
99/468; D32/3, 28, 32; D23/290; 4/642,
4/654, 656; 134/58 D

See application file for complete search history.

(56) **References Cited**

U.S. PATENT DOCUMENTS

863,825 A * 8/1907 Acker 4/642
1,641,061 A * 8/1927 Young 4/656
1,995,331 A * 3/1935 Snyder et al. 134/58 D
2,579,393 A * 12/1951 Modrey 4/654
D259,137 S * 5/1981 Knox D23/290
D285,522 S * 9/1986 Basini D7/334
D295,818 S * 5/1988 Chan D7/332
D352,864 S * 11/1994 Parker D7/334
5,906,196 A * 5/1999 Measom 126/304 A
6,000,388 A * 12/1999 Andress 126/25 R
D449,491 S * 10/2001 Measom D7/334
D473,095 S * 4/2003 Nguyen D7/334

D483,531 S * 12/2003 Shelley D32/2
D483,532 S * 12/2003 Shelley D32/2
D520,803 S * 5/2006 Lu D7/335
D606,800 S * 12/2009 Bodum D7/354

OTHER PUBLICATIONS

U.S. Appl. No. 29/434,068 to Giuseppe Tosin—"Two-Sided Hinge Joint", filed Oct. 9, 2012.

U.S. Appl. No. 29/434,077 to Giuseppe Tosin—"One-Sided Hinge Joint", filed Oct. 9, 2012.

* cited by examiner

Primary Examiner — T. Chase Nelson

Assistant Examiner — Mark Cavanna

(74) *Attorney, Agent, or Firm* — Novak Druce Connolly Bove + Quigg LLP

(57) **CLAIM**

The ornamental design for a removable hinged lid for cookers and sinks, as shown and described.

DESCRIPTION

FIG. 1 is a top plan view of a removable hinged lid for cookers and sinks;

FIG. 2 is a top plan view of the removable hinged lid of FIG. 1 but in a position with the lid pivoted 90 degrees relative to the hinges;

FIG. 3 is a left-side view of the removable hinged lid of FIG. 1;

FIG. 4 is a right-side view of the removable hinged lid of FIG. 1;

FIG. 5 is a first perspective view of the removable hinged lid of FIG. 1, a cross-sectional view of the removable hinged lid of FIG. 4 if taken from section line Va-Va would be a mirror image of a cross-sectional view of the removable hinged lid of FIG. 5 if taken from section line Vb-Vb;

FIG. 6 is a second perspective view of the removable hinged lid of FIG. 1 when in the position shown in FIG. 2;

FIG. 7 is an exploded third perspective view of the removable hinged lid of FIG. 1, the hidden left side of the removable hinged lid of FIG. 7 is a mirror image of the right side of the removable hinged lid shown by FIG. 7, except the left hinge and the right hinge differ;

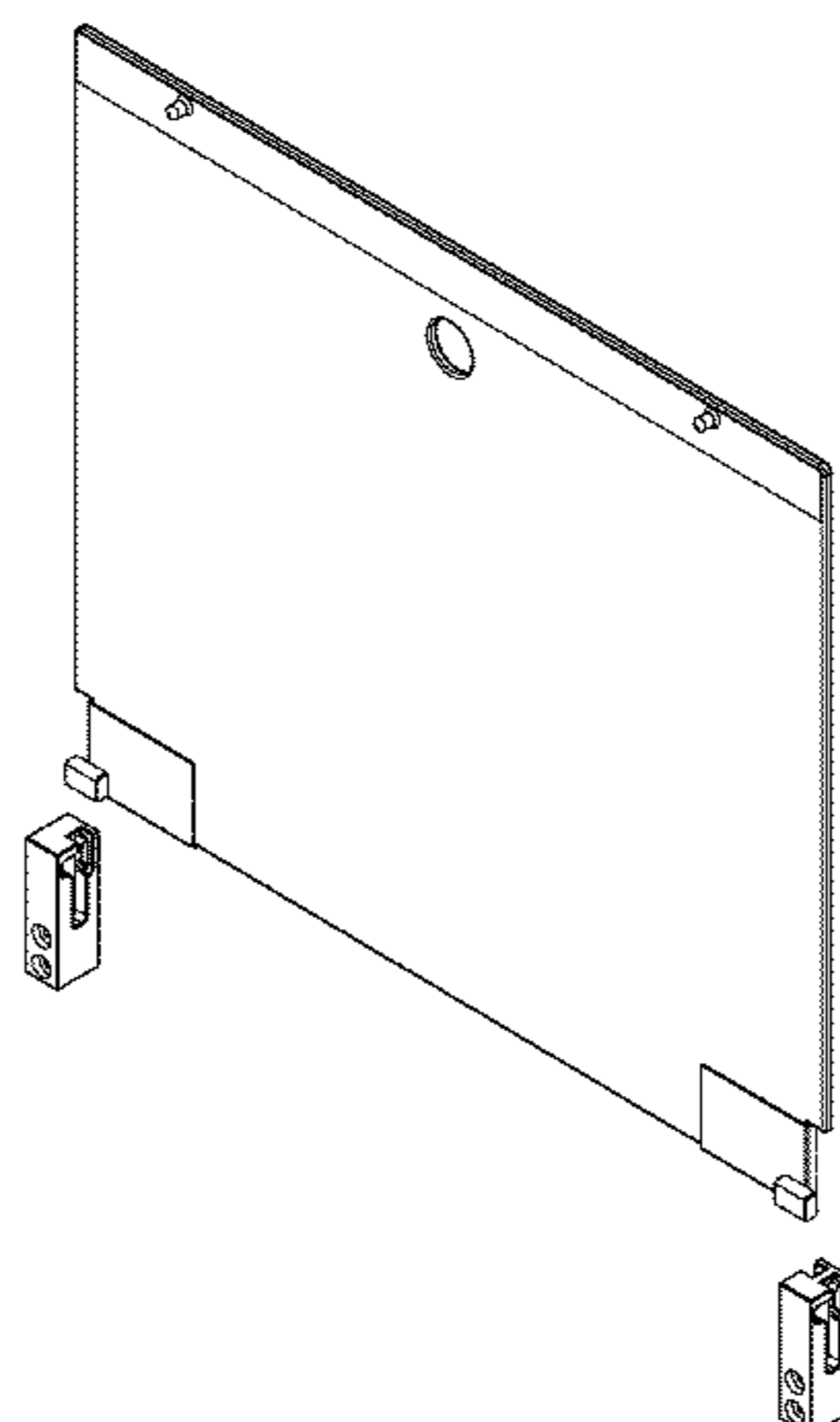


FIG. 8 is a bottom view of the removable hinged lid of FIG. 1; FIG. 9 is a rear view of the removable hinged lid of FIG. 1; and FIG. 10 is a front view of the removable hinged lid of FIG. 1. FIG. 11 is an enlarged right-side view of a hinge joint on the left side of the removable hinged lid of FIG. 1 shown separately for clarity of illustration; FIG. 12 is an enlarged front view of the hinge joint on the left side of the removable hinged lid of FIG. 1 shown separately for clarity of illustration; FIG. 13 is an enlarged top plan view of the hinge joint on the left side of the removable hinged lid of FIG. 1 shown separately for clarity of illustration; FIG. 14 is an enlarged perspective view of the hinge joint on the left side of the removable hinged lid of FIG. 1 shown separately for clarity of illustration; FIG. 15 is an enlarged left-side view of the hinge joint on the left side of the removable hinged lid of FIG. 1 shown separately for clarity of illustration; FIG. 16 is an enlarged rear view of the hinge joint on the left side of the removable hinged lid of FIG. 1 shown separately for clarity of illustration; FIG. 17 is an enlarged bottom view of the hinge joint on the left side of the removable hinged lid of FIG. 1 shown separately for clarity of illustration; FIG. 18 is an enlarged top plan view of a hinge joint on the right side of the removable hinged lid of FIG. 1 shown separately for clarity of illustration;

FIG. 19 is an enlarged rear view of the hinge joint on the right side of the removable hinged lid of FIG. 1 shown separately for clarity of illustration; FIG. 20 is an enlarged bottom view of the hinge joint on the right side of the removable hinged lid of FIG. 1 shown separately for clarity of illustration; FIG. 21 is an enlarged right-side view of the hinge joint on the right side of the removable hinged lid of FIG. 1 shown separately for clarity of illustration; FIG. 22 is an enlarged perspective view of the hinge joint on the right side of the removable hinged lid of FIG. 1 shown separately for clarity of illustration; FIG. 23 is an enlarged left-side view of the hinge joint on the right side of the removable hinged lid of FIG. 1 shown separately for clarity of illustration; and, FIG. 24 is an enlarged front view of the hinge joint on the right side of the removable hinged lid of FIG. 1 shown separately for clarity of illustration. The dashed lines are included for the purpose of illustrating unclaimed portions of the removable hinged lid for cookers and sinks, and form no part of the claimed design. The left side hinge joint of FIGS. 11-17 and the right side hinge joint of FIGS. 18-23 are parts of the claimed overall design for a removable hinged lid for cookers and sinks. Each of FIGS. 11-23 have the same scale as each other but they are all enlarged in scale relative to FIG. 1 and present these hinge joints separately to show their details.

1 Claim, 10 Drawing Sheets

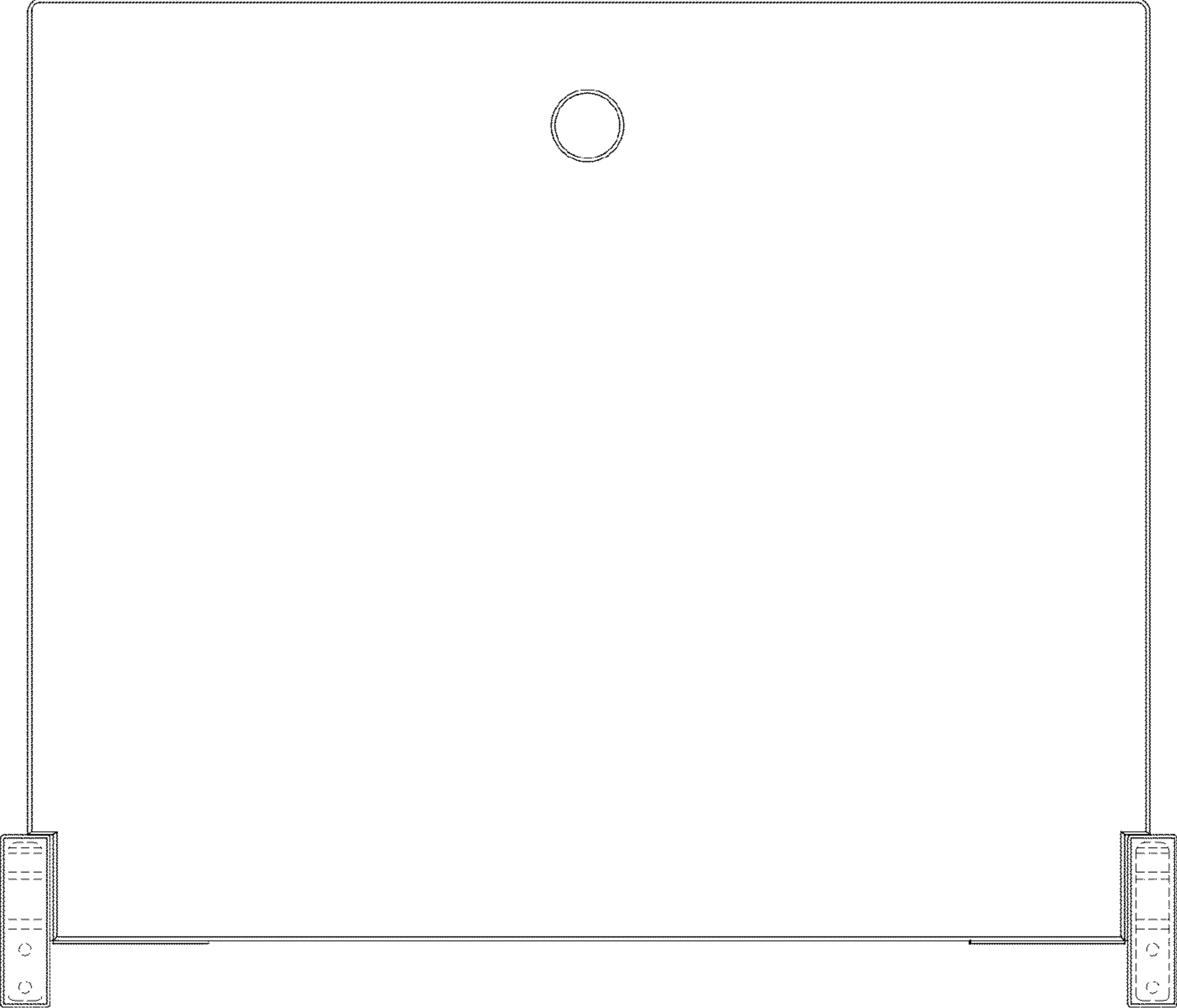


FIG. 1

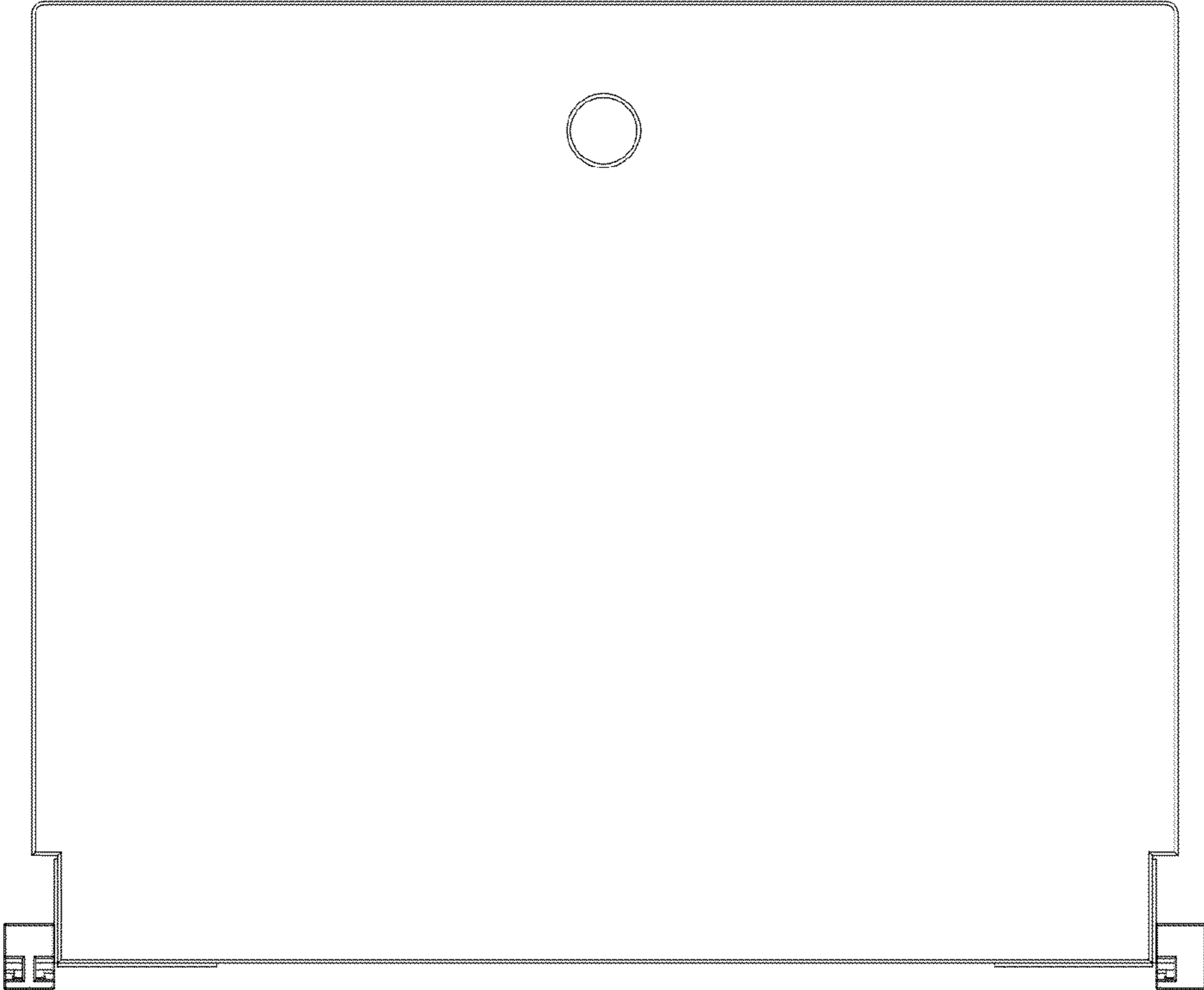


FIG. 2

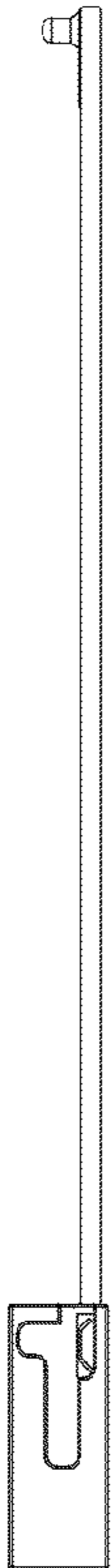


FIG. 3

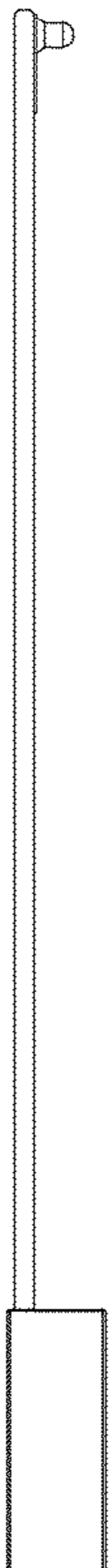


FIG. 4

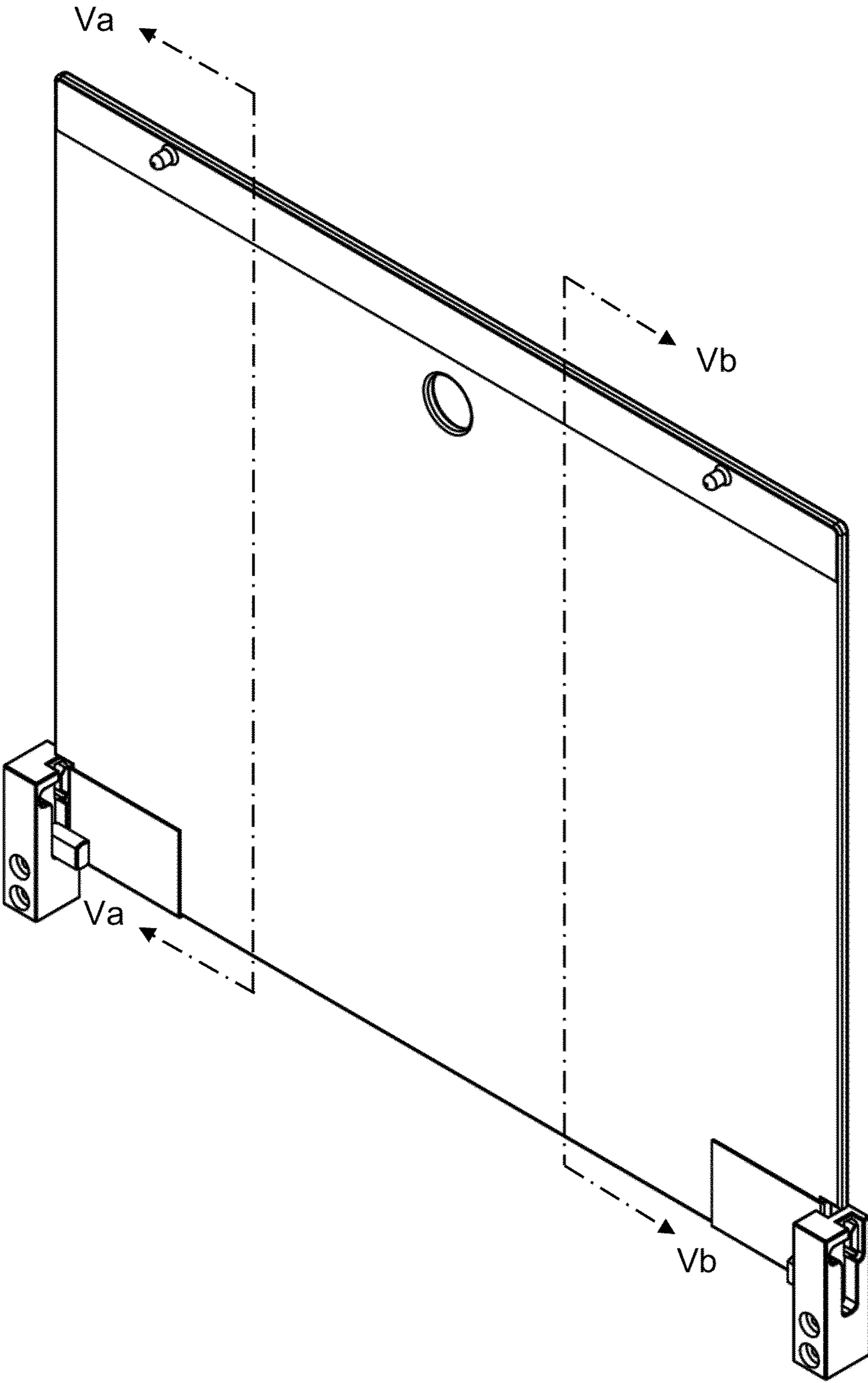


FIG. 5

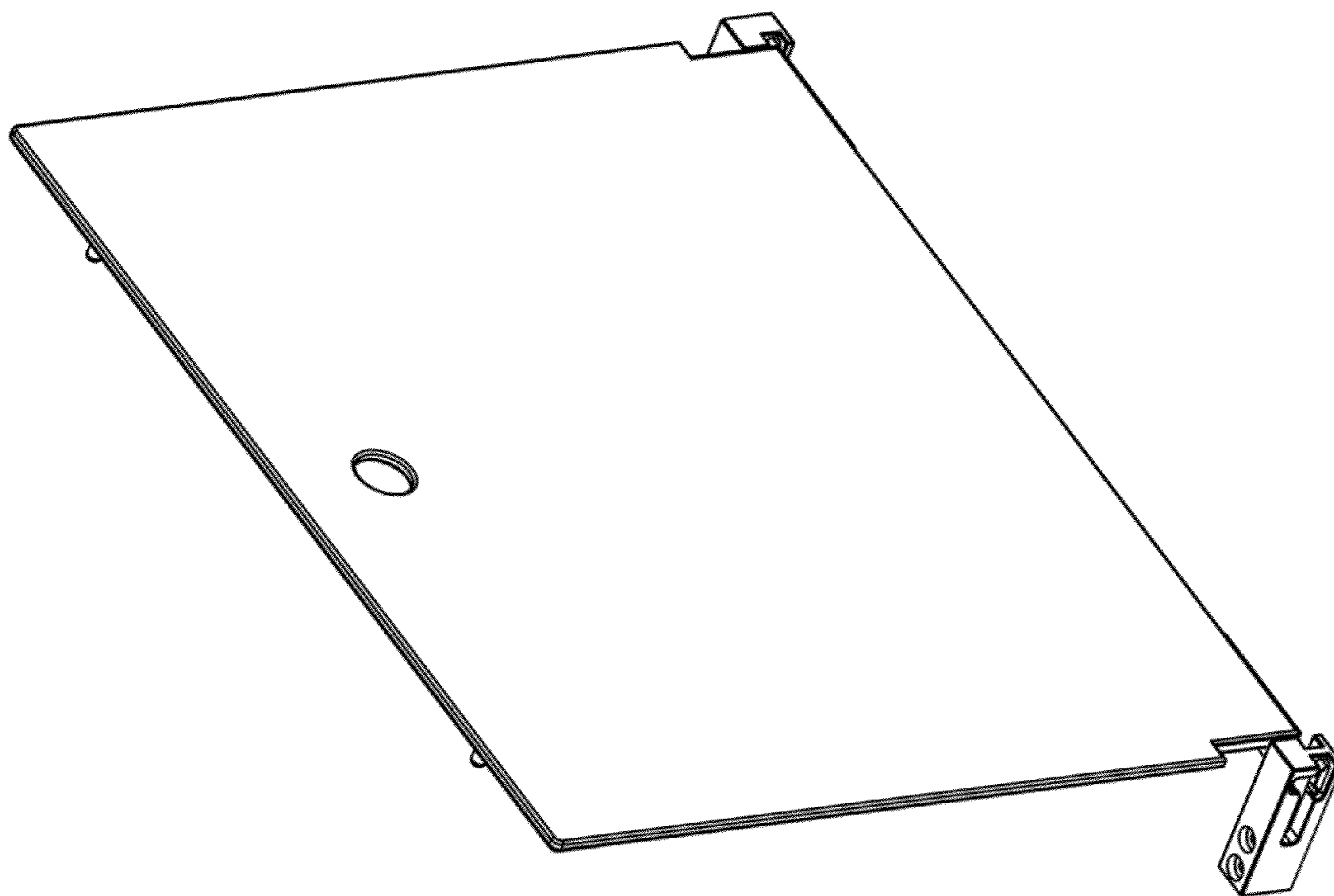
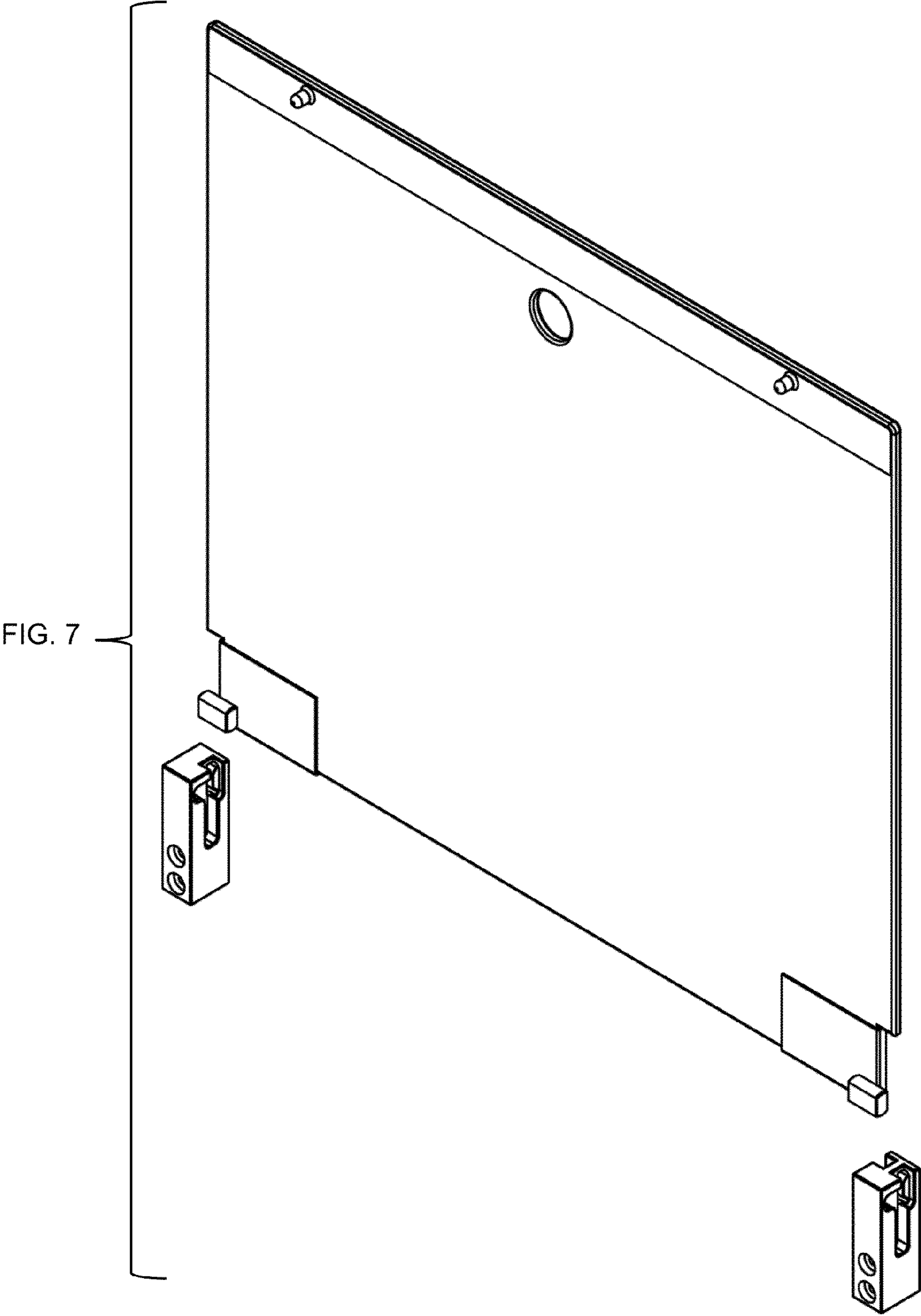


FIG. 6



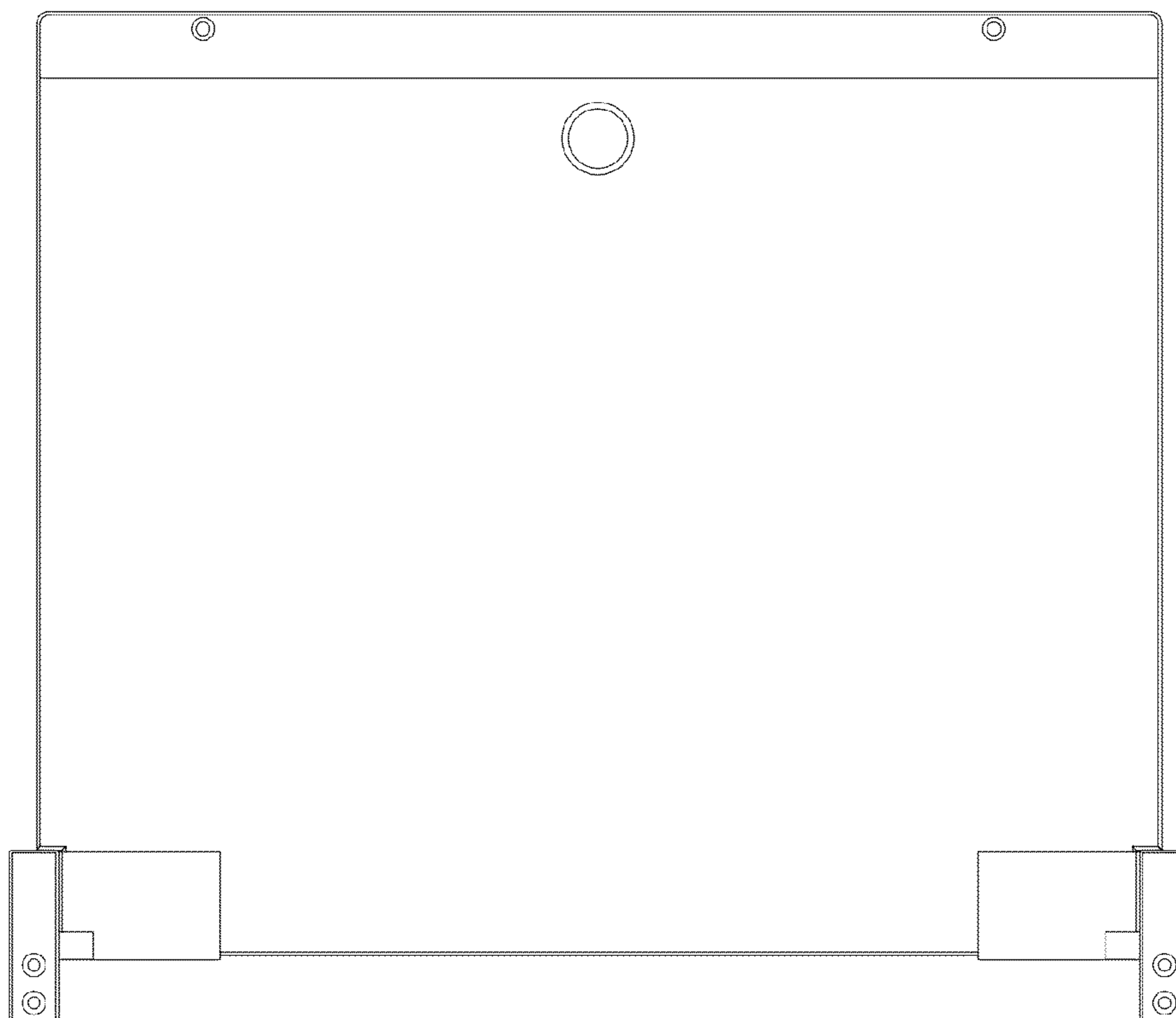


FIG. 8



FIG. 9



FIG. 10

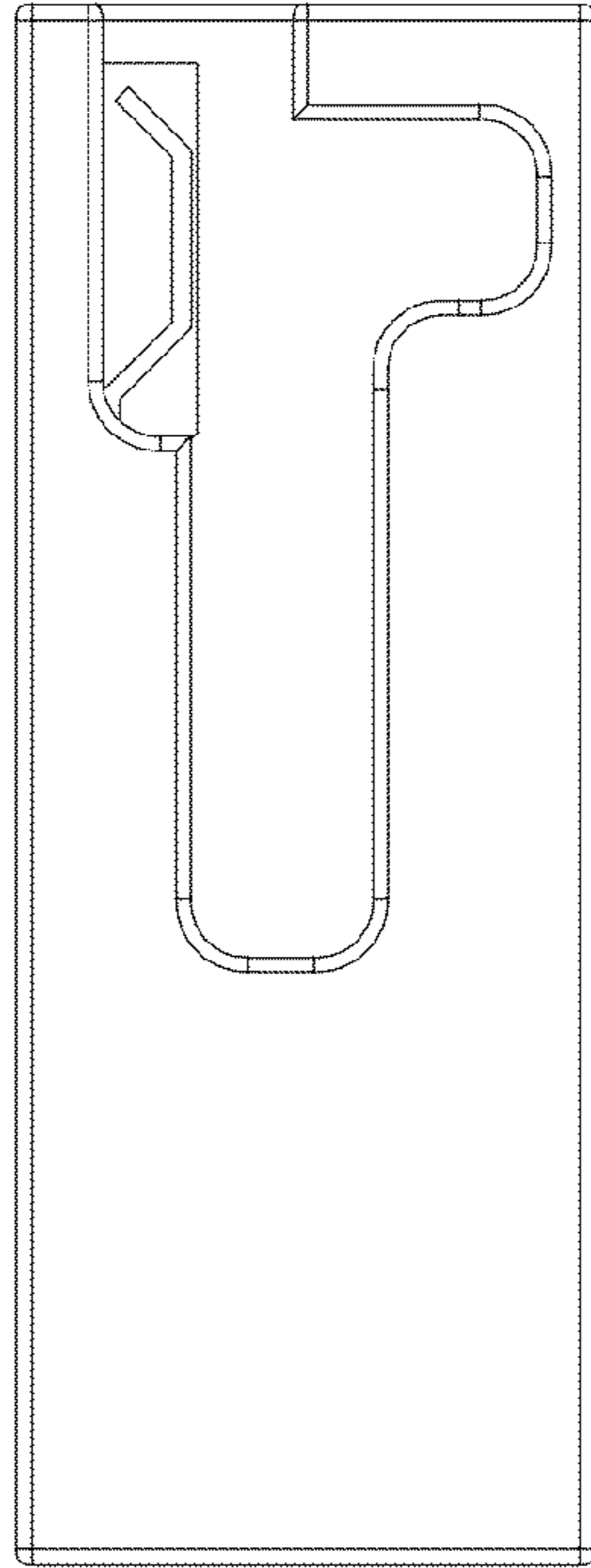


FIG. 11

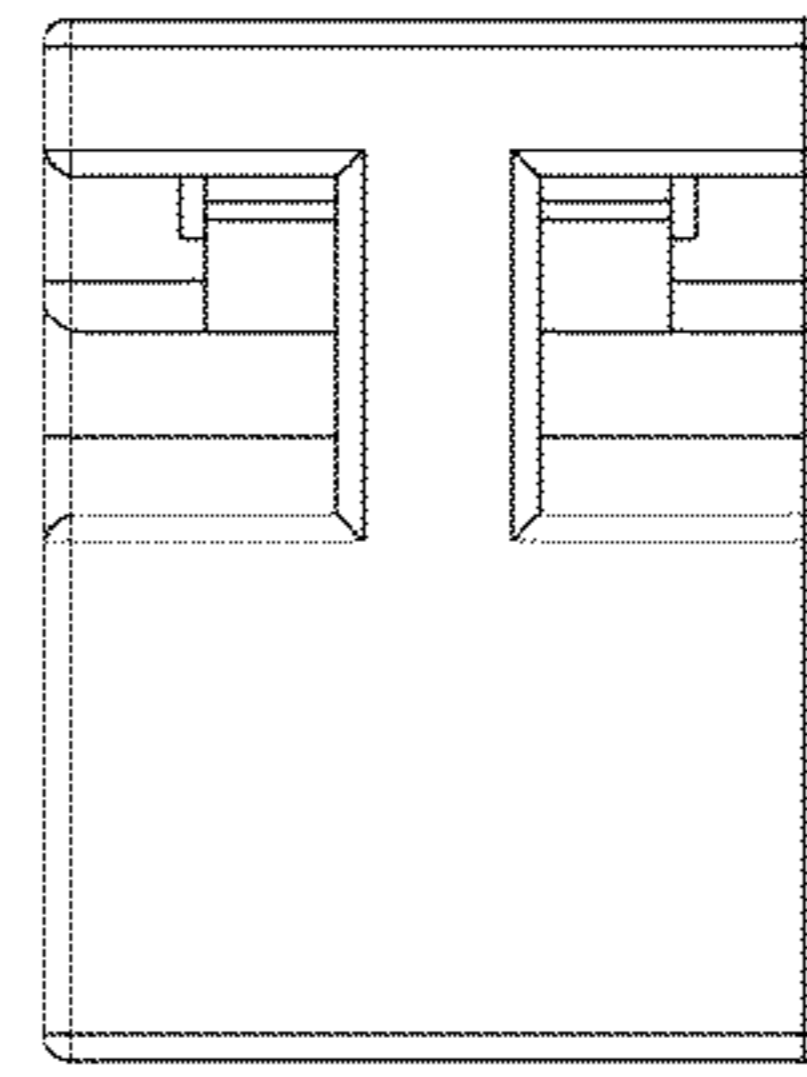


FIG. 12

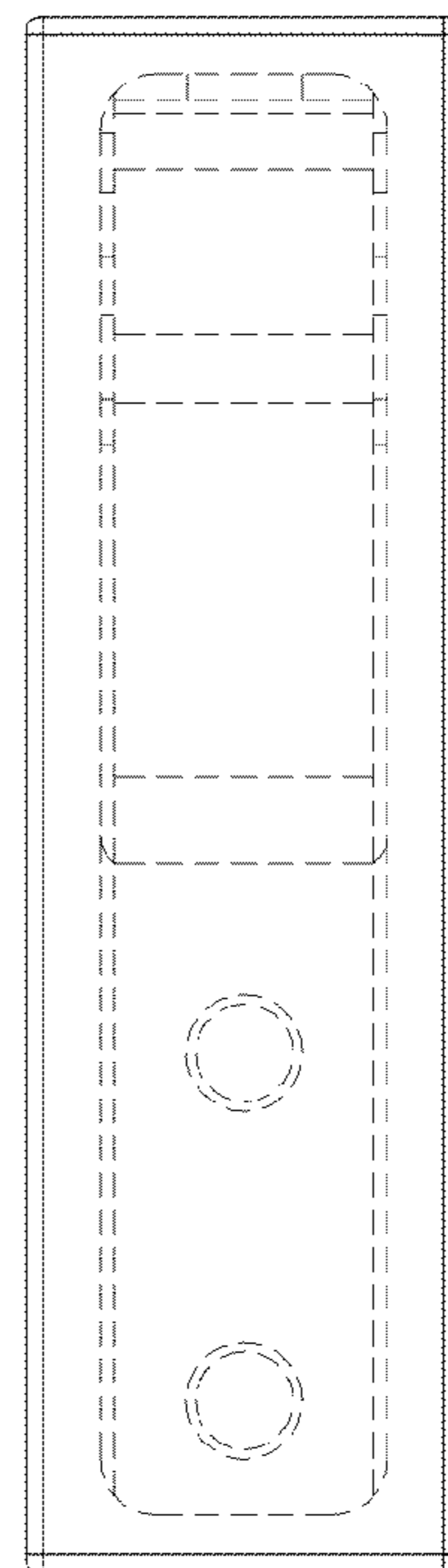


FIG. 13

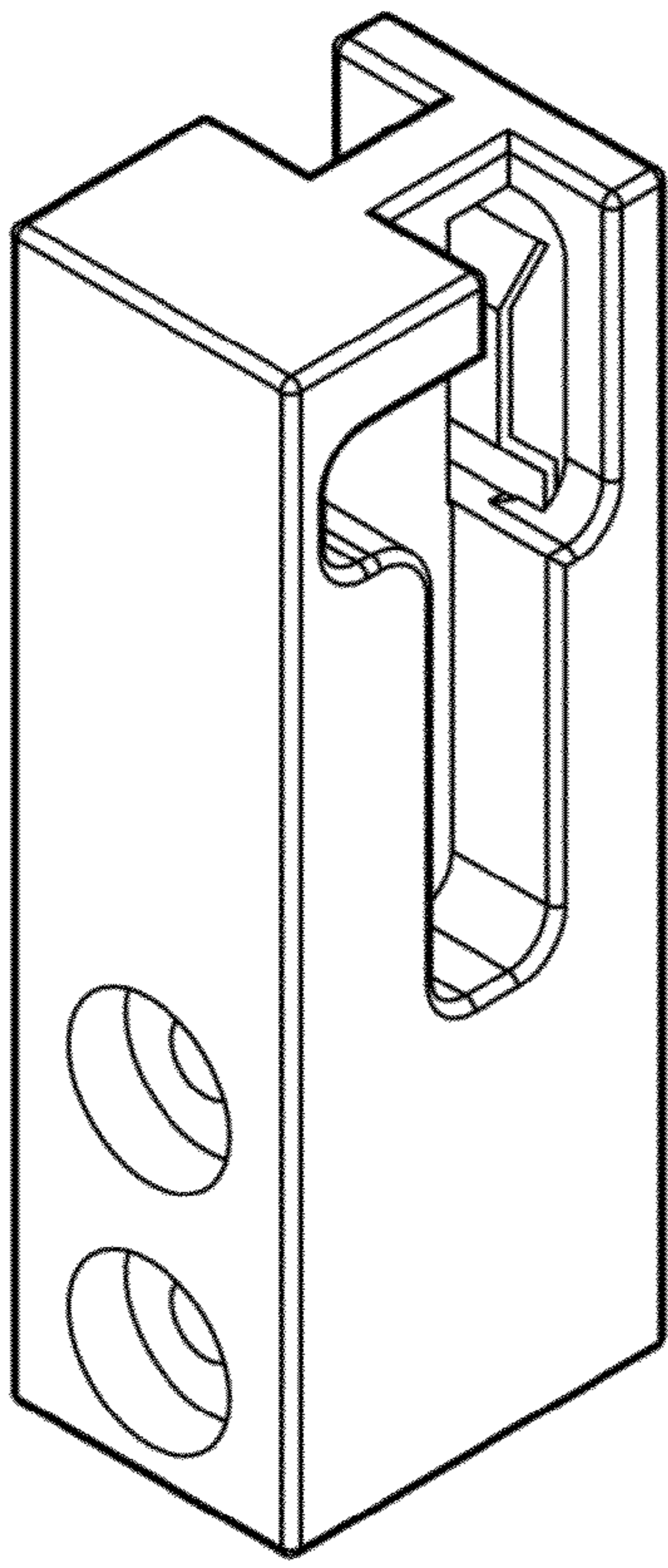


FIG. 14

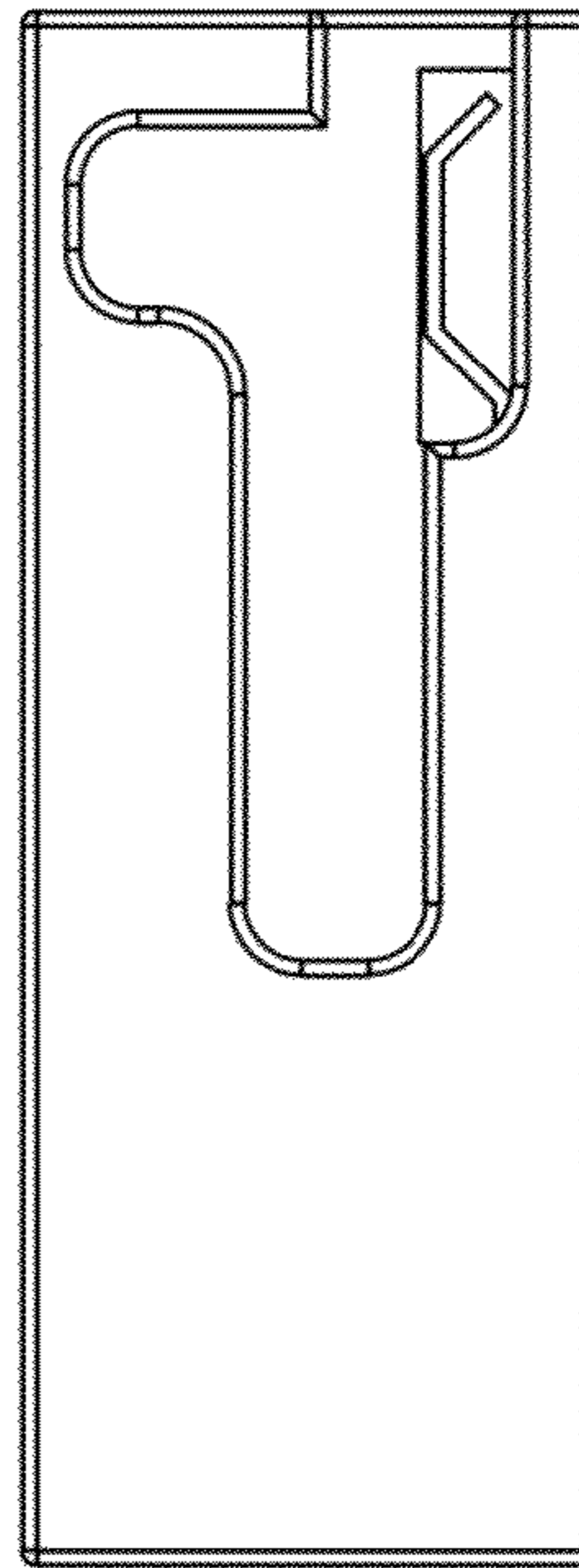


FIG. 15

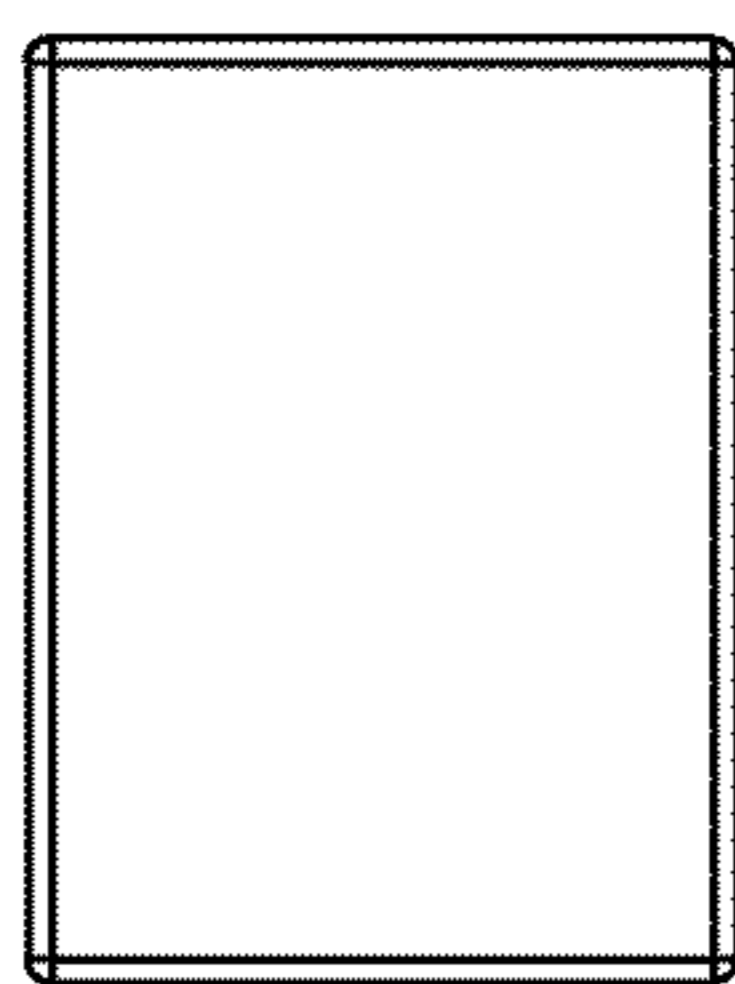


FIG. 16

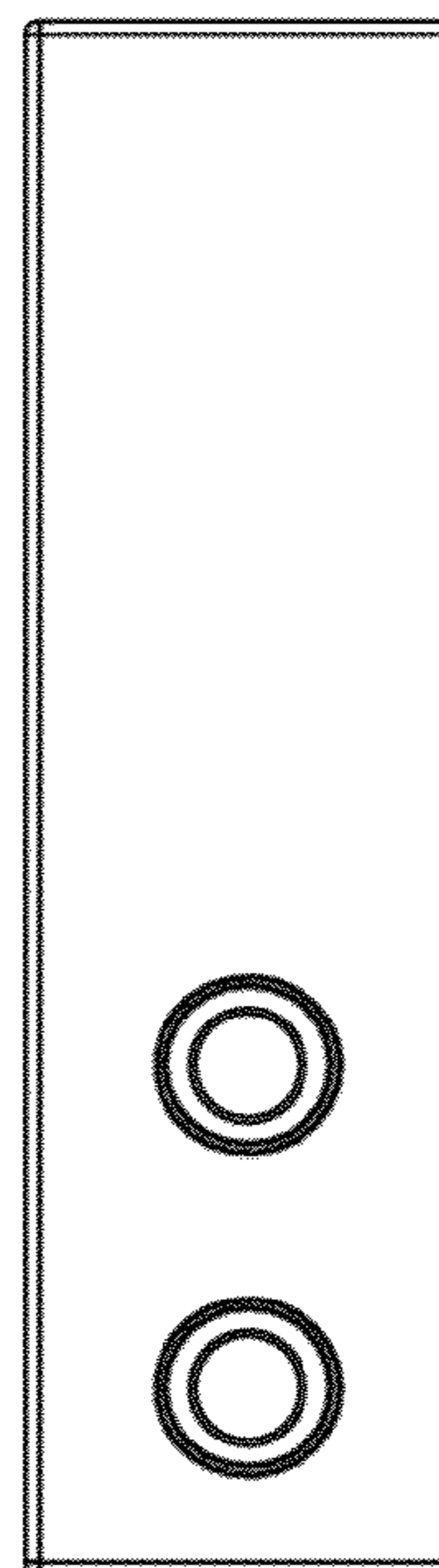


FIG. 17

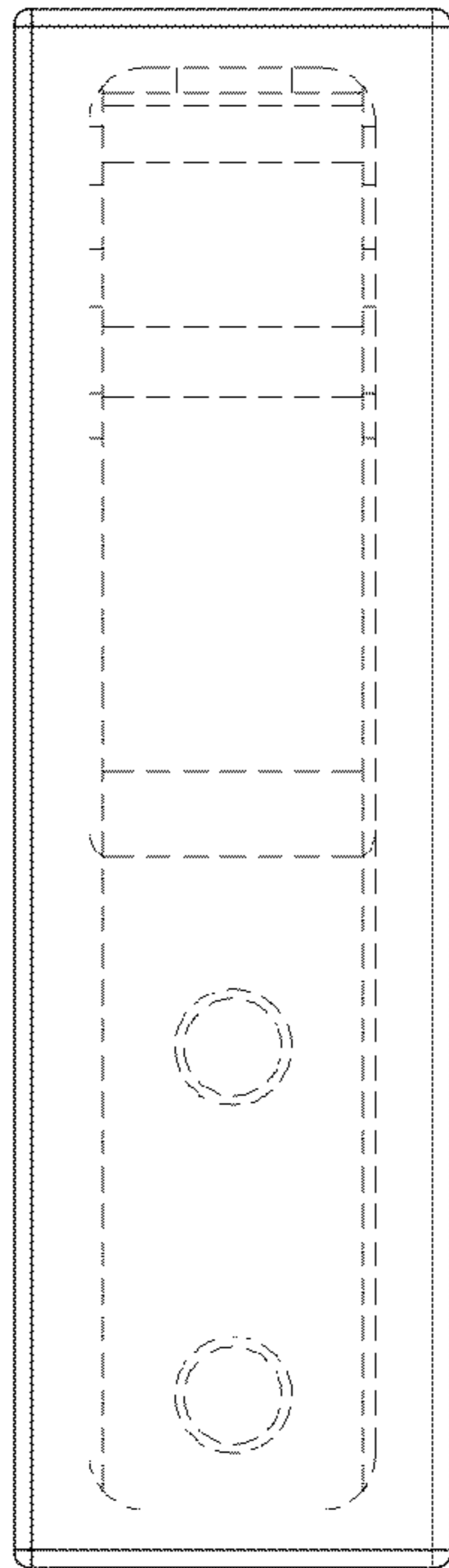


FIG. 18

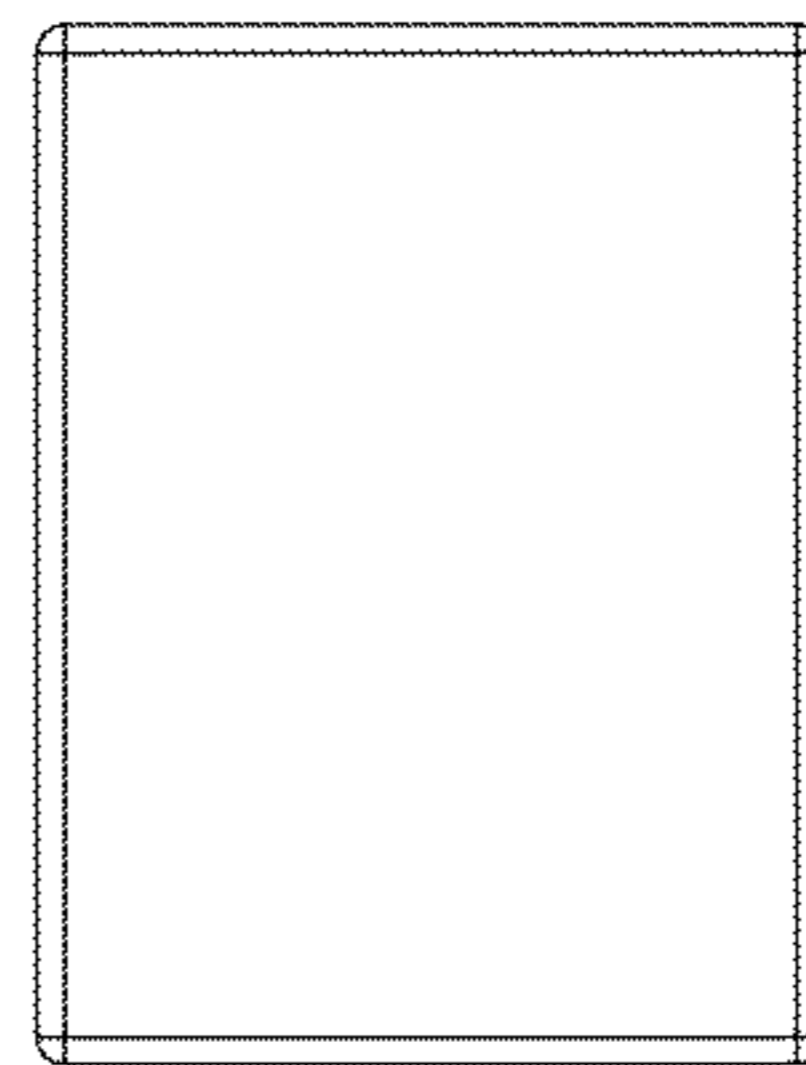


FIG. 19

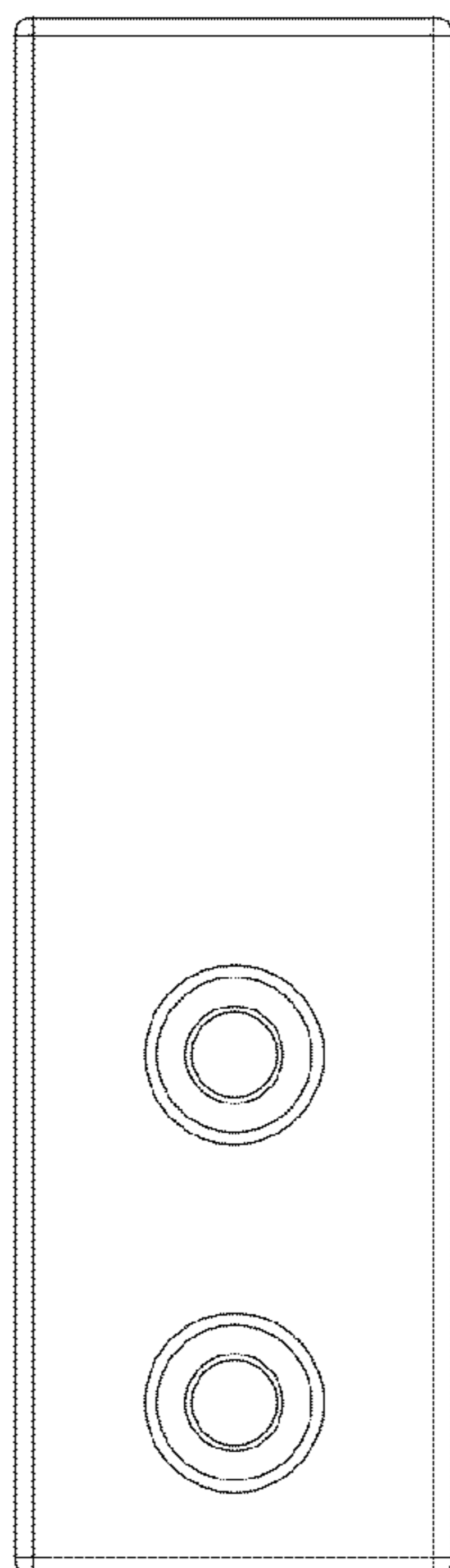


FIG. 20

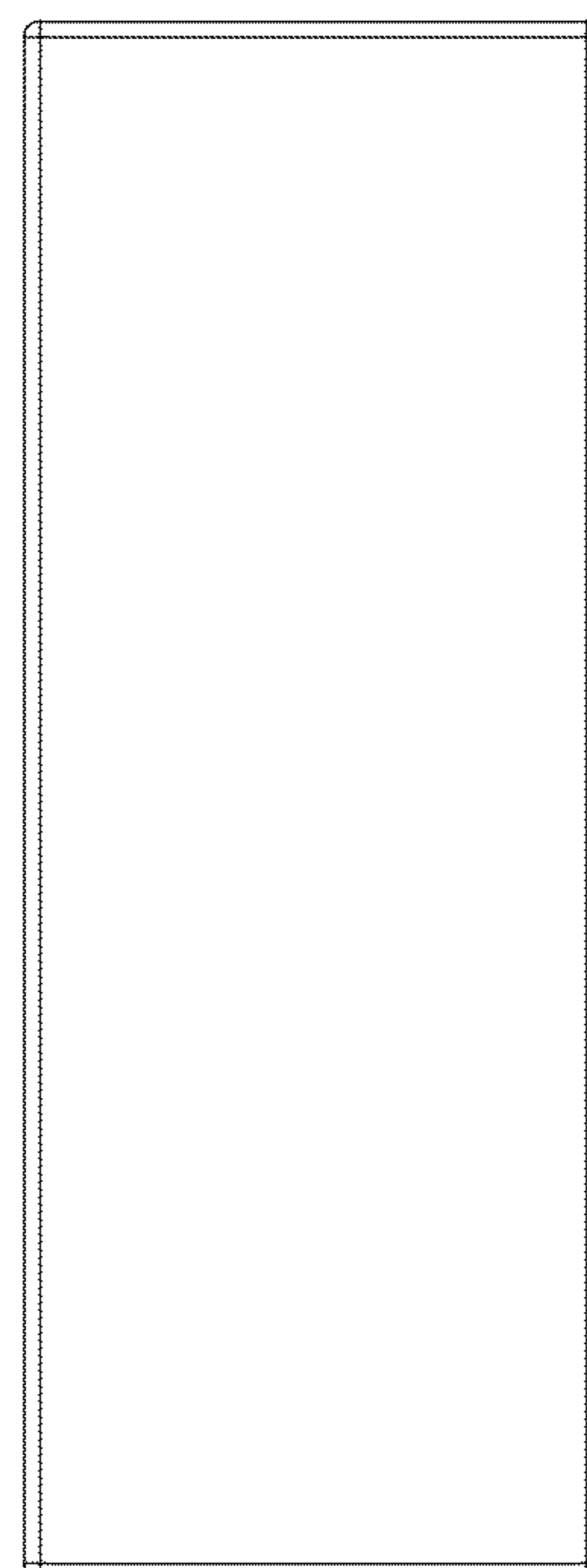


FIG. 21

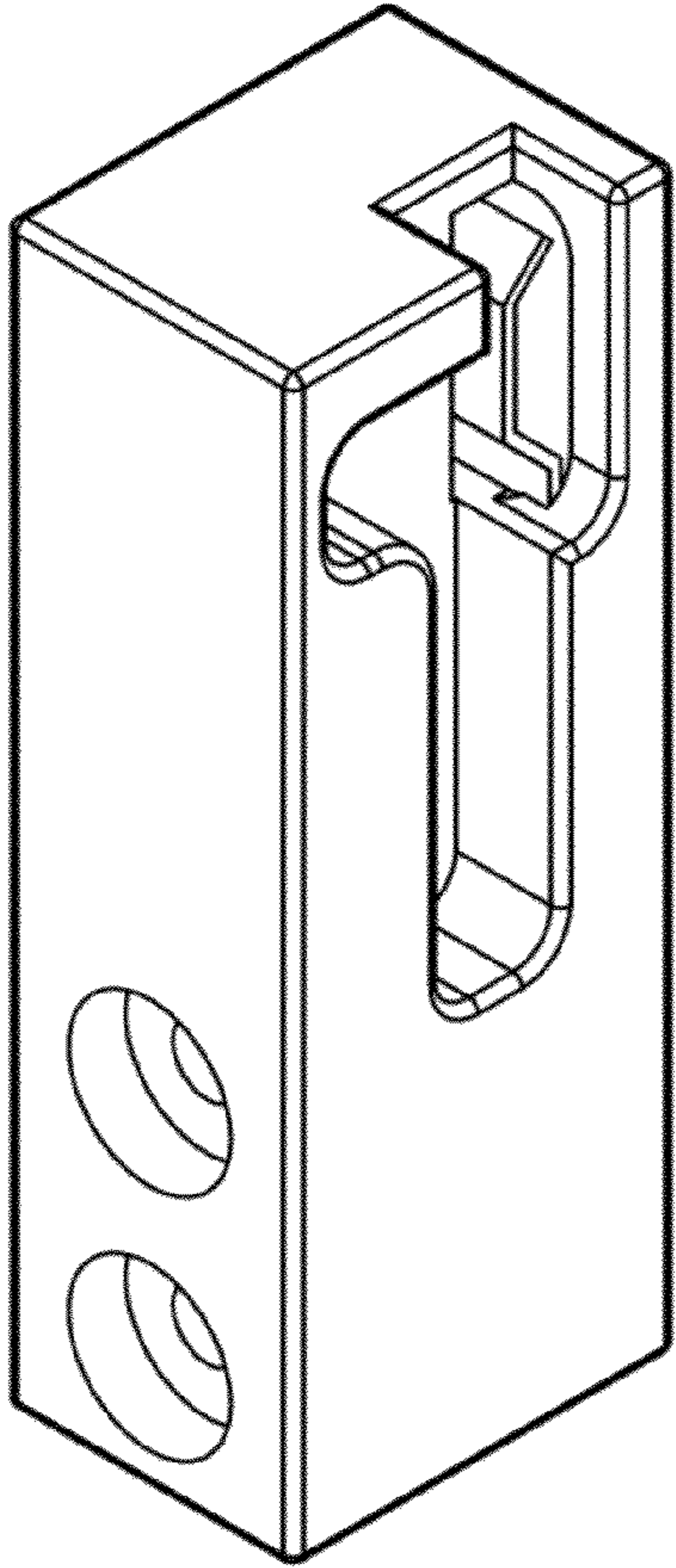


FIG. 22

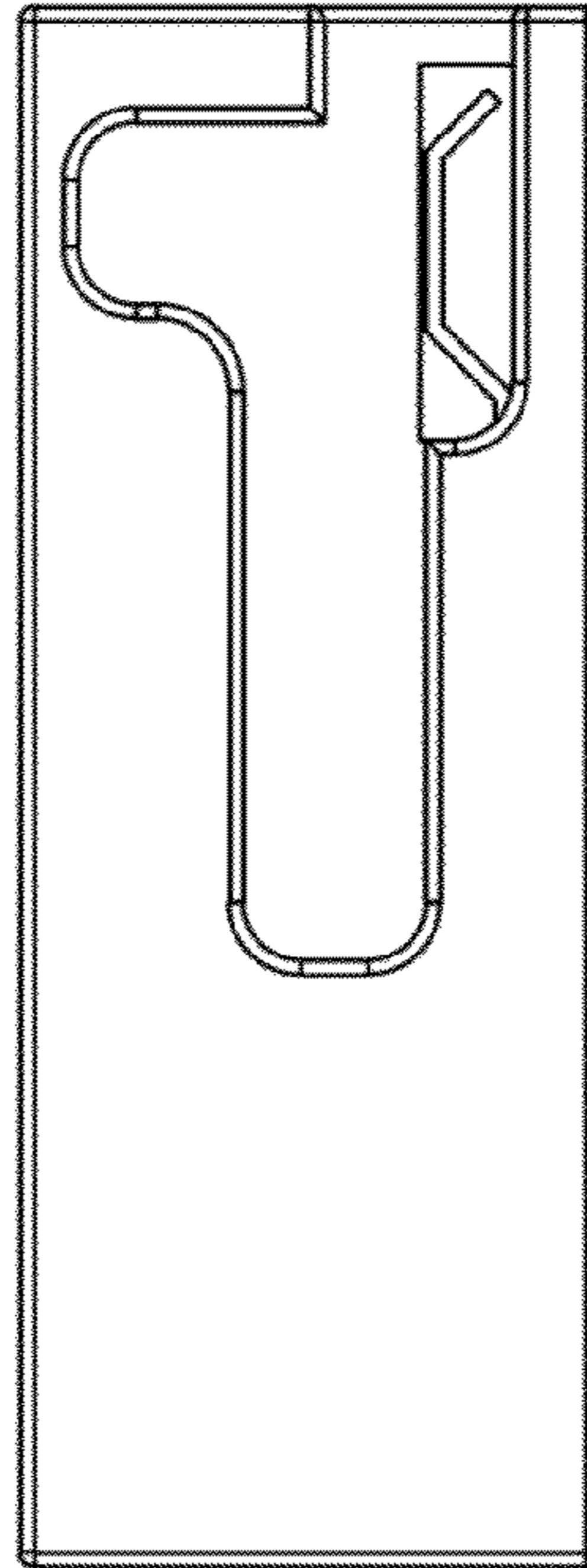


FIG. 23

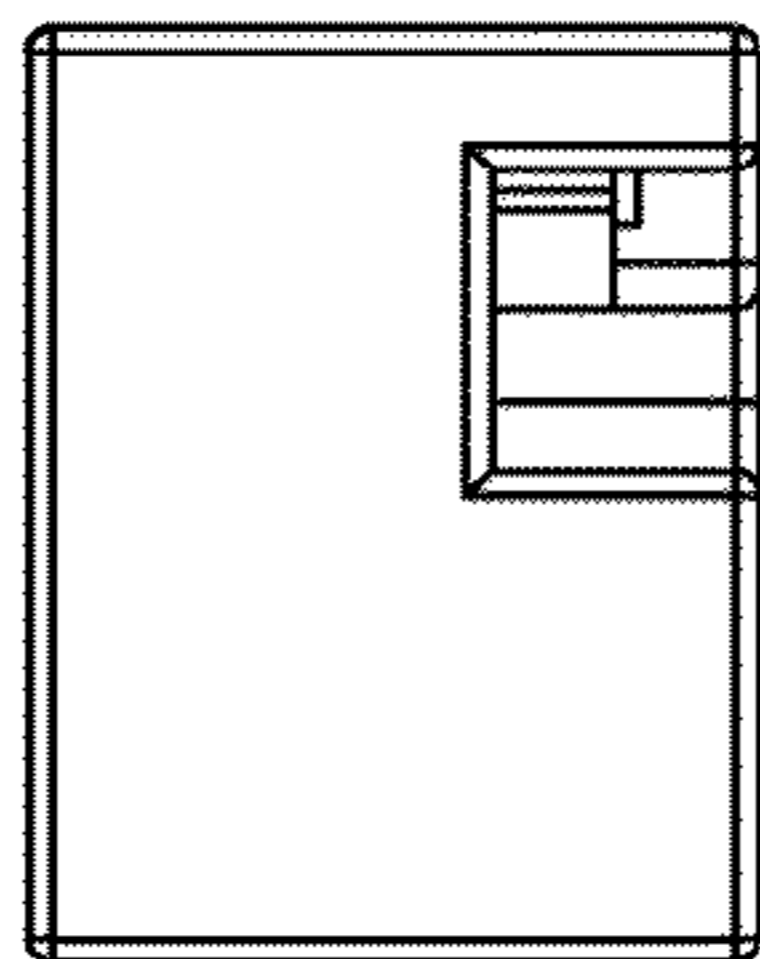


FIG. 24