



US00D716606S

(12) **United States Design Patent**
Johnson et al.

(10) **Patent No.:** **US D716,606 S**

(45) **Date of Patent:** **** Nov. 4, 2014**

(54) **HANDLE FOR A WATER BOTTLE**

(56) **References Cited**

(71) Applicant: **Under Armour, Inc.**, Baltimore, MD
(US)

U.S. PATENT DOCUMENTS

(72) Inventors: **Bradley Johnson**, Cockeysville, MD
(US); **Dwayne Boroski**, Lake in the
Hills, IL (US); **Marvin Lane**, Wheeling,
IL (US)

D194,636 S *	2/1963	Conkle	D7/313
D262,856 S *	2/1982	MacTavish et al.	D7/320
D268,469 S *	4/1983	Ruxton et al.	D7/320
D354,198 S *	1/1995	Chiang et al.	D7/510
D434,278 S *	11/2000	Morales Segura	D7/608
D517,371 S *	3/2006	Bielawski	D7/536
D540,030 S *	4/2007	Schnackenberg	D3/202
D627,594 S *	11/2010	Boonprasop	D7/510
D660,083 S *	5/2012	Tyler et al.	D7/510
D669,654 S *	10/2012	Rogerson	D7/313

(73) Assignee: **Under Armour, Inc.**, Baltimore, MD
(US)

* cited by examiner

(**) Term: **14 Years**

Primary Examiner — Cynthia M Chin

(21) Appl. No.: **29/475,994**

(57) **CLAIM**

(22) Filed: **Dec. 10, 2013**

The ornamental design for a handle for a water bottle, as shown and described.

DESCRIPTION

Related U.S. Application Data

(63) Continuation of application No. 29/462,128, filed on
Jul. 31, 2013.

(51) **LOC (10) Cl.** **07-02**

(52) **U.S. Cl.**

USPC **D7/394**

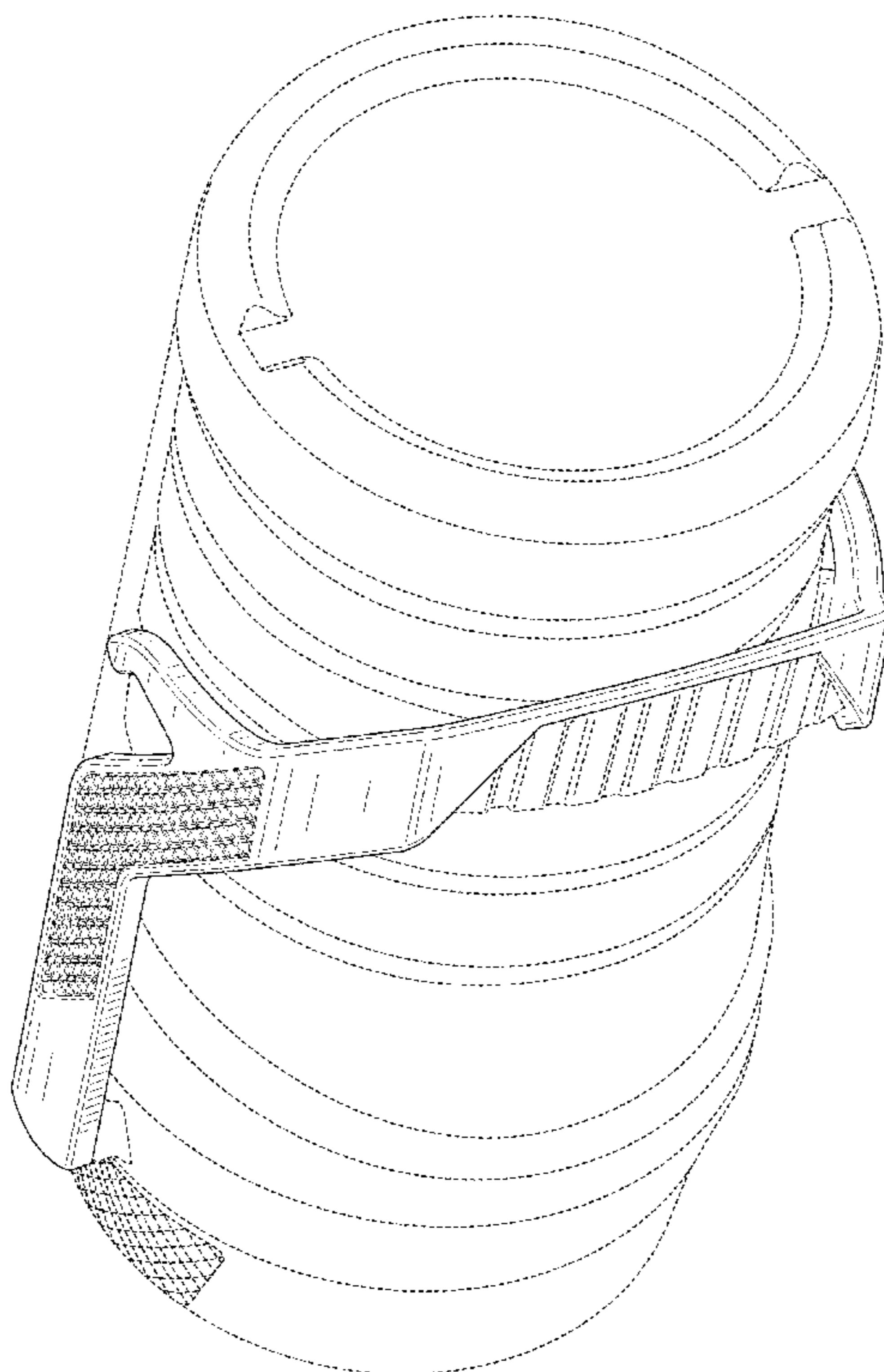
(58) **Field of Classification Search**

USPC D7/396.2, 313, 320, 393, 394, 509, 510,
D7/511, 536, 608; D3/202; D9/455;
222/548; 220/254.1, 715

See application file for complete search history.

FIG. 1 is a top perspective view of a handle for a water bottle showing our new design;
FIG. 2 is a bottom perspective view thereof;
FIG. 3 is a left side elevated view thereof;
FIG. 4 is a right side elevated view thereof;
FIG. 5 is a front view in elevation thereof;
FIG. 6 is a rear view in elevation thereof;
FIG. 7 is a top plan view thereof; and,
FIG. 8 is a bottom plan view thereof.
The broken line illustration of environmental structure in the drawings is not part of the claimed design.

1 Claim, 8 Drawing Sheets



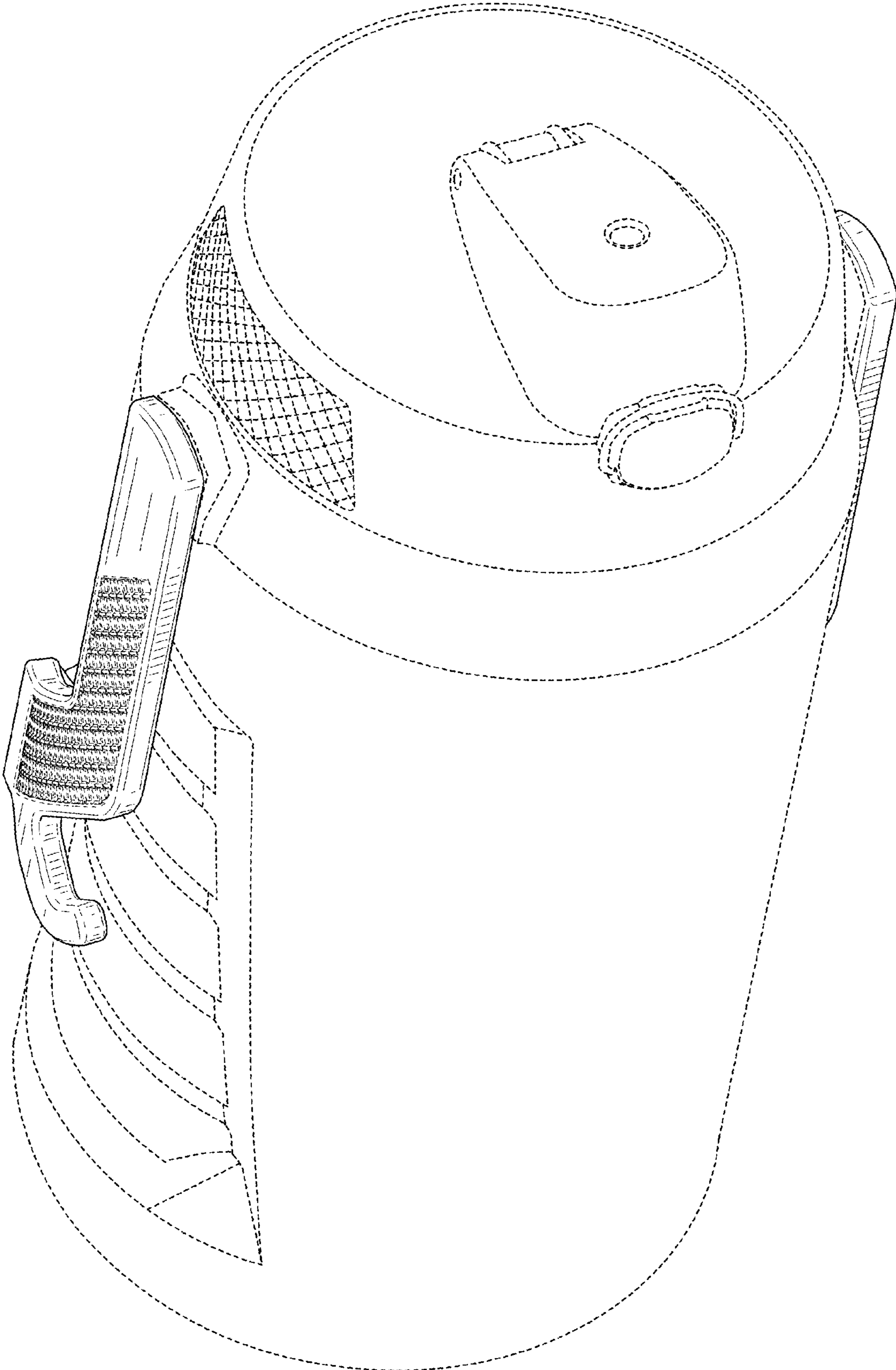


FIG. 1

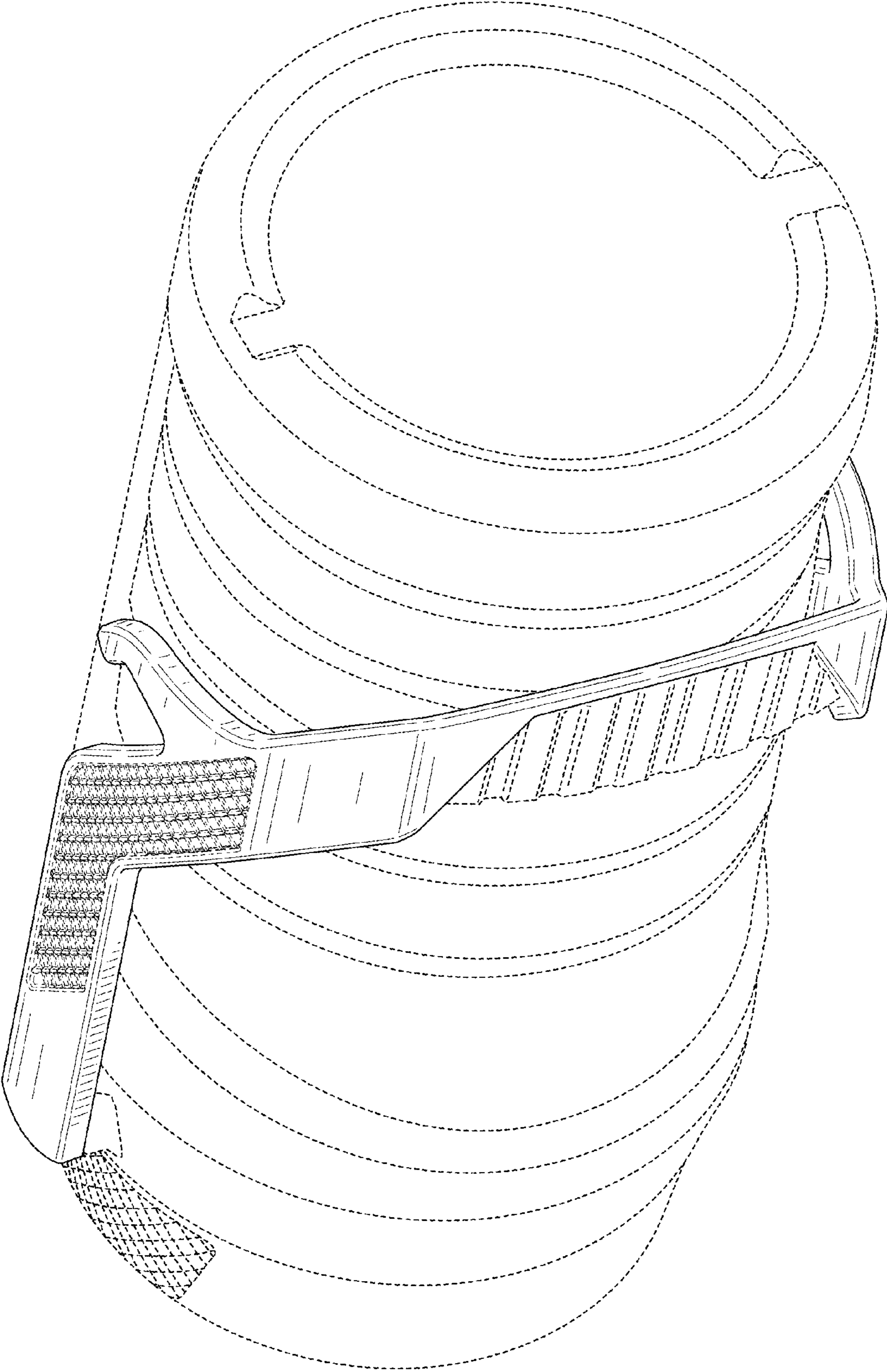


FIG. 2

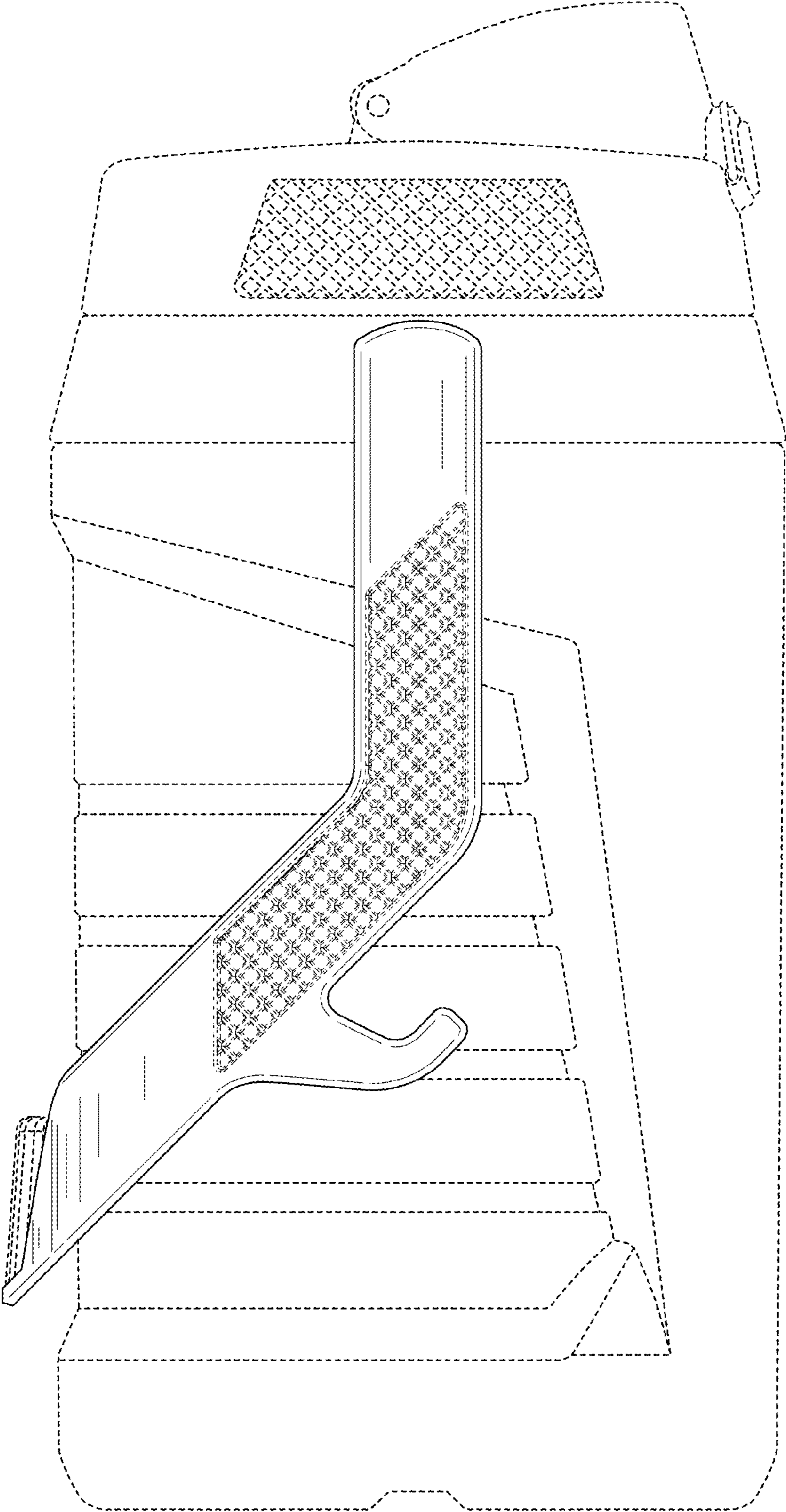


FIG. 3

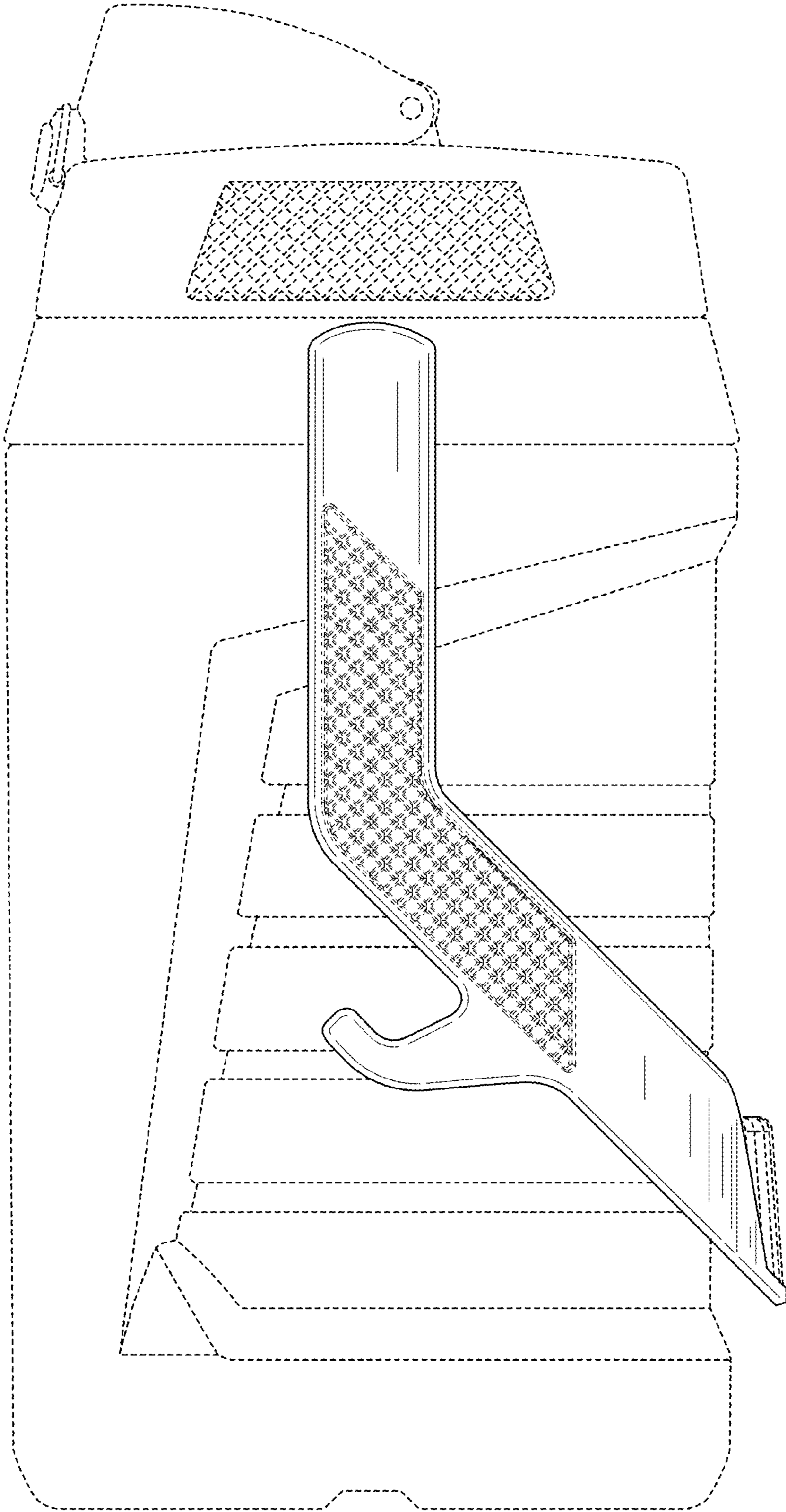


FIG. 4

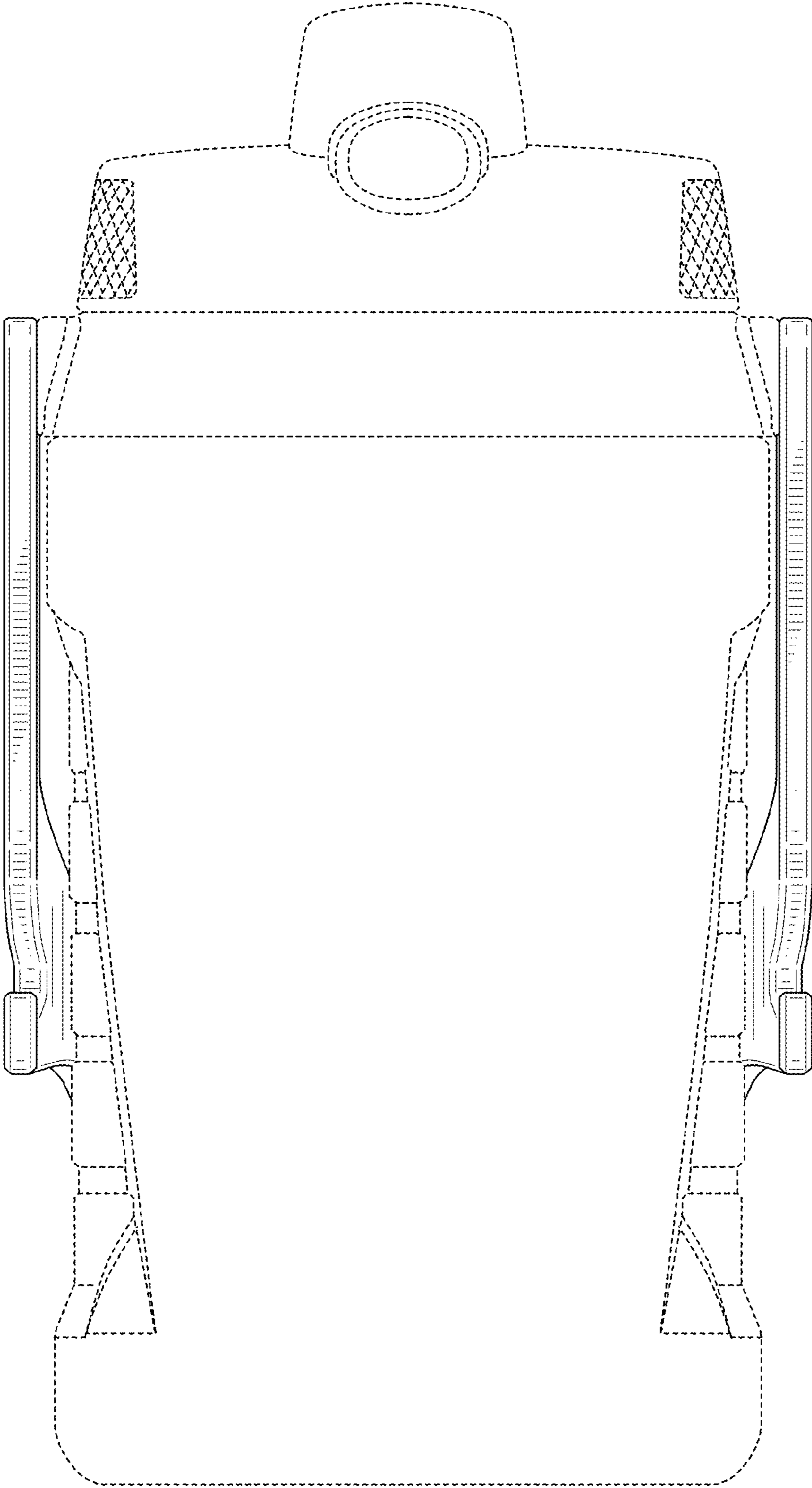


FIG. 5

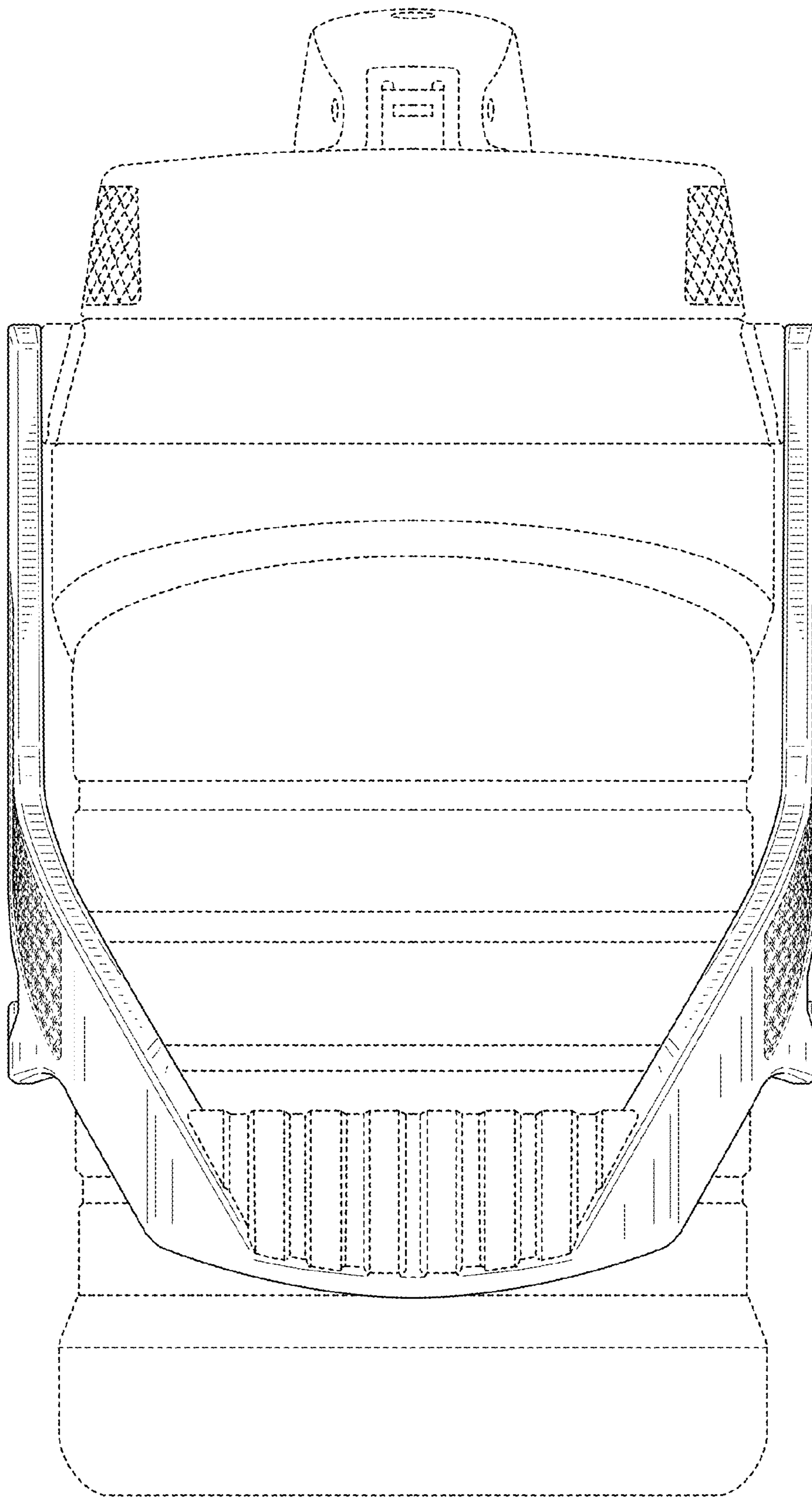


FIG. 6

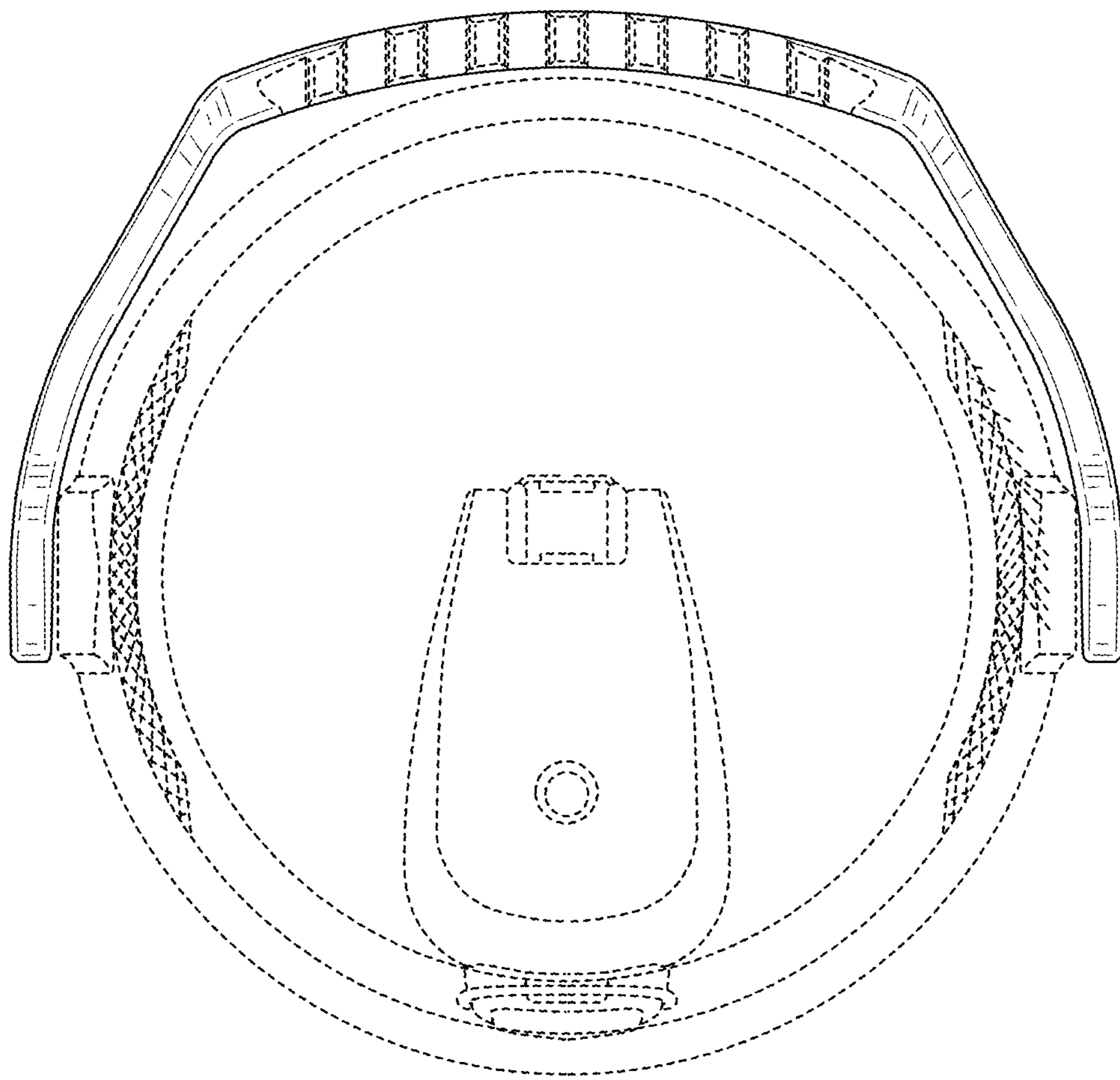


FIG. 7

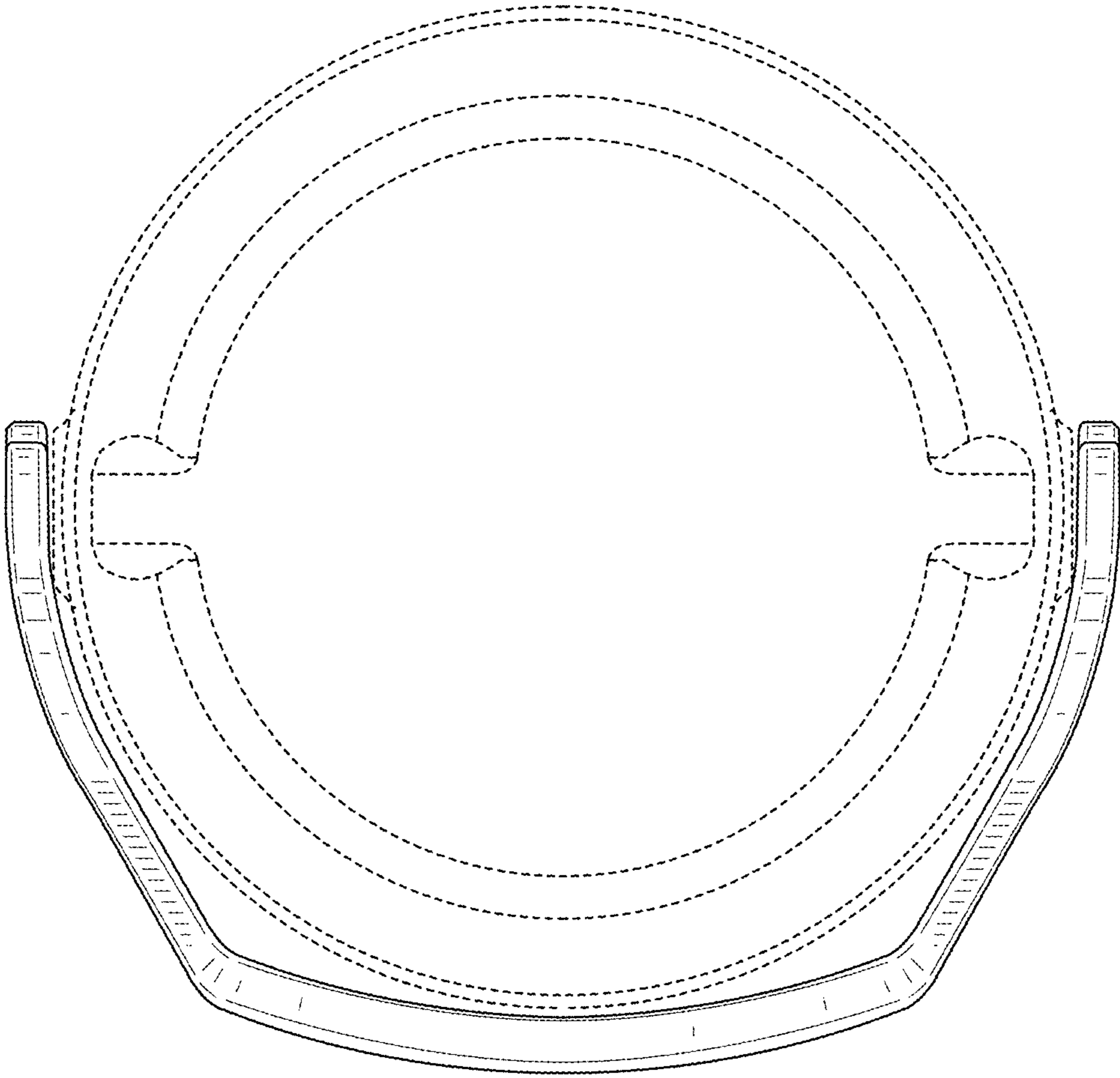


FIG. 8