



US00D716605S

(12) **United States Design Patent**
Likar

(10) **Patent No.:** **US D716,605 S**
(45) **Date of Patent:** **** Nov. 4, 2014**

(54) **HANDLE FOR A STEIN**

(71) Applicant: **Steklarna Hrastnik d.o.o.**, Hrastnik (SI)

(72) Inventor: **Grega Likar**, Celje (SI)

(73) Assignee: **Steklarna Hrastnik d.o.o.** (SI)

(**) Term: **14 Years**

(21) Appl. No.: **29/460,745**

(22) Filed: **Jul. 15, 2013**

(30) **Foreign Application Priority Data**

Jan. 15, 2013 (EP) 002166751-0001

(51) **LOC (10) Cl.** **07-02**

(52) **U.S. Cl.**
USPC **D7/394**

(58) **Field of Classification Search**
USPC D7/500, 509-511, 523, 532, 533, 538,
D7/393, 394, 395, 396.2; D9/500;
220/703, 710.5, 711, 592.16, 592.17,
220/4.01; 215/387, 363; D8/107, 300, 315,
D8/319, 320

See application file for complete search history.

(56) **References Cited**

U.S. PATENT DOCUMENTS

3,261,635	A	*	7/1966	Talay	294/29
D366,810	S	*	2/1996	Yeh	D7/536
D433,277	S	*	11/2000	Copeland	D7/394
D457,032	S	*	5/2002	Copeland	D7/394
D458,509	S	*	6/2002	Kramer et al.	D7/394
D462,871	S	*	9/2002	Kramer et al.	D7/394
D484,359	S	*	12/2003	Rohe	D7/394
D489,574	S	*	5/2004	Copeland	D7/536
D497,515	S	*	10/2004	Bydalek	D7/394
D532,254	S	*	11/2006	Norris et al.	D7/394

* cited by examiner

Primary Examiner — Cynthia M Chin

(74) *Attorney, Agent, or Firm* — Jacobson Holman PLLC

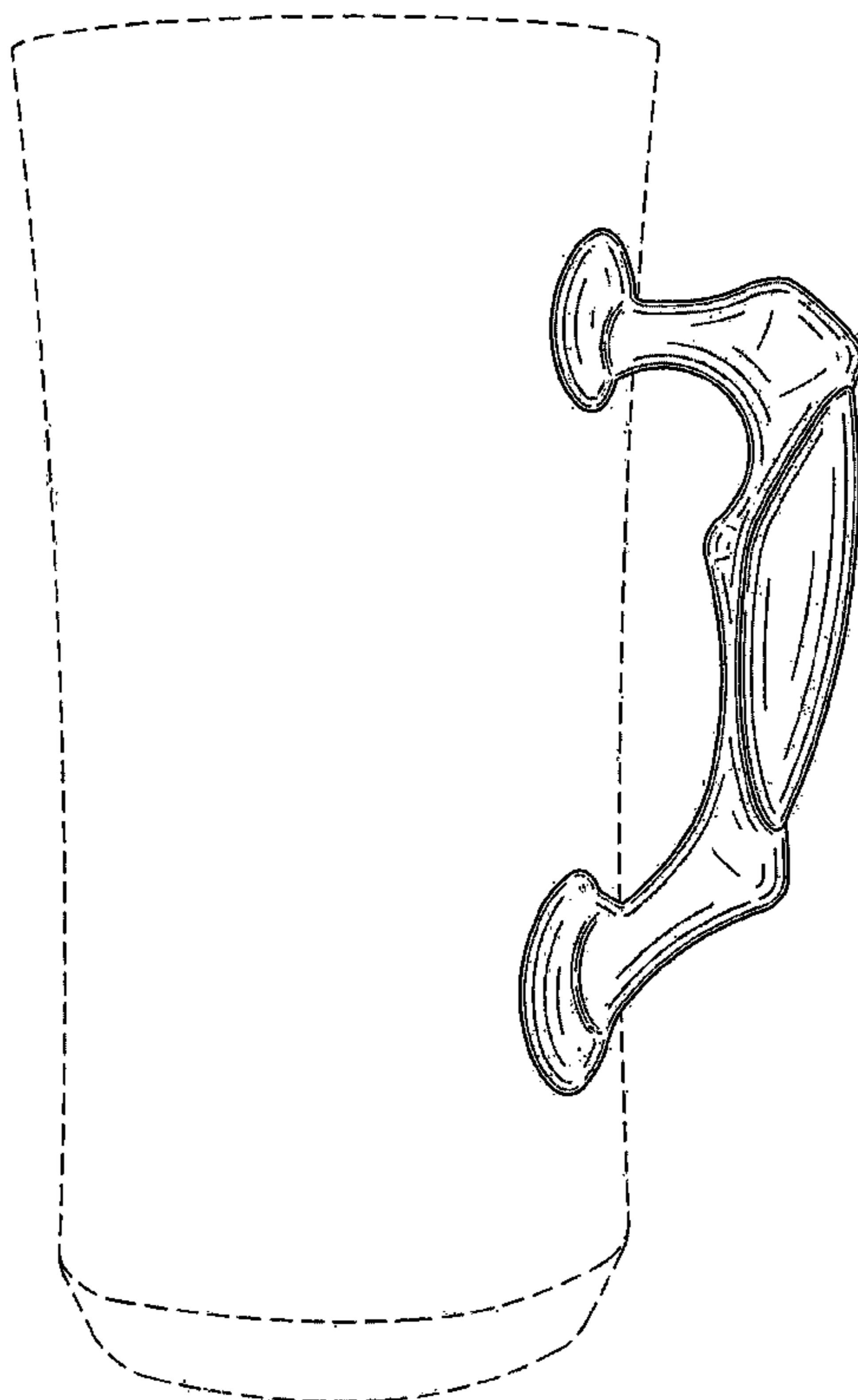
(57) **CLAIM**

The ornamental design for a handle for a stein, as shown and described.

DESCRIPTION

FIG. 1 is a perspective view thereof showing my new design for a handle for a stein,
FIG. 2 is a front view thereof,
FIG. 3 is a bottom view thereof,
FIG. 4 is a top view thereof; and,
FIG. 5 is a left side view thereof, with the right side view being a mirror image thereof.
The broken lines shown are included for the purpose of illustrating the unclaimed portions of the article and form no part of the claimed design.

1 Claim, 5 Drawing Sheets



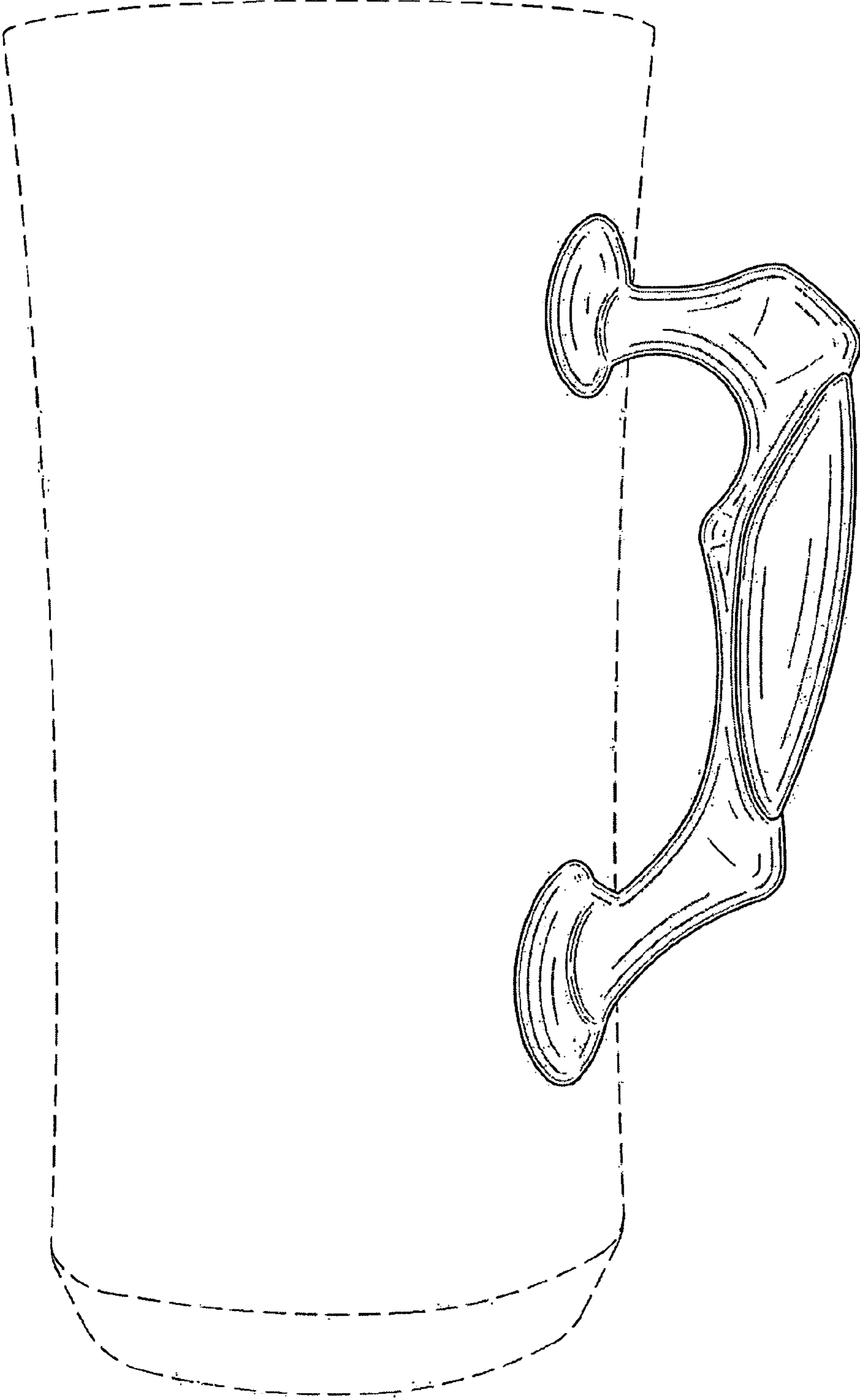


FIG. 1

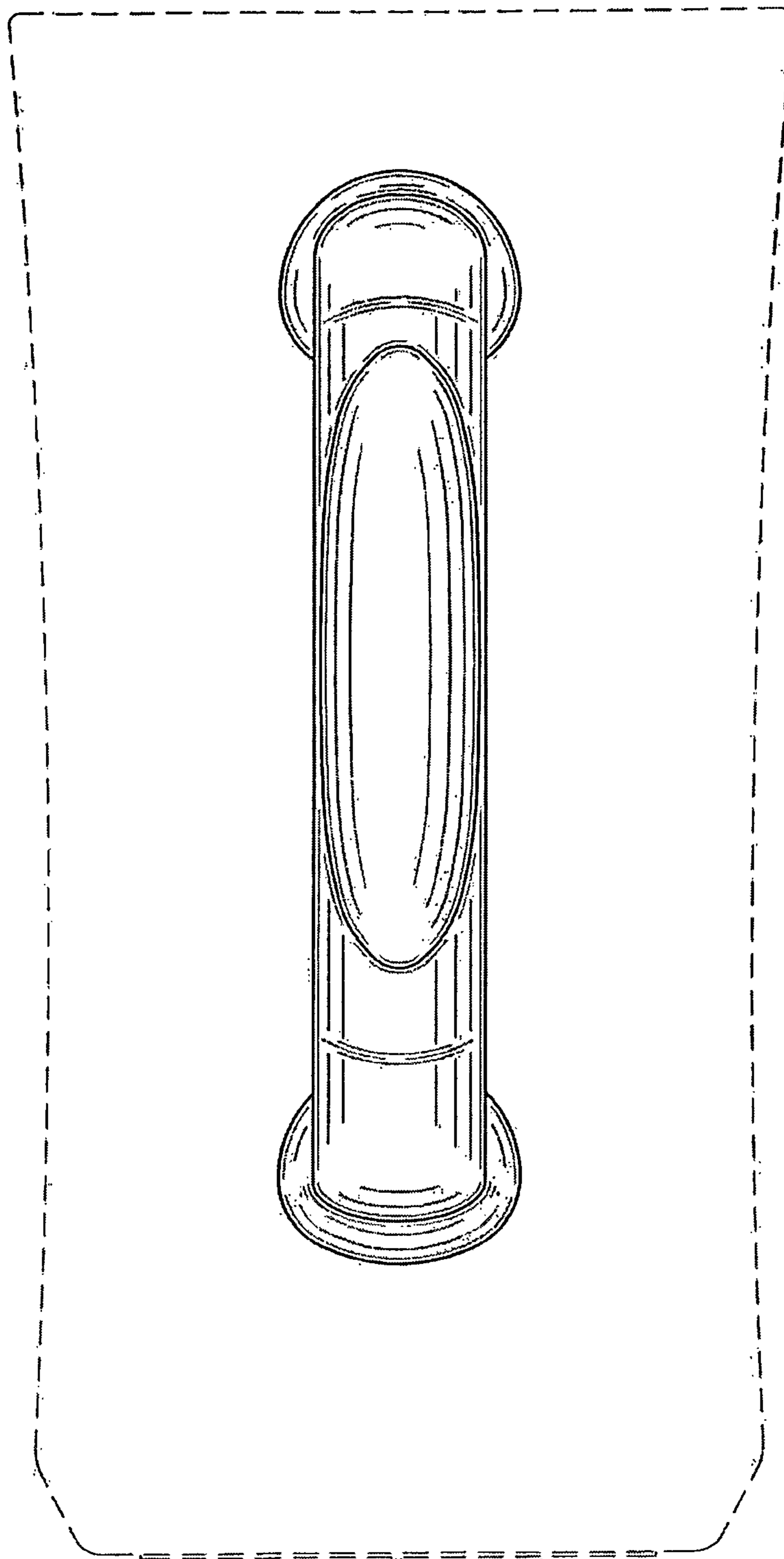


FIG. 2

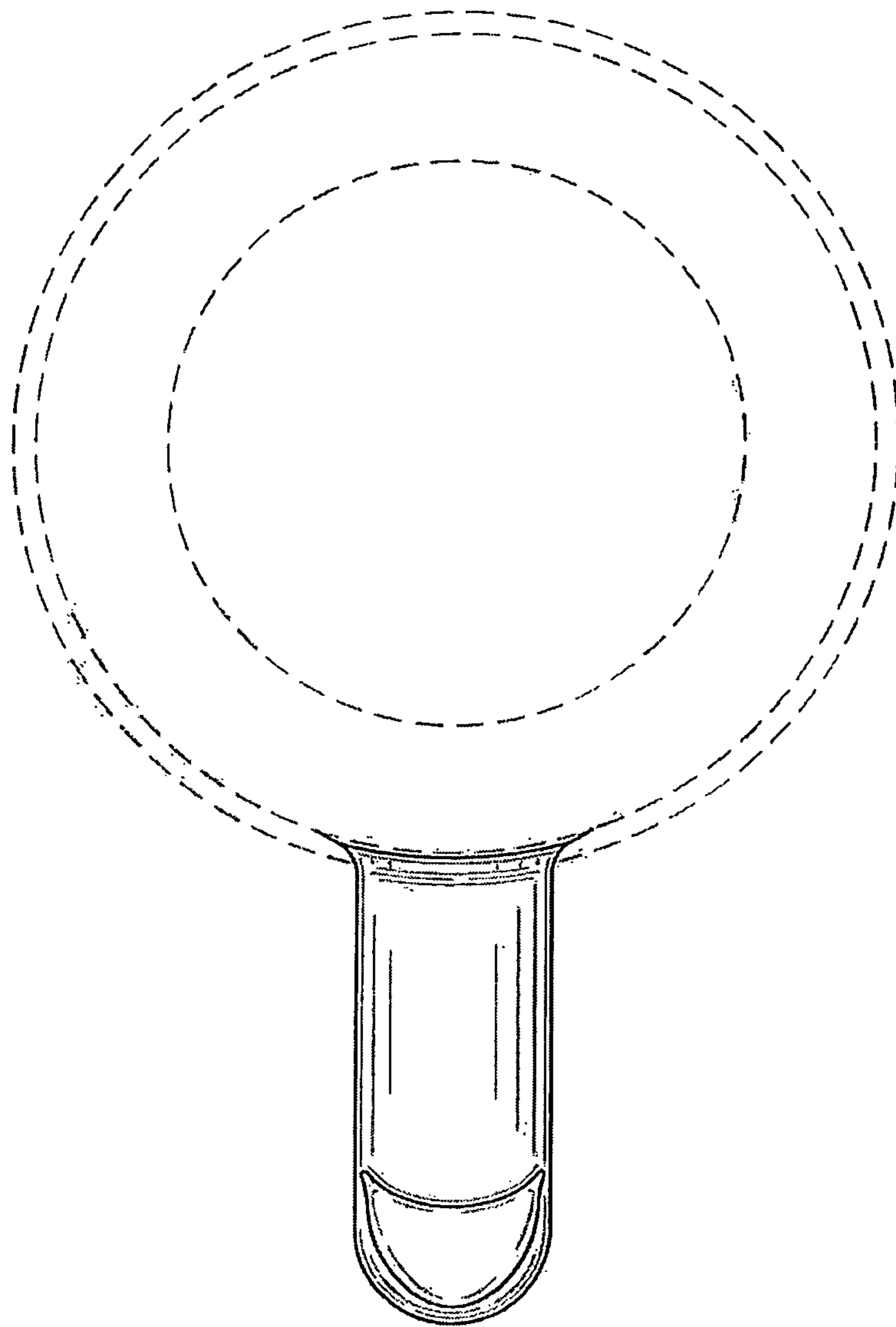


FIG. 3

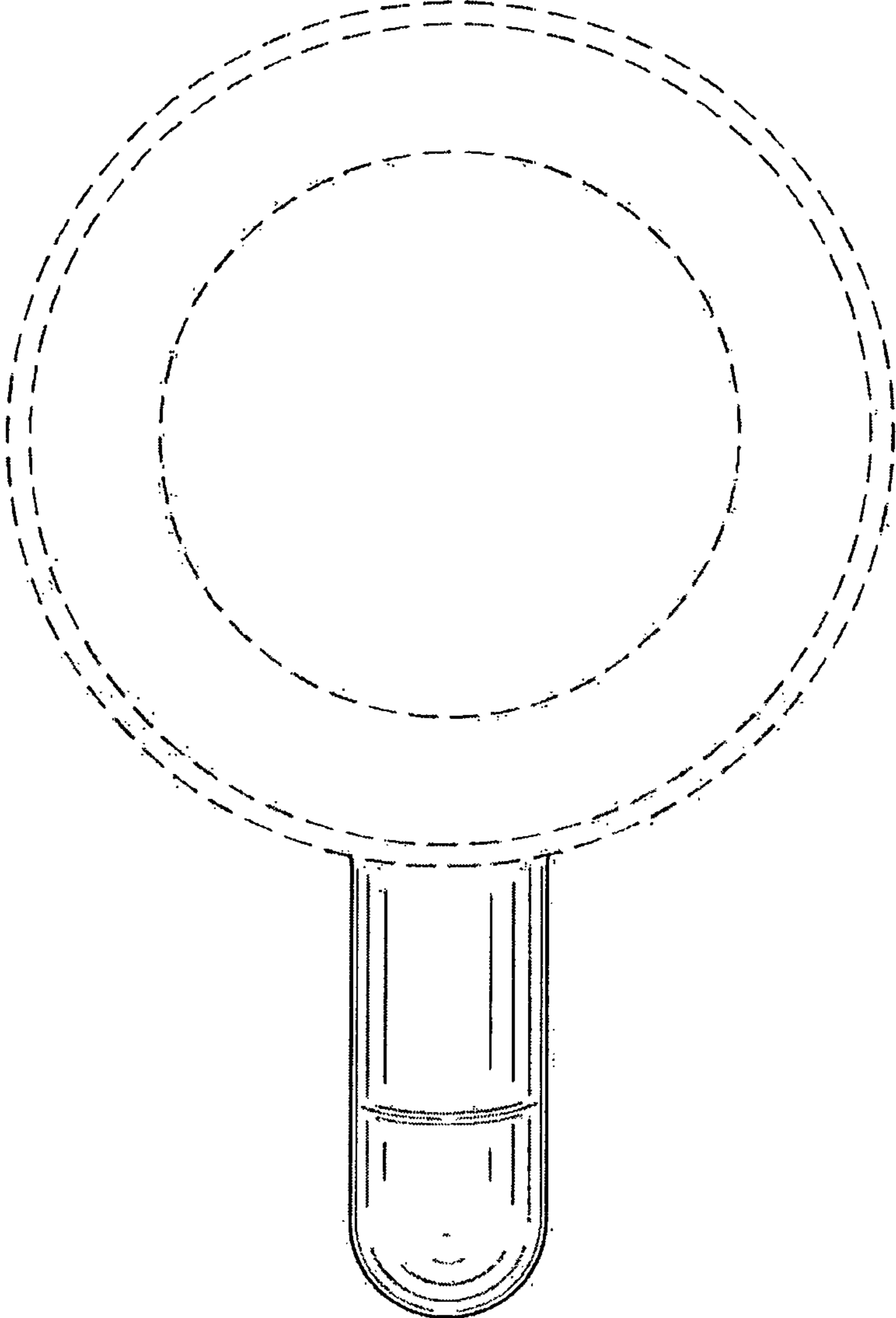


FIG. 4

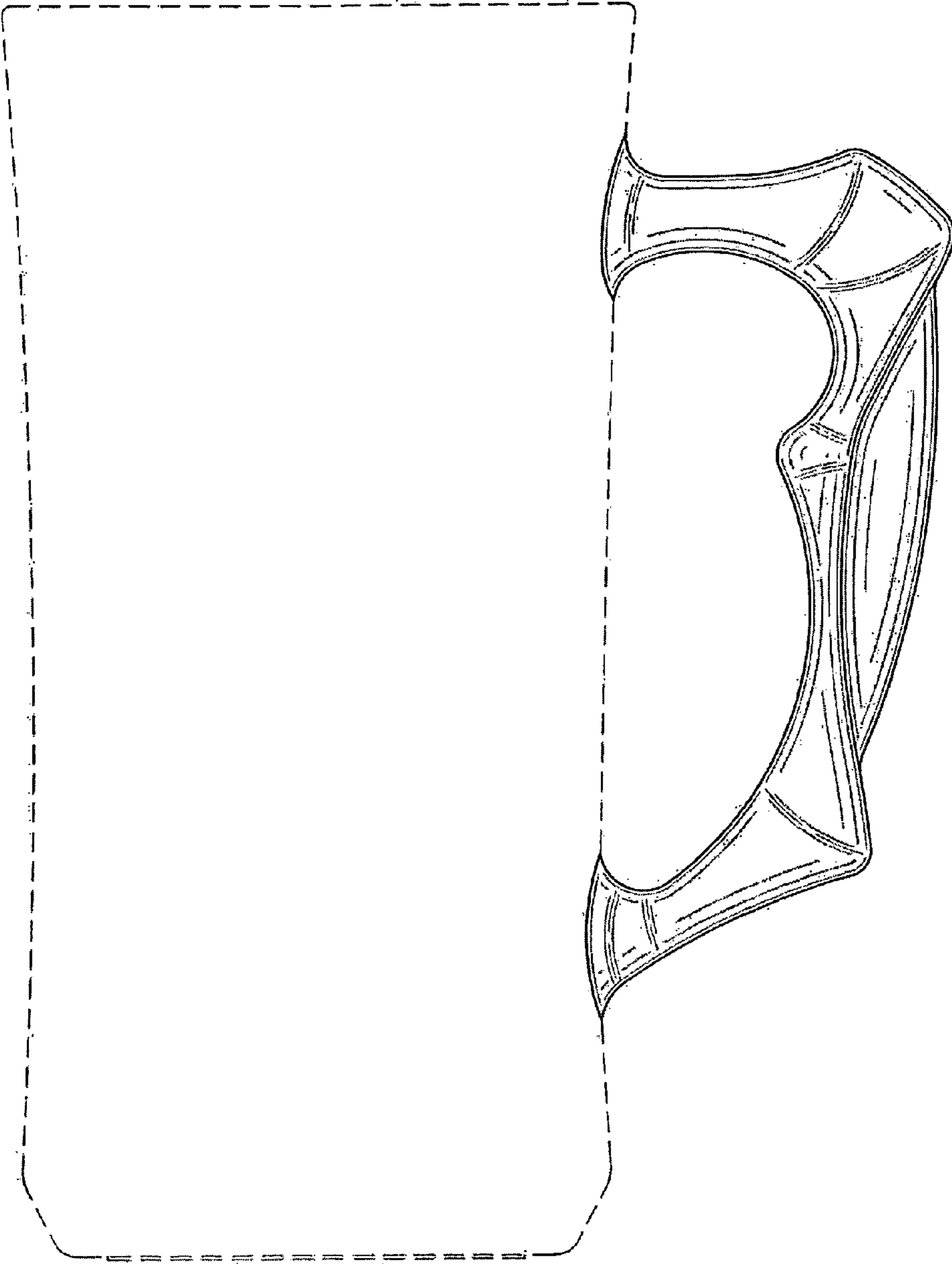


FIG. 5