

US00D716602S

(12) **United States Design Patent**
Thai

(10) **Patent No.:** **US D716,602 S**

(45) **Date of Patent:** **** Nov. 4, 2014**

(54) **BLENDER BASE**

(56) **References Cited**

(71) Applicant: **Breville Pty Limited**, Botany (AU)

U.S. PATENT DOCUMENTS

(72) Inventor: **Khon Thai**, Beverly Hills (AU)

D215,782 S	*	10/1969	Steinkamp	D7/386
D347,966 S	*	6/1994	Doggett	D7/378
D363,190 S	*	10/1995	Brady	D7/386
D369,512 S	*	5/1996	Brady	D7/386
D537,674 S	*	3/2007	Davenport et al.	D7/378
D538,595 S	*	3/2007	White et al.	D7/413
D577,537 S	*	9/2008	Lee	D7/386
D580,216 S	*	11/2008	Ryan	D7/384
D611,760 S	*	3/2010	Ball	D7/378
D625,141 S	*	10/2010	Moore	D7/378
D658,430 S	*	5/2012	Hoare et al.	D7/386
D668,501 S	*	10/2012	Hensel et al.	D7/386
D695,060 S	*	12/2013	Penaherrera et al.	D7/386

(73) Assignee: **Breville Pty Limited**, Botany, New South Wales (AU)

(**) Term: **14 Years**

(21) Appl. No.: **29/471,227**

(22) Filed: **Oct. 29, 2013**

(30) **Foreign Application Priority Data**

May 1, 2013 (AU) 201312017

(51) **LOC (10) Cl.** **31-00**

(52) **U.S. Cl.**
USPC **D7/386; D7/376; D7/378; D7/412**

(58) **Field of Classification Search**
CPC A21C 1/02; A21C 1/04; A23N 1/00;
A23N 1/02; A47J 43/04; A47J 43/25; A47J
43/27; A47J 43/042; A47J 43/044; A47J
43/046; A47J 43/075; A47J 43/0722; A47J
43/0727; B01F 3/00; B01F 3/0807; B01F
3/0853; B01F 13/0059; B01F 13/0064;
B02C 1/08; B02C 2/04; B02C 4/42; B02C
4/142; B02C 4/143; B02C 4/423; B02C
13/1835; B28C 5/10; B28C 5/12; B28C 5/14;
B28C 5/16
USPC D7/372, 376-386, 412-413, 602, 629,
D7/665-666, 669, 679, 693-694;
99/509-511; 241/98, 101.01-101.2,
241/166-169.1, 274-278.2, 285.1-285.3,
241/291, 292.1; 366/64-65, 97-98, 100,
366/197-201, 205-207, 219-220, 341-343

See application file for complete search history.

* cited by examiner

Primary Examiner — Ricky Pham

(74) *Attorney, Agent, or Firm* — Molins & Co Pty Ltd

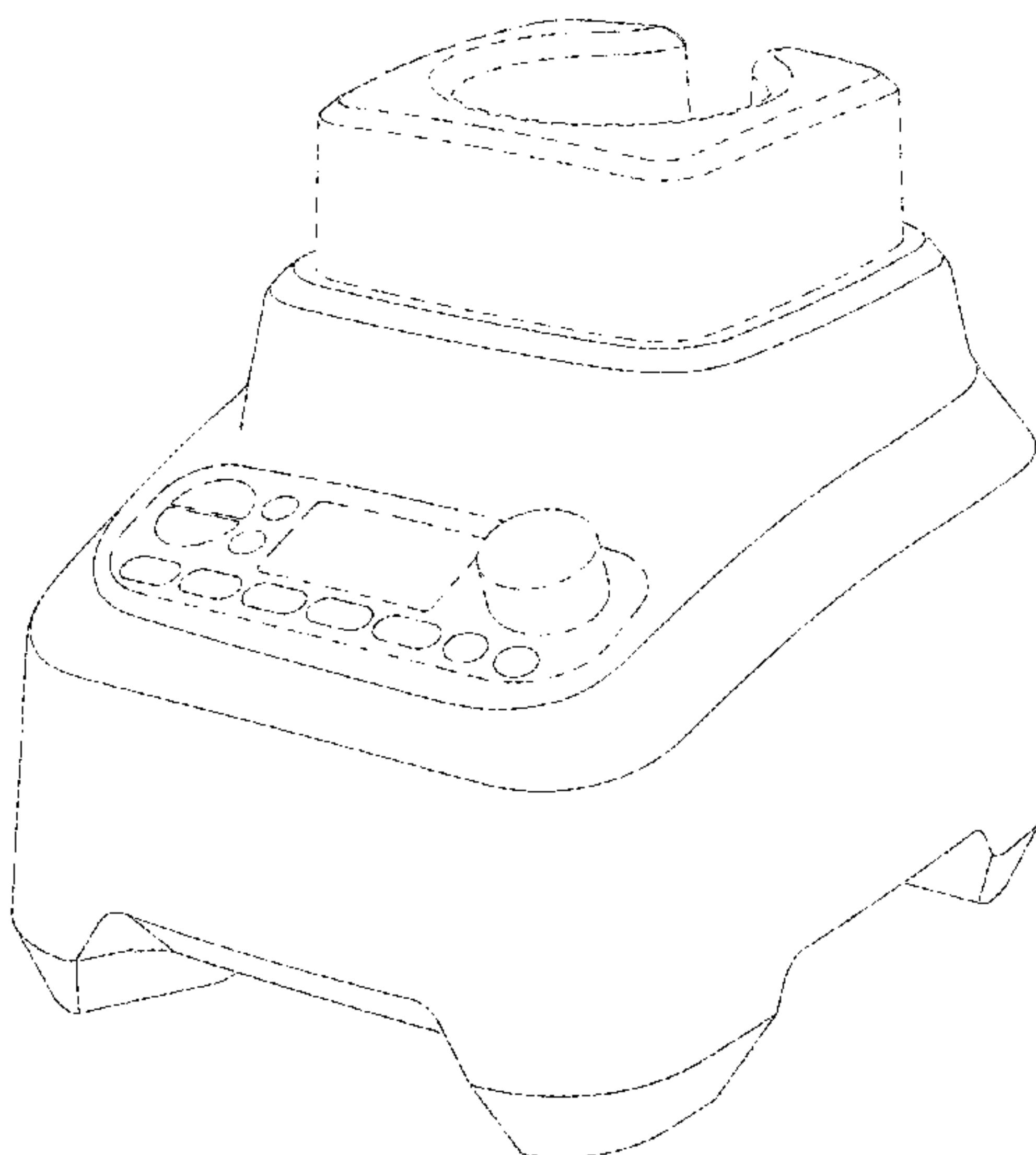
(57) **CLAIM**

The ornamental design for a blender base, as shown and described.

DESCRIPTION

FIG. 1 is a right front perspective view of a blender base showing my new design;
FIG. 2 is a front view thereof;
FIG. 3 is a right side view thereof;
FIG. 4 is a back view thereof;
FIG. 5 is a left side view thereof; and,
FIG. 6 is a top plan view thereof.
Portions forming the underside of the article not shown in the drawings form no part of the claimed design.
The broken lines shown in the drawings are for illustrative purposes only and form no part of the claimed design.

1 Claim, 6 Drawing Sheets



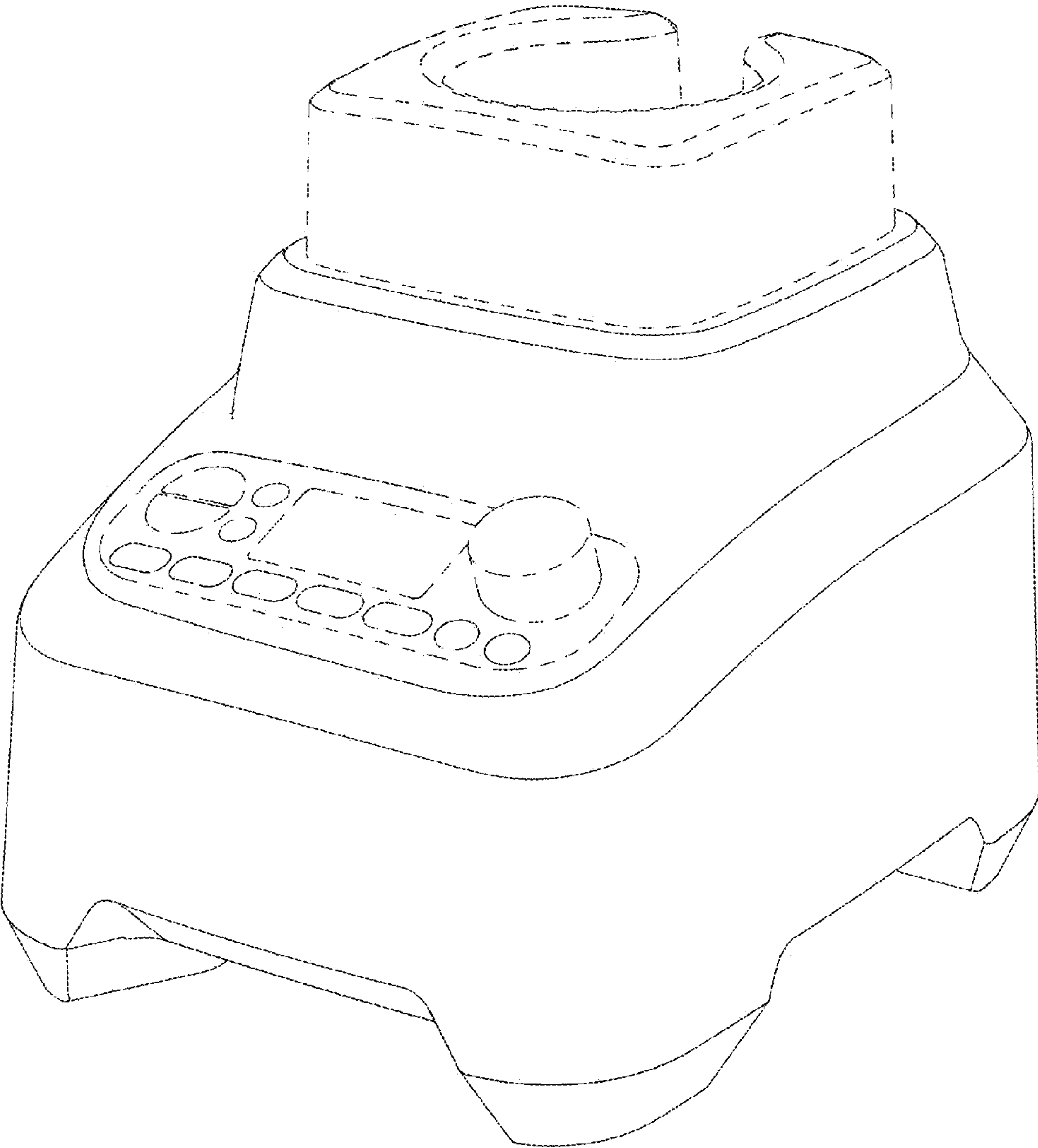


FIG. 1

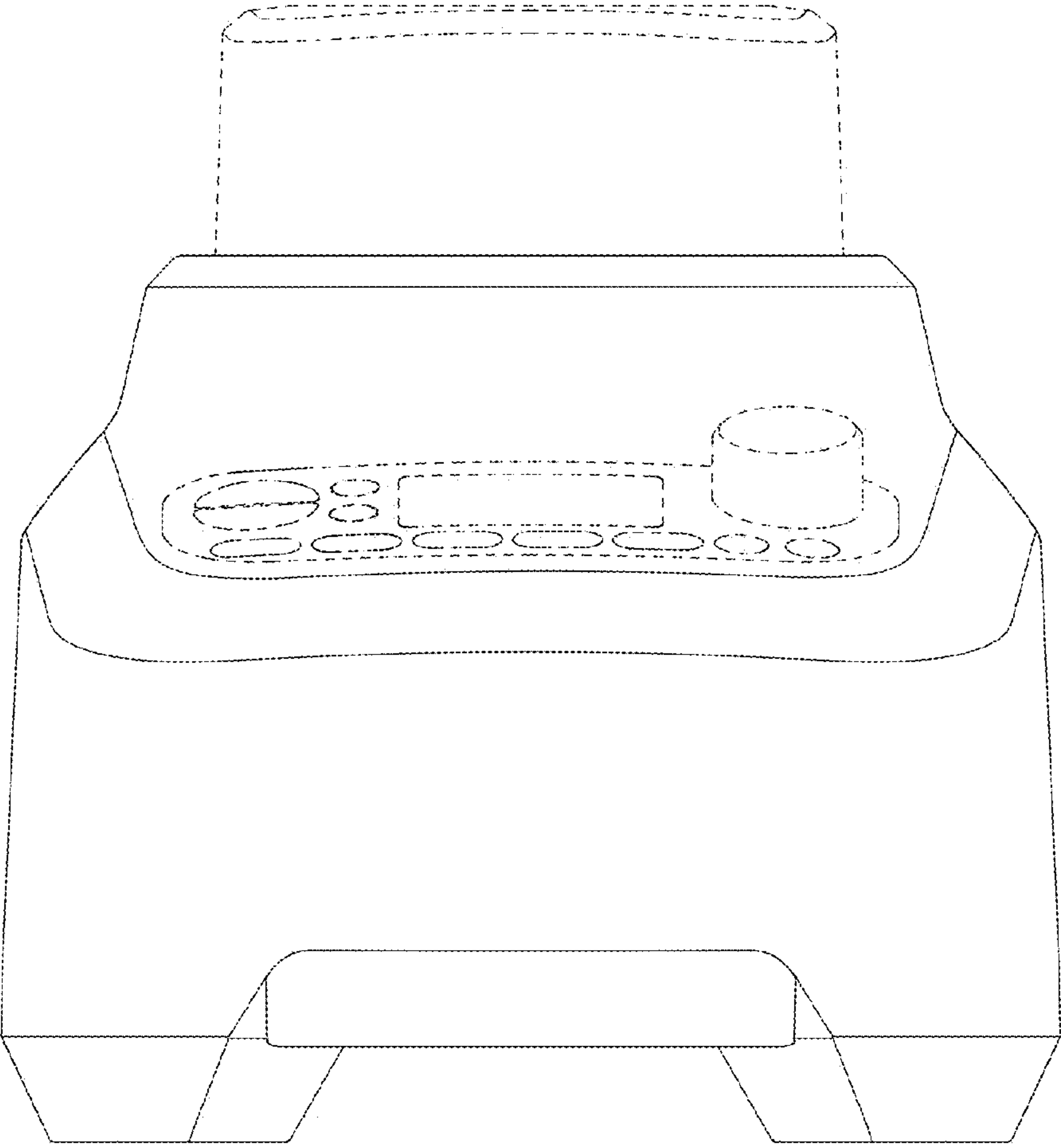


FIG. 2

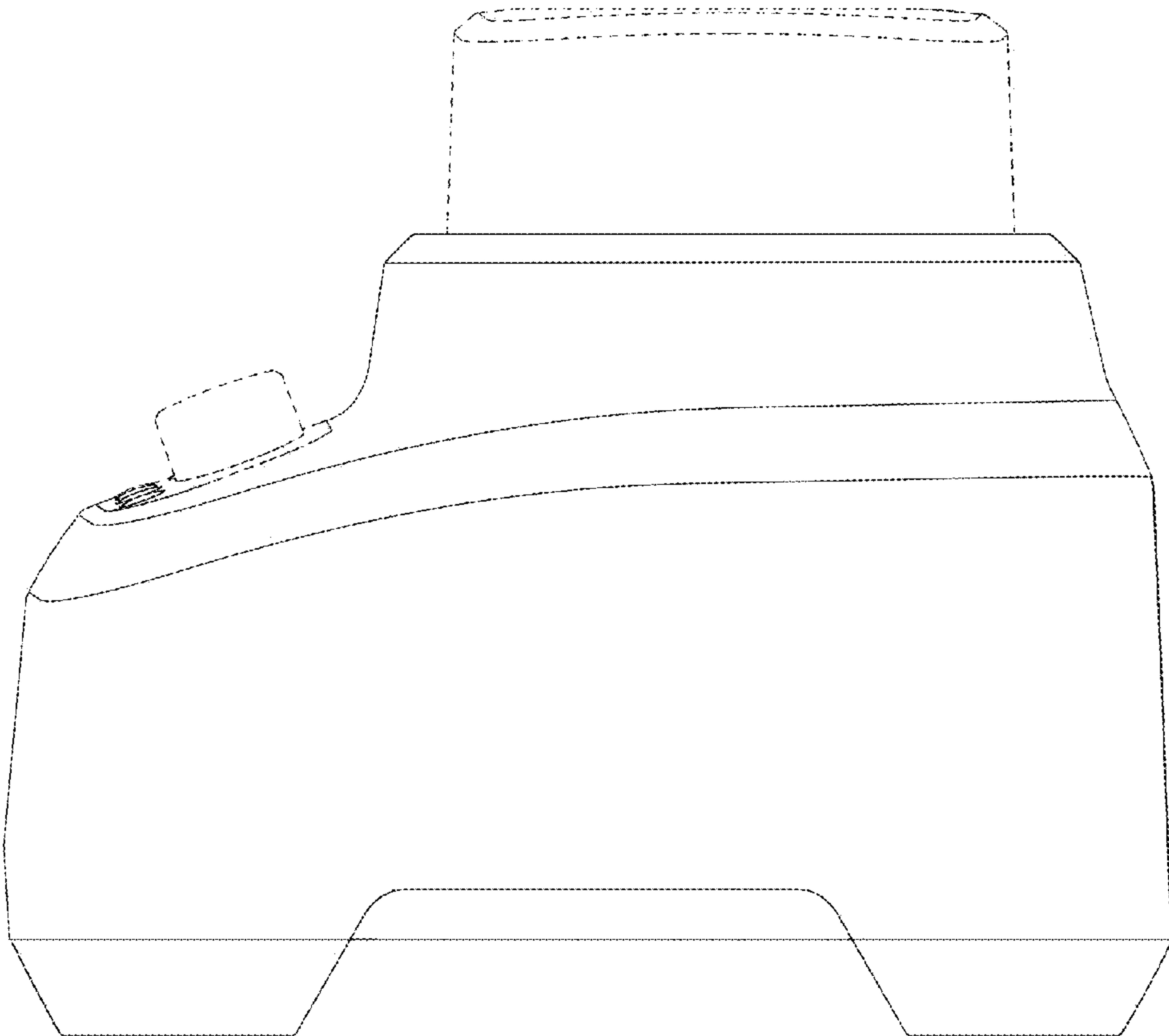


FIG. 3

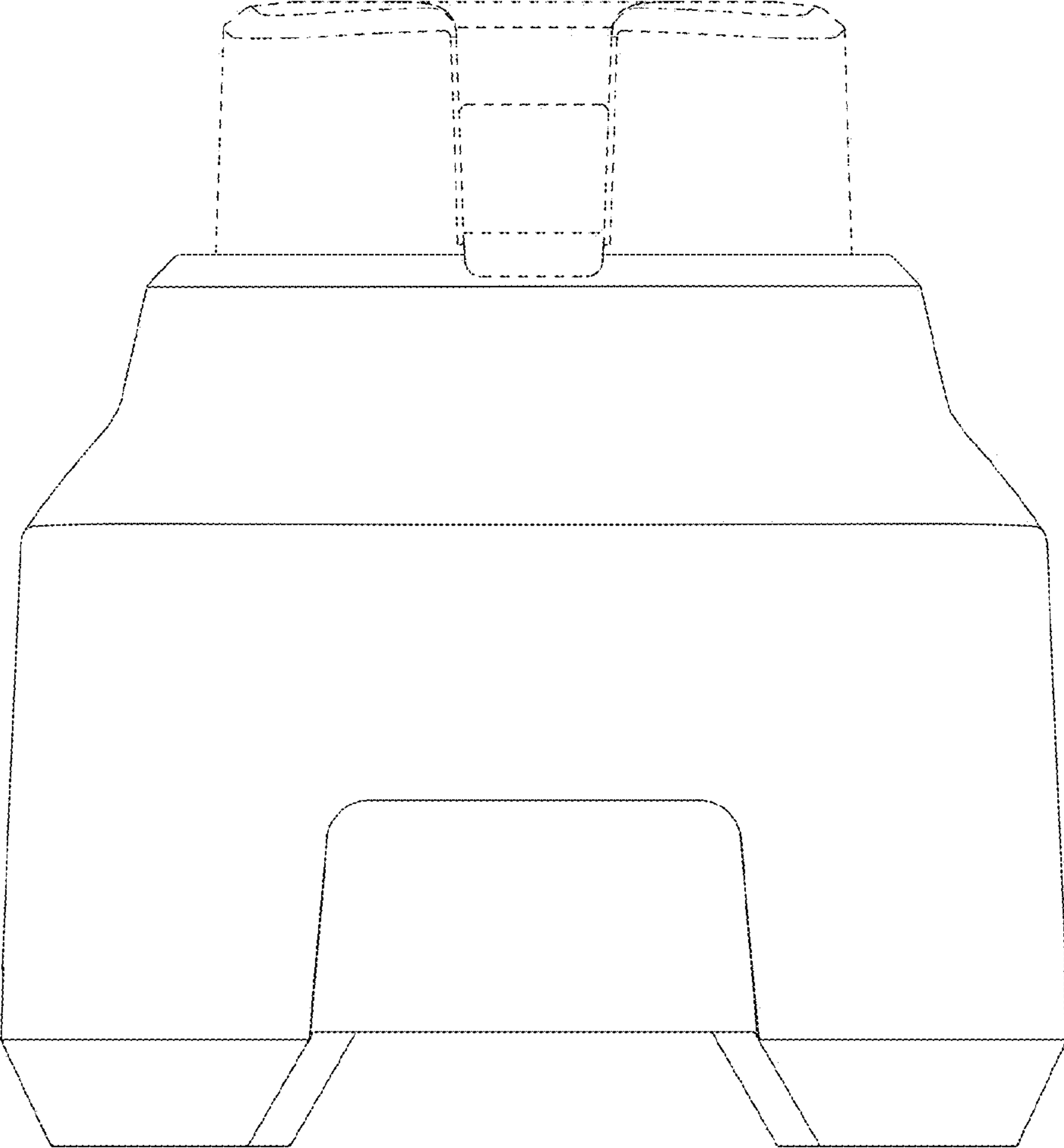


FIG. 4

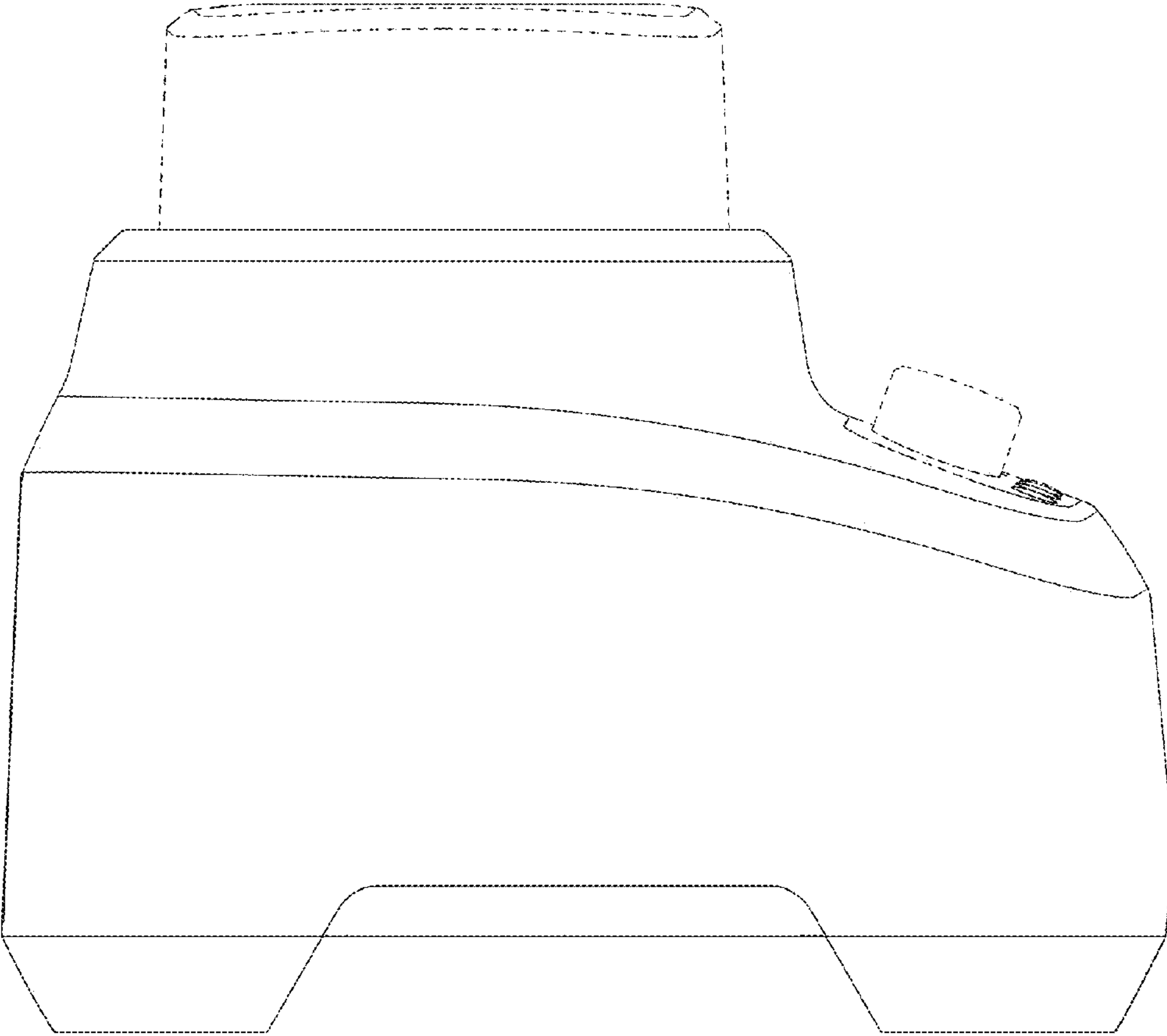


FIG. 5

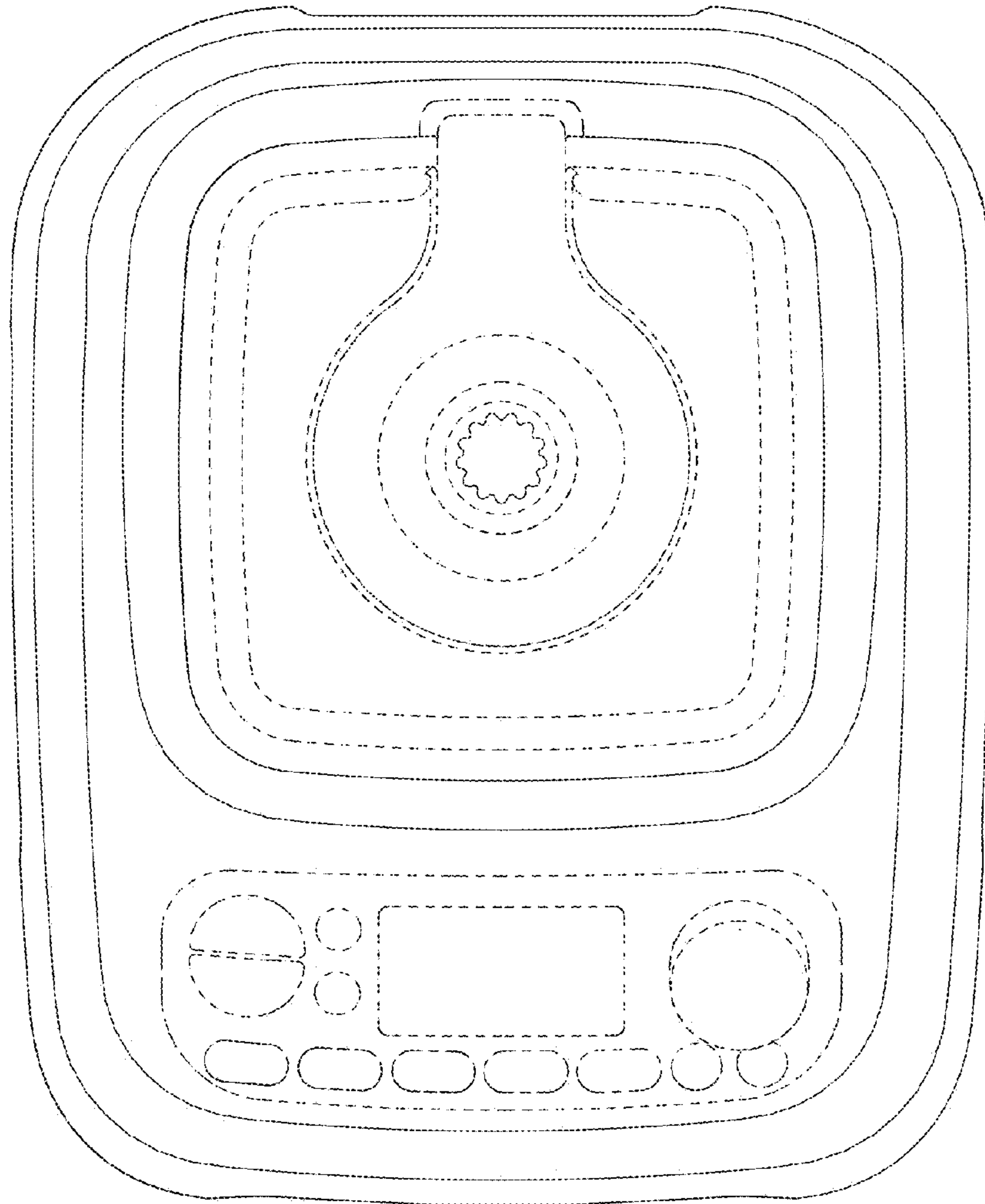


FIG. 6