



US00D716601S

(12) **United States Design Patent**  
**Taghizadeh et al.**

(10) **Patent No.:** **US D716,601 S**  
(45) **Date of Patent:** **\*\* Nov. 4, 2014**

(54) **TISSUE MINCING TOOL**

USPC ..... D7/372, 376-386, 665-666, 669,  
D7/678-679, 693-694; 99/495, 501-513;  
100/94-95, 98 R, 144, 147; 241/33-34,  
241/36-37.5, 82.1, 82.4-82.5, 92-93, 100,  
241/168-169, 273.1; 366/197, 204, 206,  
366/251, 258, 341, 347

(71) Applicant: **Auxocell Laboratories, Inc.**,  
Cambridge, MA (US)

(72) Inventors: **Rouzbeh R. Taghizadeh**, Cambridge,  
MA (US); **Matthew C. Carpenter**,  
North Attleboro, MA (US); **David J.**  
**Copeland**, Minnetonka, MN (US);  
**Matthew J. Perry**, East Greenwich, RI  
(US); **Paul A. Puniello**, Bristol, RI (US)

See application file for complete search history.

(73) Assignee: **Auxocell Laboratories, Inc.**,  
Cambridge, MA (US)

(56) **References Cited**

U.S. PATENT DOCUMENTS

2,695,643 A \* 11/1954 Aberer ..... 241/92  
D215,390 S \* 9/1969 McGee ..... D7/383

(\*\*) Term: **14 Years**

(Continued)

(21) Appl. No.: **29/488,456**

*Primary Examiner* — Ricky Pham

(22) Filed: **Apr. 18, 2014**

(74) *Attorney, Agent, or Firm* — Goodwin Procter LLP

(51) **LOC (10) Cl.** ..... **31-00**

(52) **U.S. Cl.**  
USPC ..... **D7/372**

(57) **CLAIM**

The ornamental design for a tissue mincing tool, as shown and described.

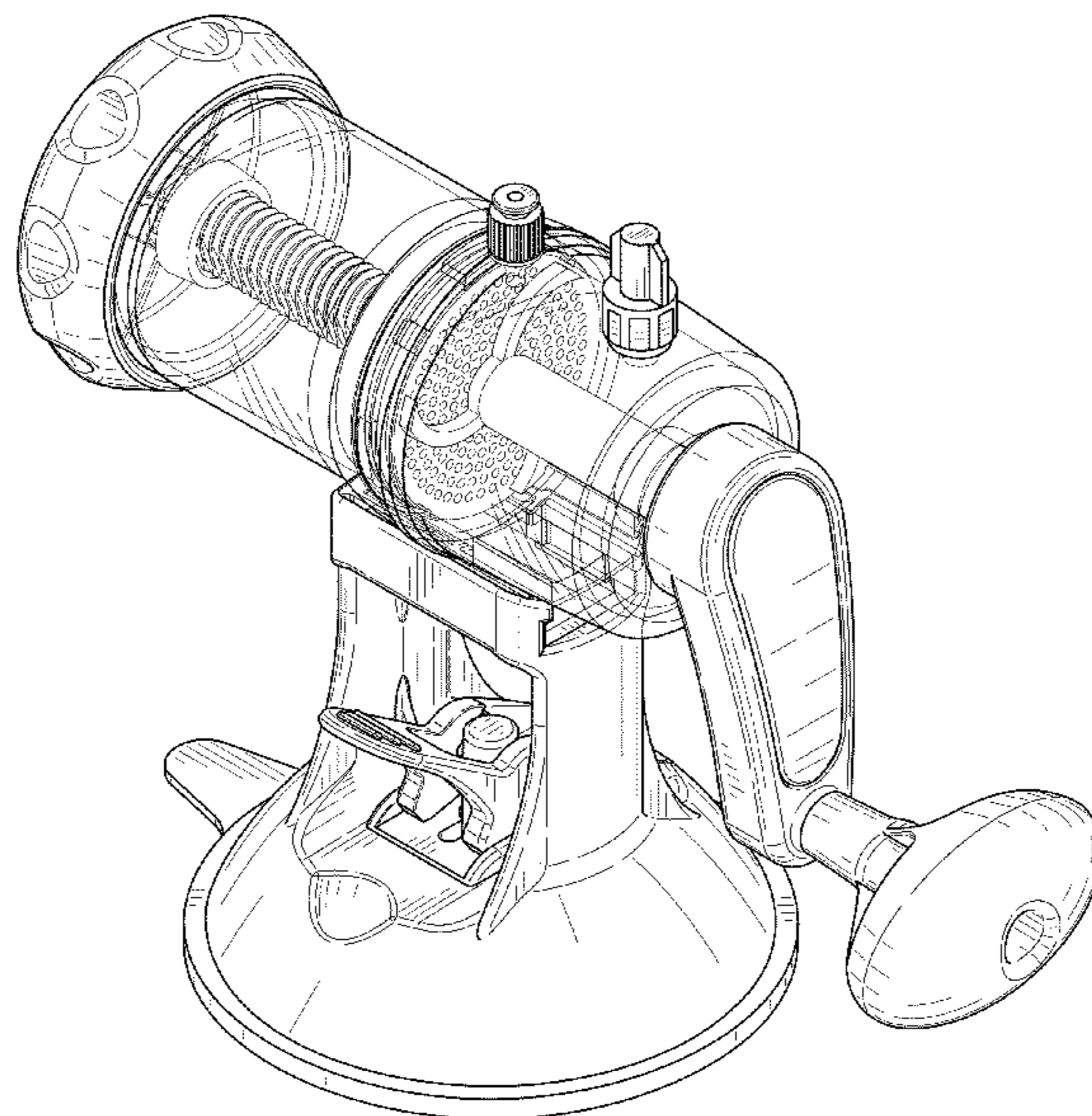
(58) **Field of Classification Search**

**DESCRIPTION**

CPC ..... A01F 2015/07; A01F 2015/077; A01F  
2015/0775; A23N 1/00; A23N 1/02; A47J  
19/00; A47J 19/005; A47J 19/02; A47J  
19/025; A47J 19/04; A47J 19/06; A47J 42/32;  
A47J 42/34; A47J 42/36; A47J 43/044;  
A47J 43/25; A47J 43/255; B01F 7/26;  
B01F 7/28; B01F 11/0082; B01F 13/04;  
B02C 13/00; B02C 13/02; B02C 13/10;  
B02C 18/06; B02C 18/26; B02C 18/30;  
B02C 18/302; B02C 18/304; B02C 18/305;  
B02C 25/00; B02C 2002/00; B02C 2013/00;  
B02C 2013/14; B02C 2013/145; B02C  
2013/18; B02C 2013/1807; B02C 2013/1857;  
B02C 2013/1864; B30B 9/00; B30B 9/16;  
B30B 9/18; B30B 9/20; B30B 9/26; B30B  
9/205; B30B 9/207

FIG. 1 is a top, front perspective view of a tissue mincing tool;  
FIG. 2 is a bottom, rear perspective view of the tissue mincing  
tool;  
FIG. 3 is a front view of the tissue mincing tool;  
FIG. 4 is a rear view of the tissue mincing tool;  
FIG. 5 is a right side view of the tissue mincing tool;  
FIG. 6 is a left side view of the tissue mincing tool;  
FIG. 7 is a top view of the tissue mincing tool;  
FIG. 8 is a bottom view of the tissue mincing tool;  
FIG. 9 is an exploded top, front perspective view of the tissue  
mincing tool; and,  
FIG. 10 is an exploded bottom, rear perspective view of the  
tissue mincing tool.

**1 Claim, 7 Drawing Sheets**



(56)

**References Cited**

U.S. PATENT DOCUMENTS

D233,123 S *	10/1974	Rigamonti .....	D7/372	D531,850 S *	11/2006	Wong .....	D7/372
D424,889 S *	5/2000	Yip .....	D7/679	7,207,510 B2 *	4/2007	Wong .....	241/82.1
D484,738 S *	1/2004	Wong .....	D7/372	D680,390 S *	4/2013	Dichraff et al. ....	D7/693
D507,455 S *	7/2005	Bertulis .....	D7/376	D694,074 S *	11/2013	Wong .....	D7/678
				2006/0243837 A1 *	11/2006	Wong .....	241/82.1
				2007/0277682 A1 *	12/2007	Wong .....	99/495

\* cited by examiner

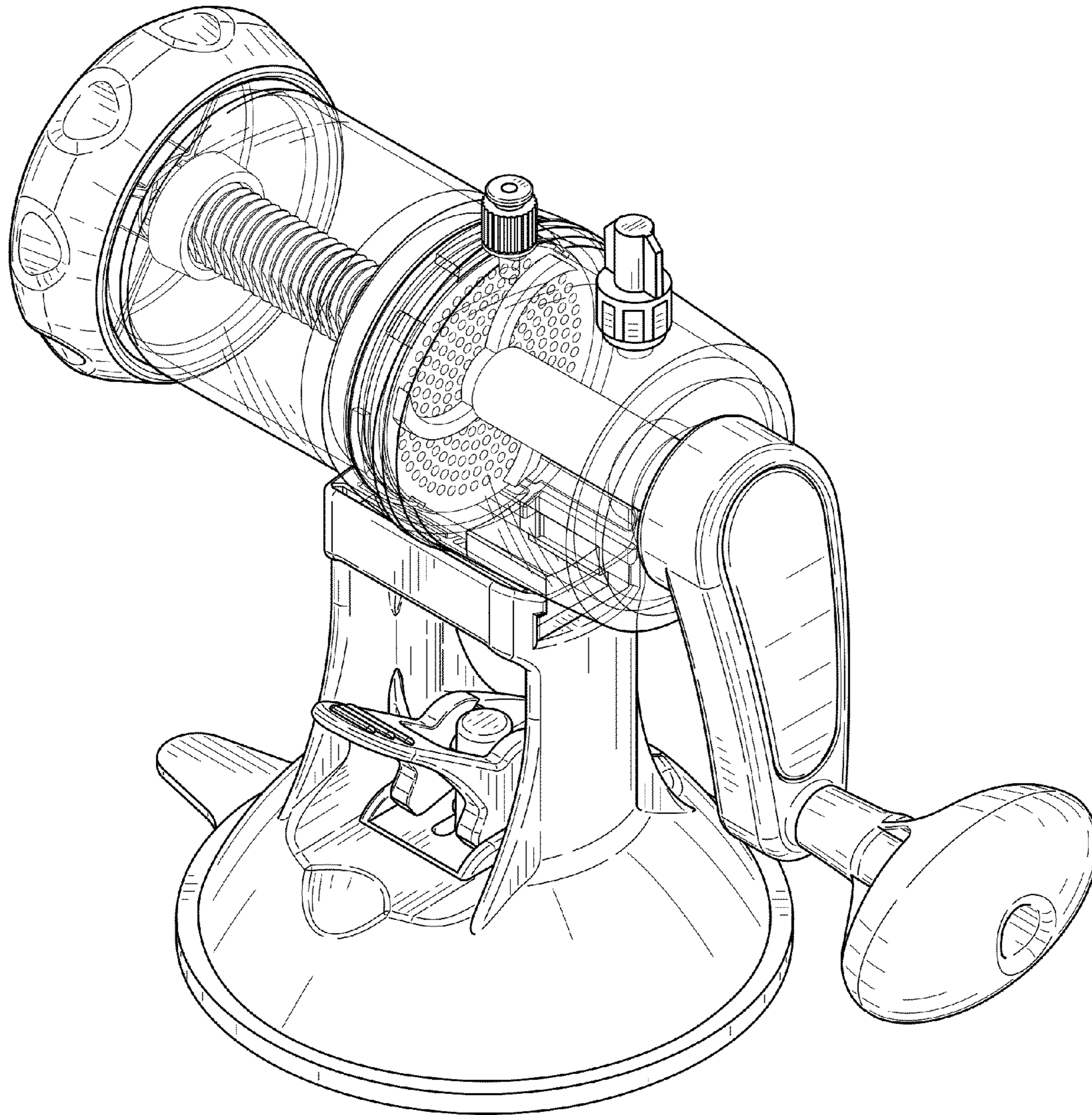


FIG. 1

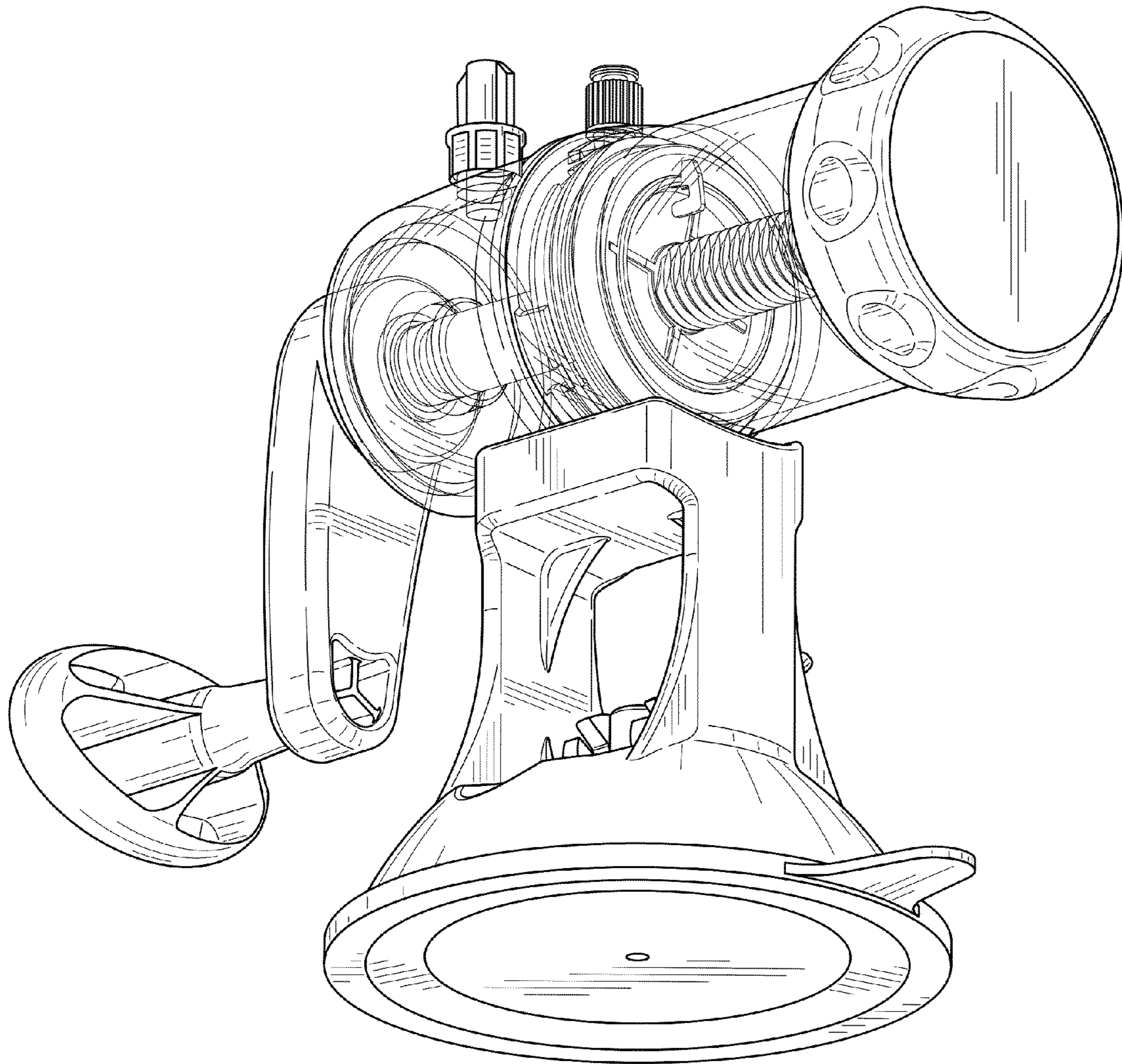


FIG. 2

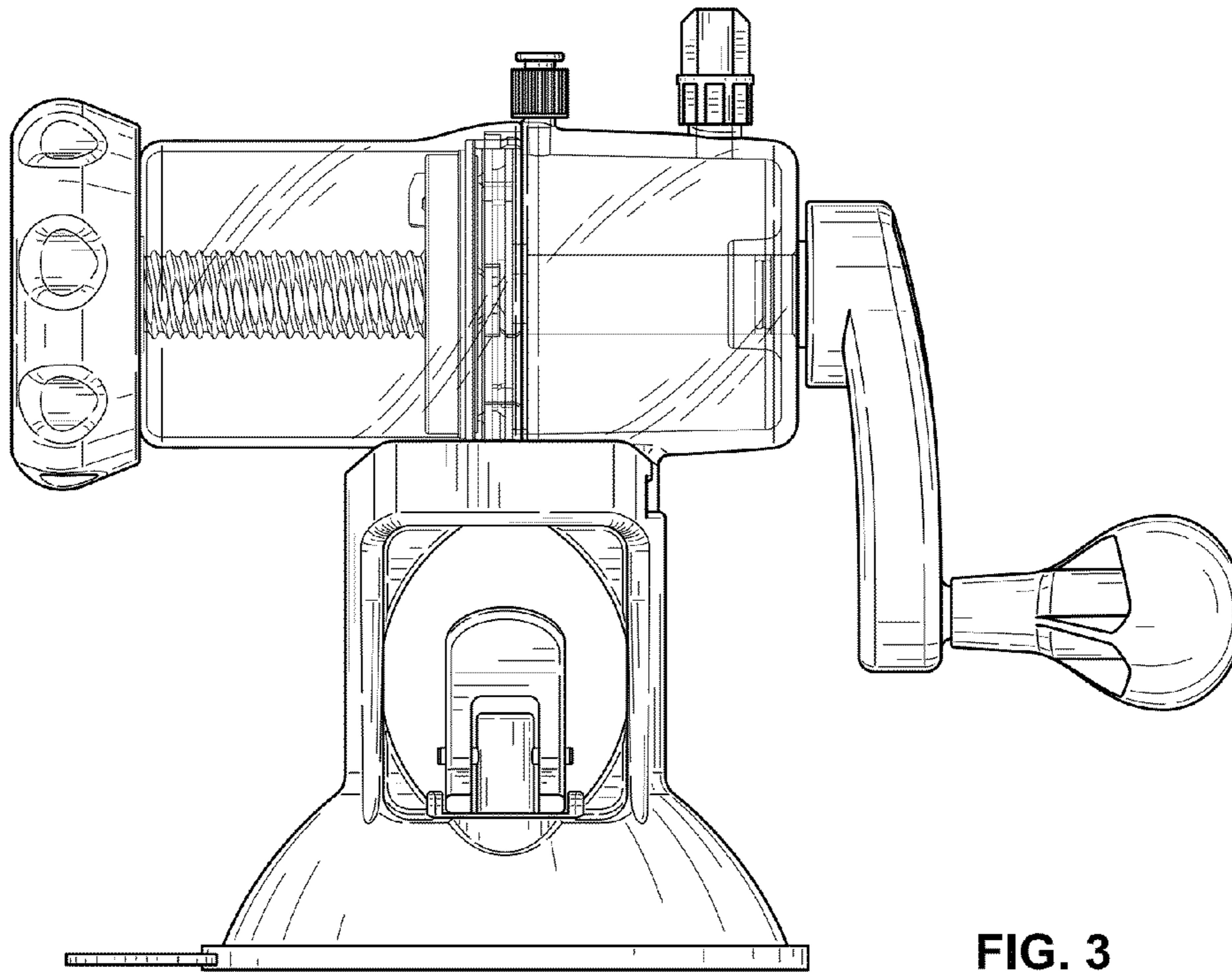


FIG. 3

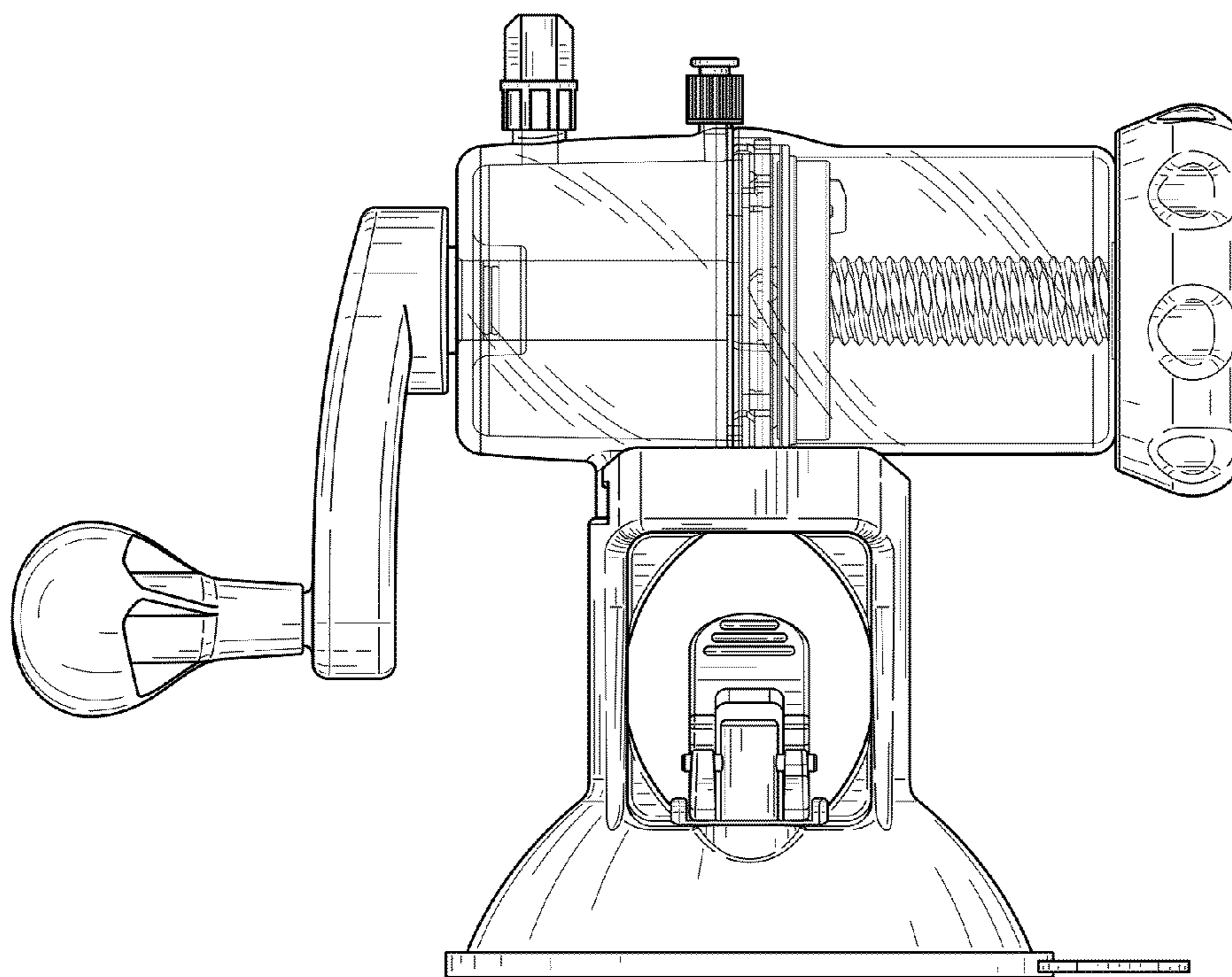


FIG. 4

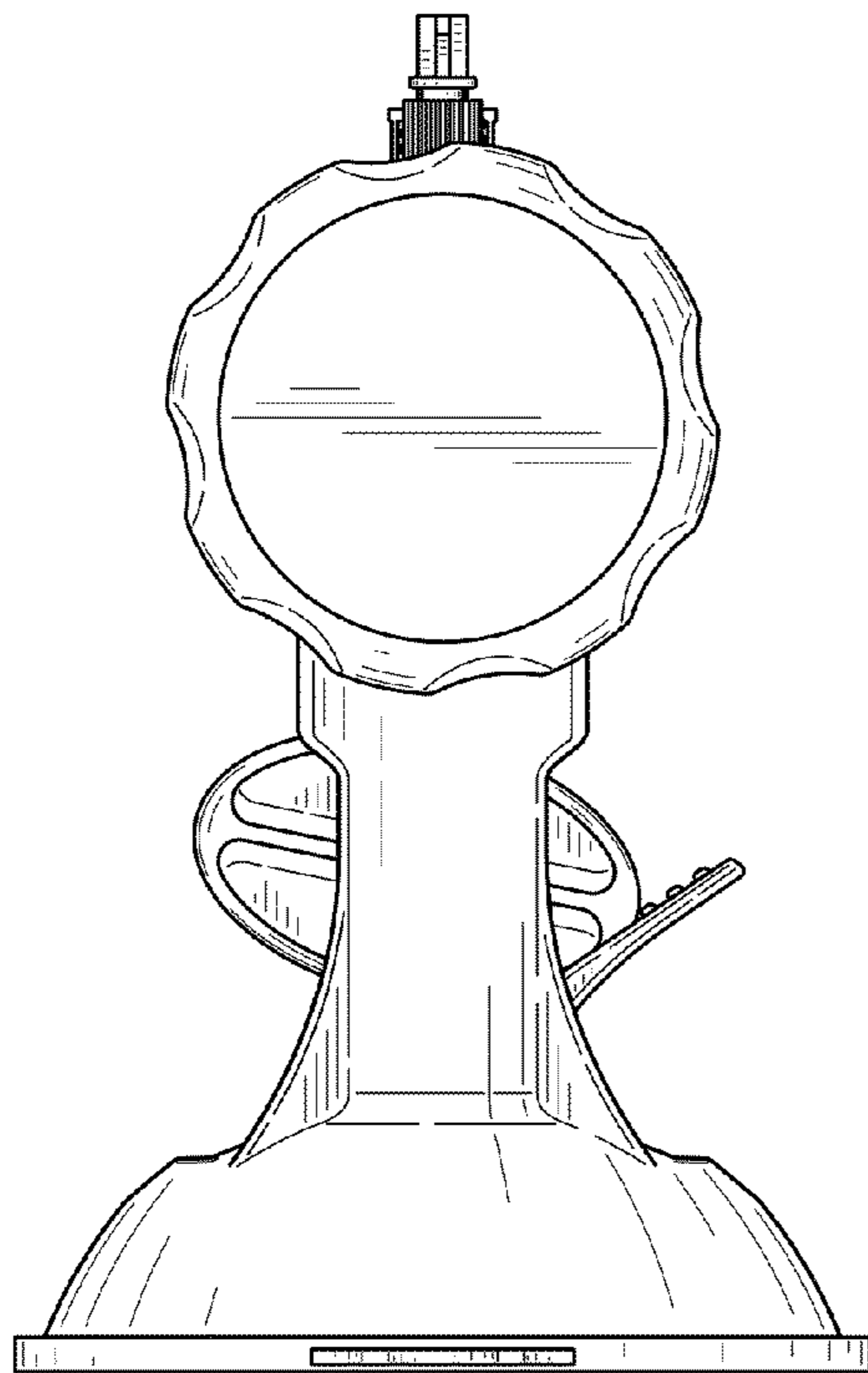


FIG. 5

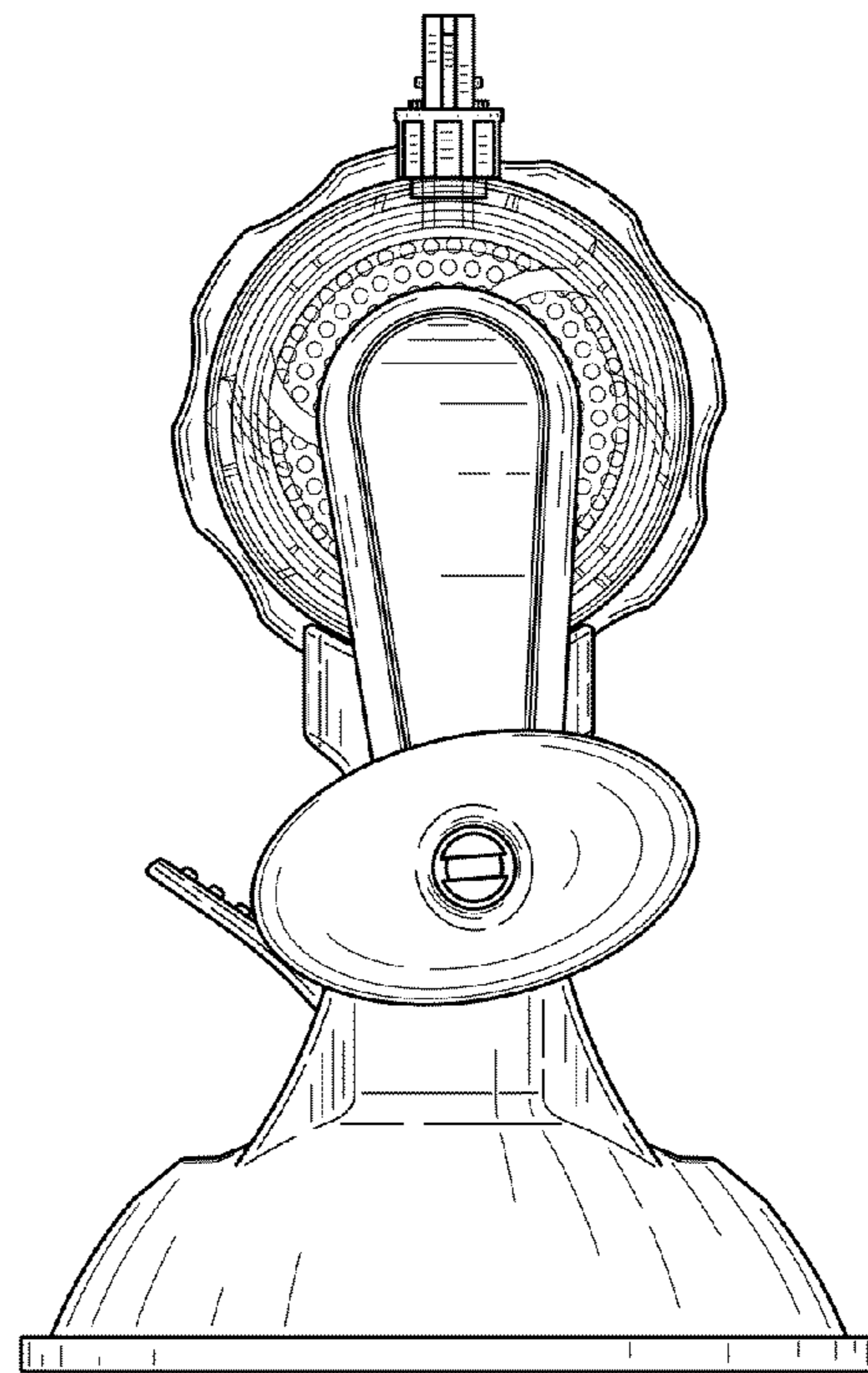


FIG. 6

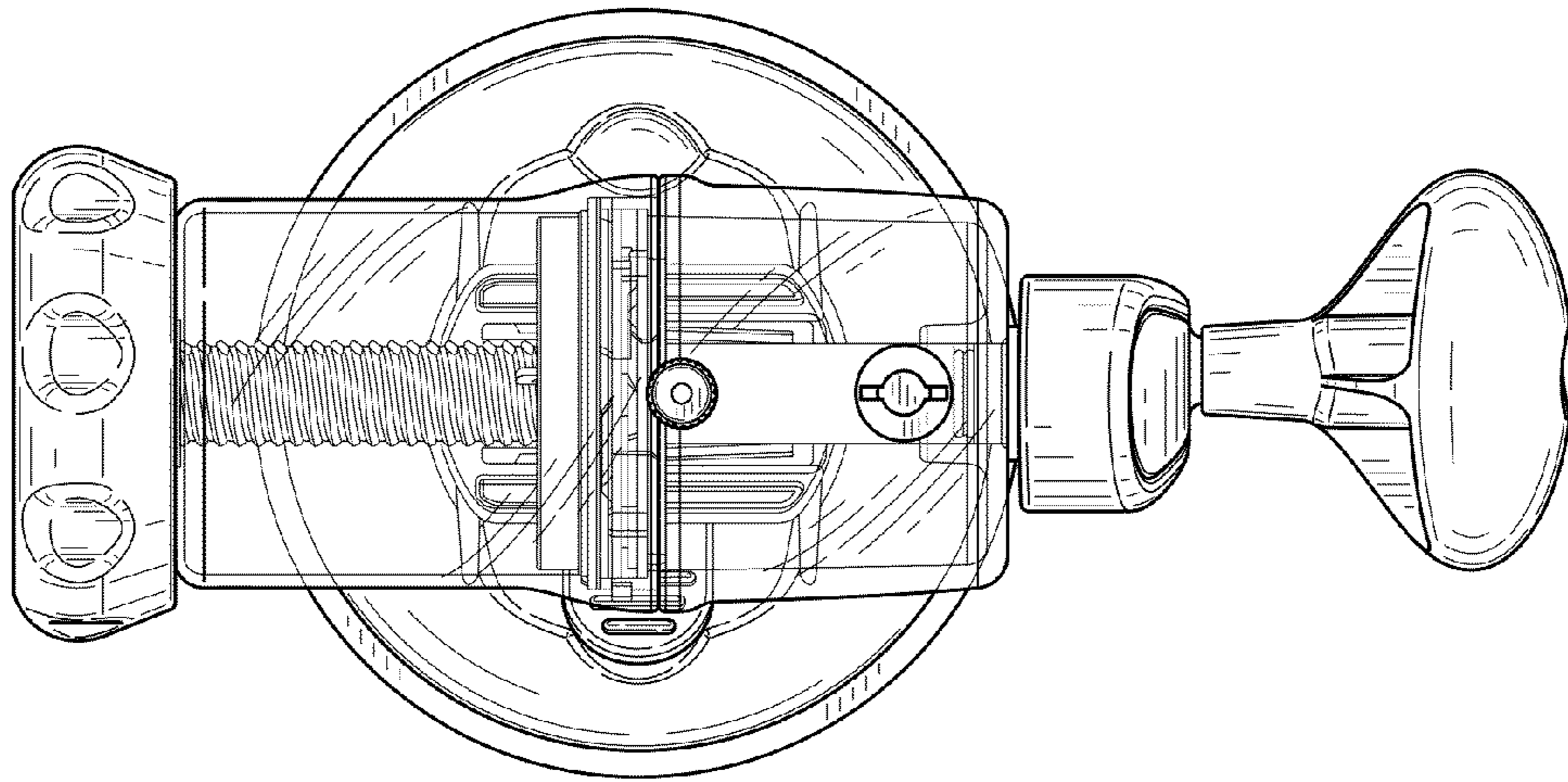


FIG. 7

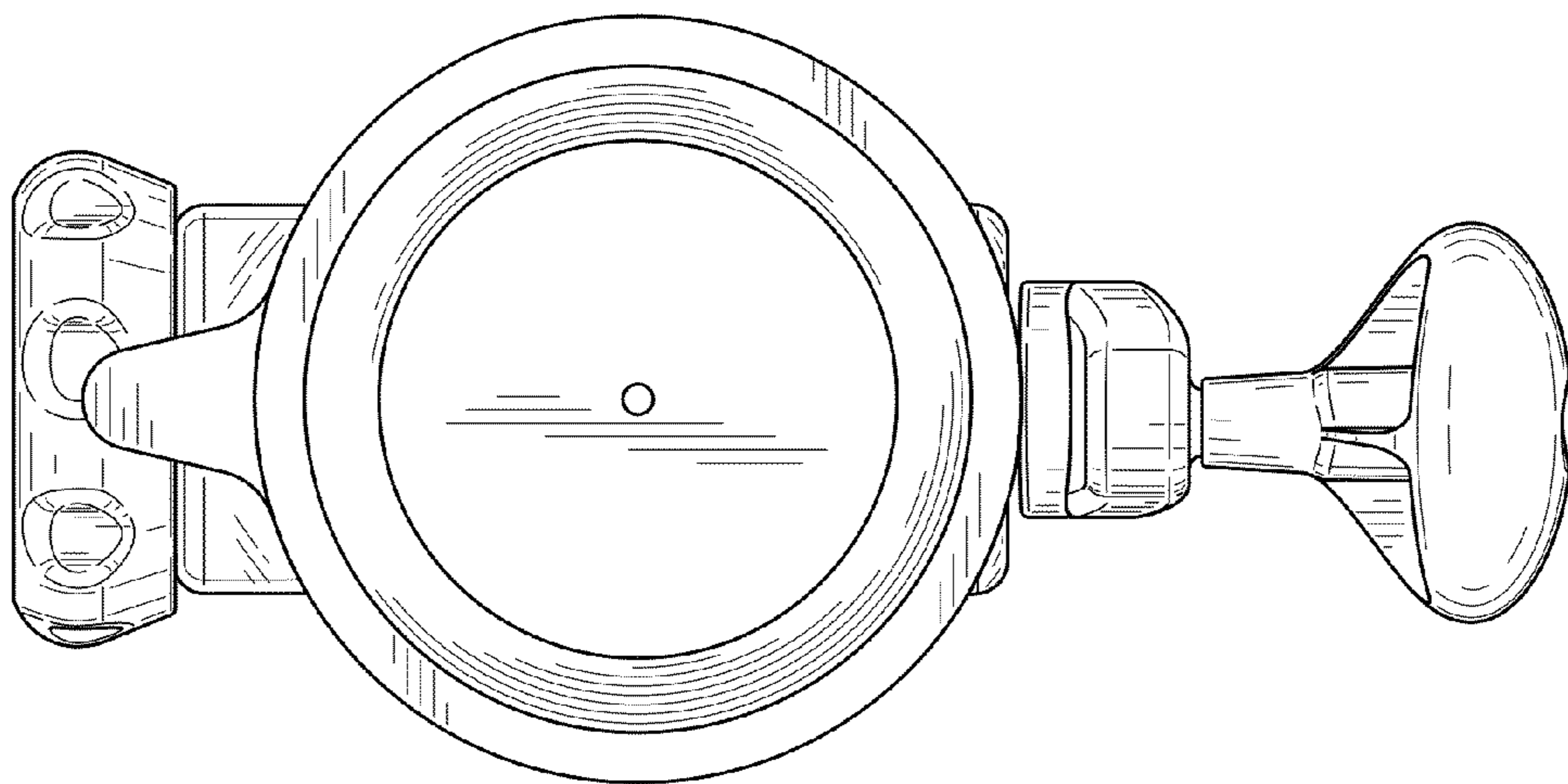


FIG. 8

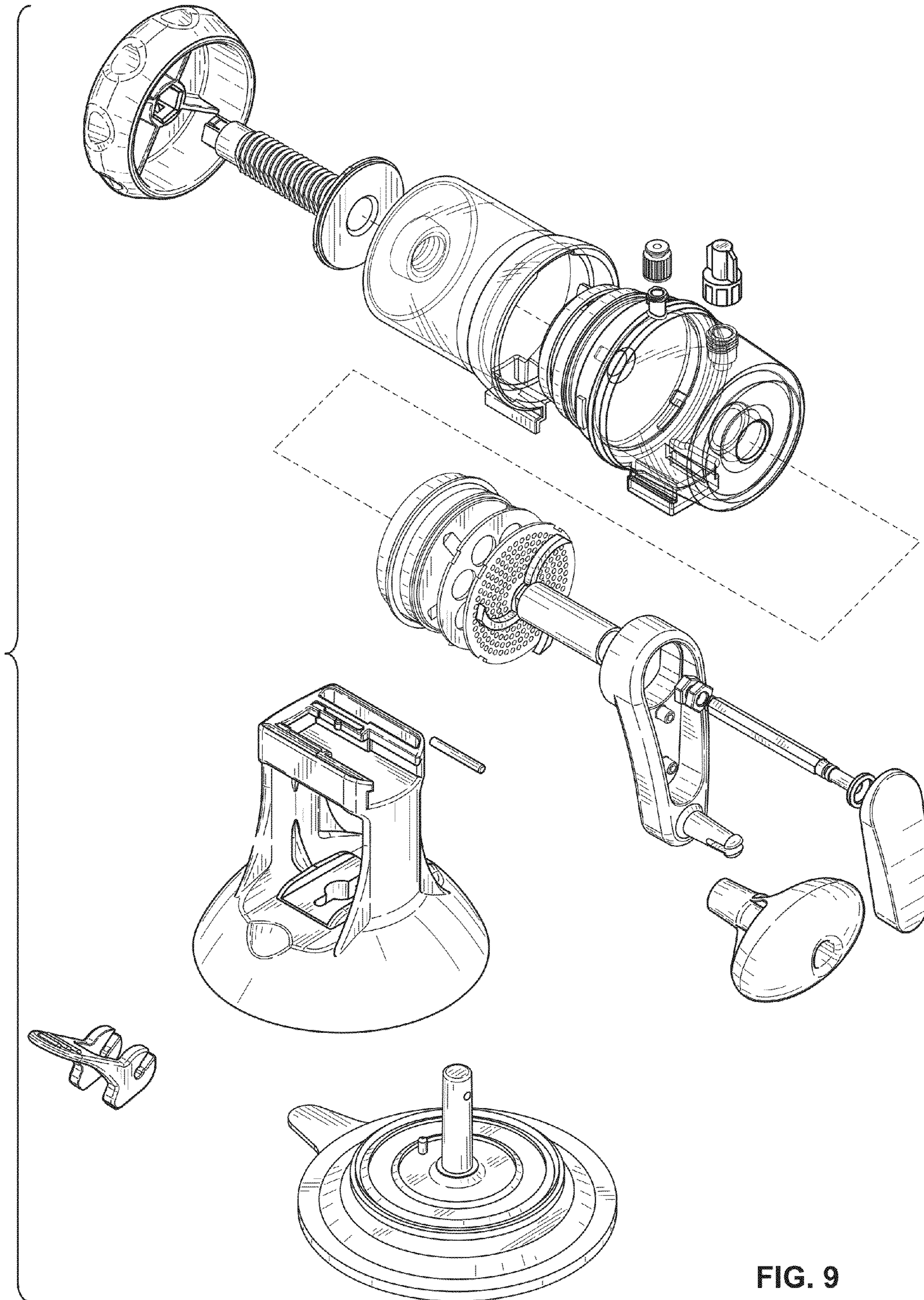


FIG. 9



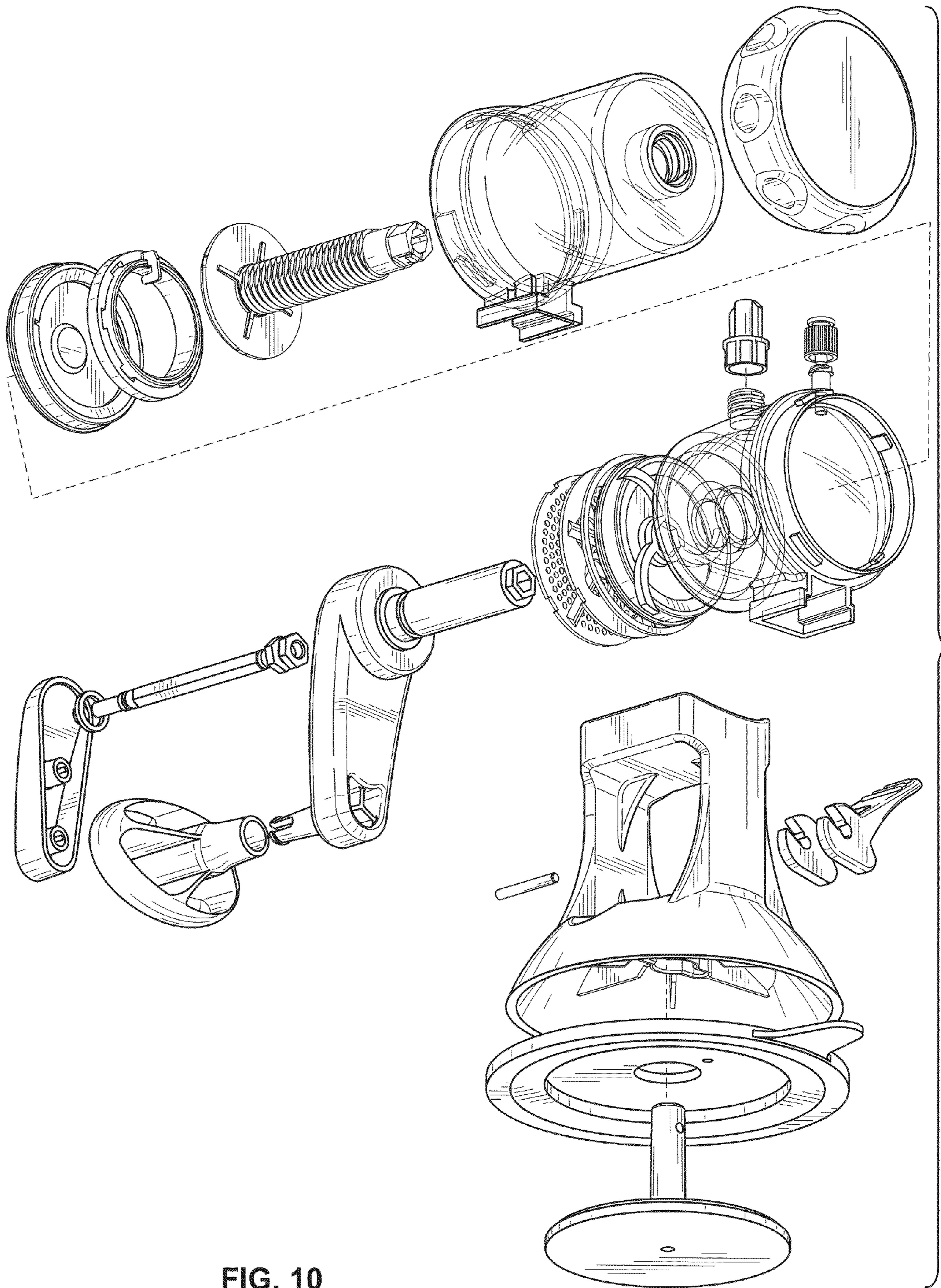


FIG. 10