



US00D716600S

(12) **United States Design Patent**
Dutruel

(10) **Patent No.:** **US D716,600 S**
(45) **Date of Patent:** **** Nov. 4, 2014**

(54) **ELECTRIC FRYER**

(71) Applicant: **SEB**, Selongey (FR)
(72) Inventor: **Laurent Dutruel**, Dijon (FR)
(73) Assignee: **SEB**, Selongey (FR)
(**) Term: **14 Years**

(21) Appl. No.: **29/472,516**

(22) Filed: **Nov. 13, 2013**

(30) **Foreign Application Priority Data**

May 13, 2013 (EM) 001370977-0001
(51) **LOC (10) Cl.** **07-02**
(52) **U.S. Cl.**
USPC **D7/354**

(58) **Field of Classification Search**

CPC A23L 1/01; A23L 1/0107; A23L 1/0114;
A47J 27/00; A47J 27/08; A47J 27/09; A47J
27/092; A47J 36/025; A47J 36/06; A47J
36/08; A47J 36/10; A47J 36/12; A47J 36/165;
A47J 36/18; A47J 36/20; A47J 36/22; A47J
37/00; A47J 37/12; A47J 37/1204; A47J
37/1209; A47J 37/1214; A47J 37/1219;
A47J 37/1266; A47J 37/1285; A47J 37/129;
A47J 37/1295; G07F 17/0064; G07F 17/0078;
G07F 17/0085; H05B 6/02; H05B 6/06;
H05B 6/12
USPC D7/323, 339, 350.1, 354-361;
99/324-326, 330-339, 348, 359, 403,
99/410, 411, 413, 467, 468, 644; 126/1 R,
126/21 A, 21 R, 384.1, 389.1, 390.1;
219/385-386, 438, 440-441, 447.1,
219/620-622; 220/573.1-573.5, 912;
426/438

See application file for complete search history.

(56) **References Cited**

U.S. PATENT DOCUMENTS

D360,804 S * 8/1995 Hamada et al. D7/354
D397,579 S * 9/1998 Wu Chang D7/350.1
D436,795 S * 1/2001 Martres et al. D7/354
D463,711 S * 10/2002 Josancy D7/354
D464,526 S * 10/2002 Brown D7/354

(Continued)

FOREIGN PATENT DOCUMENTS

CN 200730351148.0 11/2007
EM 000826599-0001 11/2007

(Continued)

Primary Examiner — Ricky Pham

(74) *Attorney, Agent, or Firm* — Loeb & Loeb LLP

(57) **CLAIM**

The ornamental design for an electric fryer, as shown and described.

DESCRIPTION

FIG. 1 is a perspective view of an embodiment of an electric fryer showing my new design.

FIG. 2 is a rear elevational view of the electric fryer of FIG. 1.

FIG. 3 is a front elevational view of the electric fryer of FIG. 1.

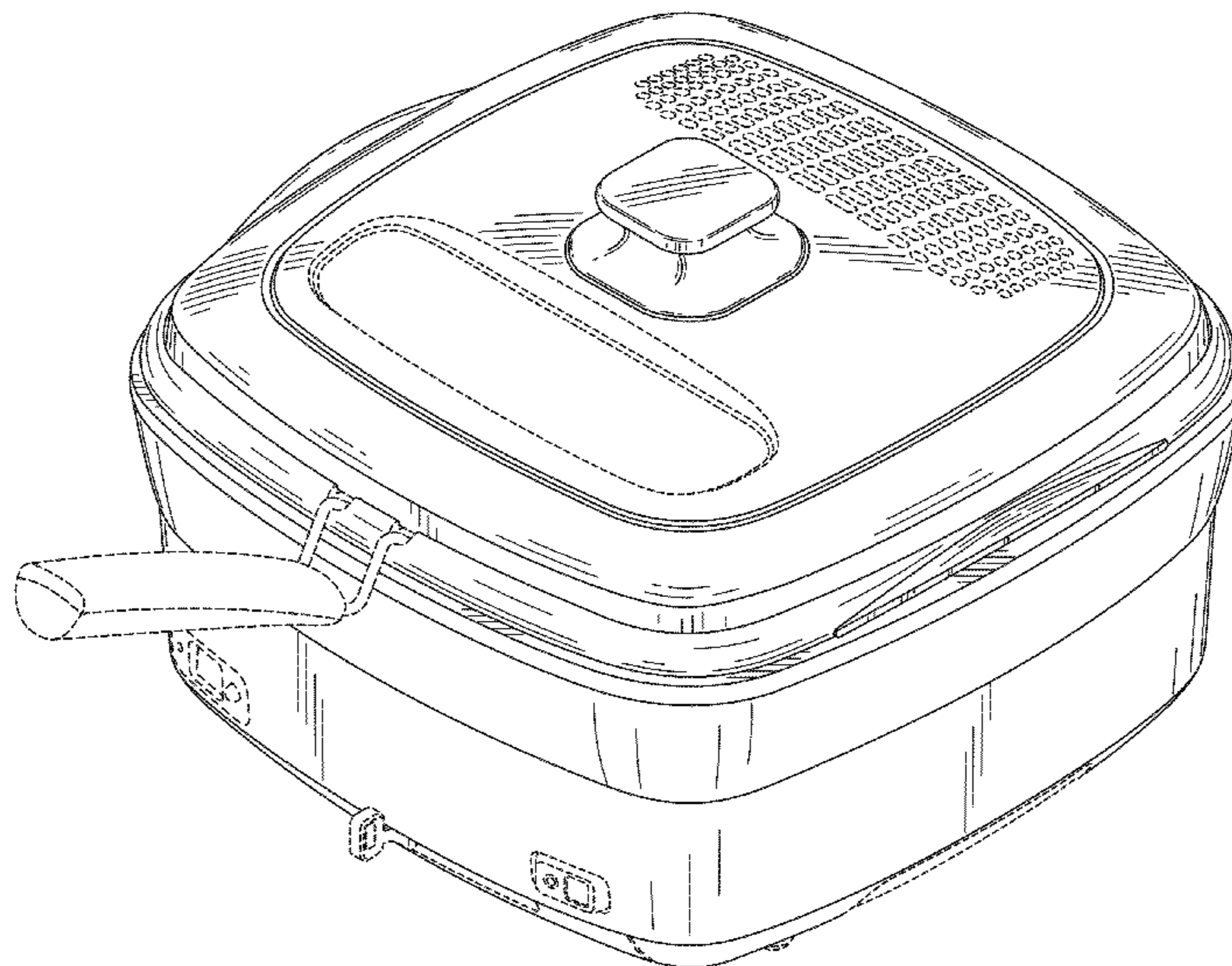
FIG. 4 is a left side elevational view of the electric fryer of FIG. 1.

FIG. 5 is a right side elevational view of the electric fryer of FIG. 1; and,

FIG. 6 is a top plan view of the electric fryer of FIG. 1.

A view of the bottom has been omitted since the bottom is flat and devoid of surface ornamentation. The broken lines appearing in the figures are for the purpose of illustrating the environmental structure of the article of the claimed design and form no part of the claimed design.

1 Claim, 6 Drawing Sheets



(56)

References Cited

FOREIGN PATENT DOCUMENTS

U.S. PATENT DOCUMENTS

D474,937 S * 5/2003 Josancy D7/354
D528,853 S * 9/2006 Lloyd D7/354
D551,897 S * 10/2007 De Pra' D7/339
D588,860 S * 3/2009 Tienor et al. D7/354
D592,008 S * 5/2009 Reiner D7/354
D611,757 S * 3/2010 Reiner D7/354
D676,271 S * 2/2013 Reiner D7/354
D677,113 S * 3/2013 Reiner D7/354

EM 001370977-0001 5/2013
EM 001370977-0002 5/2013
EM 001370977-0003 5/2013
EM 001370977-0004 5/2013
FR 980409 1/1998
FR 073013 6/2013
TR 4912 7/1998
WO DM/043615 4/1998

* cited by examiner

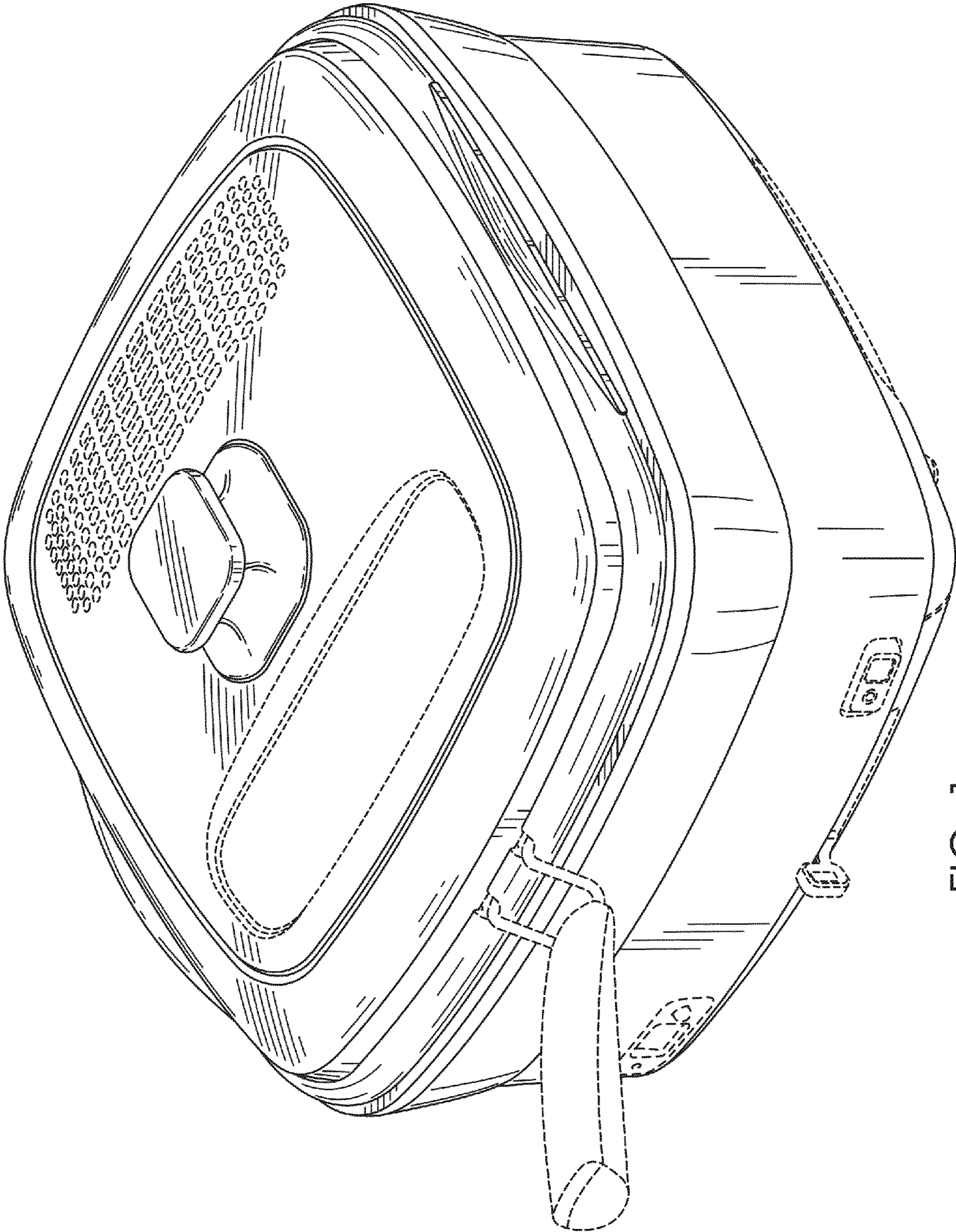


FIG. 1

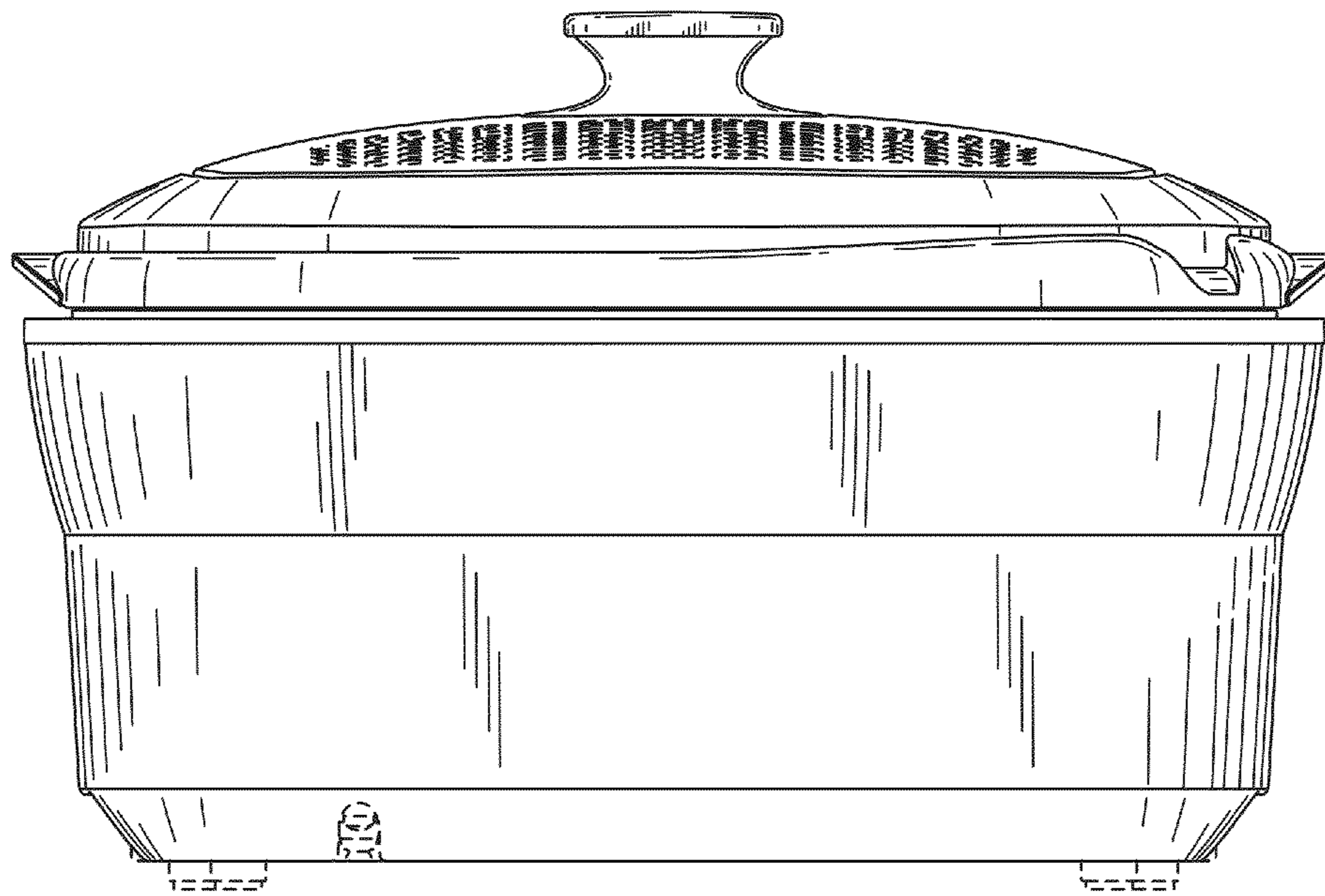


FIG. 2

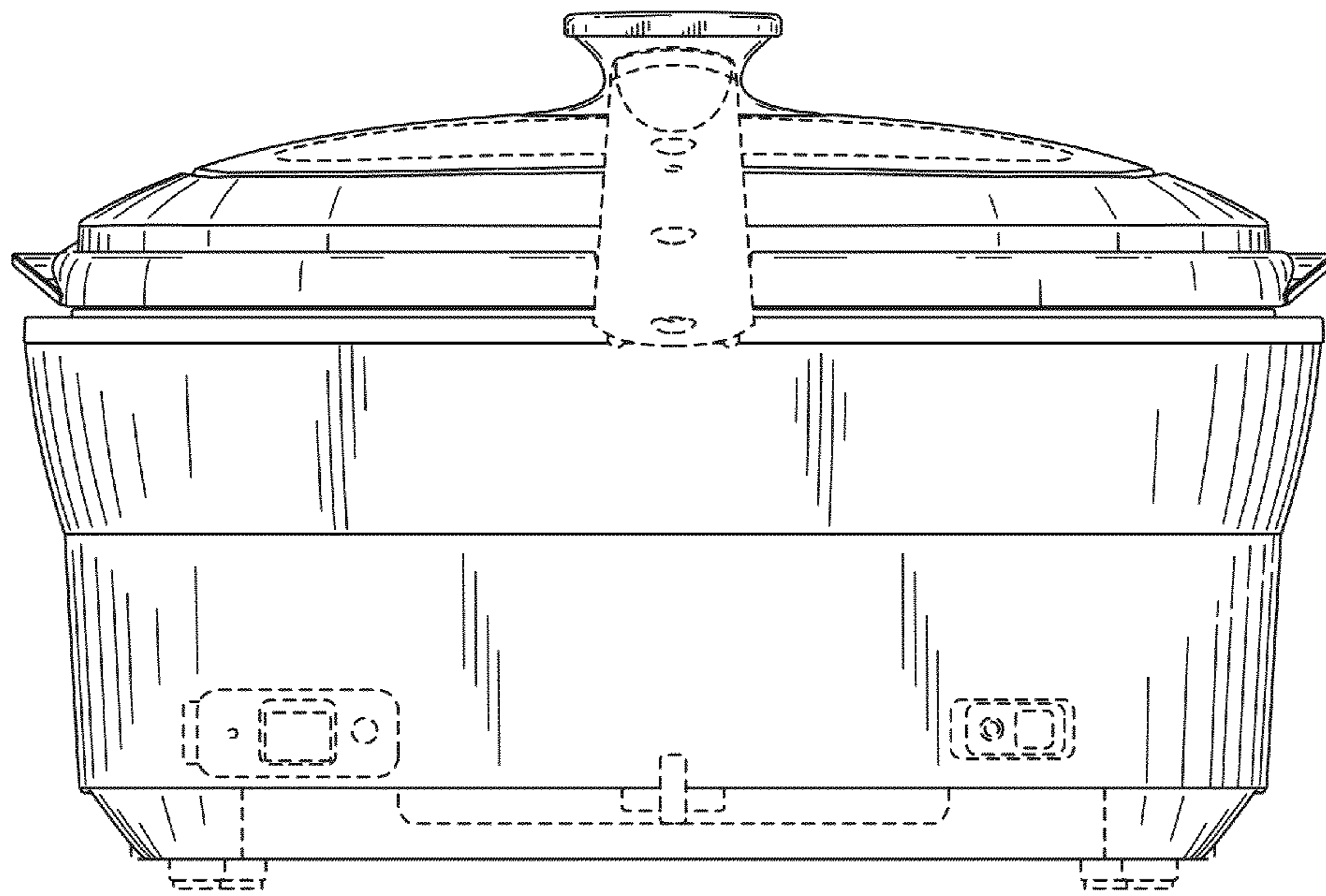


FIG. 3

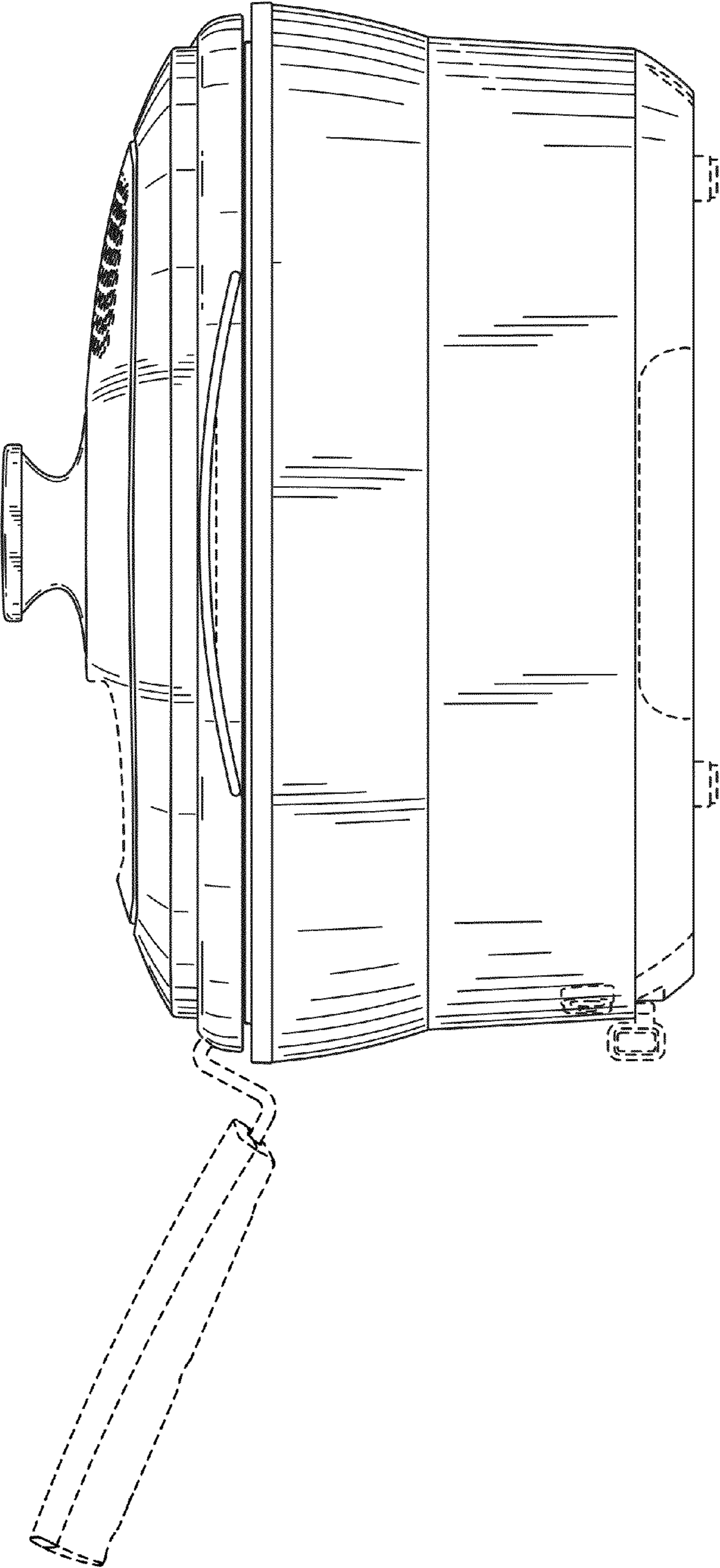


FIG. 4

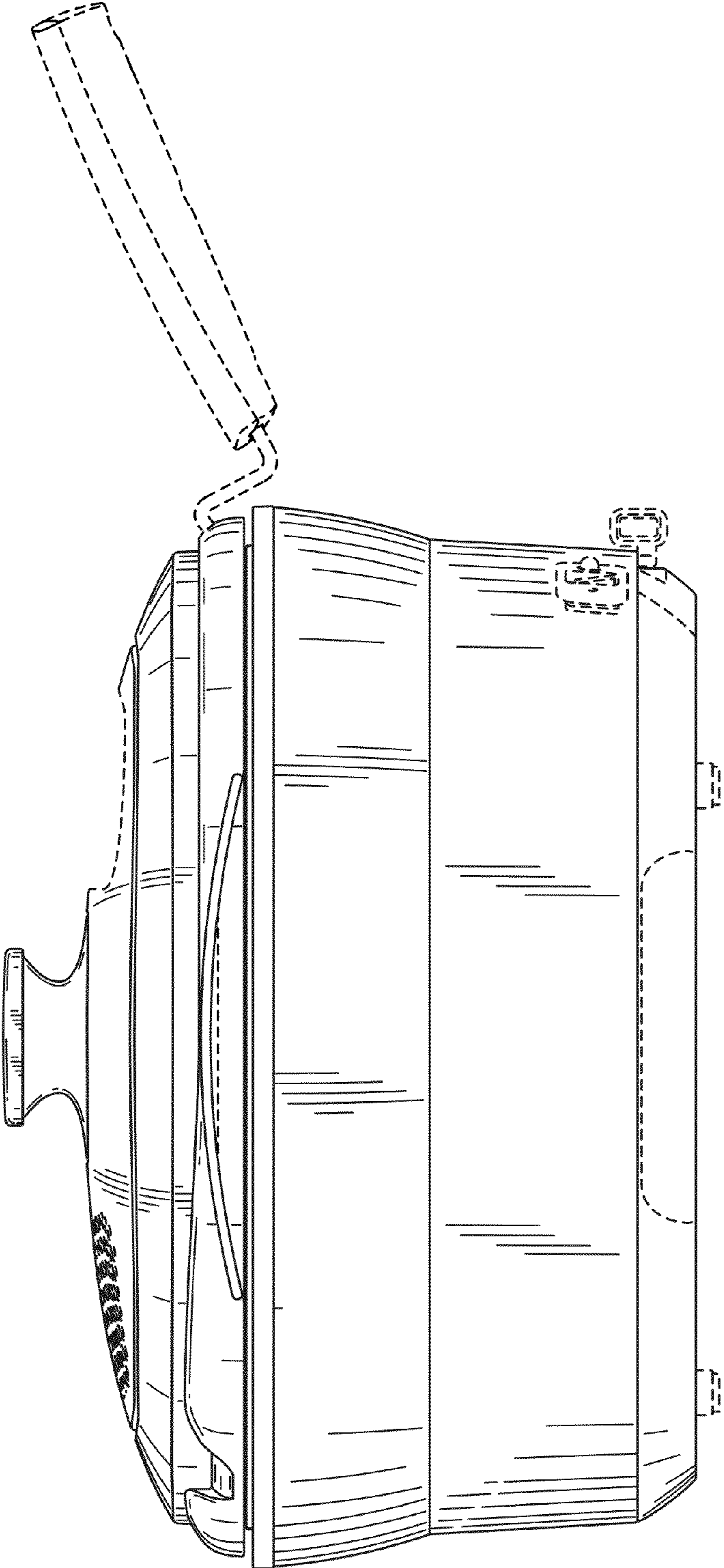


FIG. 5

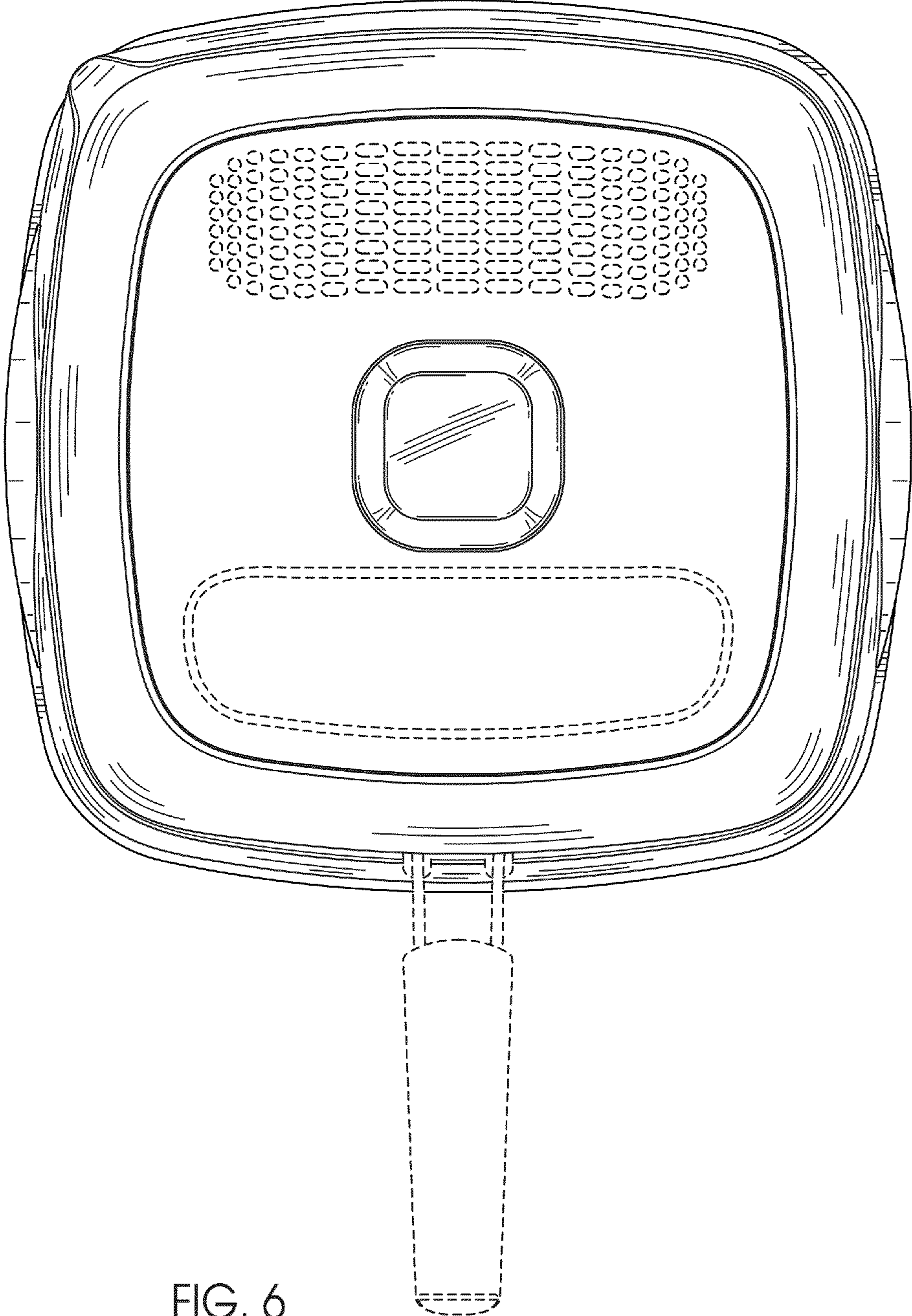


FIG. 6