



US00D716599S

(12) **United States Design Patent**
Kam et al.

(10) **Patent No.:** **US D716,599 S**
(45) **Date of Patent:** **** Nov. 4, 2014**

(54) **PATIO GRILL**

(71) Applicant: **Rankam (China) Manufacturing Co. Ltd.**, Hong Kong (CN)

(72) Inventors: **Andy Ning Fan Kam**, Hong Kong (CN);
Ken Che Kit Yam, Hong Kong (CN)

(73) Assignee: **Rankam (China) Manufacturing Co. Ltd.**, Hong Kong (CN)

(**) Term: **14 Years**

(21) Appl. No.: **29/460,087**

(22) Filed: **Jul. 8, 2013**

(51) **LOC (10) Cl.** **07-02**

(52) **U.S. Cl.**
USPC **D7/335**

(58) **Field of Classification Search**
CPC A21B 1/00; A21B 1/52; A47J 33/00;
A47J 36/26; A47J 36/36; A47J 37/04; A47J
37/0682; A47J 2037/0777; A47J
37/07-37/079; F24B 1/18; F24B 1/20; F24B
1/22; F24B 1/24; F24B 1/26; F24B 1/182;
F24B 1/202; F24B 1/205; F24B 1/207;
F24C 1/16; F24C 3/008; F24C 3/027; F24C
3/085; F24C 3/087; F24C 3/14; F24C 5/20;
F24C 11/00; F24C 15/10
USPC D7/332-337, 402-408
See application file for complete search history.

(56) **References Cited**

U.S. PATENT DOCUMENTS

6,755,187	B2 *	6/2004	Harrod et al.	126/25 R
6,813,995	B1 *	11/2004	Sikes	99/449
D618,484	S *	6/2010	Tzeng	D7/334
D618,951	S *	7/2010	Tzeng	D7/334
D638,655	S *	5/2011	Mohr	D7/335
D657,182	S *	4/2012	Chung	D7/334
D658,927	S *	5/2012	Mohr	D7/335
D658,928	S *	5/2012	Mohr	D7/335
D694,568	S *	12/2013	Alden et al.	D7/334
2011/0168155	A1 *	7/2011	Gallo	126/25 AA

* cited by examiner

Primary Examiner — Ruth McInroy

(74) *Attorney, Agent, or Firm* — Leydig, Voit & Mayer, Ltd

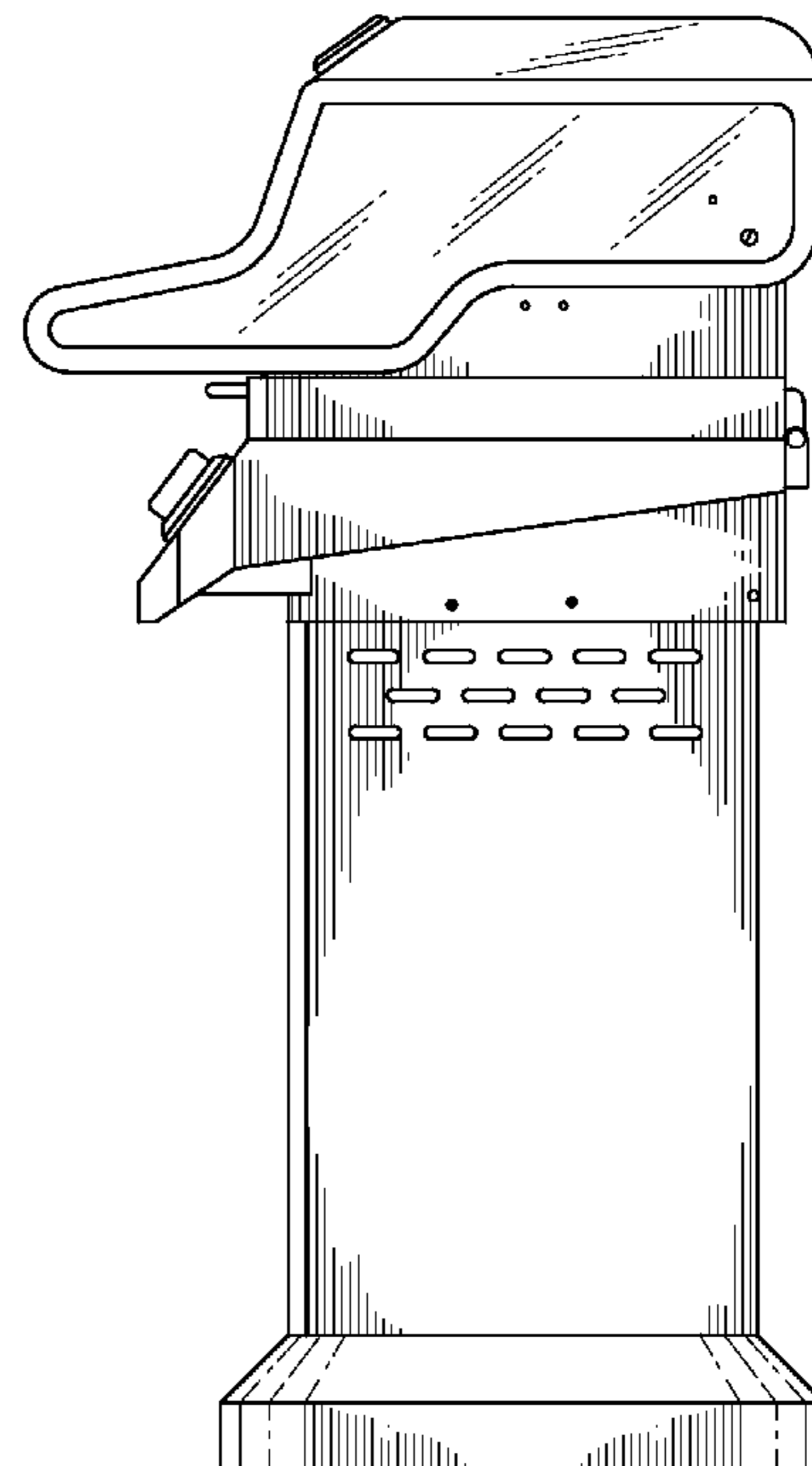
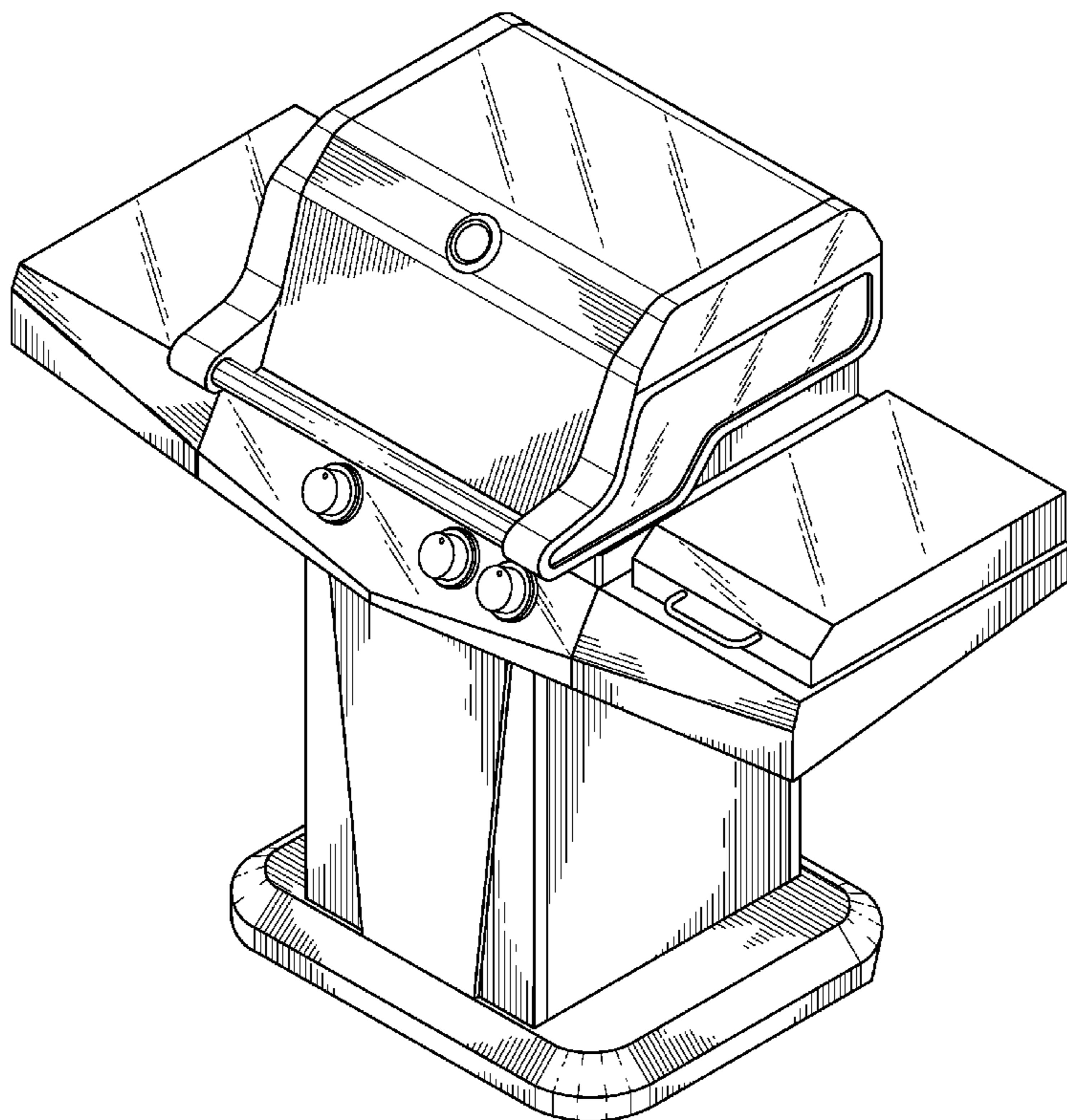
(57) **CLAIM**

The ornamental design for a patio grill, as shown and described.

DESCRIPTION

FIG. 1 is a front perspective view of a patio grill showing our new design;
FIG. 2 is a top plan view thereof;
FIG. 3 is a front view thereof;
FIG. 4 is a rear view thereof;
FIG. 5 is a left side view thereof; and,
FIG. 6 is a right side view thereof.

1 Claim, 5 Drawing Sheets



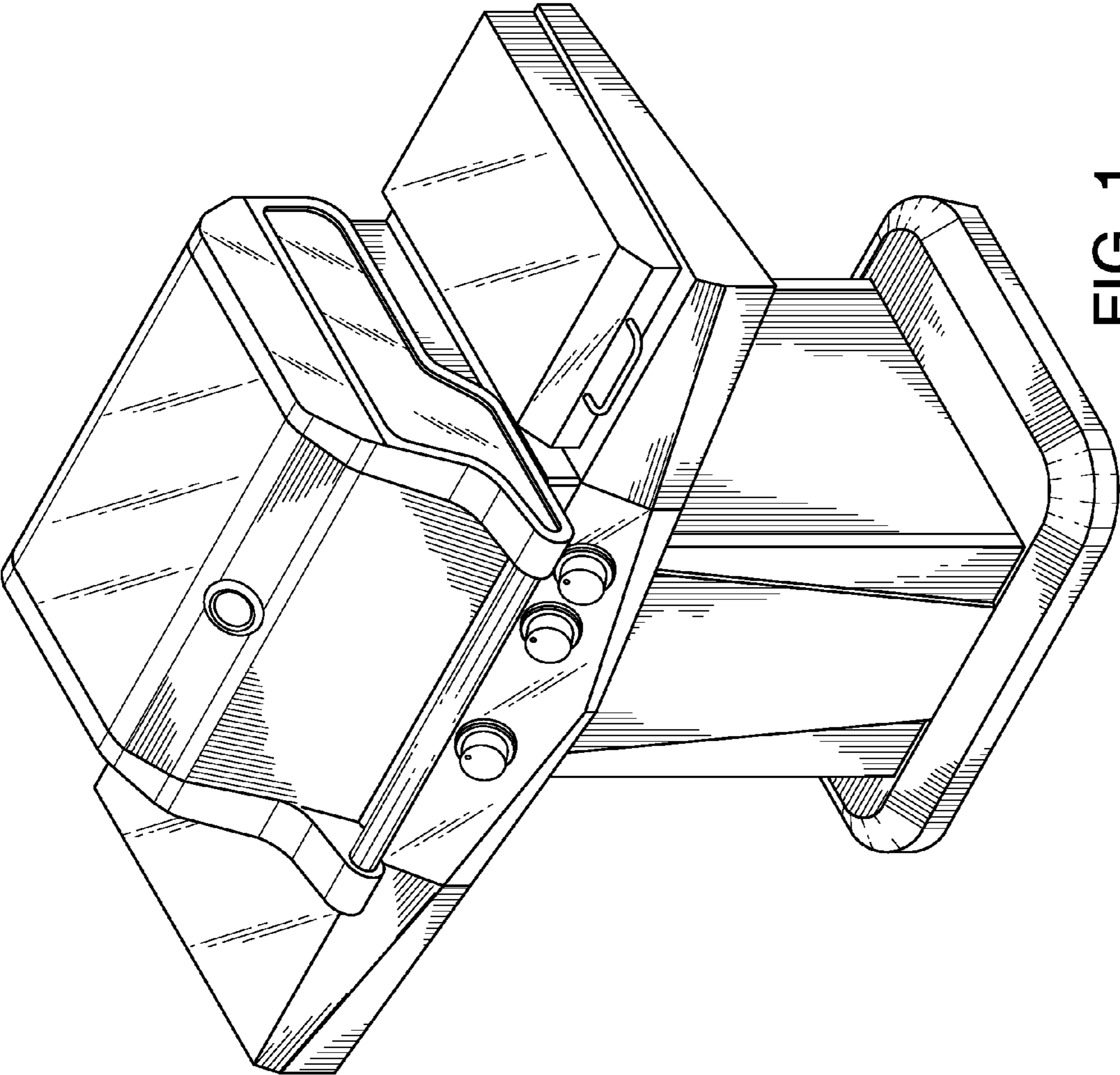


FIG. 1

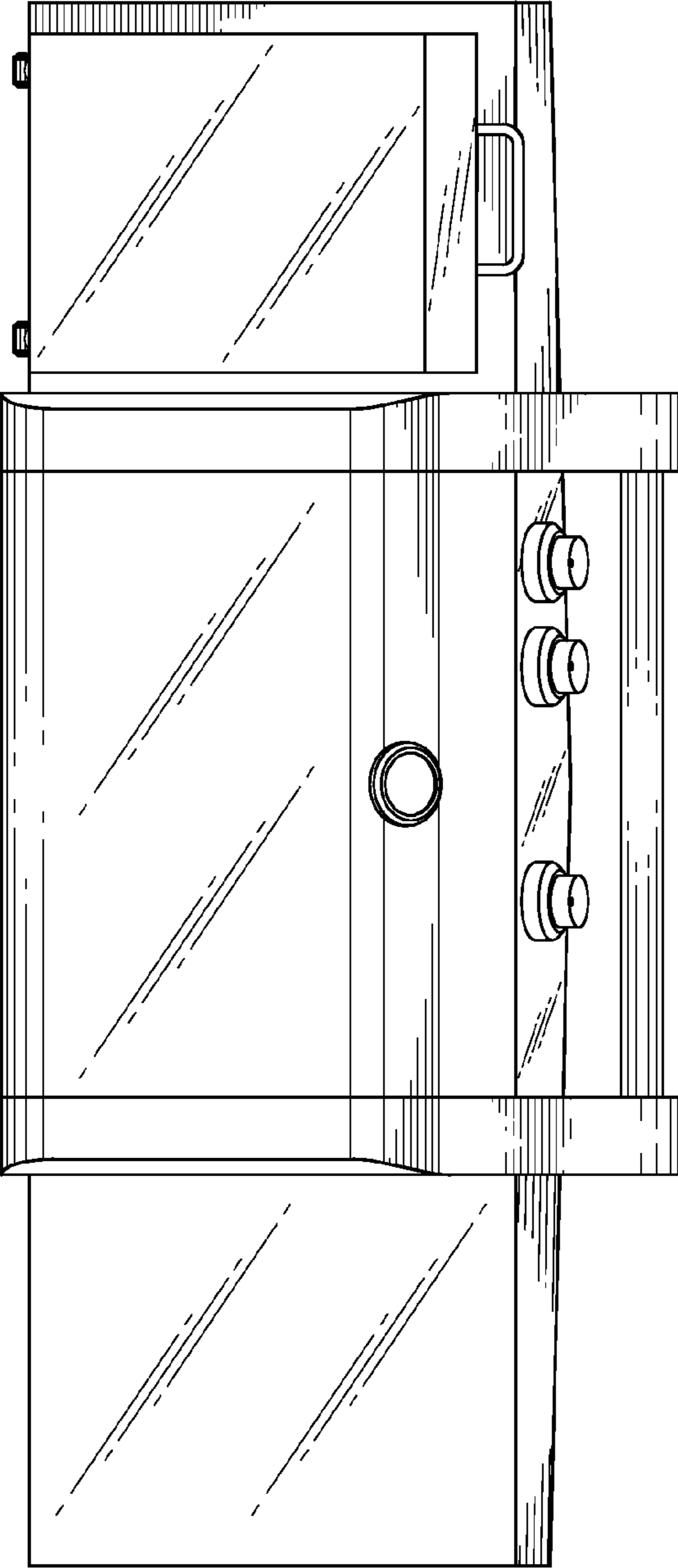


FIG. 2

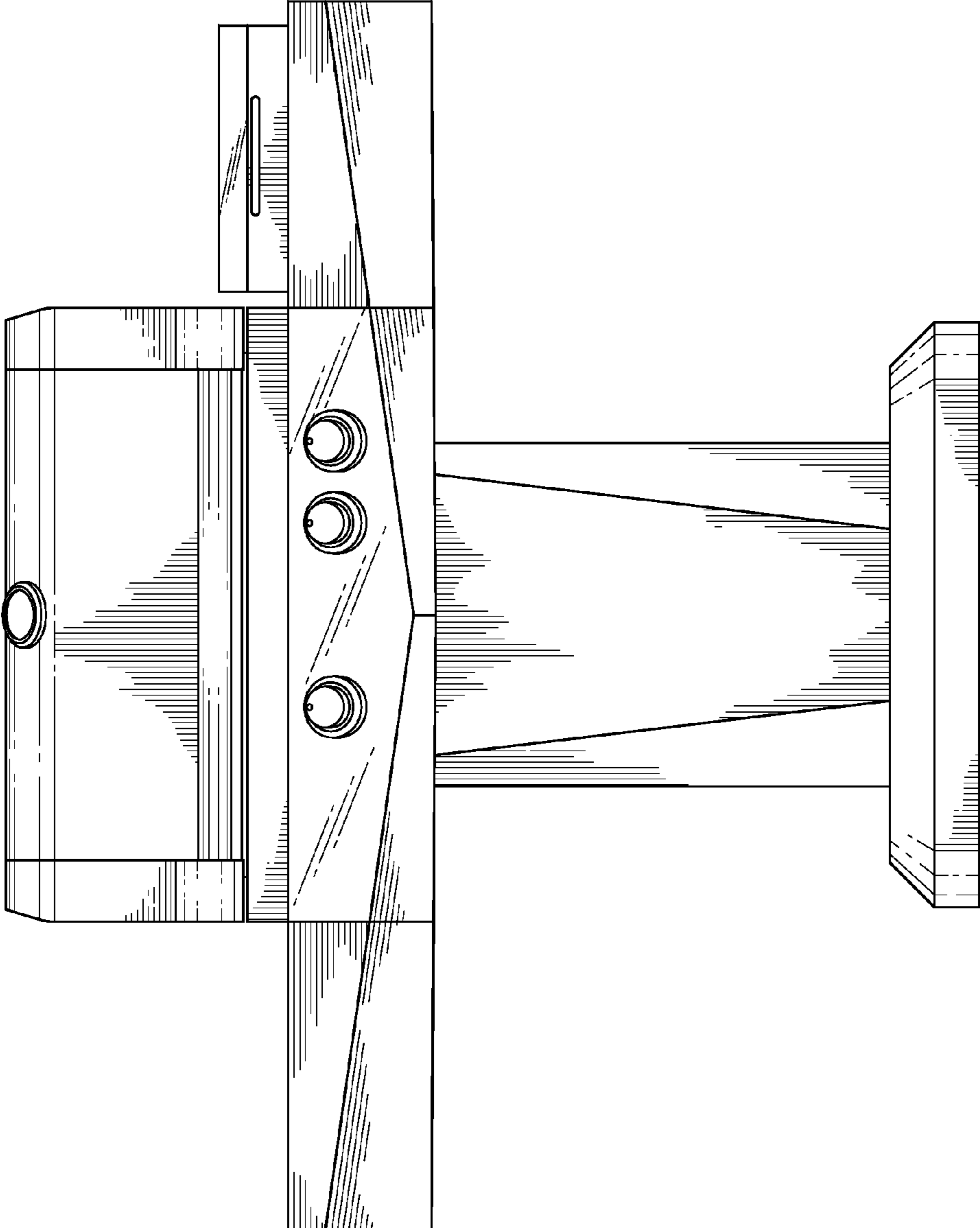


FIG. 3

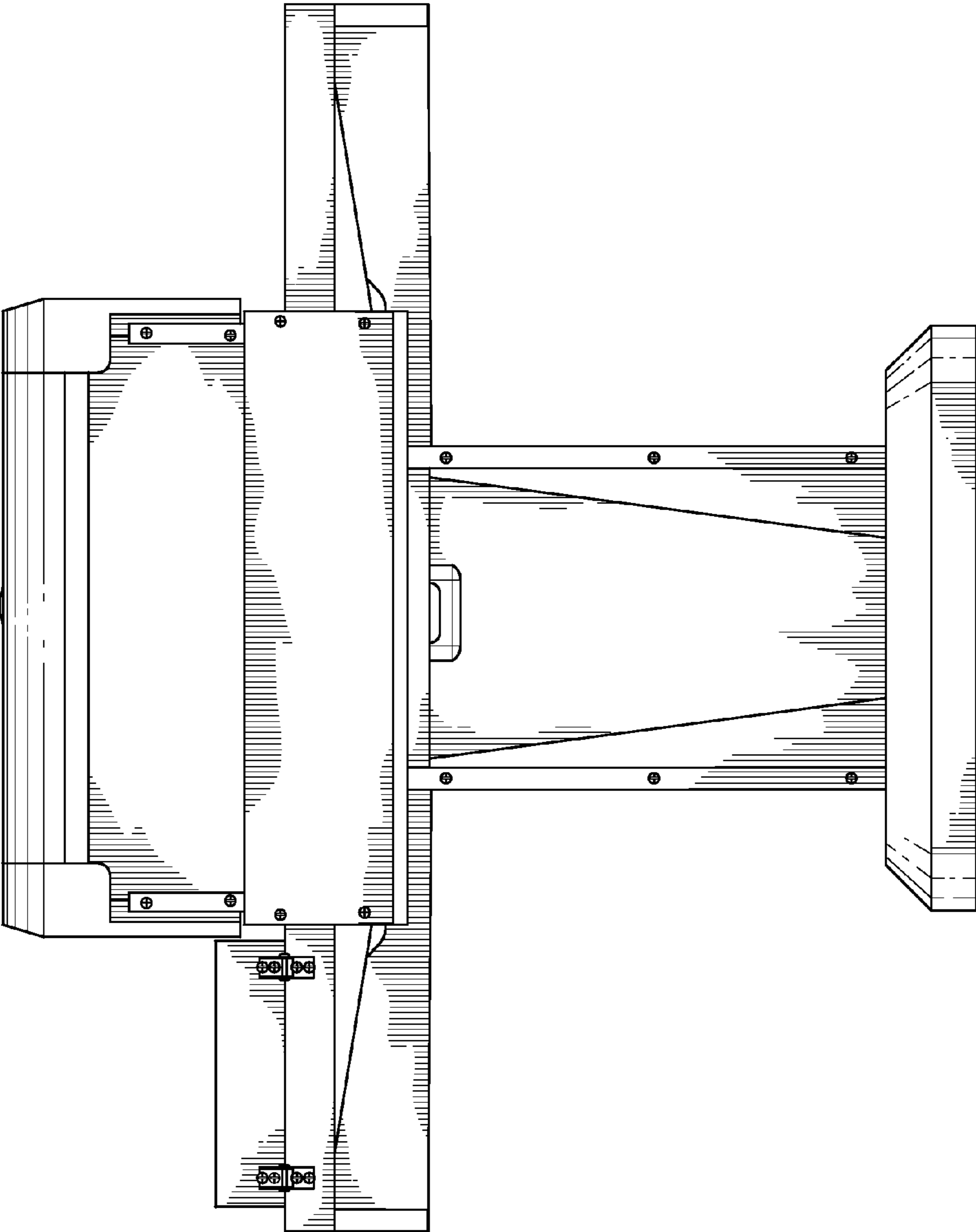


FIG. 4

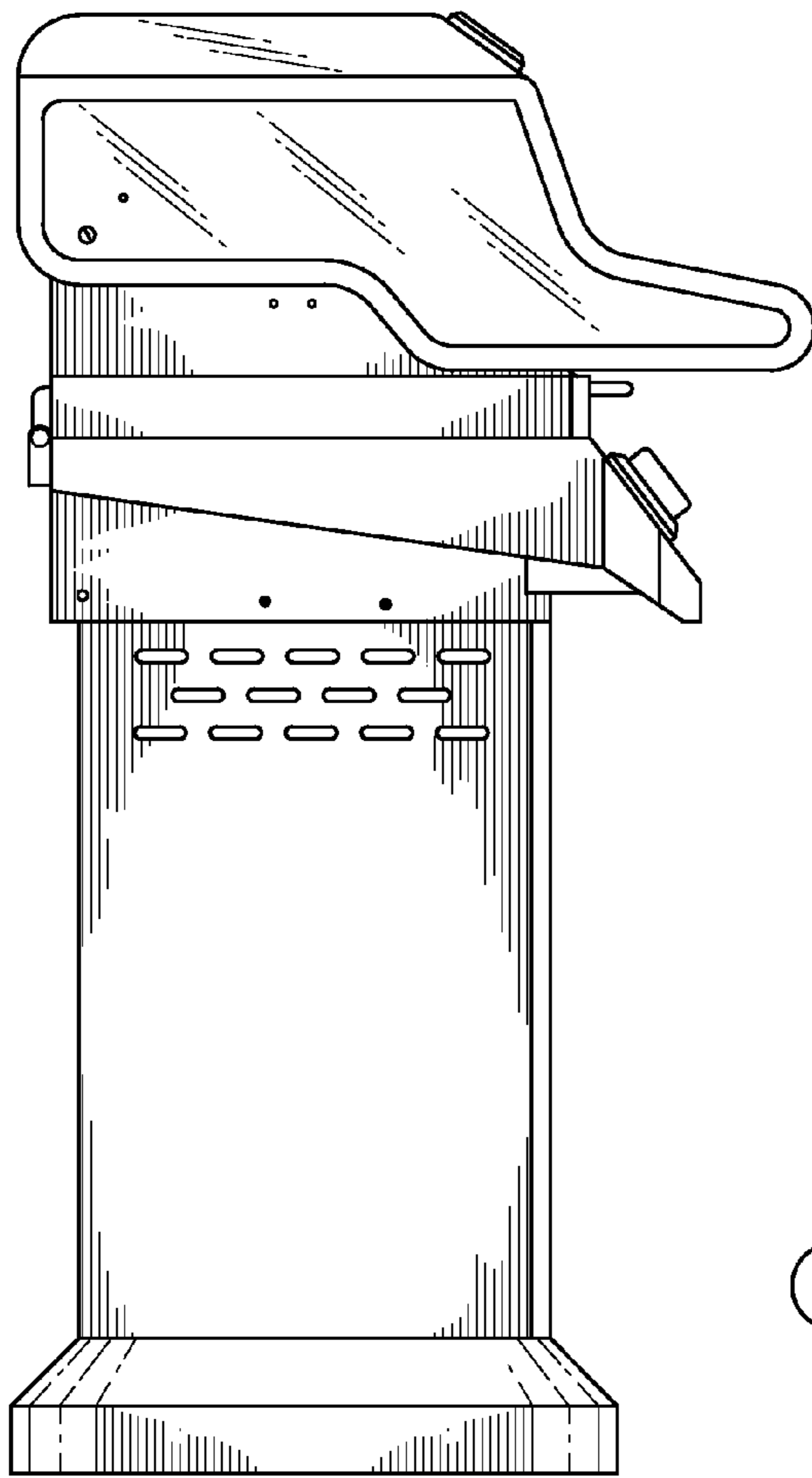


FIG. 5

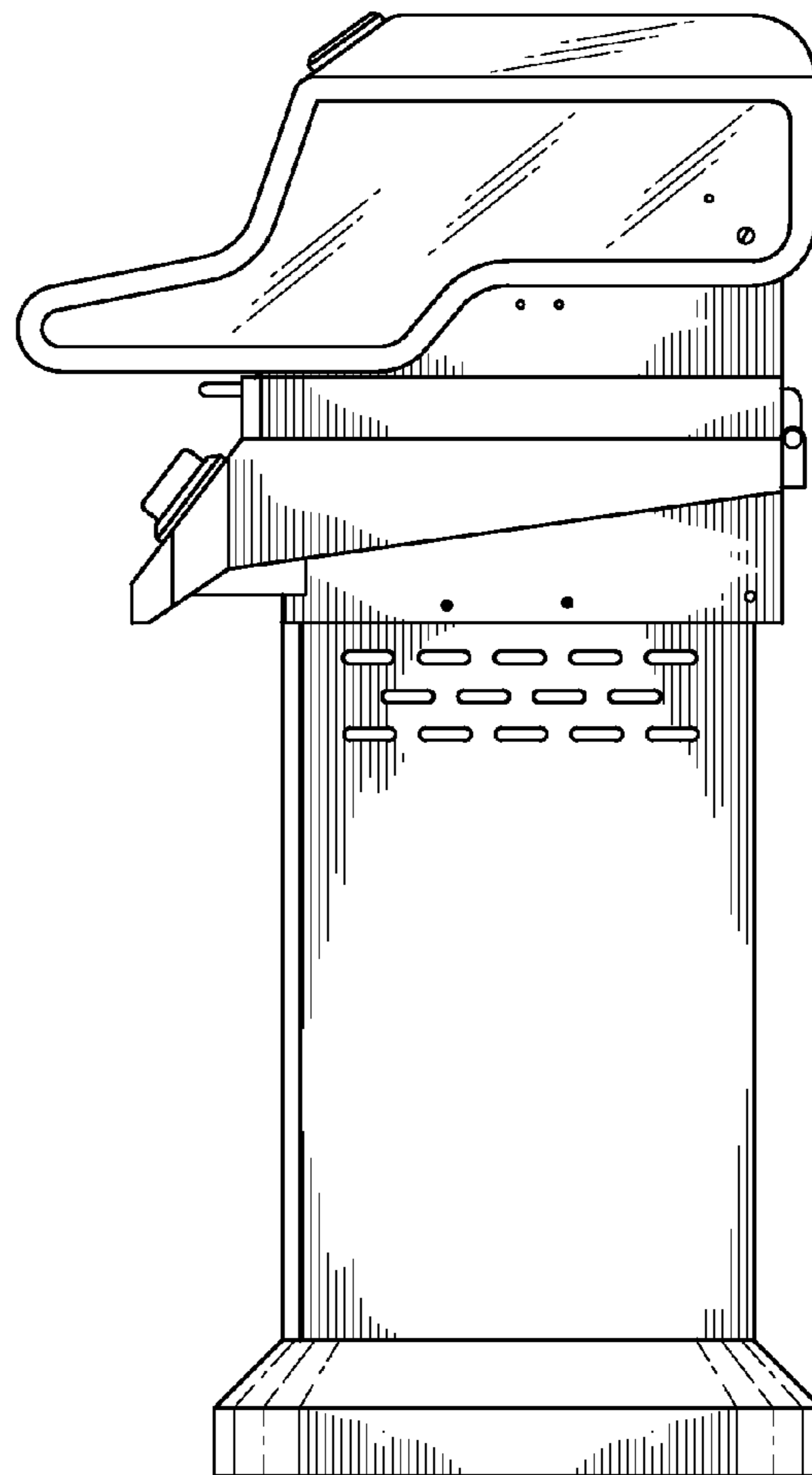


FIG. 6