



US00D716598S

(12) **United States Design Patent**
Petrucelli

(10) **Patent No.:** **US D716,598 S**

(45) **Date of Patent:** **** Nov. 4, 2014**

(54) **RECLINE CONTROL MECHANISM FOR A
BEAUTY SALON CHAIR**

(71) Applicant: **P.S. Pibbs, Inc.**, Flushing, NY (US)

(72) Inventor: **Giulio Petrucelli**, Flushing, NY (US)

(73) Assignee: **P.S. Pibbs, Inc.**, Flushing, NY (US)

(**) Term: **14 Years**

(21) Appl. No.: **29/452,472**

(22) Filed: **Apr. 17, 2013**

(51) **LOC (10) Cl.** **06-01**

(52) **U.S. Cl.**
USPC **D6/716.7**

(58) **Field of Classification Search**

CPC A47C 1/03255; A47C 3/026; A47C 1/024;
A47C 3/18; A47C 7/002; A47C 7/004;
B60N 2/167

USPC D6/334-336, 360, 364-367, 374, 375,
D6/379, 380, 716, 716.1, 716.2, 716.3,
D6/716.4, 716.7; 297/300.1, 300.2, 300.8,
297/301.1, 301.2, 344.12, 344.21, 463.1

See application file for complete search history.

(56) **References Cited**

U.S. PATENT DOCUMENTS

D65,412 S * 8/1924 Koenigkramer D6/360
D292,459 S * 10/1987 Doerner D6/716.7
D479,928 S * 9/2003 Klaesener et al. D6/716.7
D530,932 S * 10/2006 Hieshetter D6/360
7,293,832 B2 * 11/2007 Huang A47C 1/024

* cited by examiner

Primary Examiner — Mimosa De

(74) *Attorney, Agent, or Firm* — Gerald E. Hespos; Michael J. Porco; Matthew T. Hespos

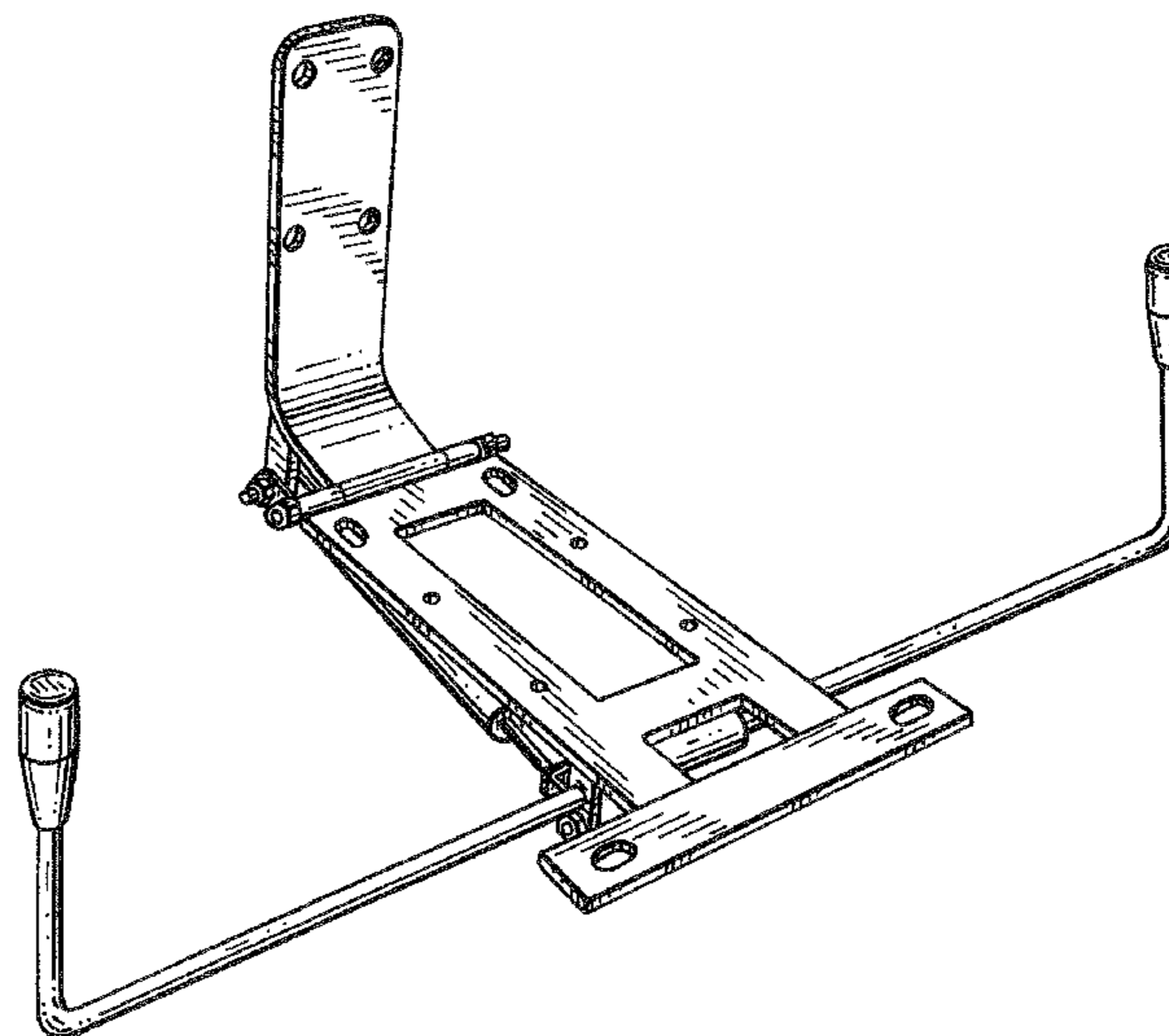
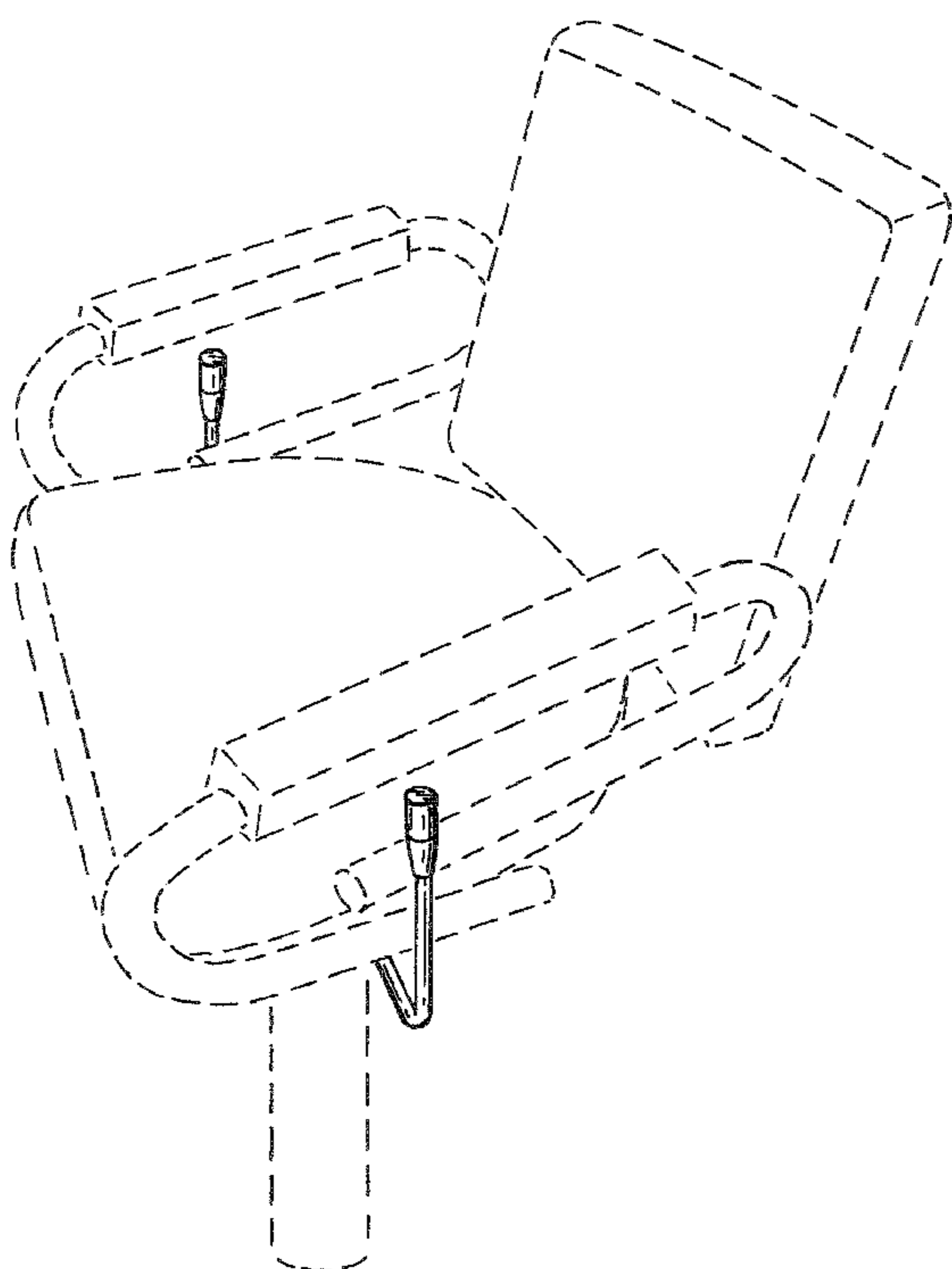
(57) **CLAIM**

The ornamental design for a recline control mechanism for a beauty salon chair, as shown and described.

DESCRIPTION

FIG. 1 is a perspective view of a beauty salon chair with a recline control mechanism in accordance with my design; FIG. 2 is a perspective view of the recline control mechanism for a beauty salon chair in accordance with my design. FIG. 3 is a top plan view of the recline control mechanism of FIG. 2; FIG. 4 is a front elevational view thereof; FIG. 5 is a right side elevational view thereof; FIG. 6 is a left side elevational view thereof; FIG. 7 is a rear elevational view thereof; and, FIG. 8 is a bottom plan view thereof. The broken lines showing the chair in FIG. 1 are for illustrative purposes only and form no part of the claimed design.

1 Claim, 8 Drawing Sheets



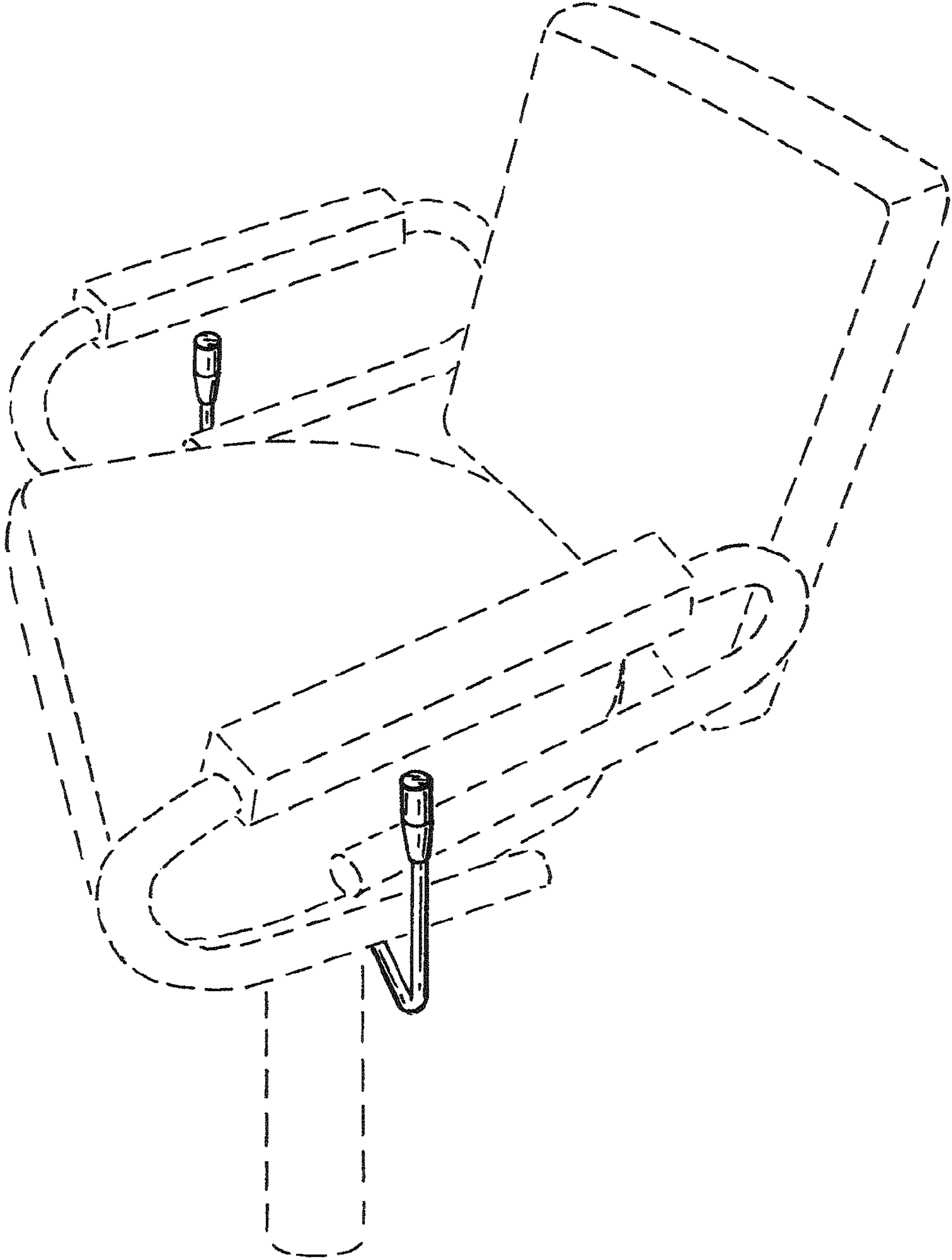


FIG. 1

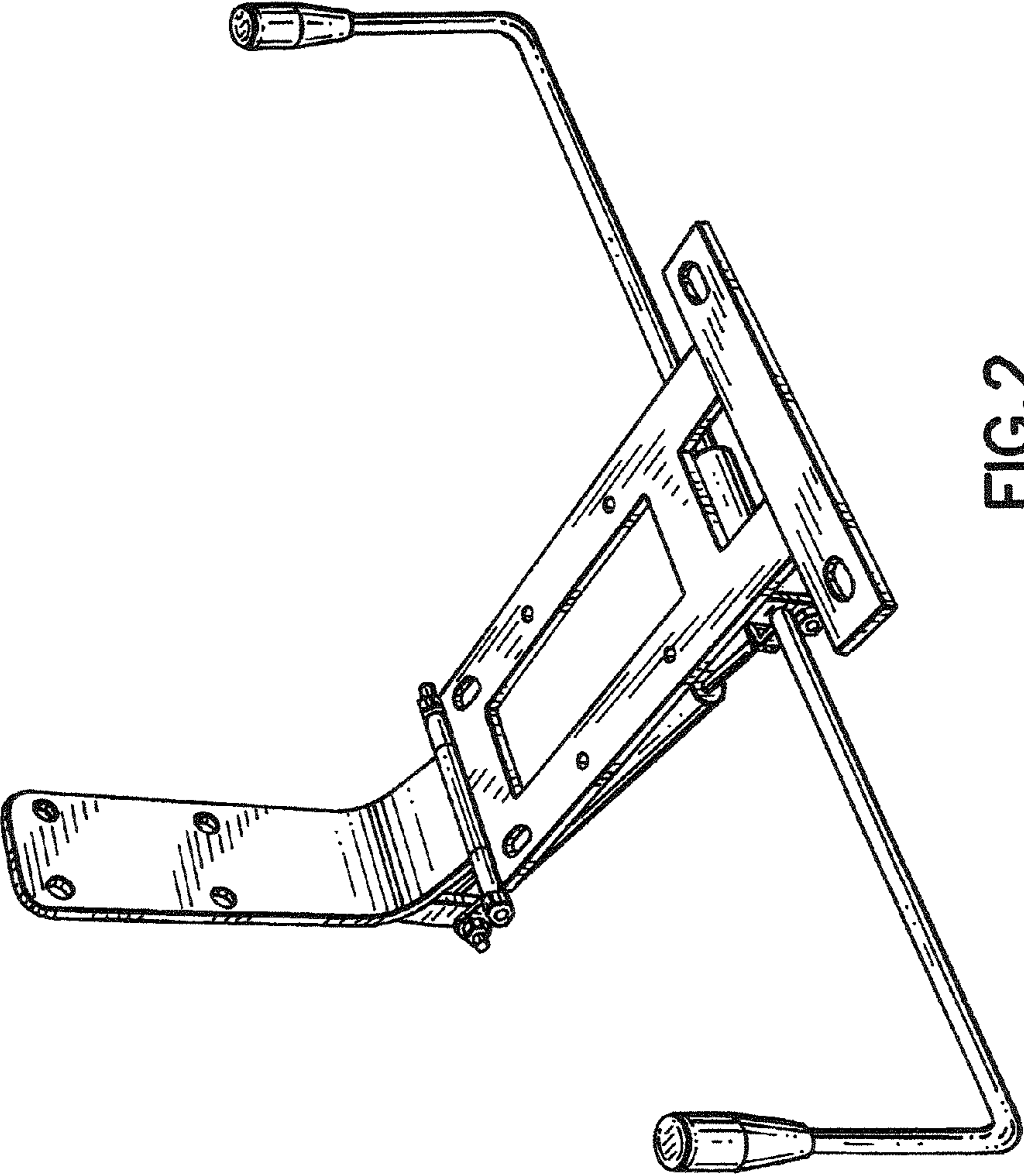


FIG.2

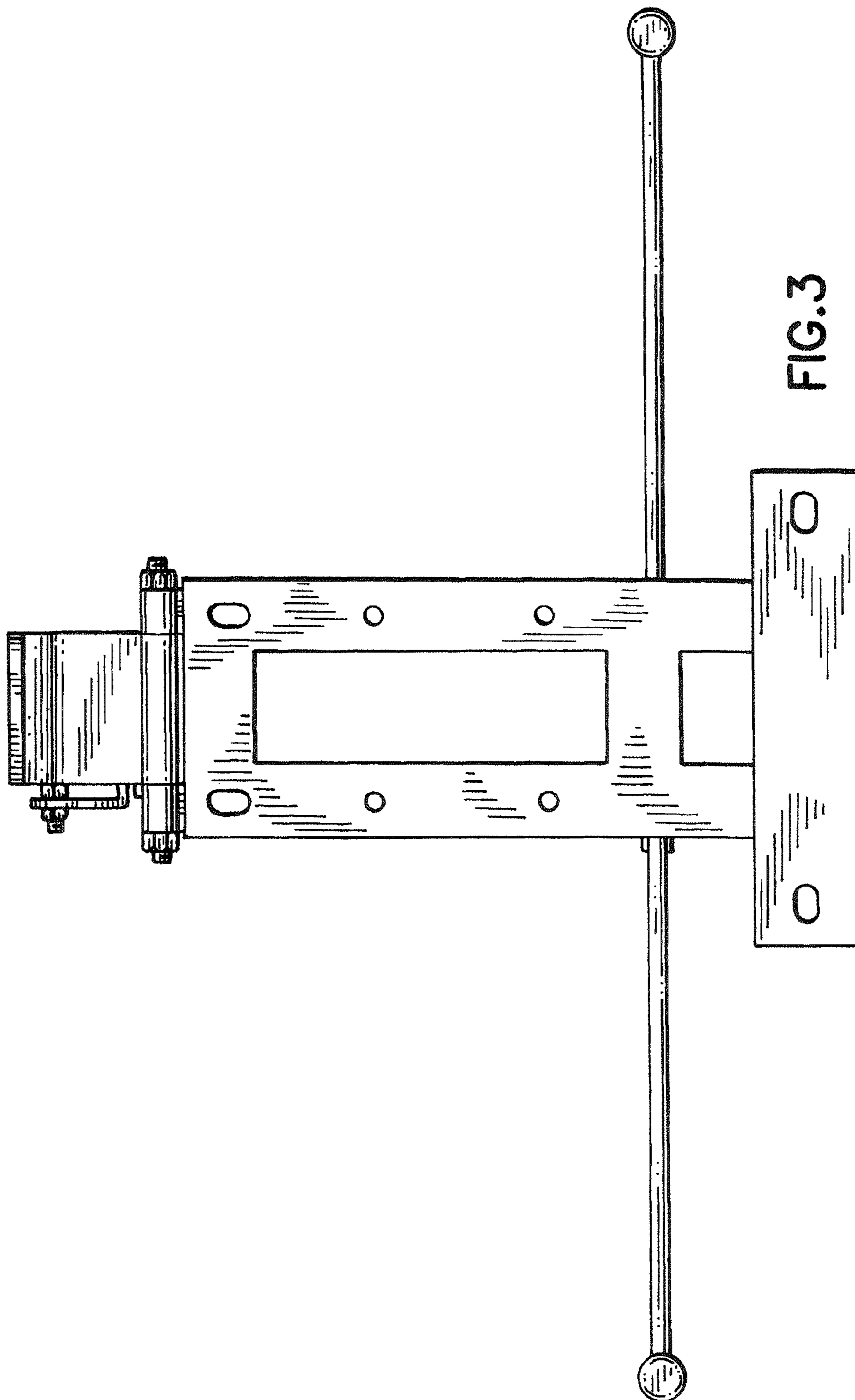


FIG.3

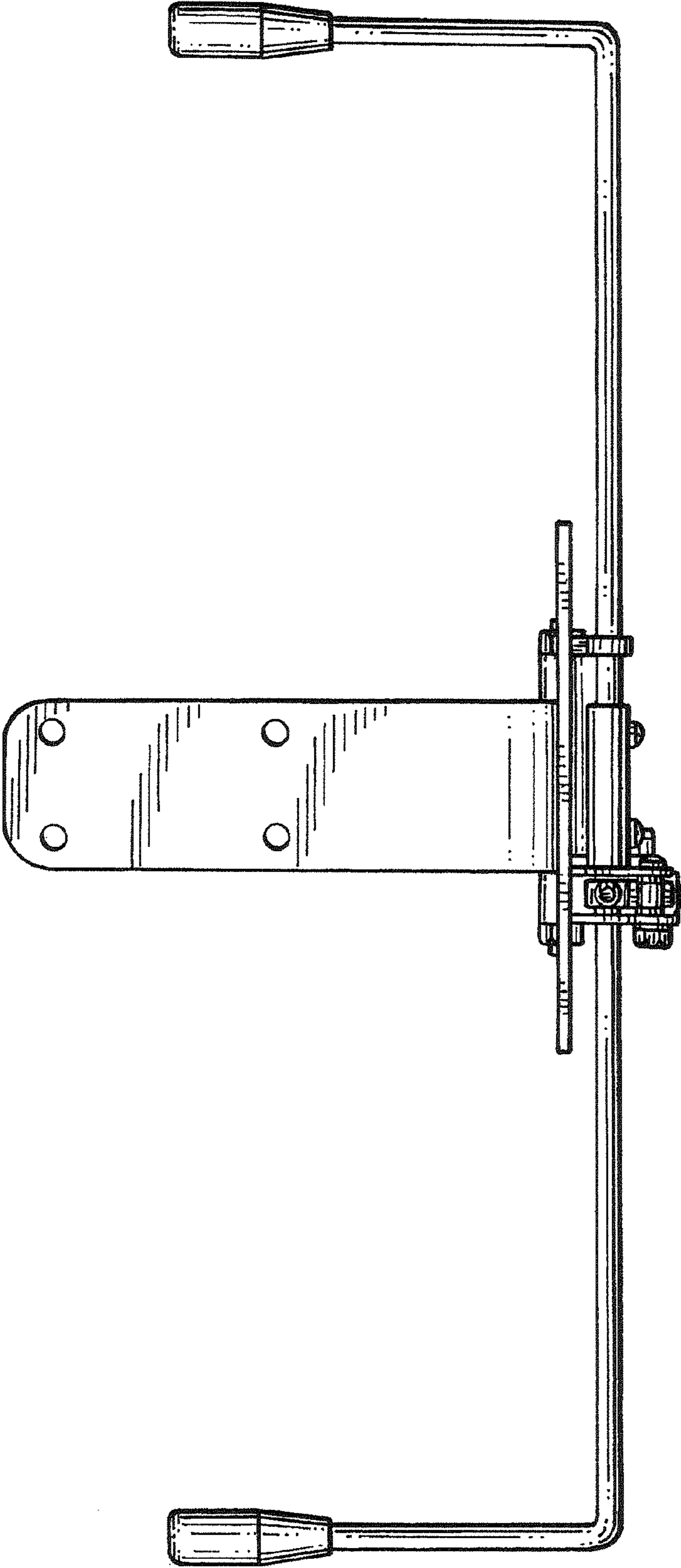


FIG.4

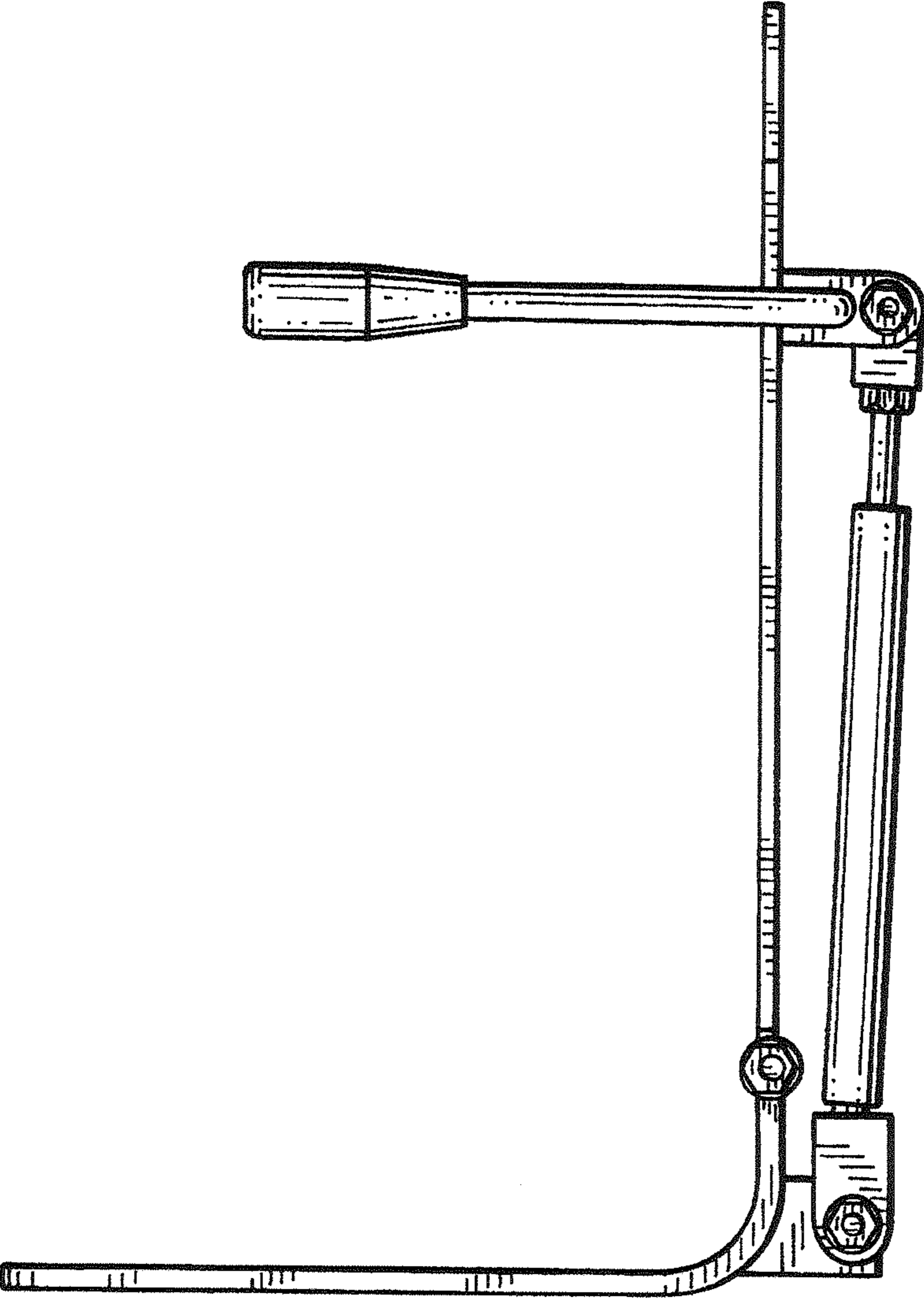


FIG. 5

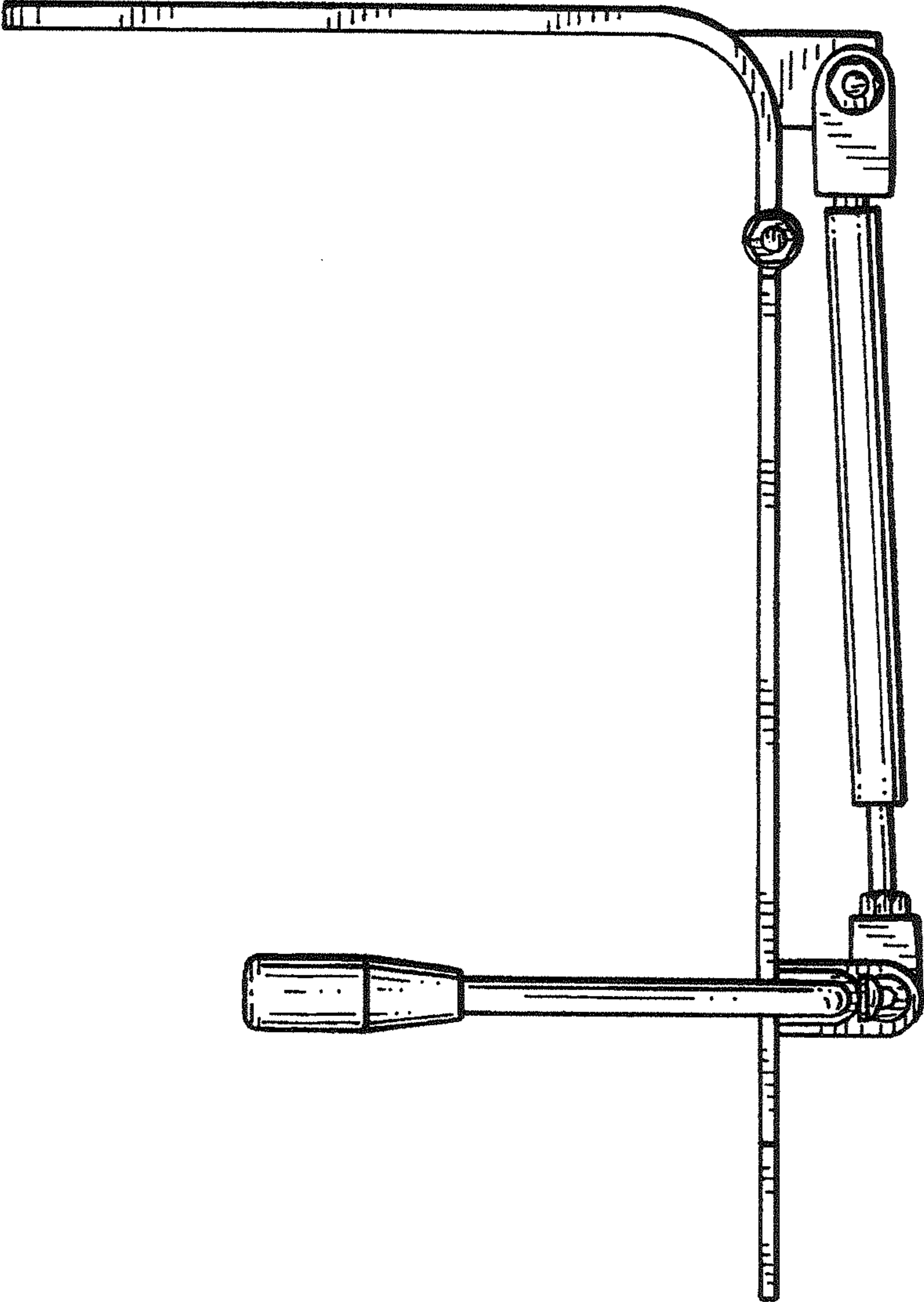


FIG. 6

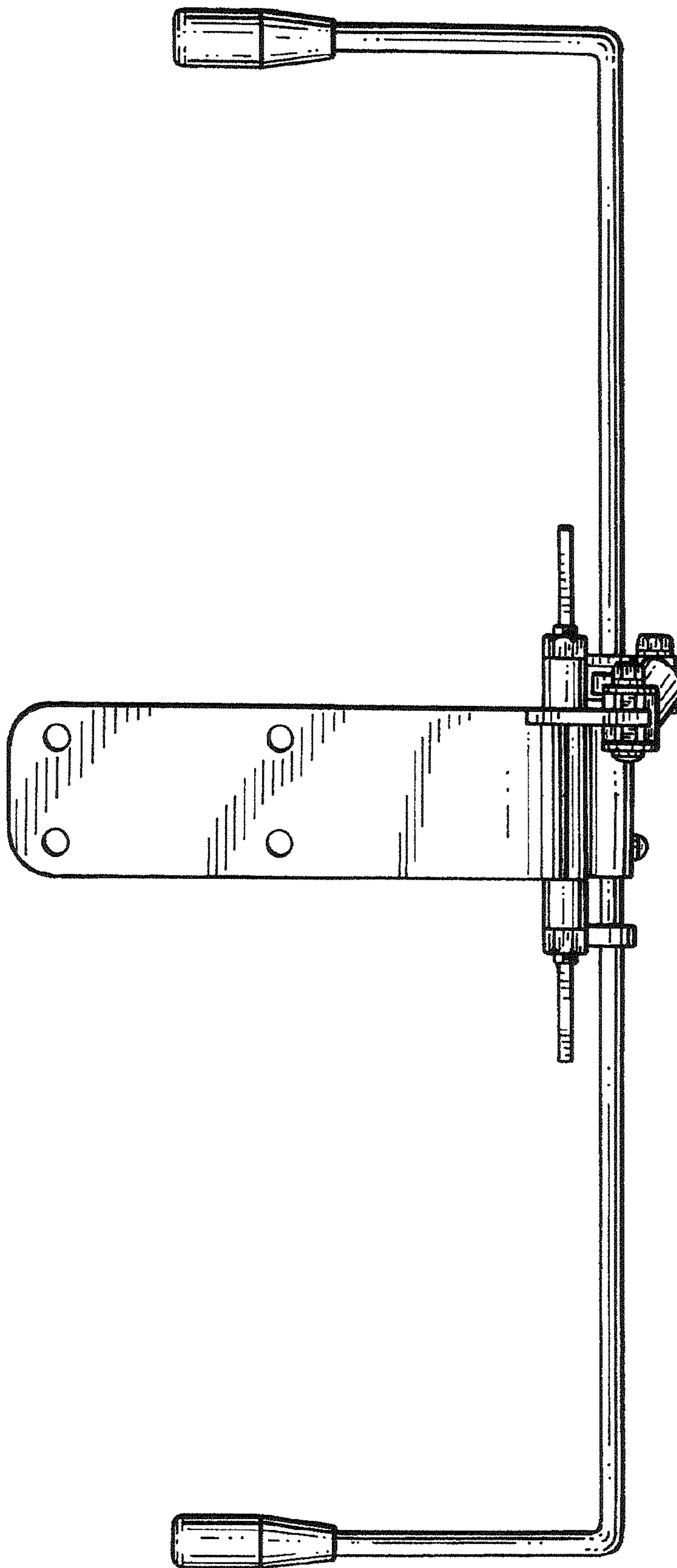


FIG. 7

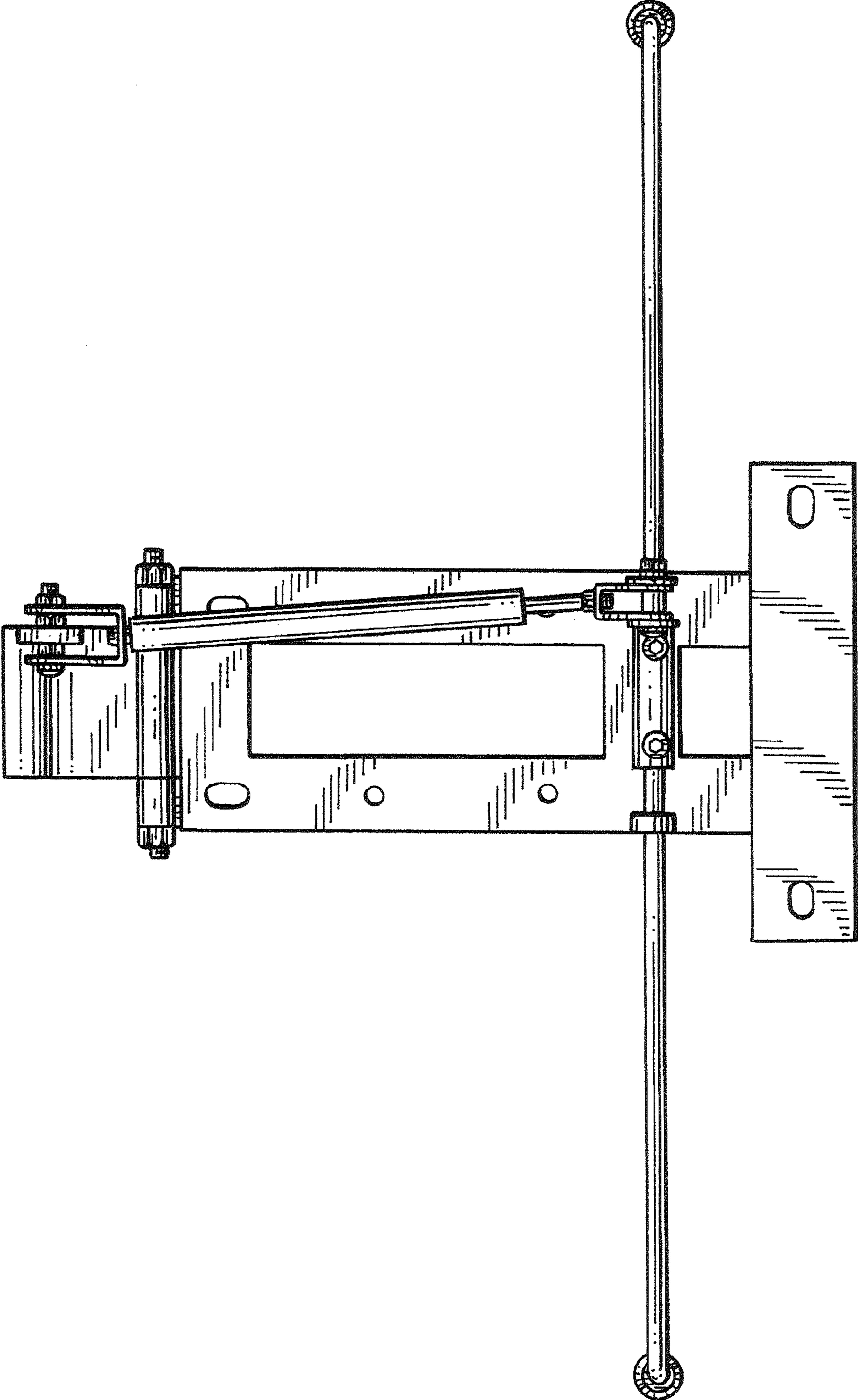


FIG.8