



US00D716597S

(12) **United States Design Patent**  
**Muller**

(10) **Patent No.:** **US D716,597 S**

(45) **Date of Patent:** **\*\* Nov. 4, 2014**

(54) **END TABLE**

(71) Applicant: **Elite Manufacturing Corporation,**  
Santa Fe Springs, CA (US)

(72) Inventor: **Carl Muller,** Huntington Beach, CA  
(US)

(73) Assignee: **Elite Manufacturing Corporation,**  
Santa Fe Springs, CA (US)

(\*\*) Term: **14 Years**

(21) Appl. No.: **29/452,693**

(22) Filed: **Apr. 19, 2013**

(51) **LOC (10) Cl.** ..... **06-06**

(52) **U.S. Cl.**  
USPC ..... **D6/708.17**

(58) **Field of Classification Search**  
USPC ..... D6/708, 708.17, 708.21, 691, 691.4,  
D6/692.3; 108/150, 152, 153.1, 156, 161

See application file for complete search history.

(56) **References Cited**

U.S. PATENT DOCUMENTS

609,592 A *	8/1898	Shultz .....	108/41
D276,100 S *	10/1984	Middleton .....	D6/466
D290,072 S *	6/1987	Winzeler, III .....	D6/486
D543,733 S	6/2007	Muller	
D650,204 S *	12/2011	Muller .....	D6/495

\* cited by examiner

*Primary Examiner* — Janice Seeger

(74) *Attorney, Agent, or Firm* — Stetina Brunda Garred  
Brucker

(57) **CLAIM**

The ornamental design for an end table, as shown and described.

**DESCRIPTION**

FIG. 1 is a top perspective view of the end table of the present invention showing my new design with the dotted lines depicting environmental structure and forming no part of the claimed design;

FIG. 2 is a bottom perspective view thereof;

FIG. 3 is a top plan view thereof;

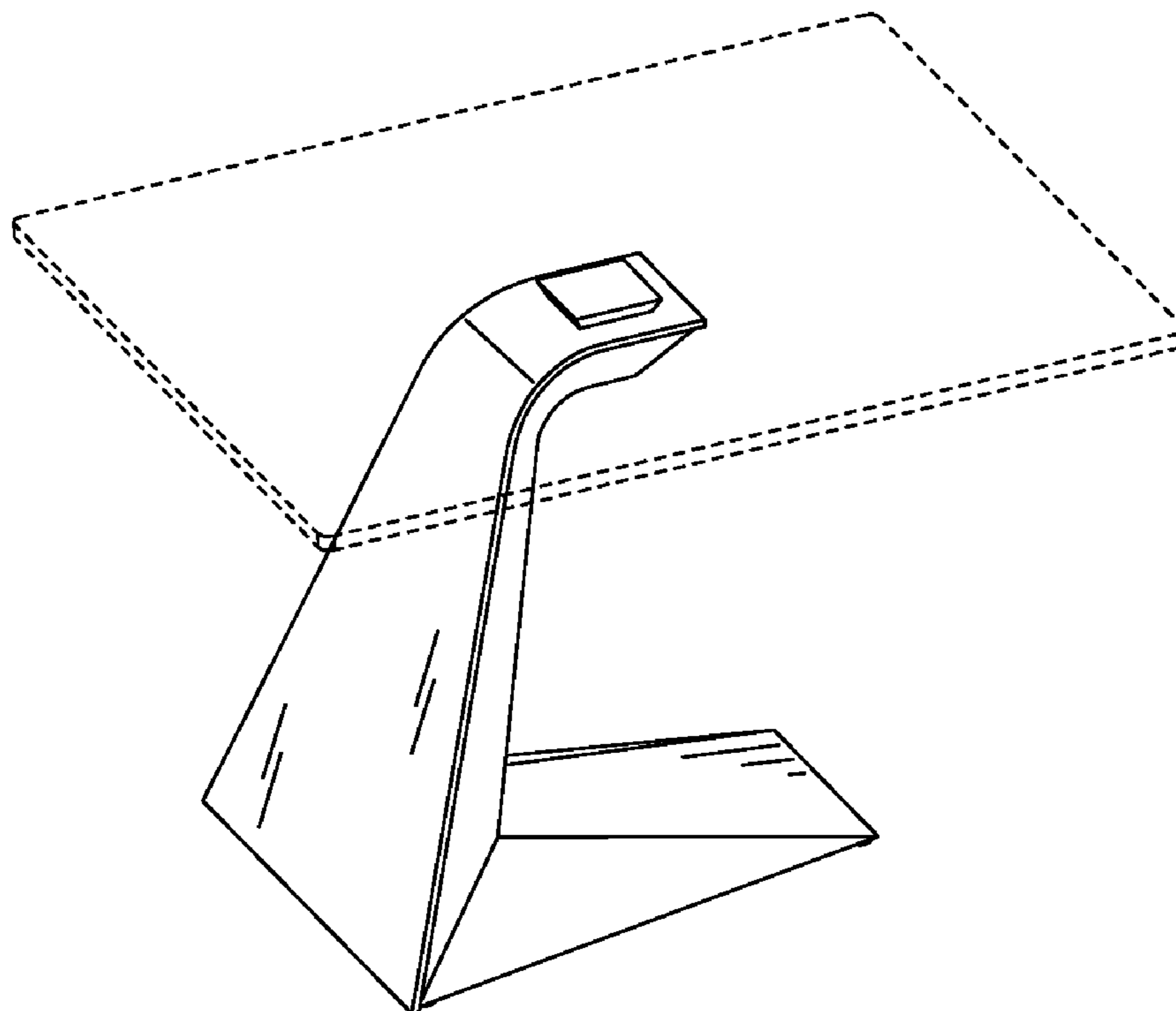
FIG. 4 is a front elevational view thereof;

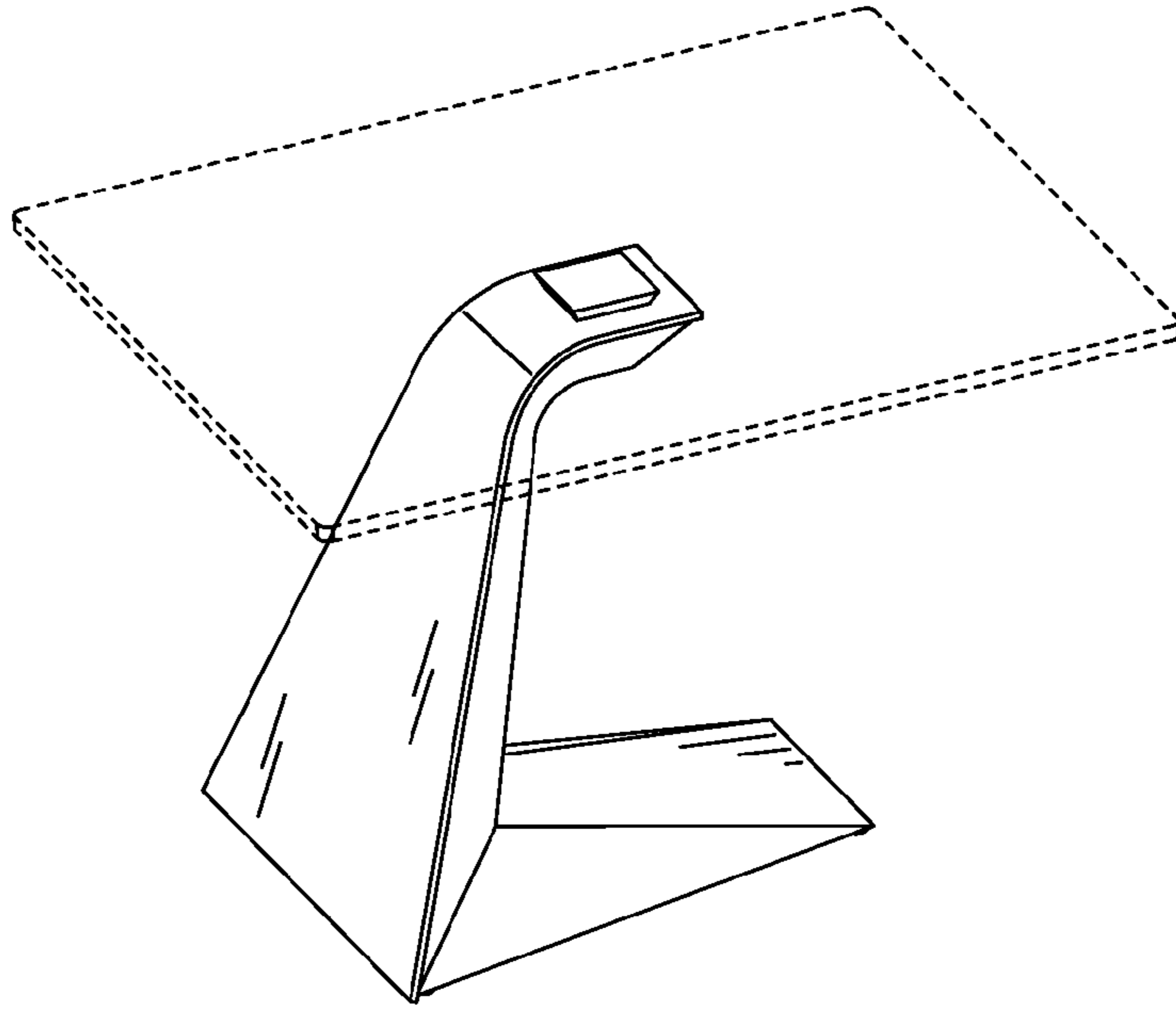
FIG. 5 is a left side elevational view thereof;

FIG. 6 is a bottom plan view thereof; and,

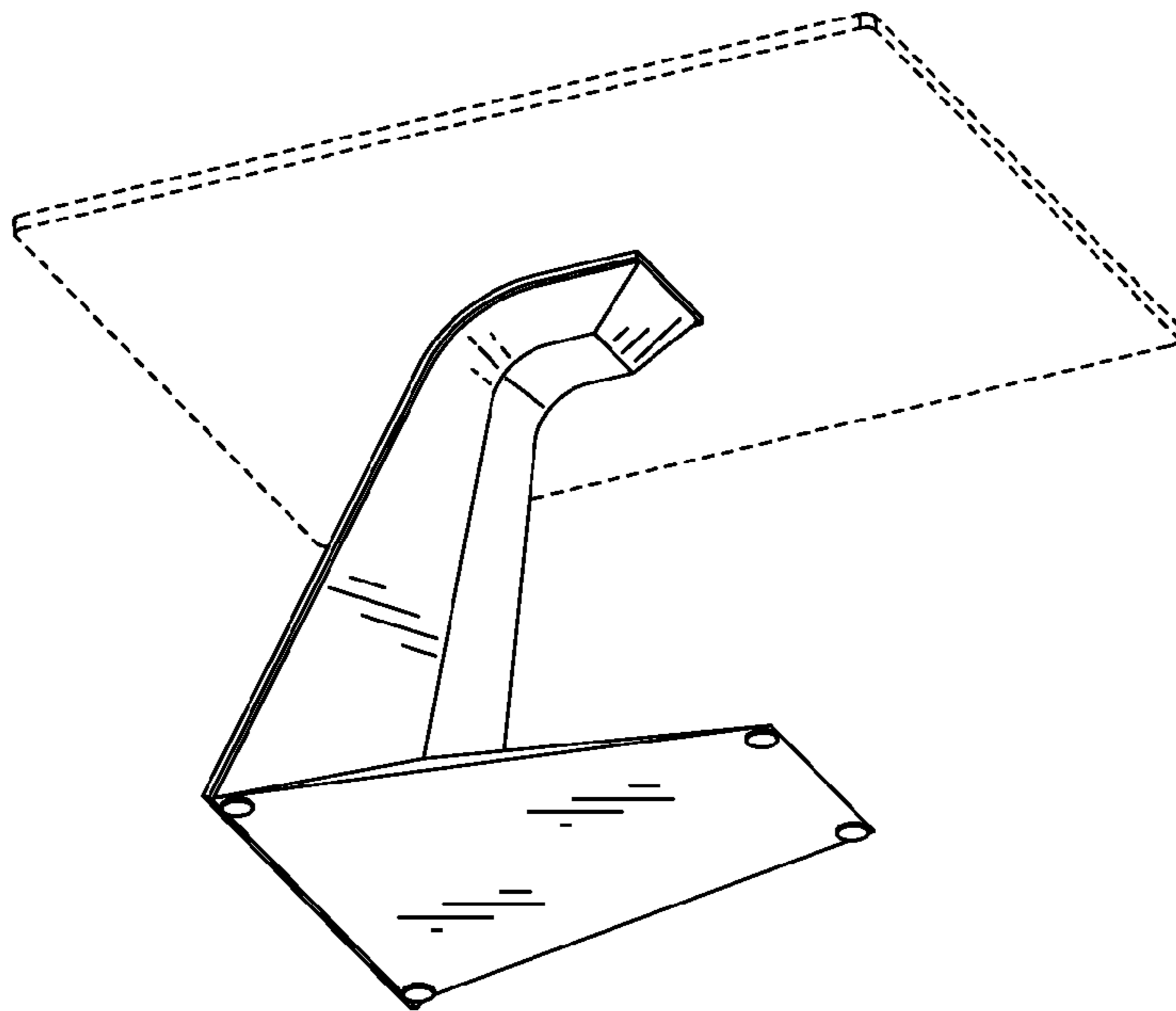
FIG. 7 is a right side elevational view thereof.

**1 Claim, 2 Drawing Sheets**

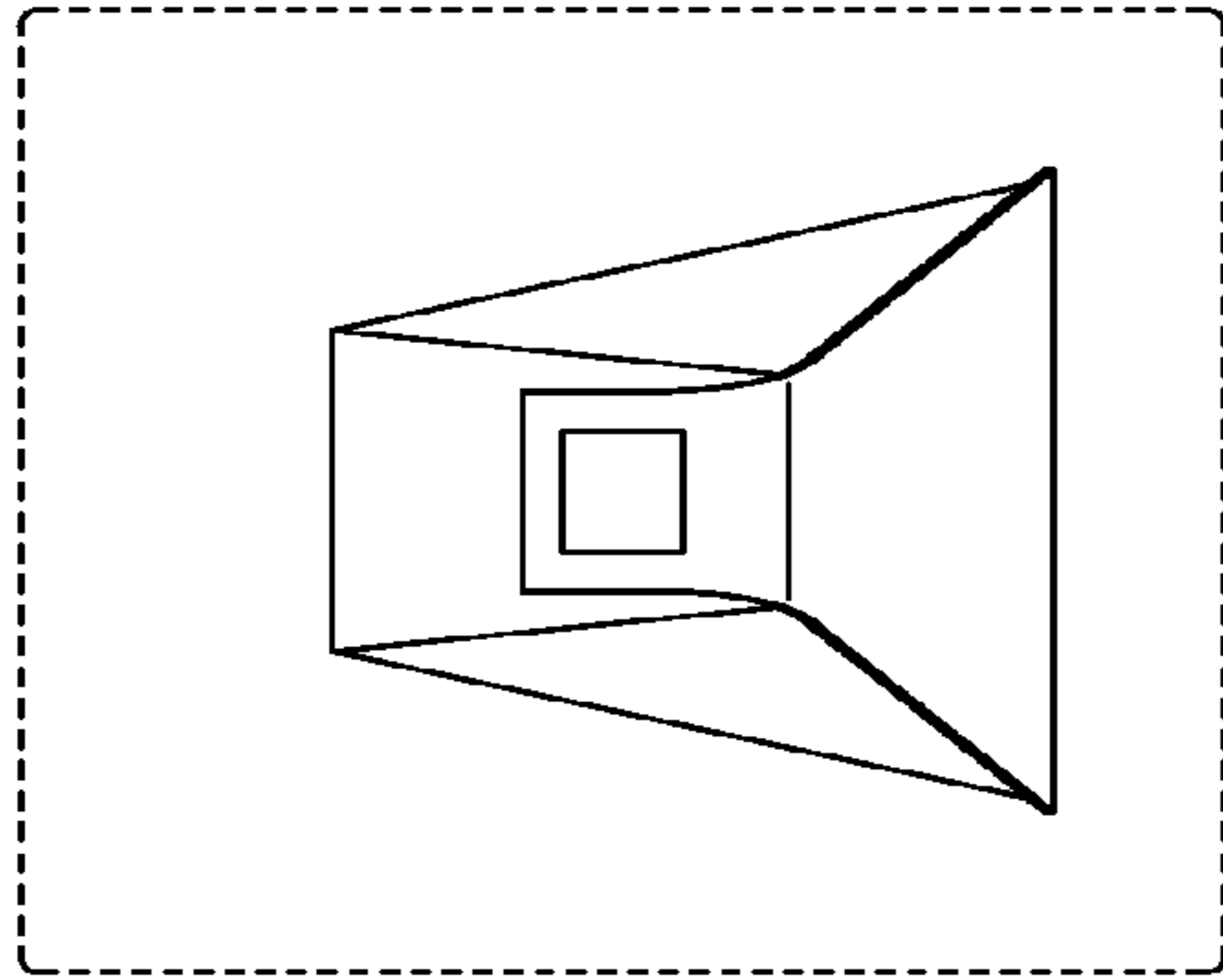




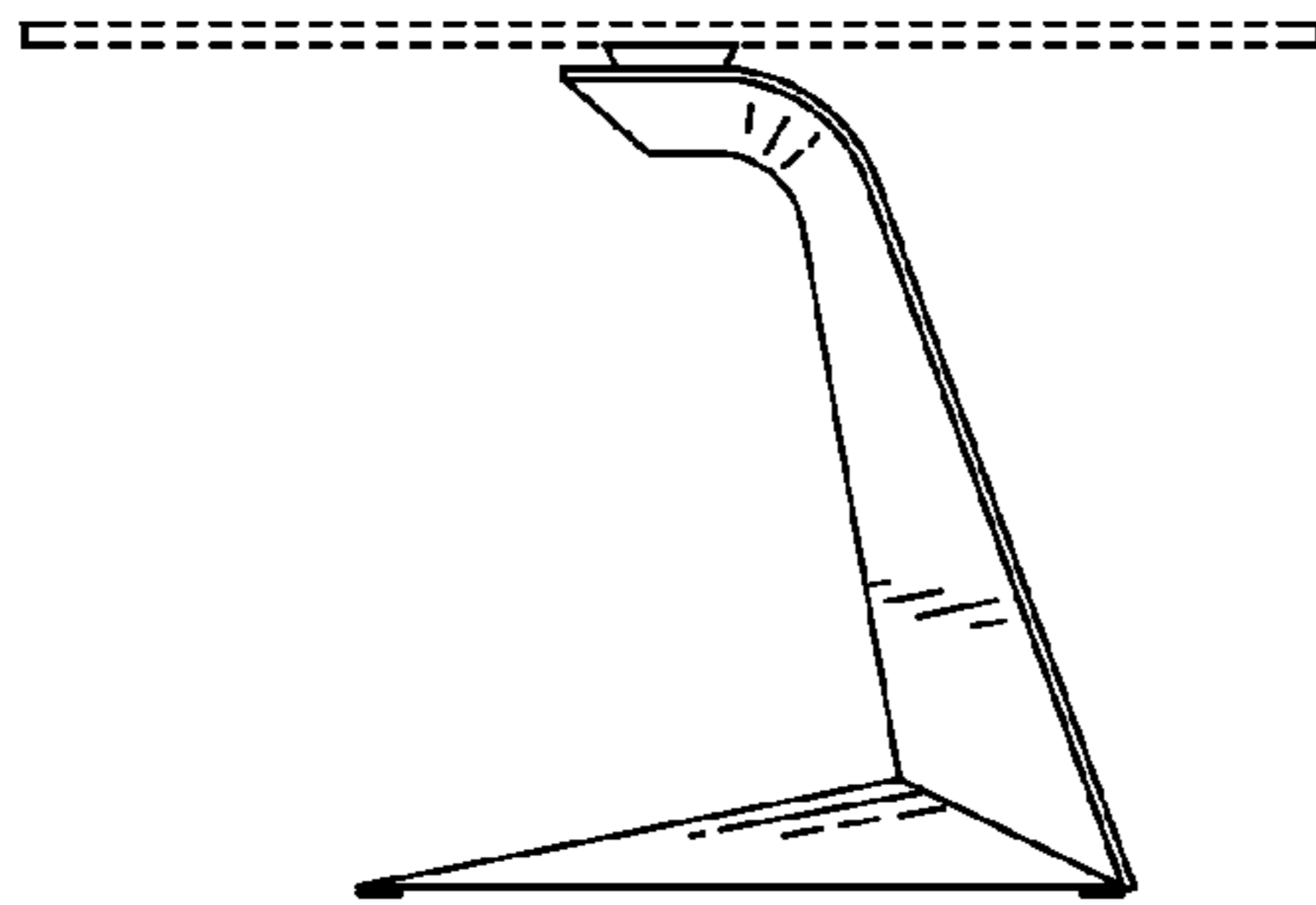
*Fig. 1*



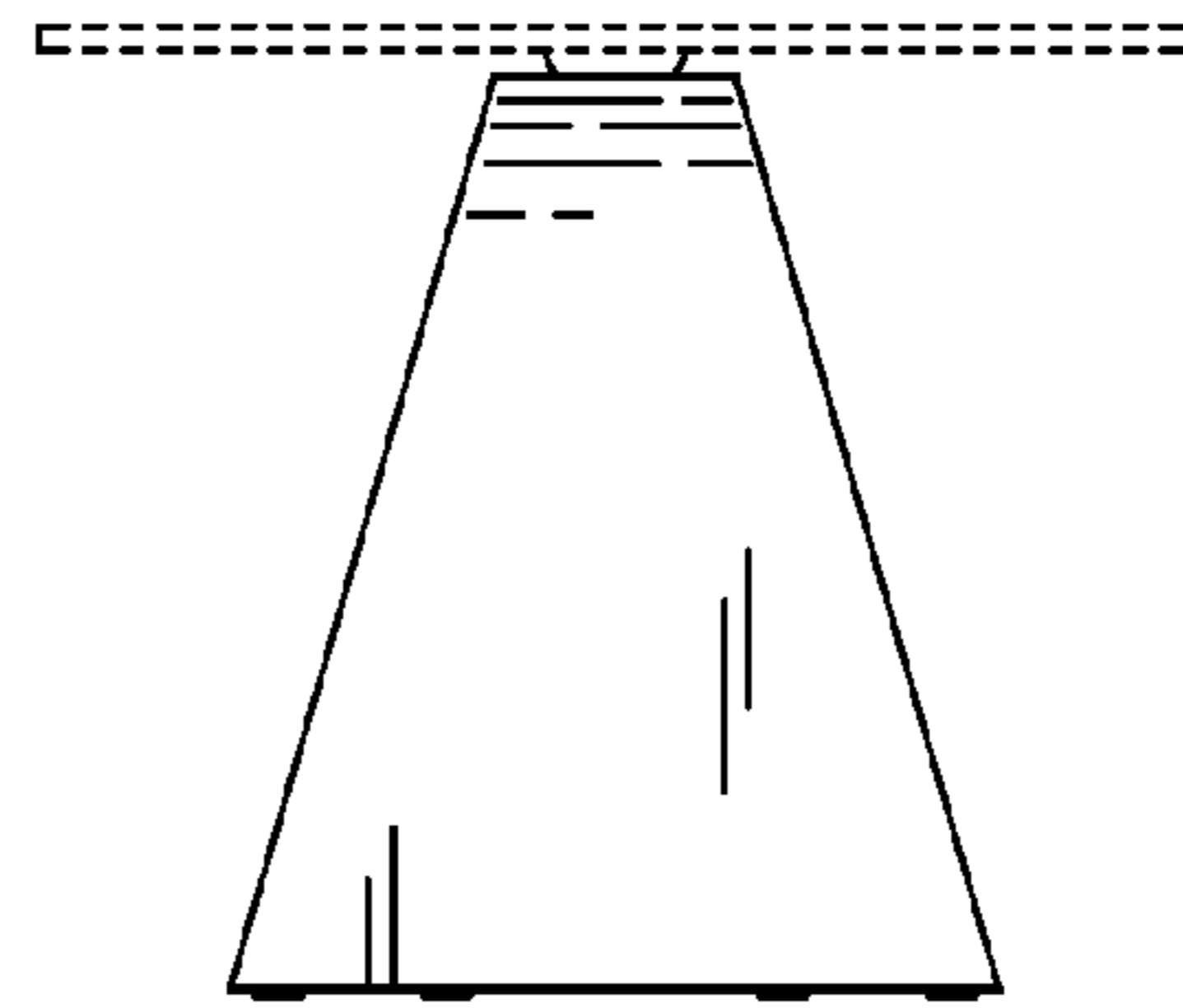
*Fig. 2*



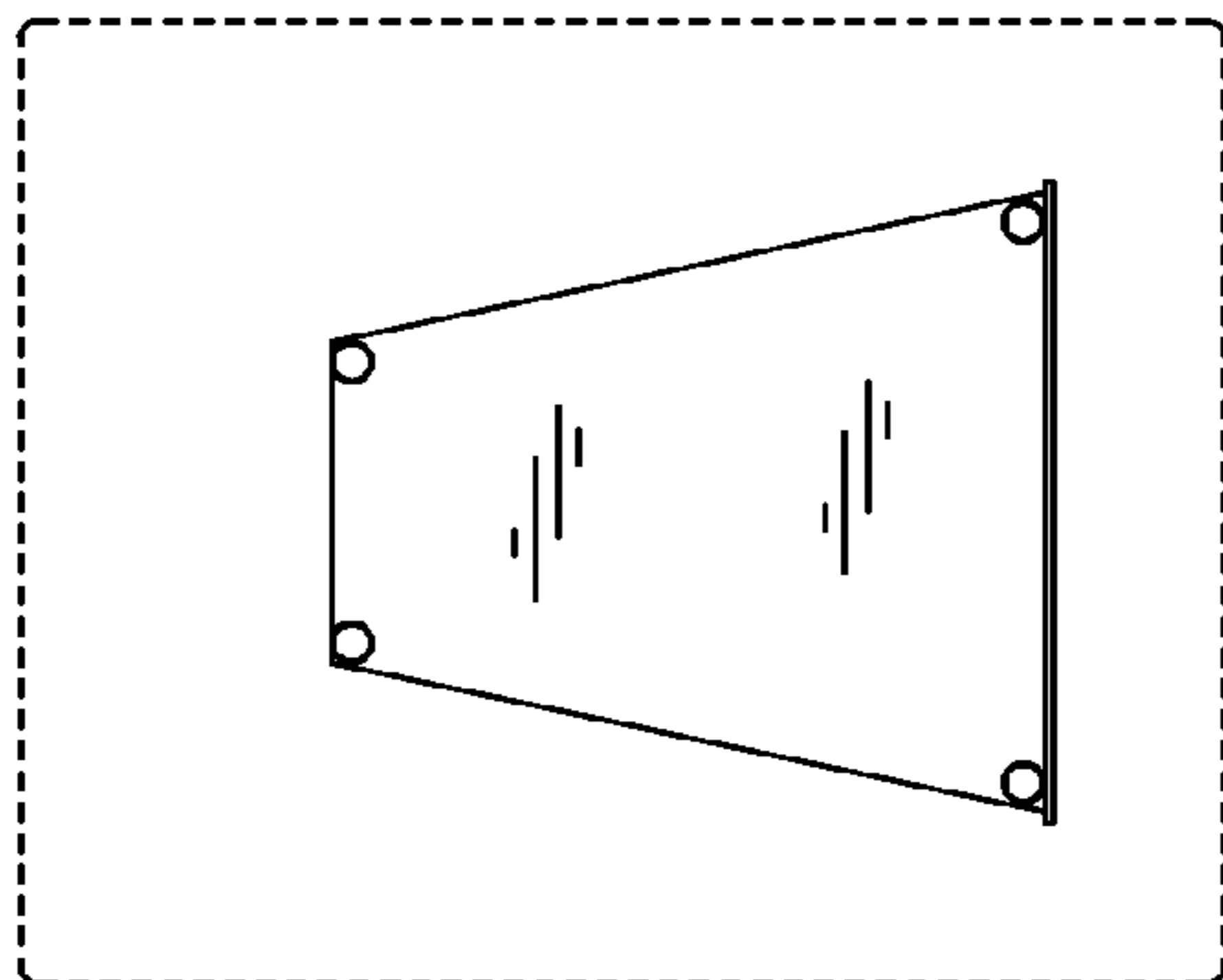
*Fig. 3*



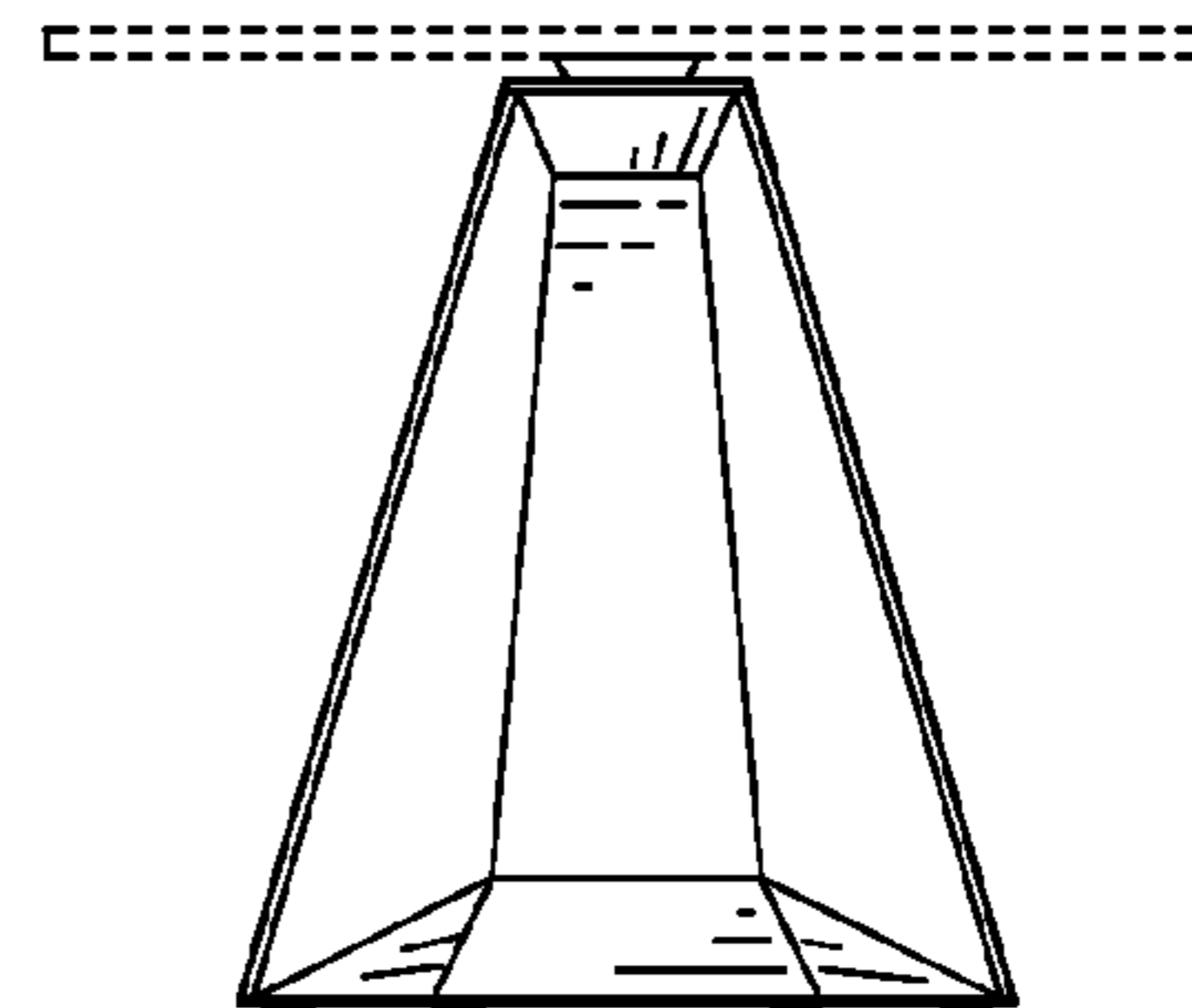
*Fig. 4*



*Fig. 5*



*Fig. 6*



*Fig. 7*