



US00D716595S

(12) **United States Design Patent**
Muller

(10) **Patent No.:** **US D716,595 S**

(45) **Date of Patent:** **** Nov. 4, 2014**

(54) **TABLE**

(71) Applicant: **Elite Manufacturing Corporation,**
Santa Fe Springs, CA (US)

(72) Inventor: **Carl Muller,** Huntington Beach, CA
(US)

(73) Assignee: **Elite Manufacturing Corporation,**
Santa Fe Springs, CA (US)

(**) Term: **14 Years**

(21) Appl. No.: **29/452,687**

(22) Filed: **Apr. 19, 2013**

(51) **LOC (10) Cl.** **06-06**

(52) **U.S. Cl.**
USPC **D6/708**

(58) **Field of Classification Search**
USPC D6/708, 708.17, 691, 691.4, 692.3;
108/150, 152, 153.1, 156, 161
See application file for complete search history.

(56) **References Cited**

U.S. PATENT DOCUMENTS

D655,537 S * 3/2012 Ruiter et al. D6/495
D665,602 S 8/2012 Muller

* cited by examiner

Primary Examiner — Janice Seeger

(74) *Attorney, Agent, or Firm* — Stetina Brunda Garred &
Brucker

(57) **CLAIM**

The ornamental design for a table, as shown and described.

DESCRIPTION

FIG. 1 is a top perspective view of the table of the present invention showing my new design with the dotted lines depicting environmental structure and forming no part of the claimed design;

FIG. 2 is a bottom perspective view thereof;

FIG. 3 is a top plan view thereof;

FIG. 4 is a front elevational view thereof;

FIG. 5 is an end elevational view thereof; and

FIG. 6 is a bottom plan view thereof;

FIG. 7 is a top perspective view of a second embodiment of the table of the present invention showing my new design with the dotted lines depicting environmental structure and forming no part of the claimed design;

FIG. 8 is a bottom perspective view thereof;

FIG. 9 is a top plan view thereof;

FIG. 10 is a front elevational view thereof;

FIG. 11 is a side elevational view thereof; and

FIG. 12 is a bottom plan view thereof;

FIG. 13 is a top perspective view of a third embodiment of the table of the present invention showing my new design with the dotted lines depicting environmental structure and forming no part of the claimed design;

FIG. 14 is a bottom perspective view thereof;

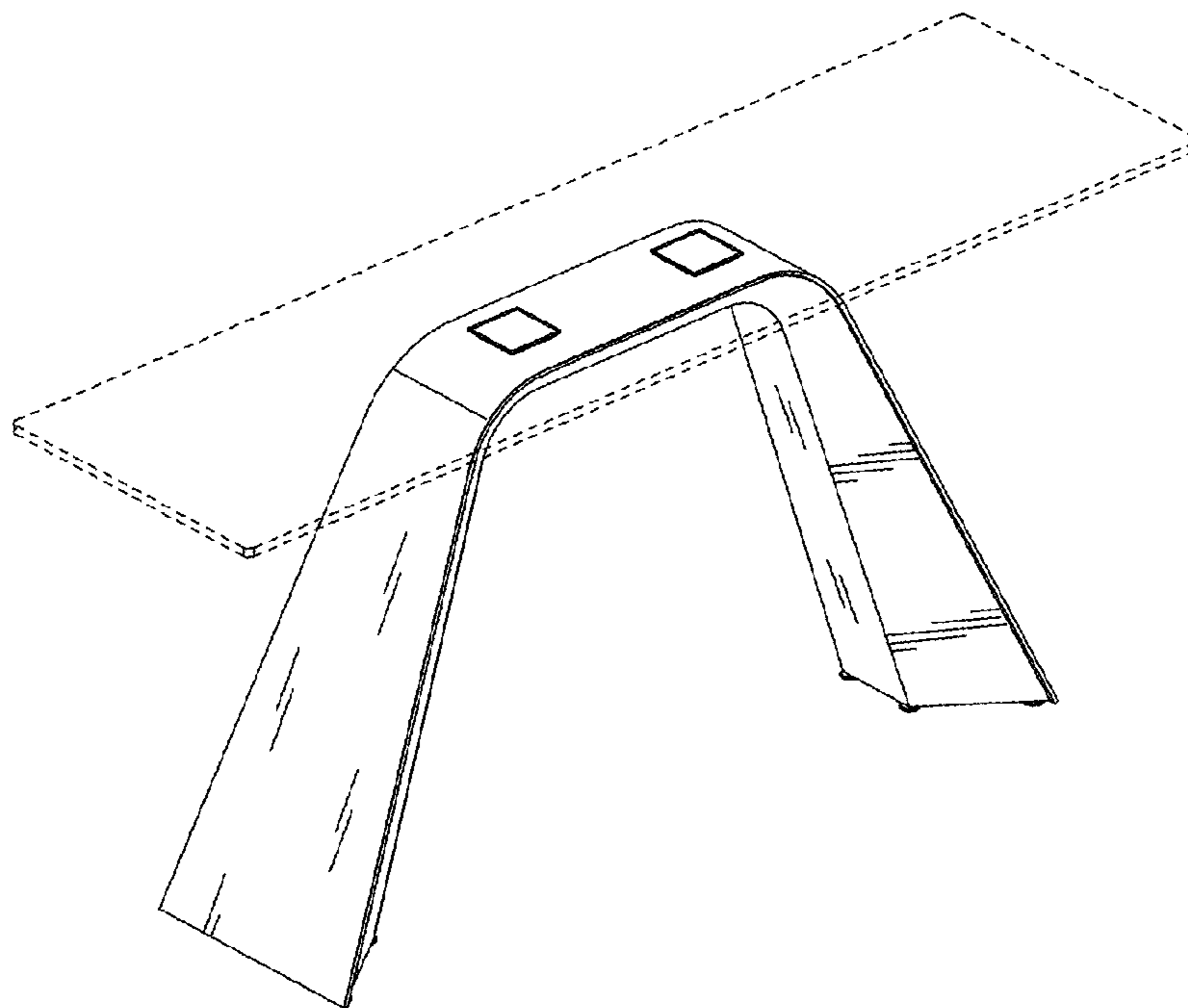
FIG. 15 is a top plan view thereof;

FIG. 16 is a front elevational view thereof;

FIG. 17 is a side elevational view thereof; and,

FIG. 18 is a bottom plan view thereof.

1 Claim, 6 Drawing Sheets



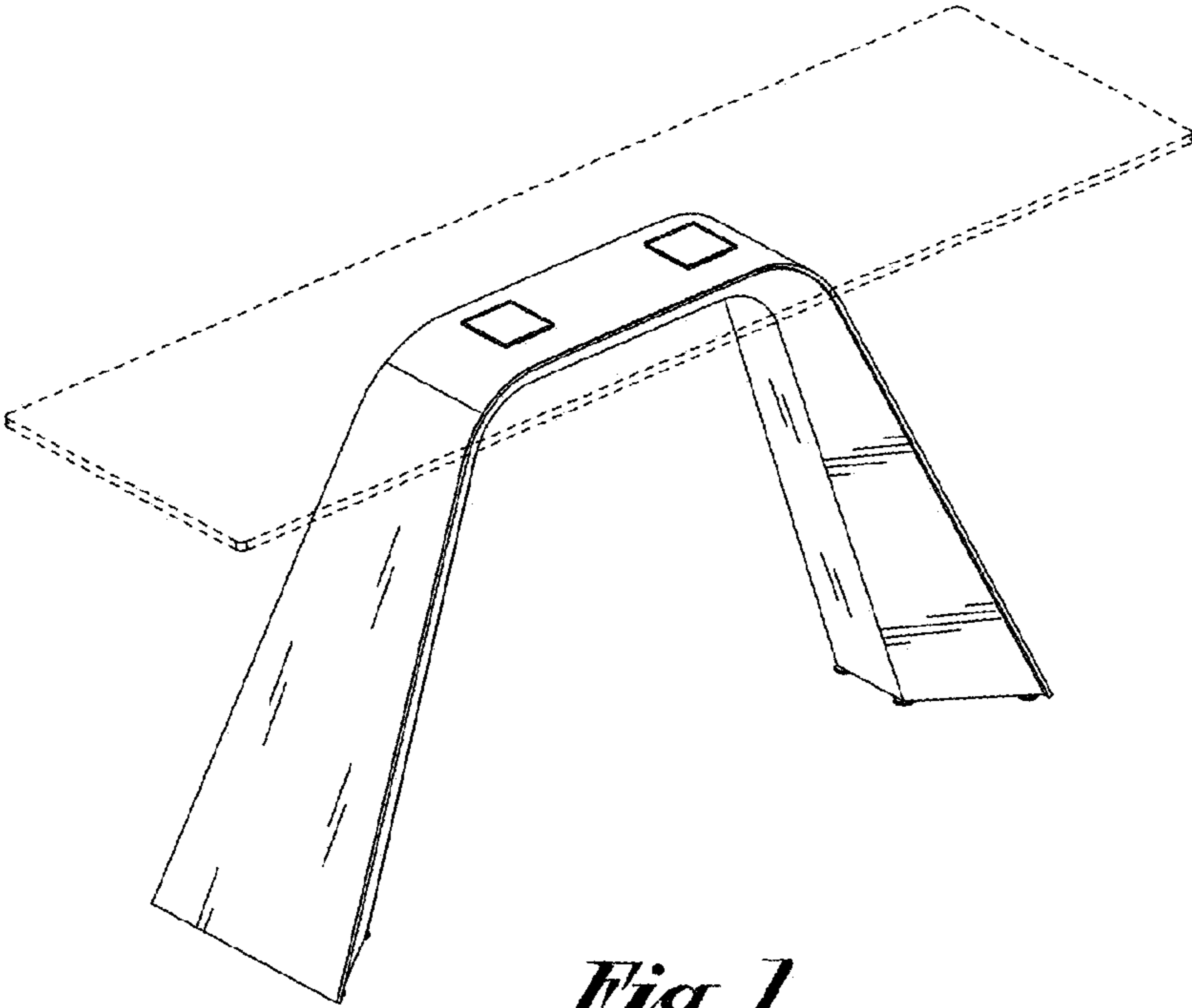


Fig. 1

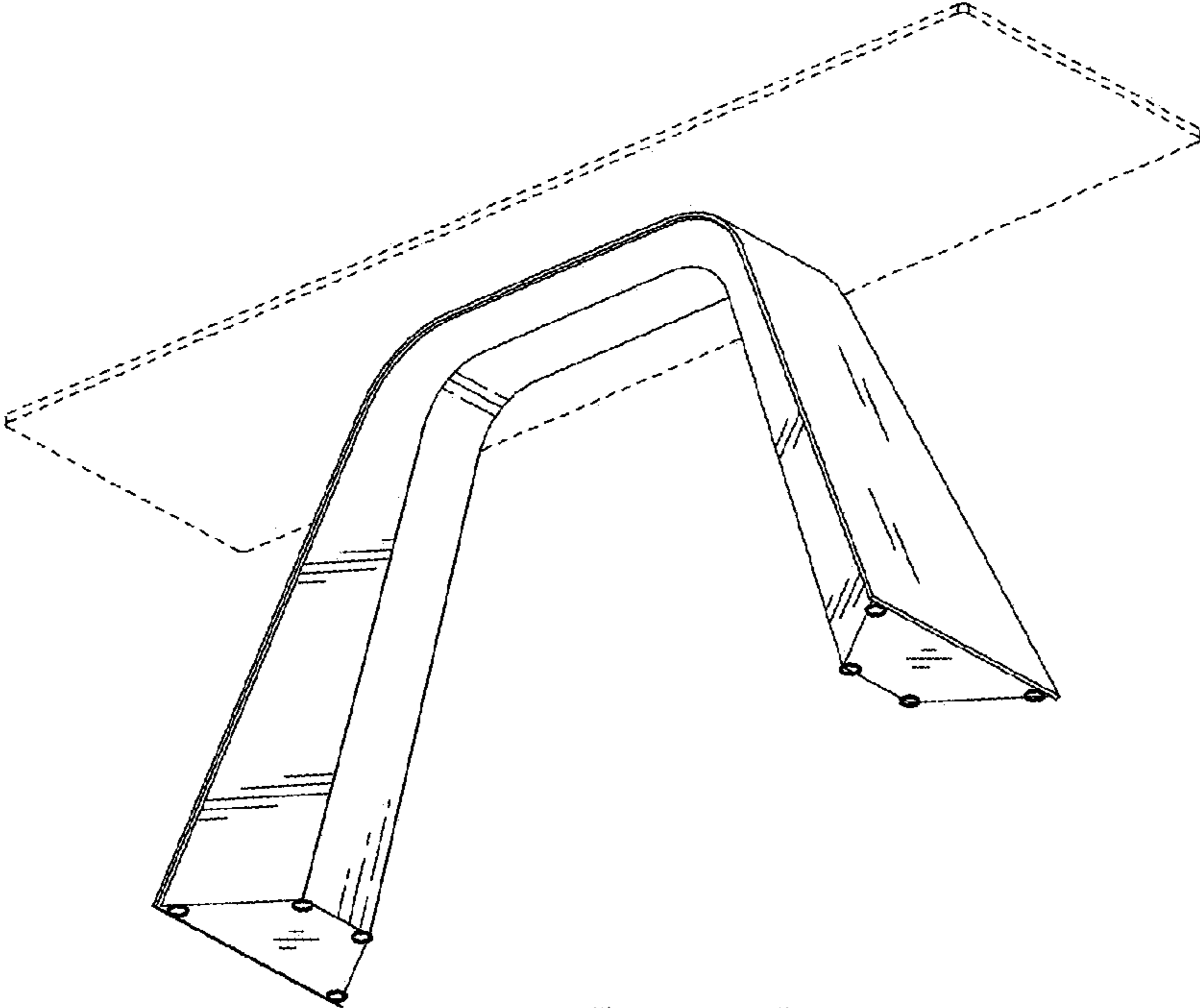


Fig. 2

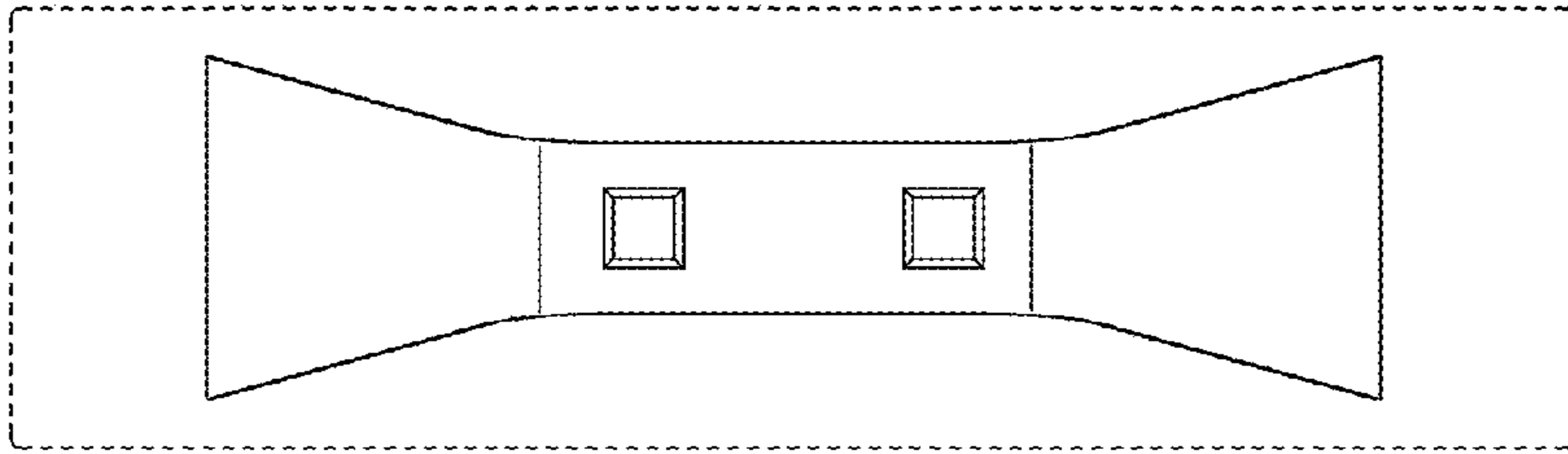


Fig. 3

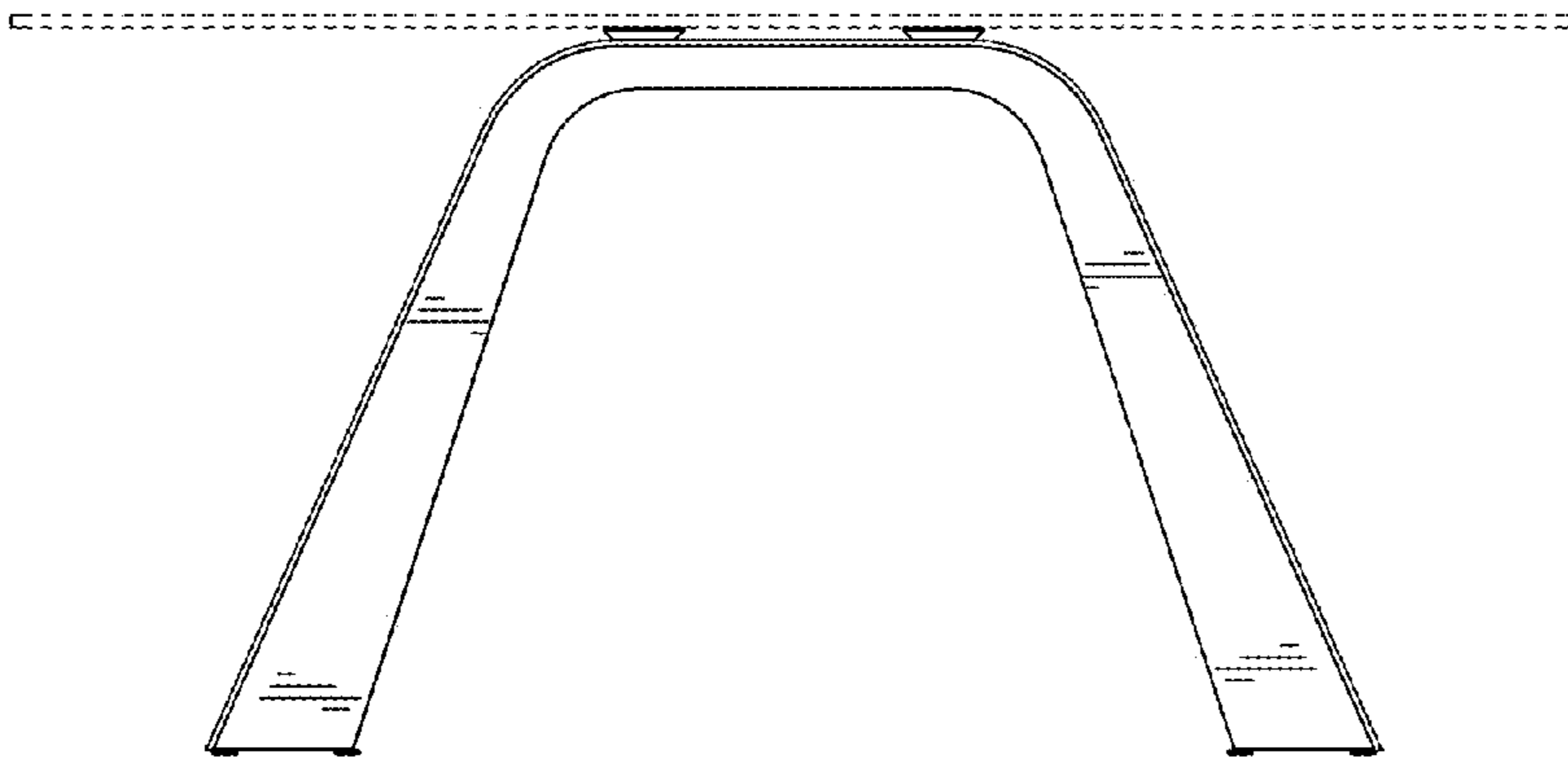


Fig. 4

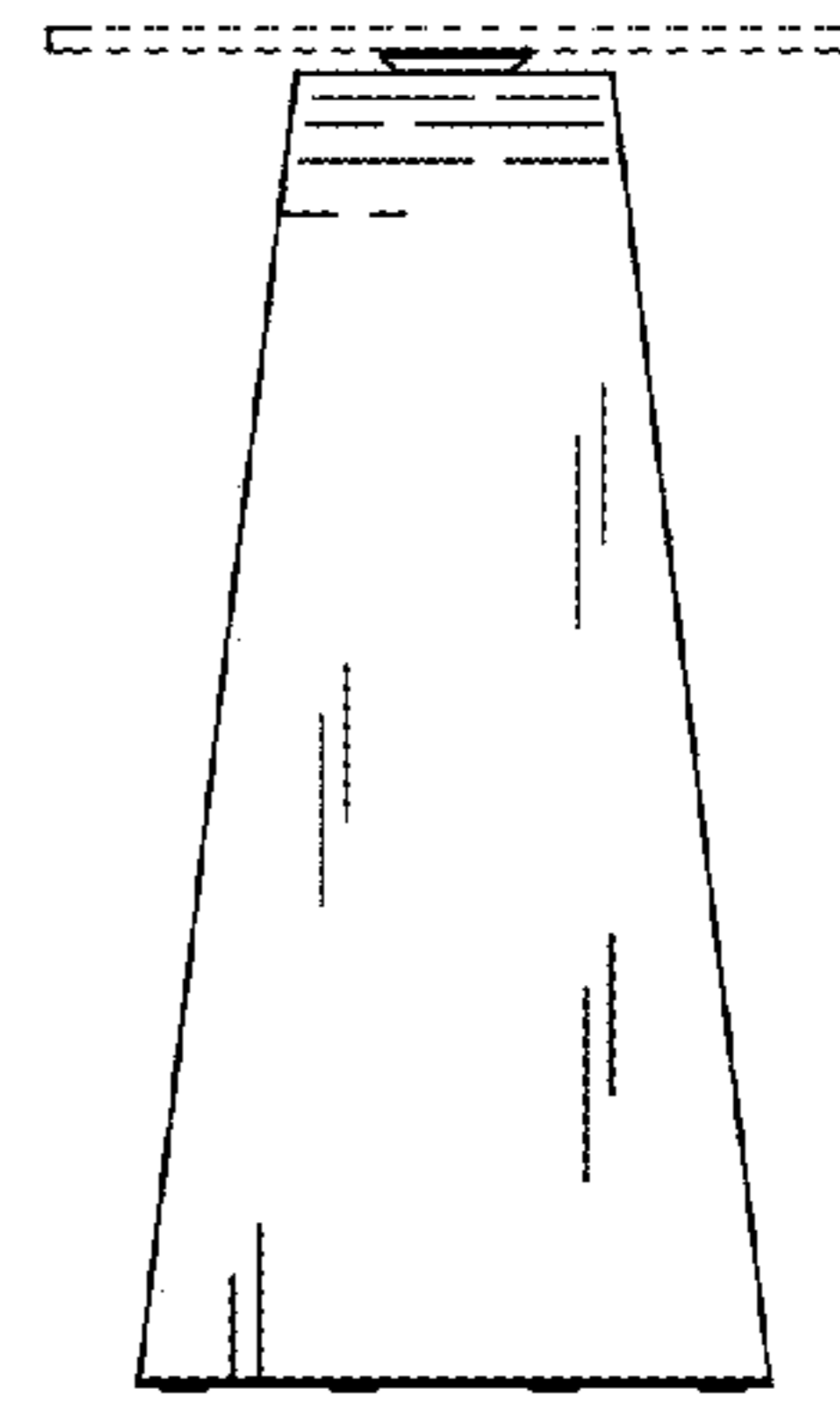


Fig. 5

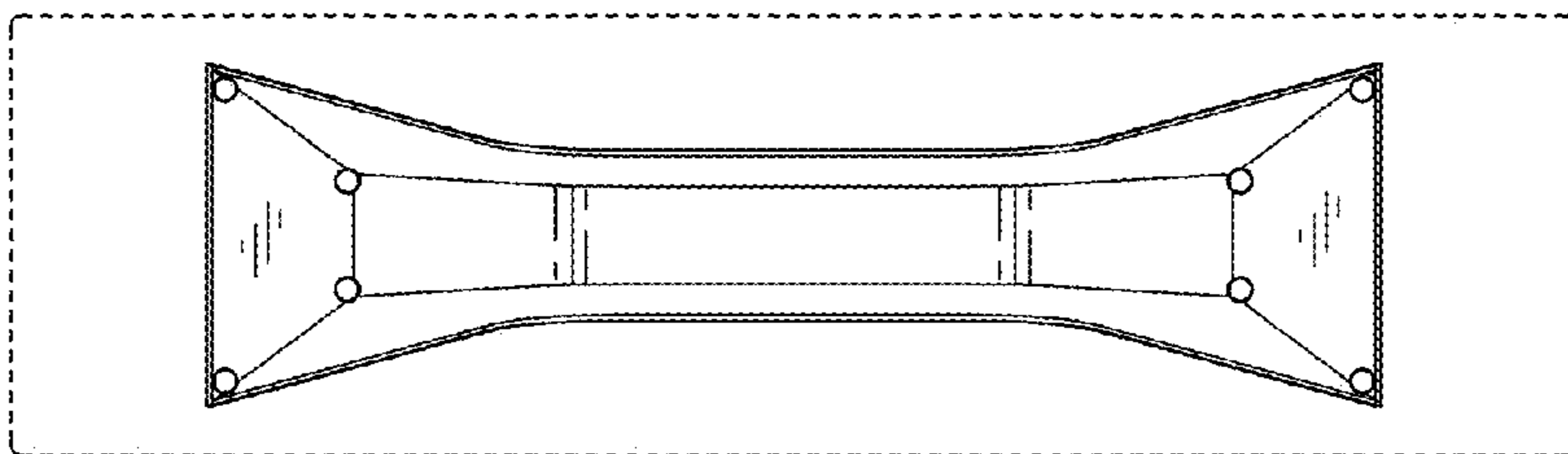


Fig. 6

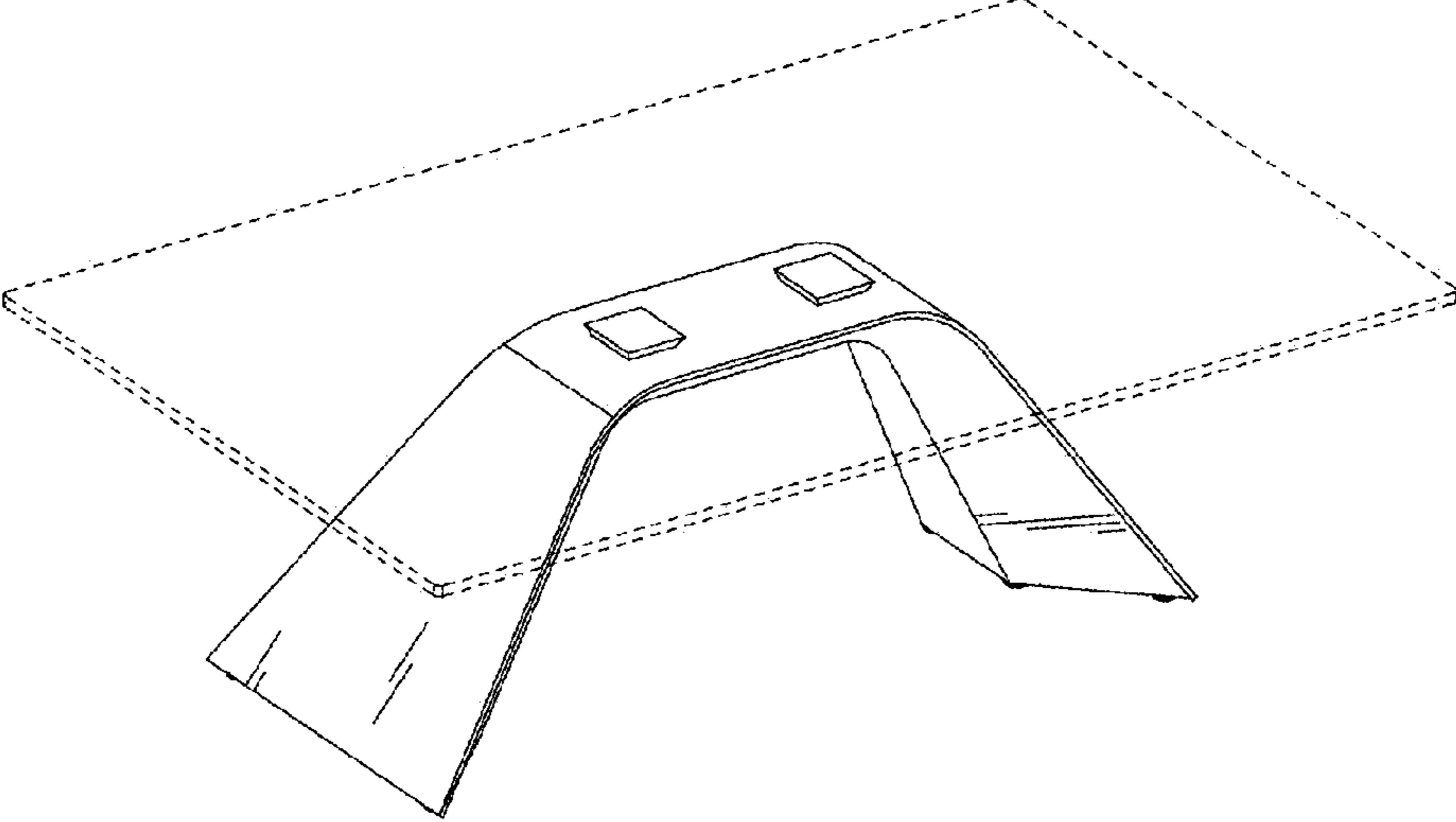


Fig. 7

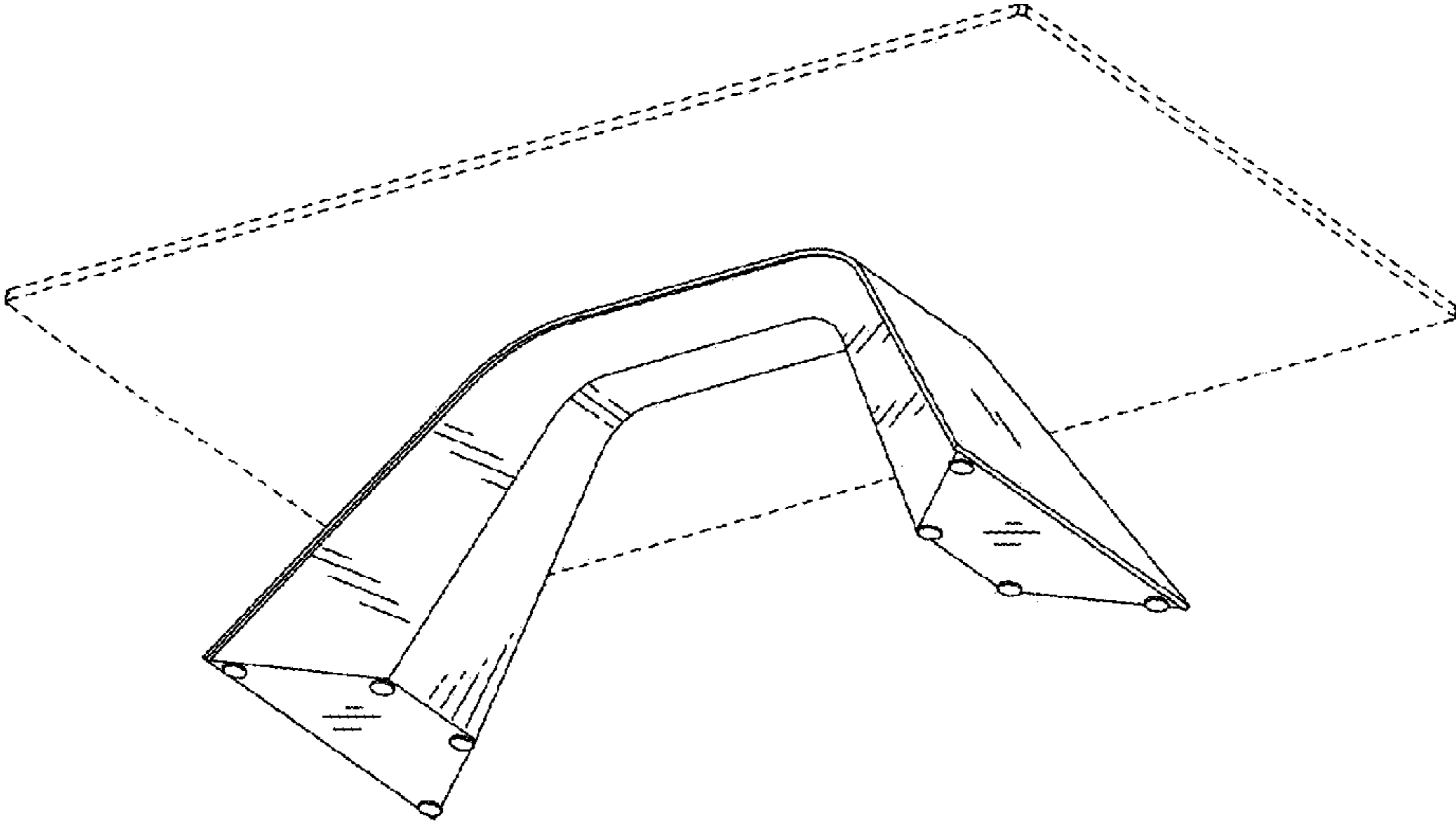


Fig. 8

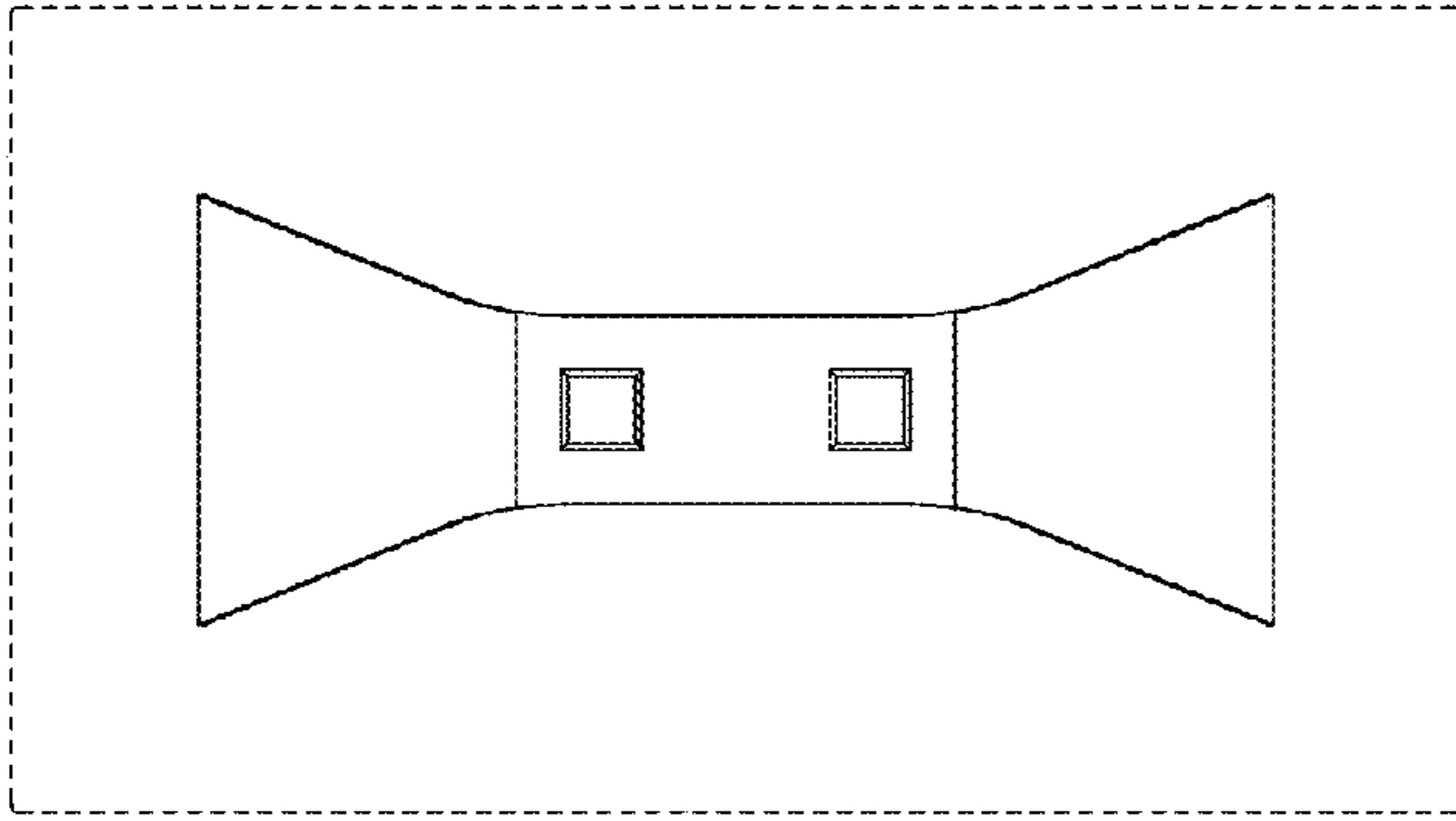


Fig. 9

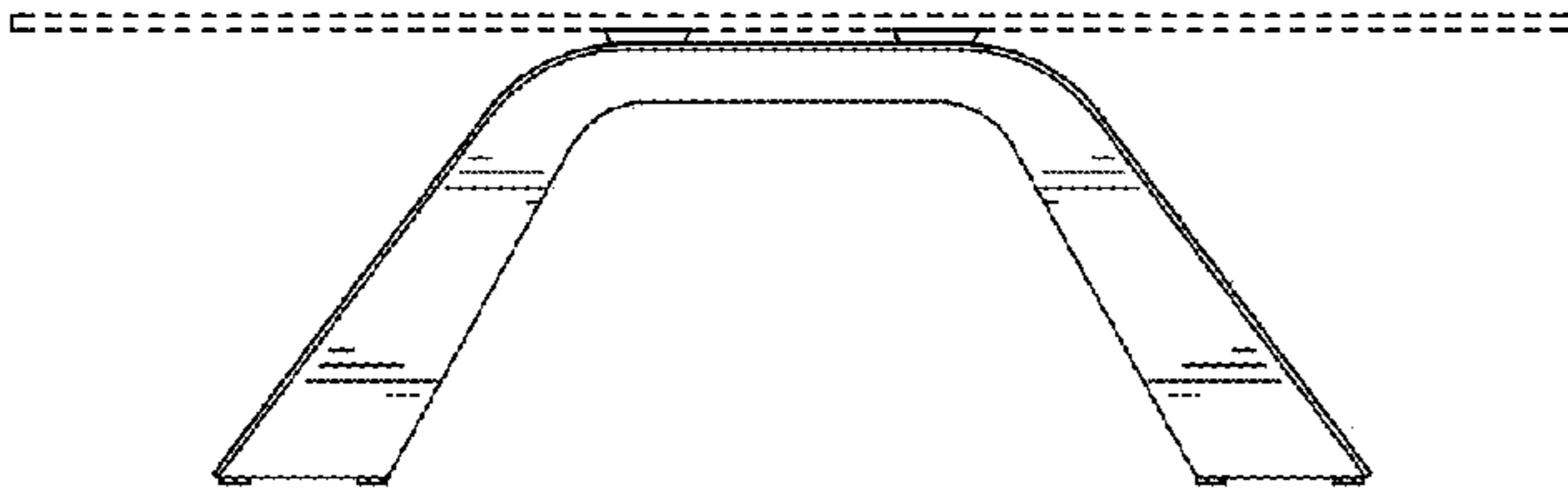


Fig. 10

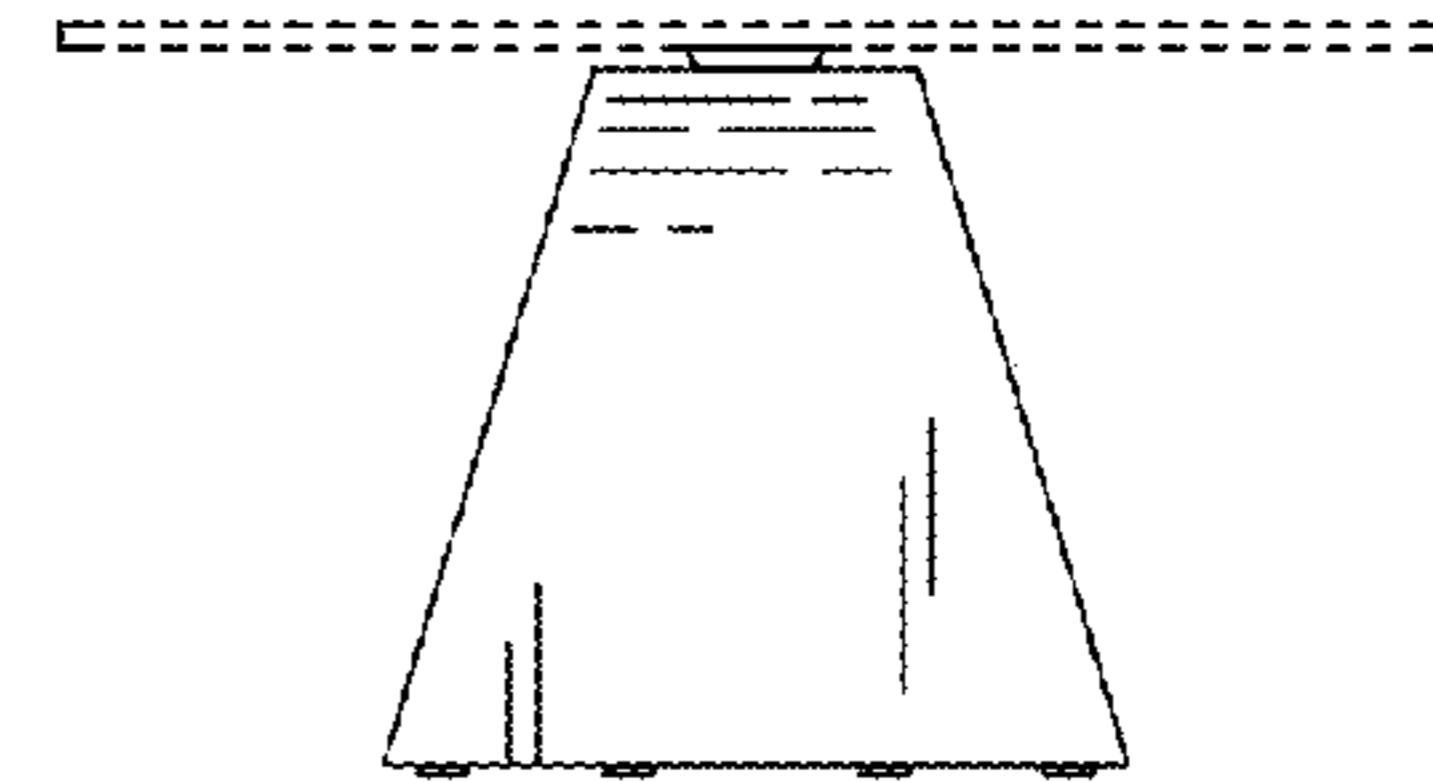


Fig. 11

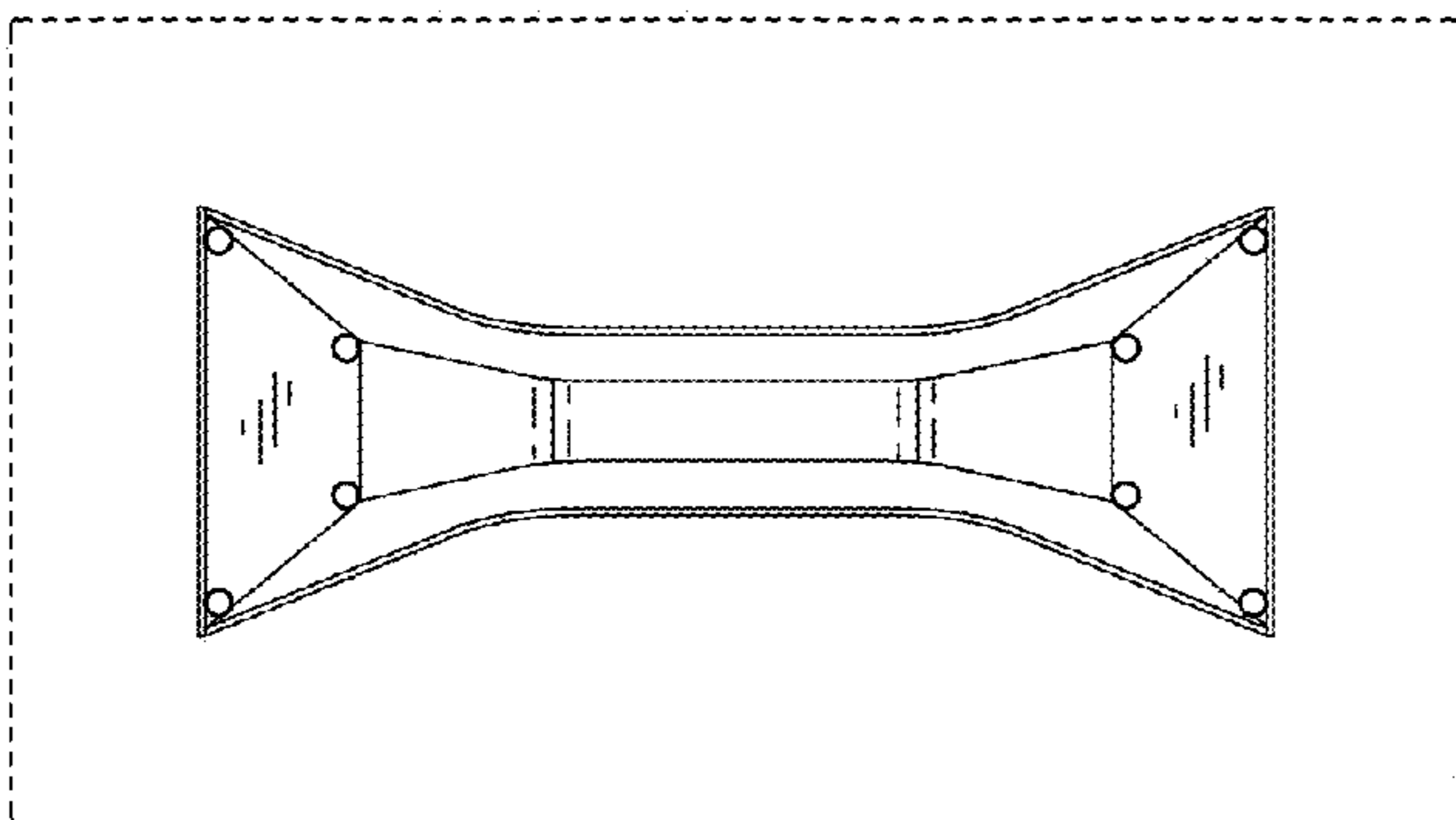


Fig. 12

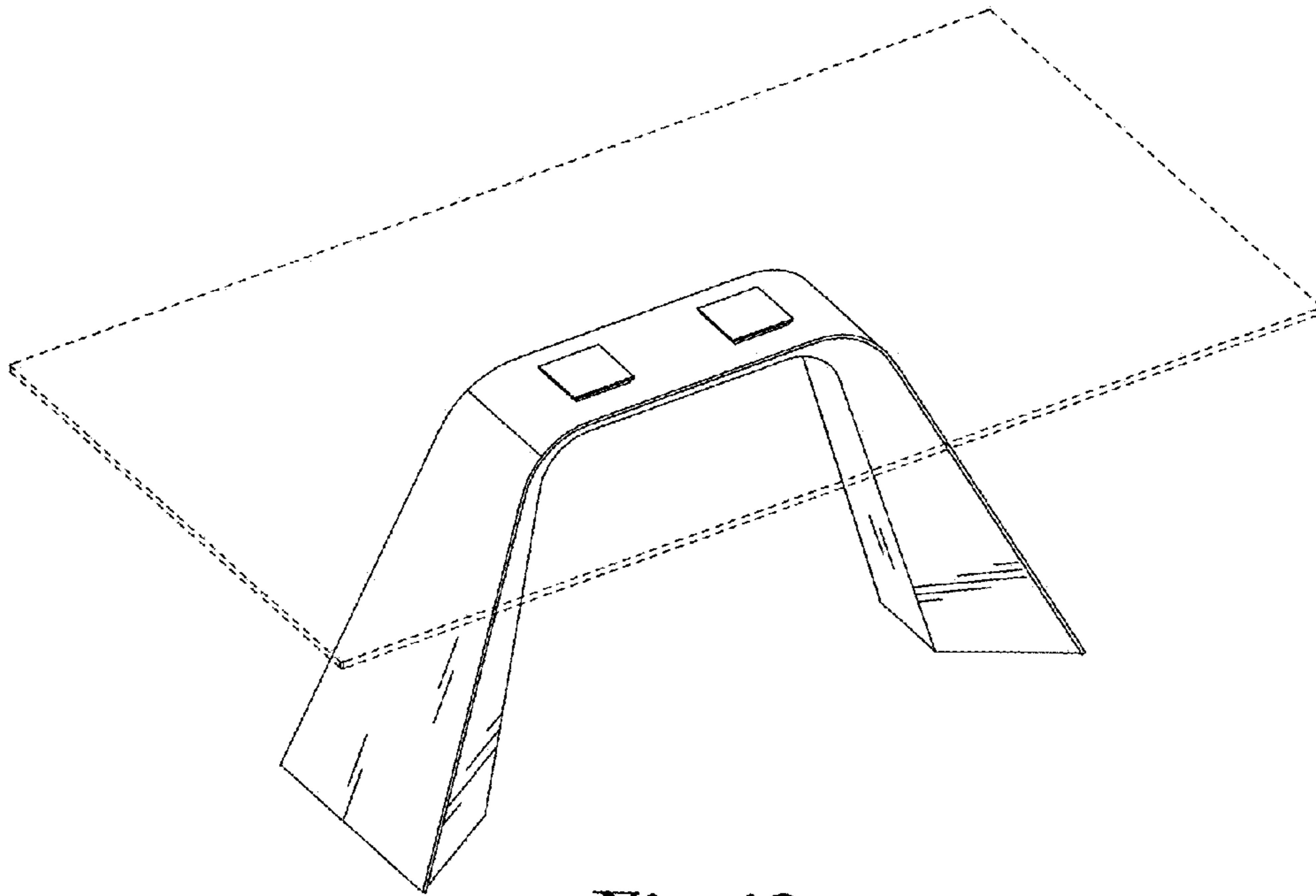


Fig. 13

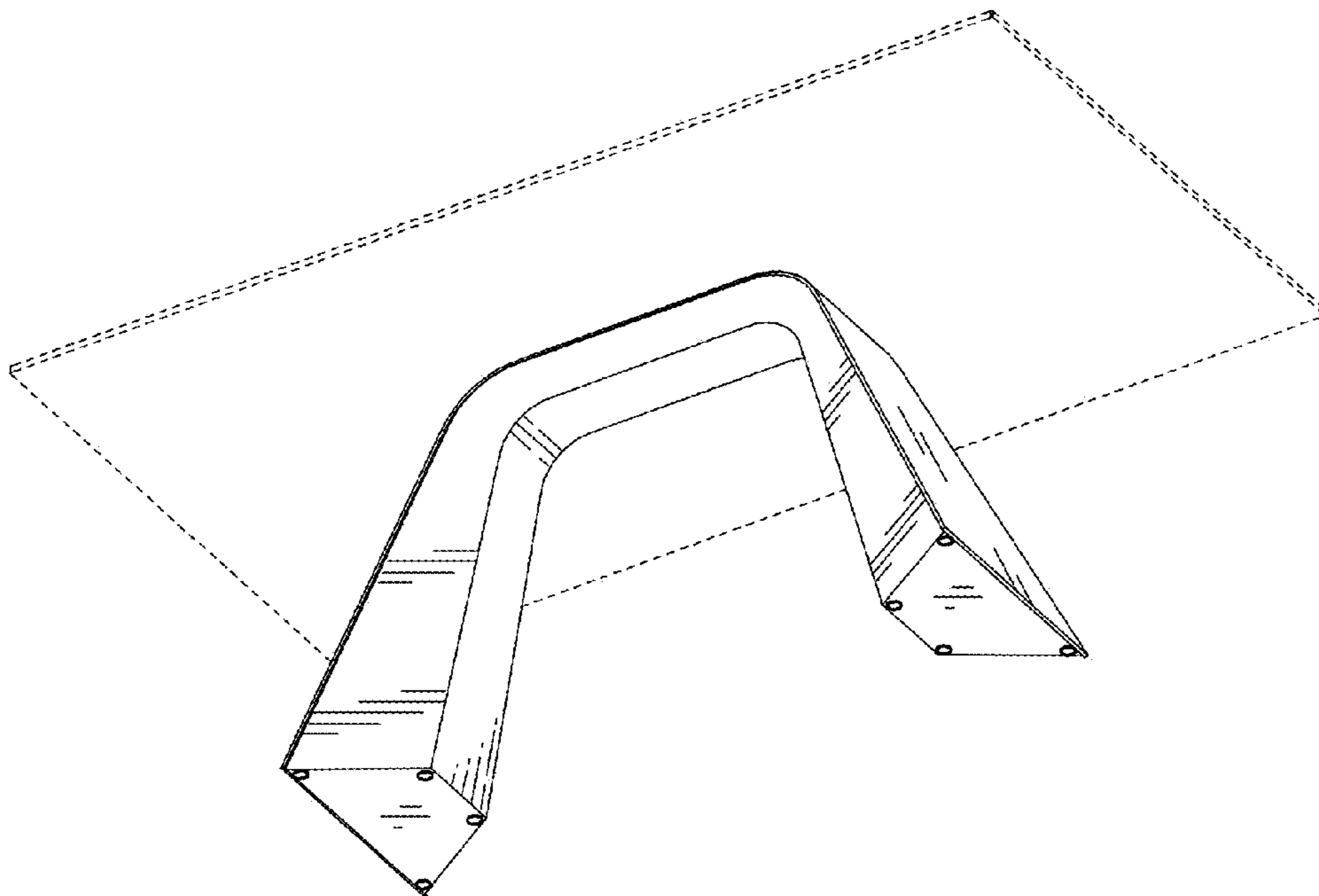


Fig. 14

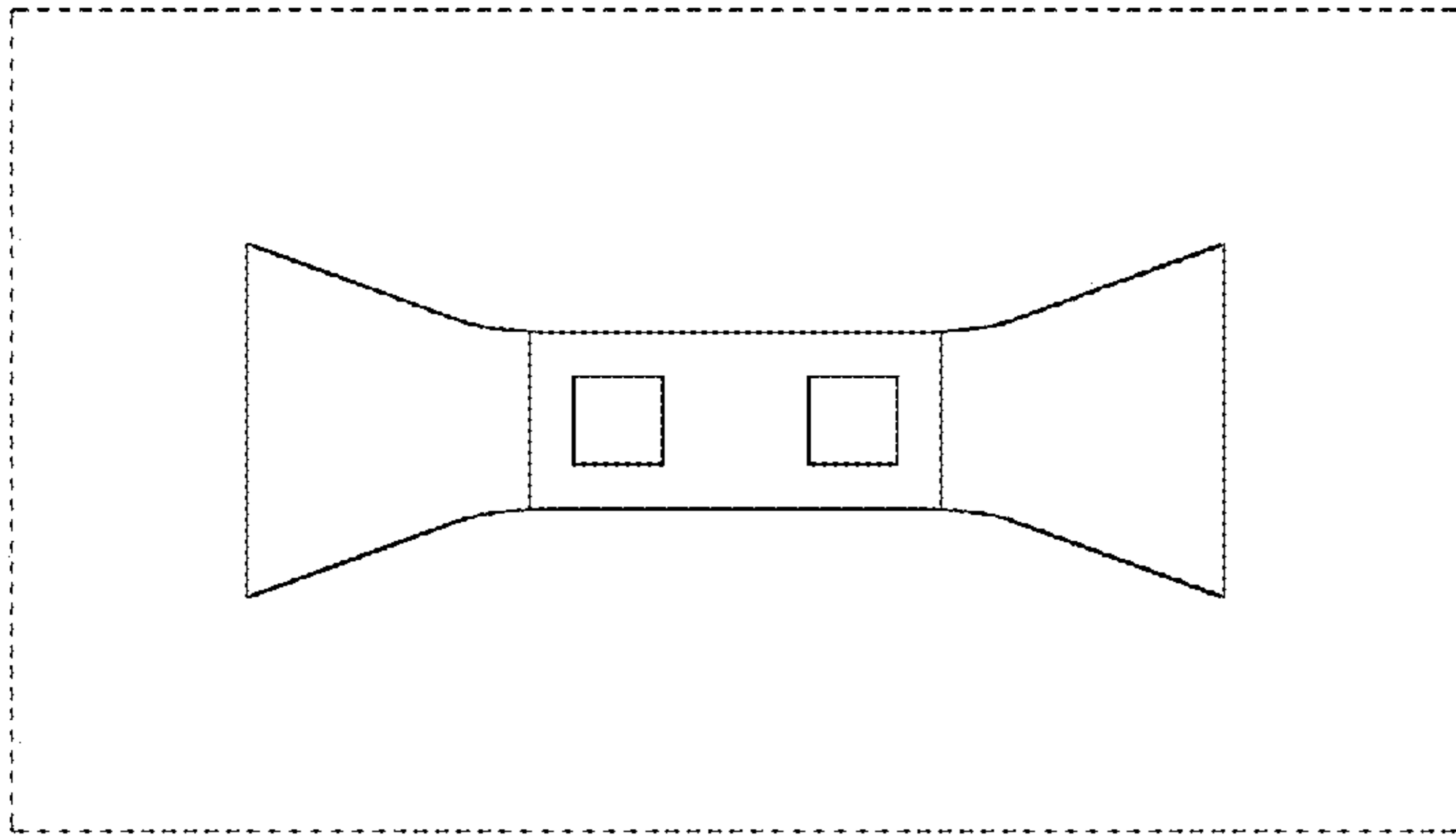


Fig. 15

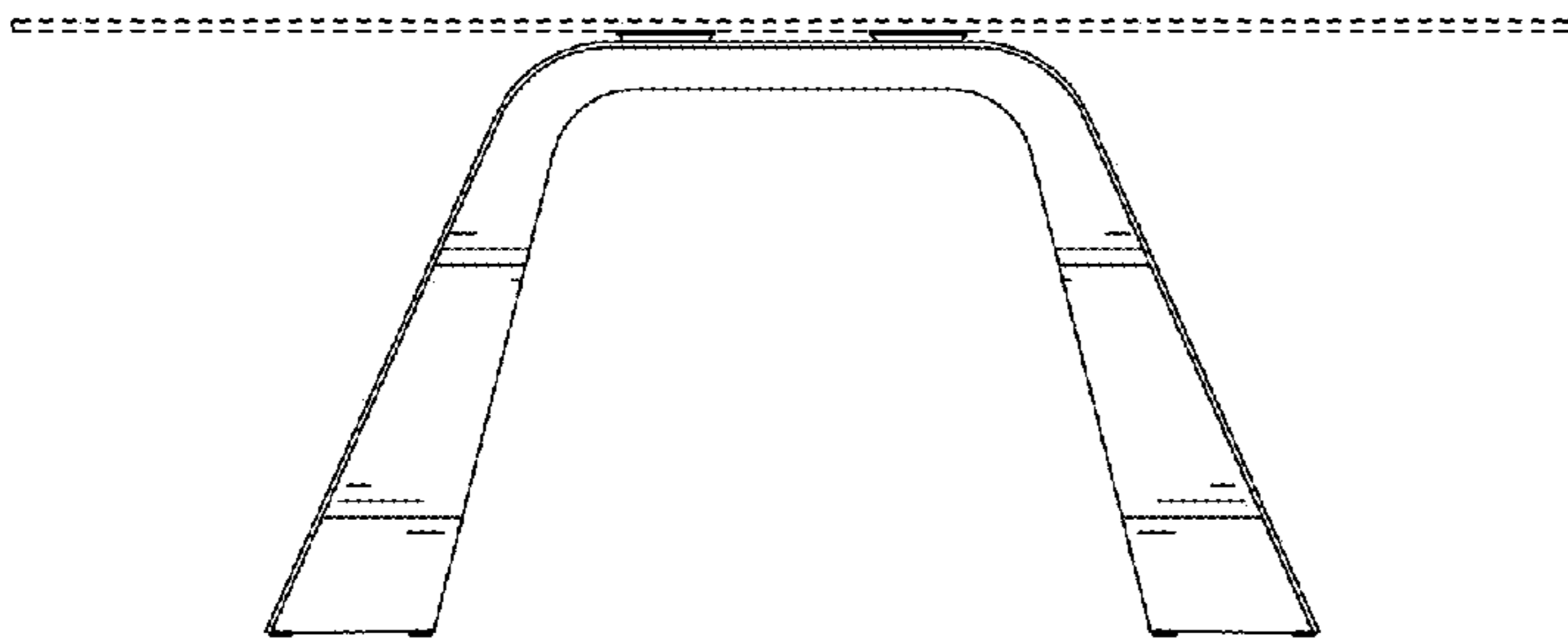


Fig. 16

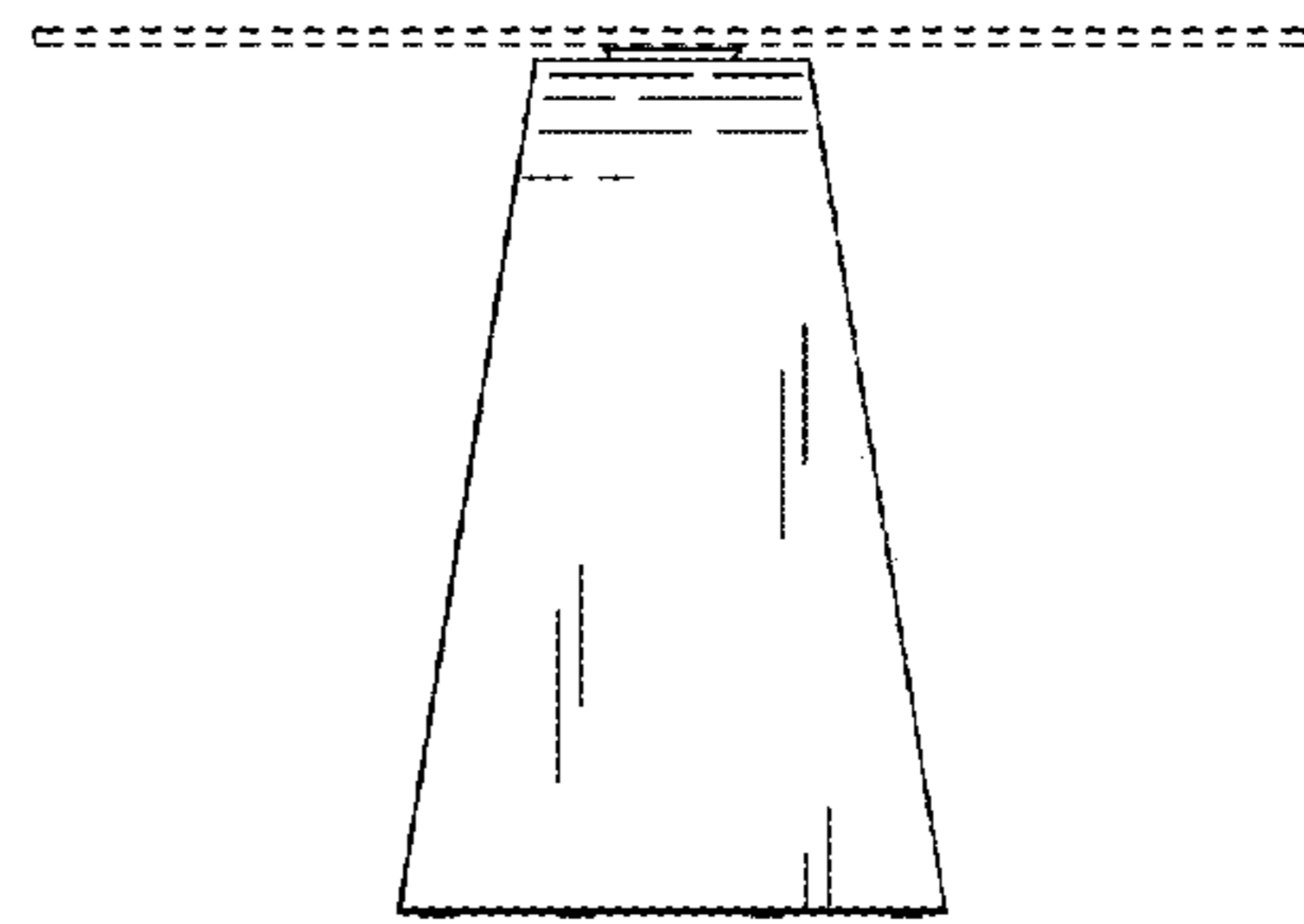


Fig. 17

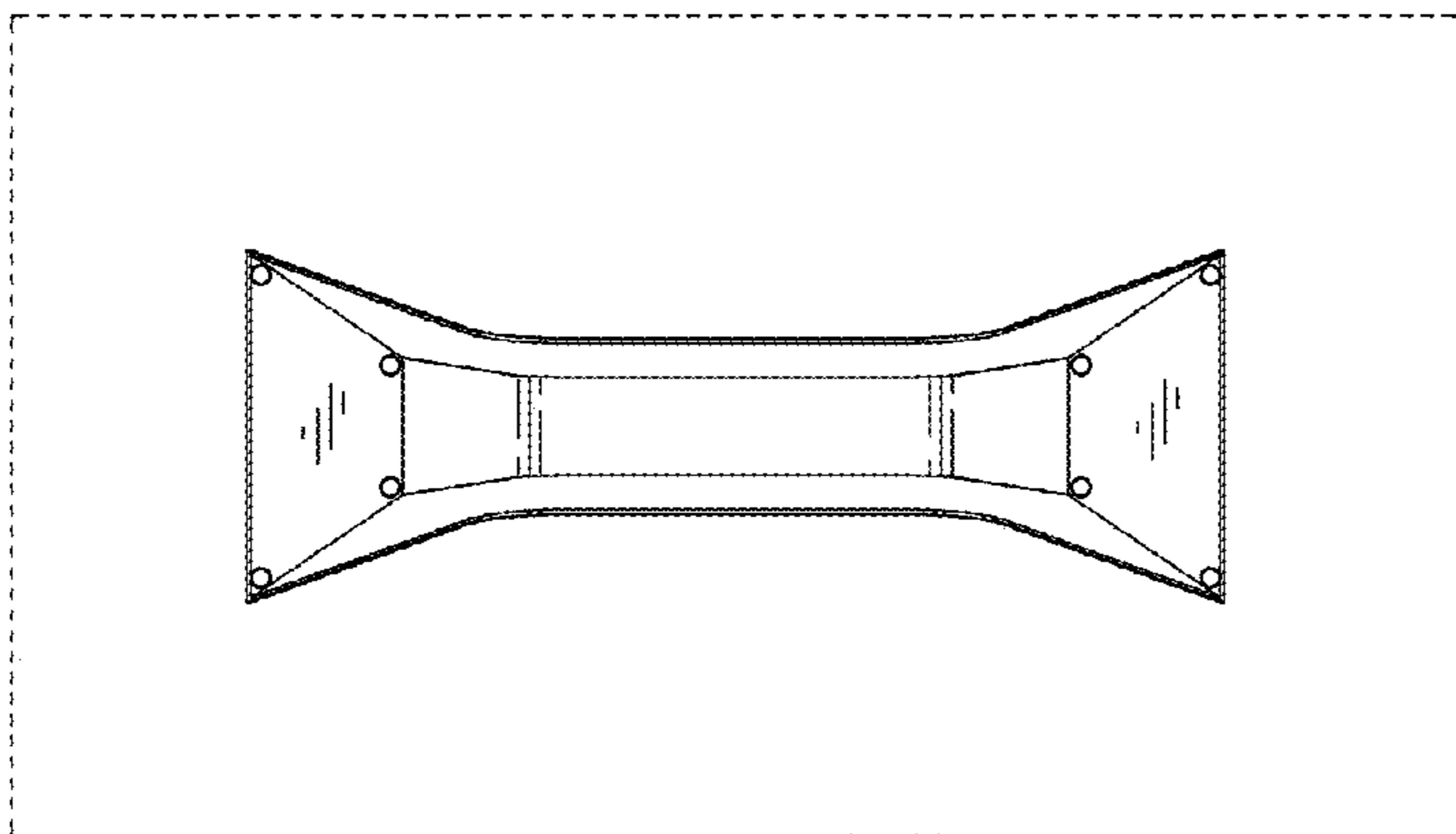


Fig. 18