



US00D716591S

(12) **United States Design Patent**  
**Ma et al.**

(10) **Patent No.:** **US D716,591 S**

(45) **Date of Patent:** **\*\* Nov. 4, 2014**

(54) **PRODUCT DISPLAY**

(71) Applicants: **Benjamin Ma**, Arcadia, CA (US);  
**Corrine Sheldrake**, Winchester, CA (US)

(72) Inventors: **Benjamin Ma**, Arcadia, CA (US);  
**Corrine Sheldrake**, Winchester, CA (US)

(73) Assignee: **Treasure Garden, Inc.**, Baldwin Park, CA (US)

(\*\*) Term: **14 Years**

(21) Appl. No.: **29/484,959**

(22) Filed: **Mar. 14, 2014**

(51) **LOC (10) Cl.** ..... **06-06**

(52) **U.S. Cl.**  
USPC ..... **D6/677.5**

(58) **Field of Classification Search**  
USPC ..... D7/306–307, 388, 397, 600.1; D6/449,  
D6/455, 466, 485, 495, 677, 677.1–677.2,  
D6/677.5; D9/455; 220/738, 491; 215/10,  
215/398

See application file for complete search history.

(56) **References Cited**

U.S. PATENT DOCUMENTS

D192,189 S *	2/1962	McMasters	.....	D8/358
D204,389 S *	4/1966	Rhame	.....	D6/466
D335,983 S *	6/1993	Gutgsell	.....	D6/495
D452,414 S *	12/2001	Miller	.....	D7/397
D541,564 S *	5/2007	Snell	.....	D6/520
D625,570 S *	10/2010	Melocchi	.....	D7/704
D627,988 S *	11/2010	Chapman et al.	.....	D6/462

D636,639 S *	4/2011	Chen	.....	D7/600.1
D637,042 S *	5/2011	Chen	.....	D7/600.1
D647,727 S *	11/2011	Roberts et al.	.....	D6/455
D673,792 S *	1/2013	Hertaus	.....	D6/407
D688,919 S *	9/2013	Tiemann	.....	D7/600.4
D693,162 S *	11/2013	Polidoros	.....	D6/708.16
D696,880 S *	1/2014	Garcia	.....	D6/677.5
D696,908 S *	1/2014	Hsu	.....	D7/600.1
D698,606 S *	2/2014	Tsai	.....	D7/600.2
D699,046 S *	2/2014	Goodman	.....	D6/521

\* cited by examiner

*Primary Examiner* — Kelley Donnelly

(74) *Attorney, Agent, or Firm* — Knobbe Martens Olson & Bear, LLP

(57) **CLAIM**

The ornamental design for a product display, as shown and described.

**DESCRIPTION**

FIG. 1 is a top perspective view of a product display showing our new design;

FIG. 2 is a right-side view thereof, the left-side, front elevational, and rear elevational views thereof being identical to the right-side view thereof;

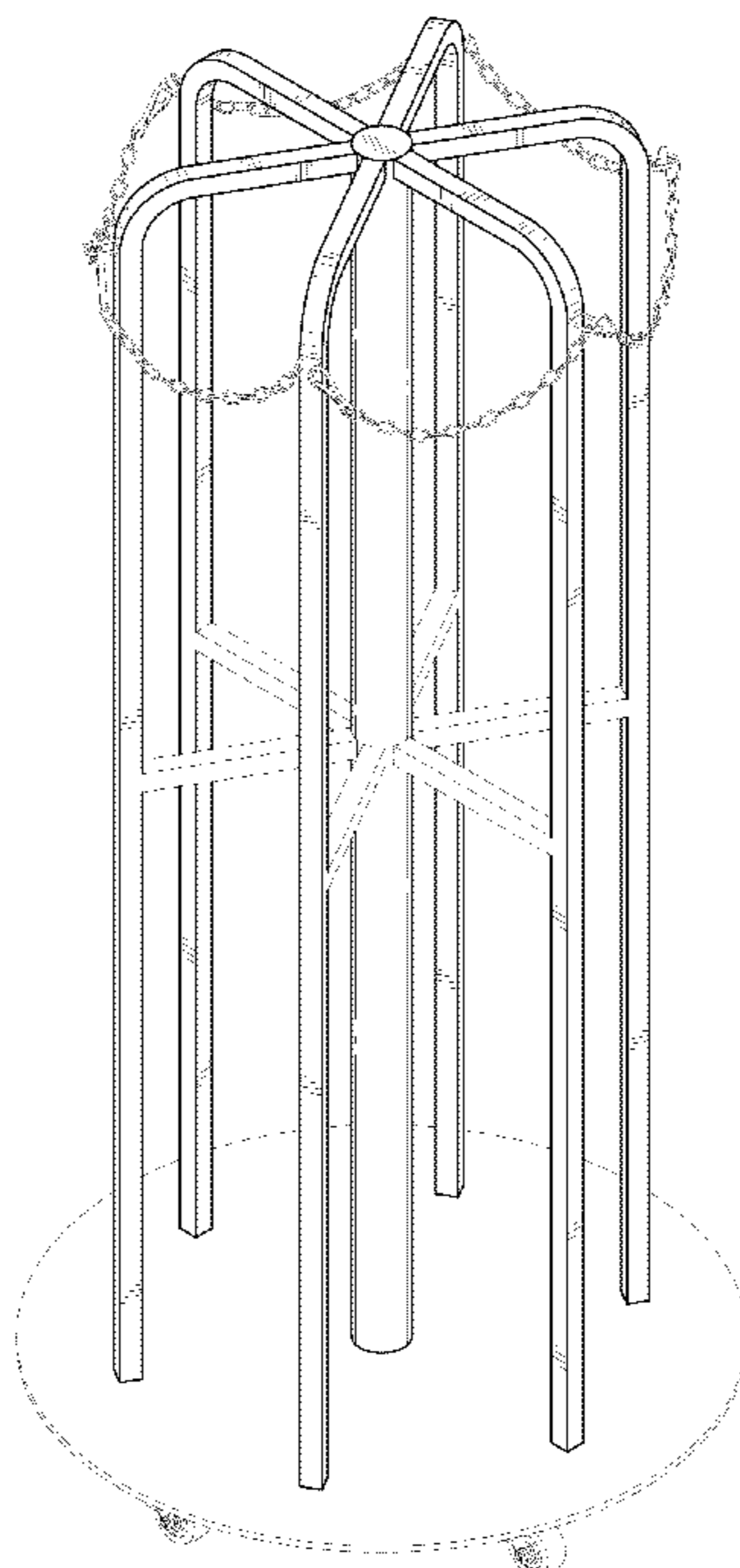
FIG. 3 is a top plan view thereof;

FIG. 4 is the top perspective view of FIG. 1 of the product display showing non-limiting articles that can be used with the display (e.g., carpet rolls) in broken lines; and,

FIG. 5 is the top plan view of FIG. 3 of the product display showing non-limiting articles that can be used with the display (e.g., carpet rolls) in broken lines.

The broken lines in the Figures shown portions of the product display which form no part of the claimed design.

**1 Claim, 5 Drawing Sheets**



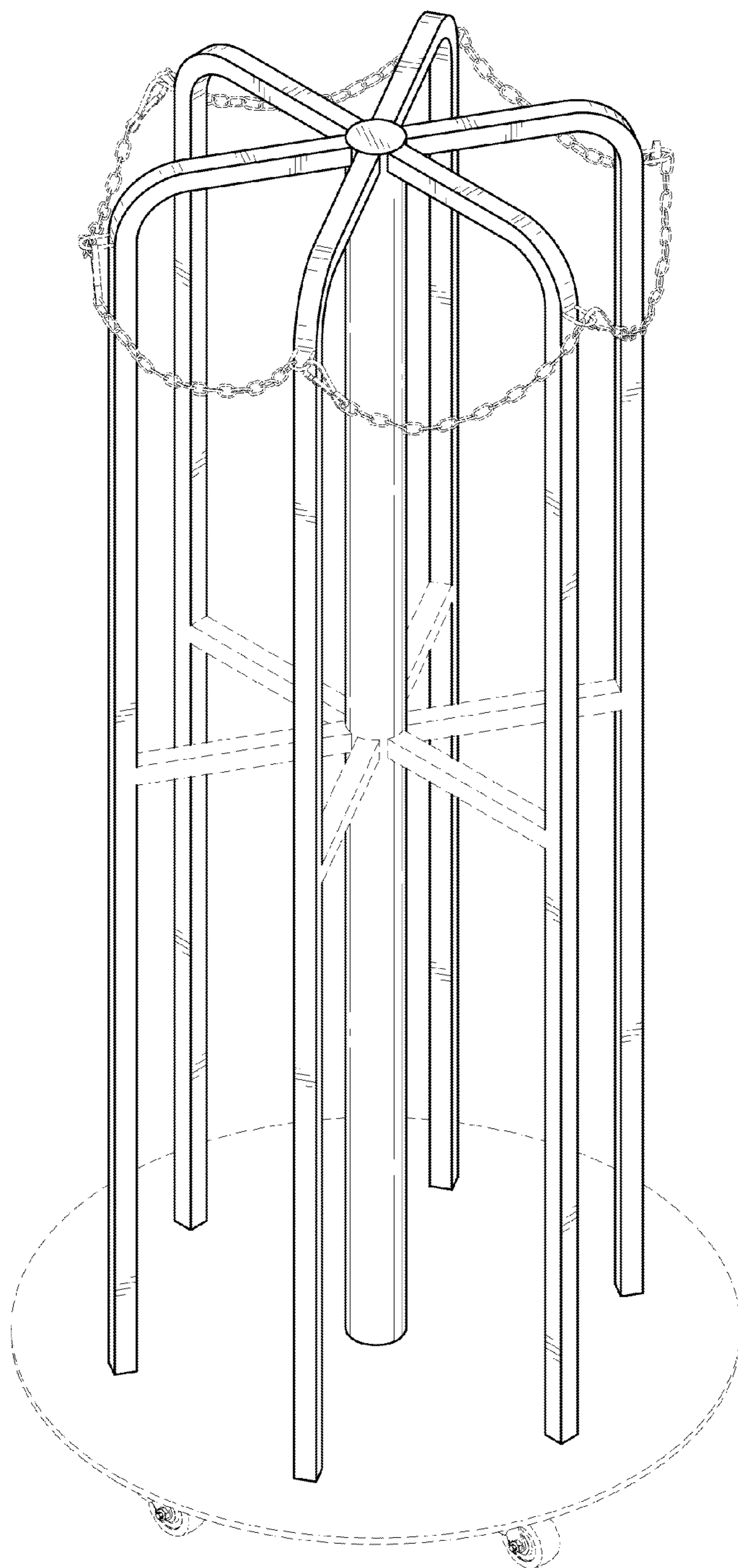


FIG. 1

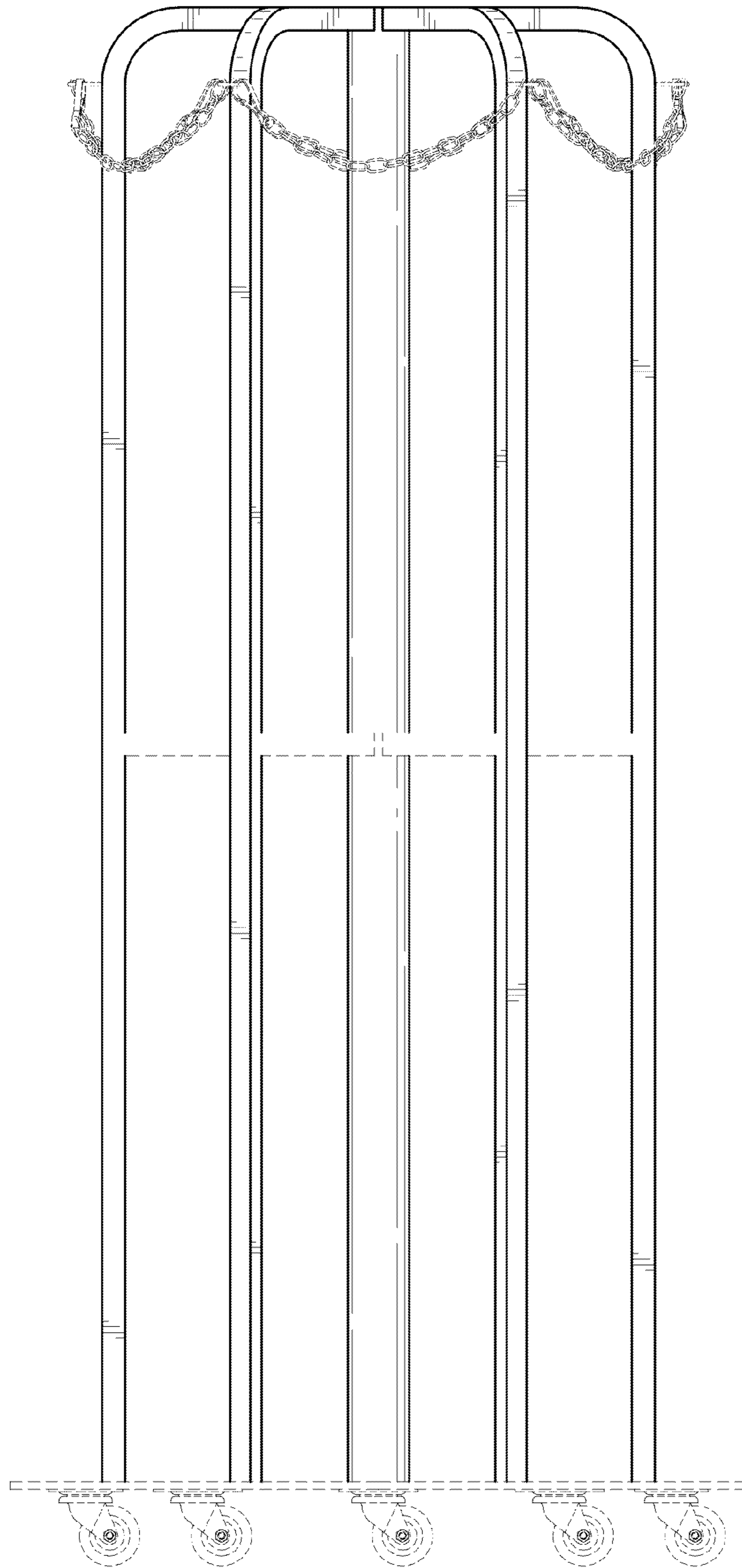


FIG. 2

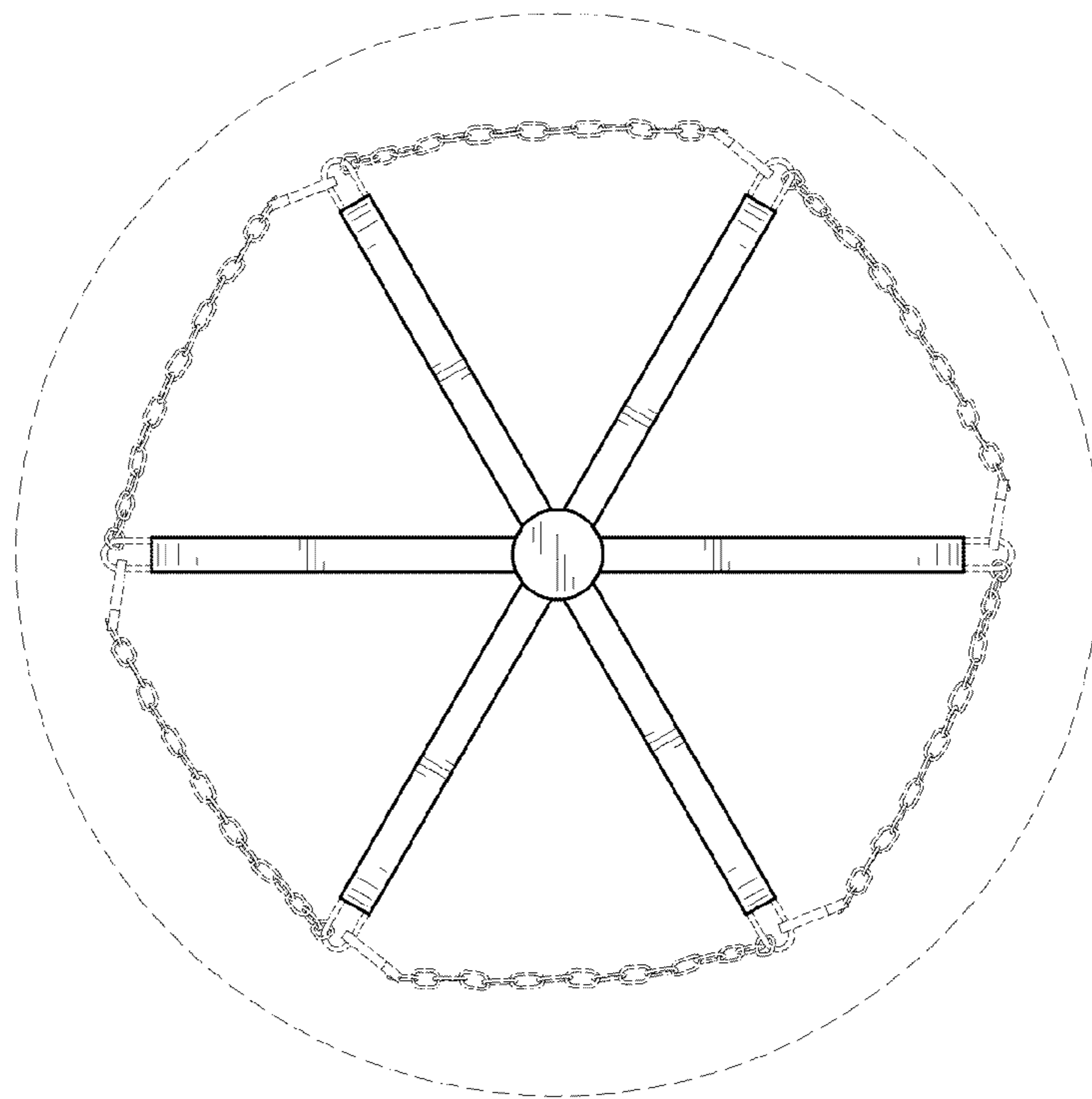


FIG. 3



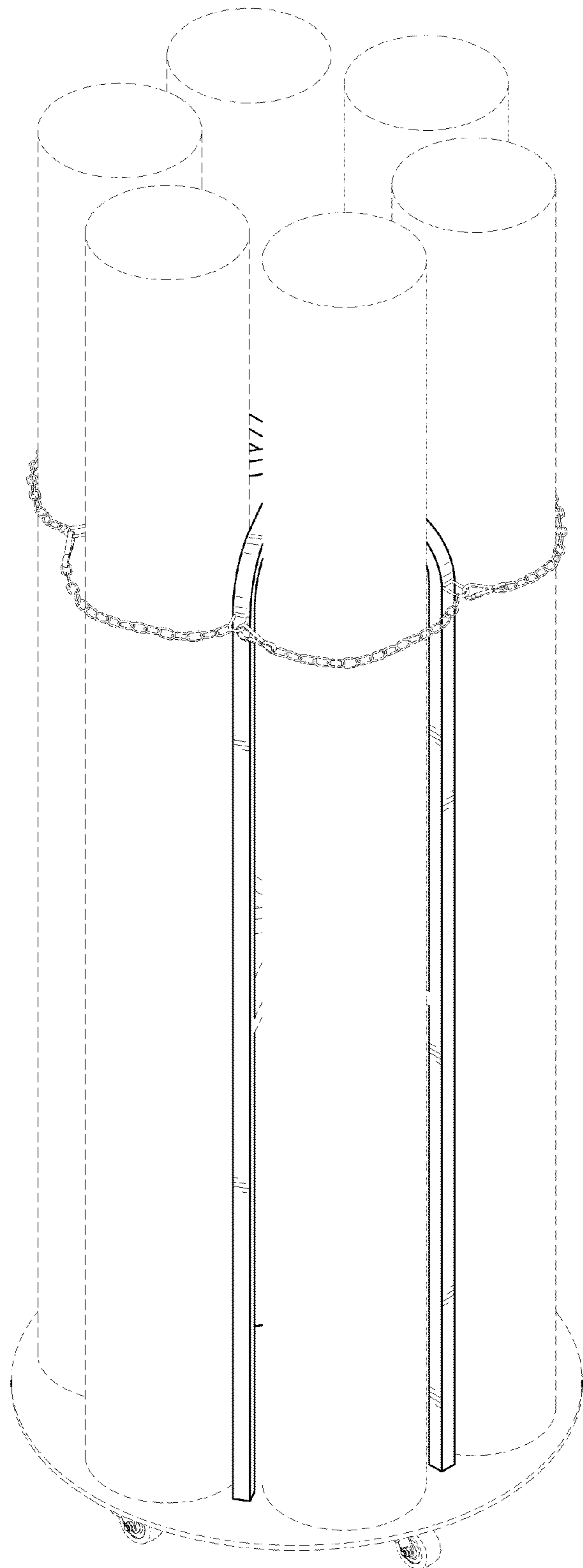


FIG. 4

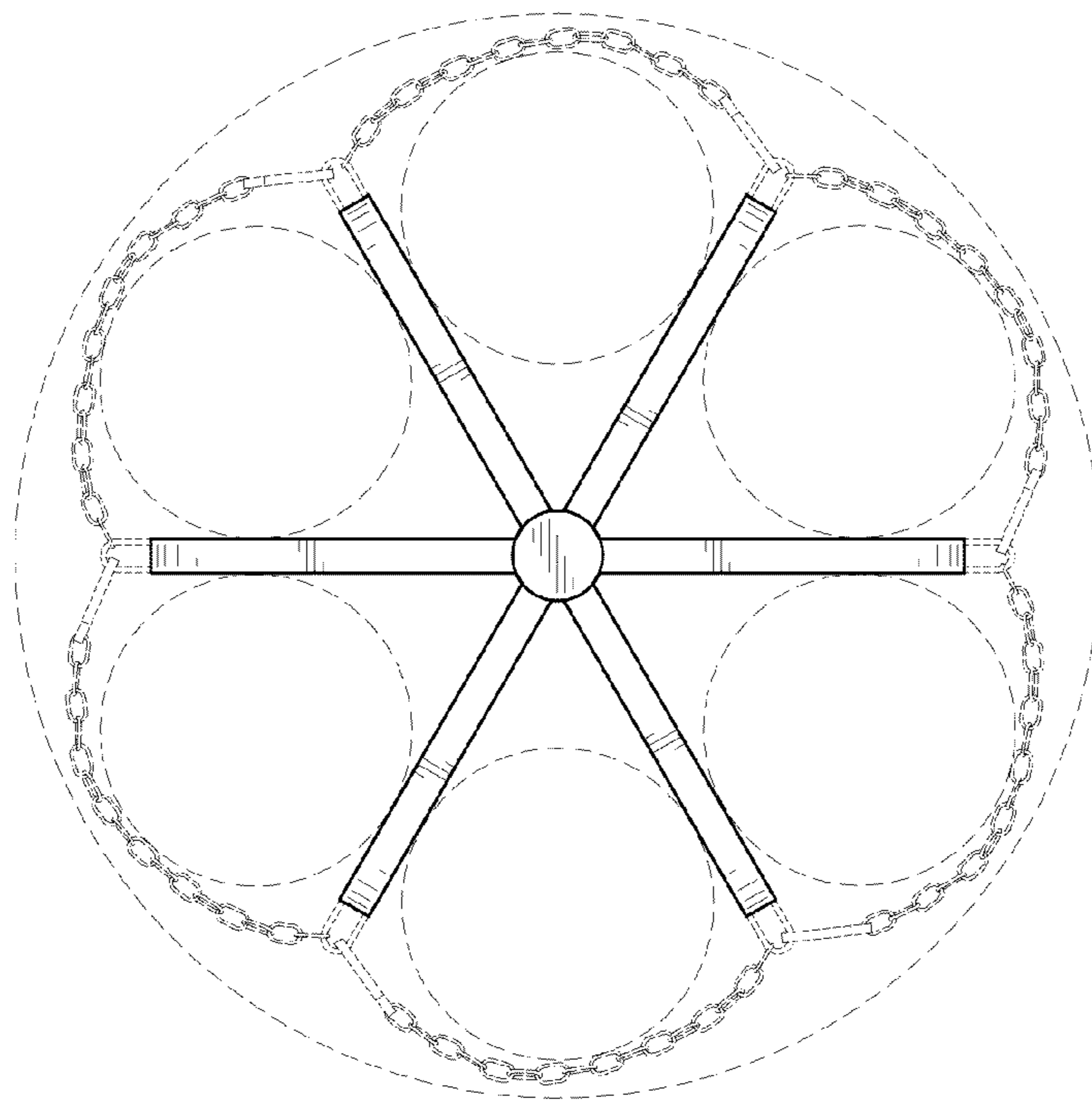


FIG. 5