



US00D716589S

(12) **United States Design Patent**
Sterling

(10) **Patent No.:** **US D716,589 S**

(45) **Date of Patent:** **** Nov. 4, 2014**

(54) **SHELF FOR A LOCKER**

D579,237 S * 10/2008 GUSDORF D6/462
D586,157 S * 2/2009 ABATE ET AL. D6/495
D624,922 S * 10/2010 HUI ET AL. D14/447

(71) Applicant: **Lamrite West Inc.**, Strongsville, OH
(US)

* cited by examiner

(72) Inventor: **Christi Sterling**, Plano, TX (US)

Primary Examiner — Kelley Donnelly

(73) Assignee: **Lamrite West Inc.**, Strongsville, OH
(US)

(74) *Attorney, Agent, or Firm* — Greenberg Traurig, LLP

(**) Term: **14 Years**

(57) **CLAIM**

What is claimed is the ornamental design for a shelf for a locker, as shown and described.

(21) Appl. No.: **29/484,869**

(22) Filed: **Mar. 13, 2014**

DESCRIPTION

(51) **LOC (10) Cl.** **06-06**

(52) **U.S. Cl.**
USPC **D6/675**

(58) **Field of Classification Search**
USPC D6/396, 397, 432, 449, 455, 477, 479,
D6/491, 510–511, 675; 108/53.1, 152;
211/183, 134, 153; 206/503, 505, 507,
206/509

See application file for complete search history.

FIG. 1 is a bottom front perspective view of a shelf for a locker showing the new design with supporting legs in a folded configuration;

FIG. 2 is a bottom front perspective view thereof, showing the supporting legs in an unfolded configuration;

FIG. 3 is a top front perspective view thereof;

FIG. 4 is a right side elevational view thereof;

FIG. 5 is a left side elevational view thereof;

FIG. 6 is a front side elevational view thereof;

FIG. 7 is a rear side elevational view thereof;

FIG. 8 is a top plan view thereof;

FIG. 9 is a bottom plan view thereof;

FIG. 10 is a bottom front perspective view thereof, showing extendable leaves; and,

FIG. 11 is a top front perspective view of FIG. 10.

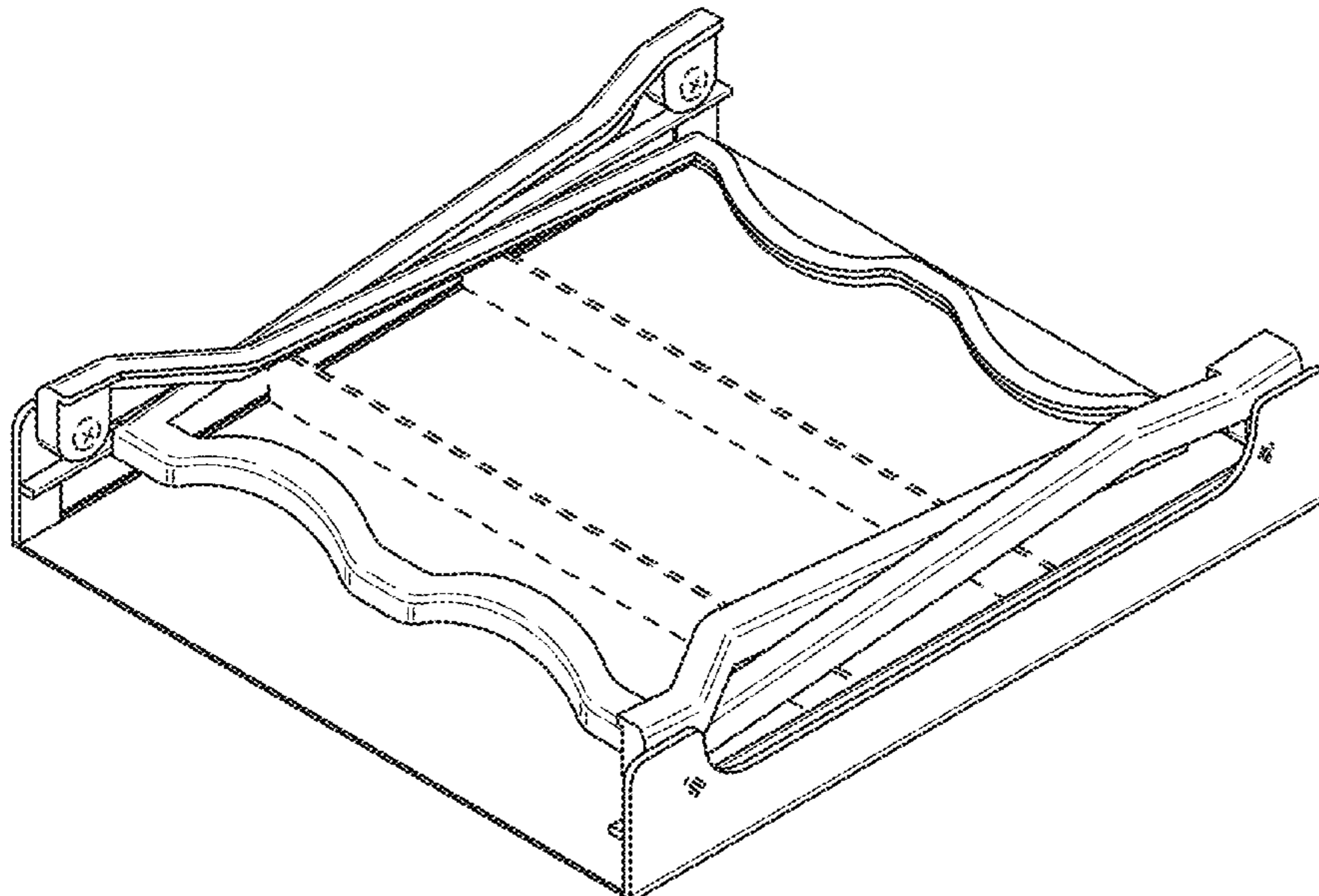
Any elements shown in dotted or dashed lines are provided for illustrative purposes only and form no part of the design claimed. Any surface shading is used solely to show the character or contour of the surfaces represented.

(56) **References Cited**

U.S. PATENT DOCUMENTS

3,538,976 A * 11/1970 Jones et al. 160/130
4,500,146 A * 2/1985 Peterson 312/257.1
D340,599 S * 10/1993 Hollington D6/484
D361,452 S * 8/1995 Neylon D6/467
D413,218 S * 8/1999 Doty D6/511
D457,752 S * 5/2002 Wood et al. D6/462
6,484,648 B1 * 11/2002 Long 108/147
D511,916 S * 11/2005 Shapiro D6/511
D522,284 S * 6/2006 Shapiro et al. D6/511

1 Claim, 11 Drawing Sheets



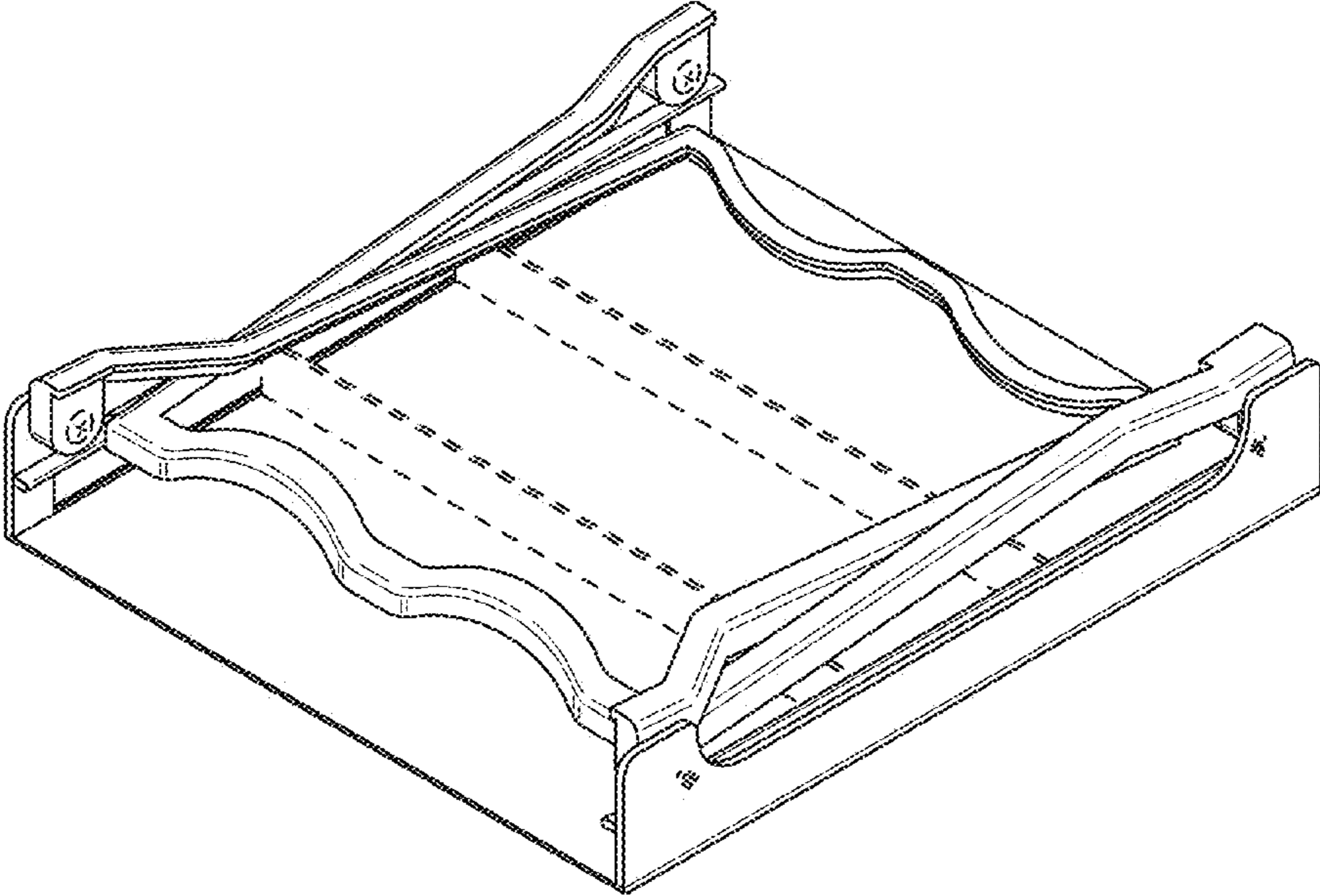


FIG. 1

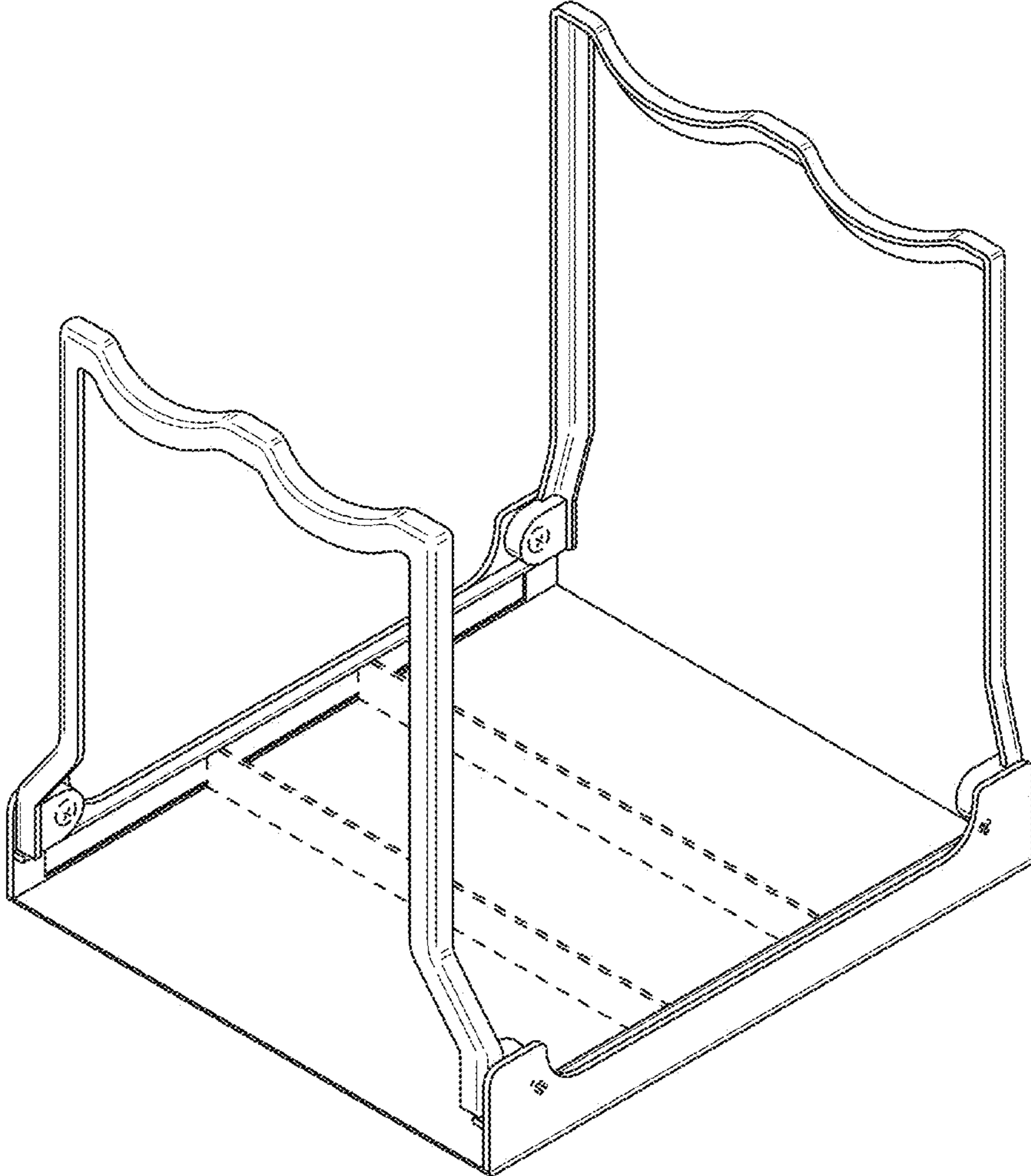


FIG. 2

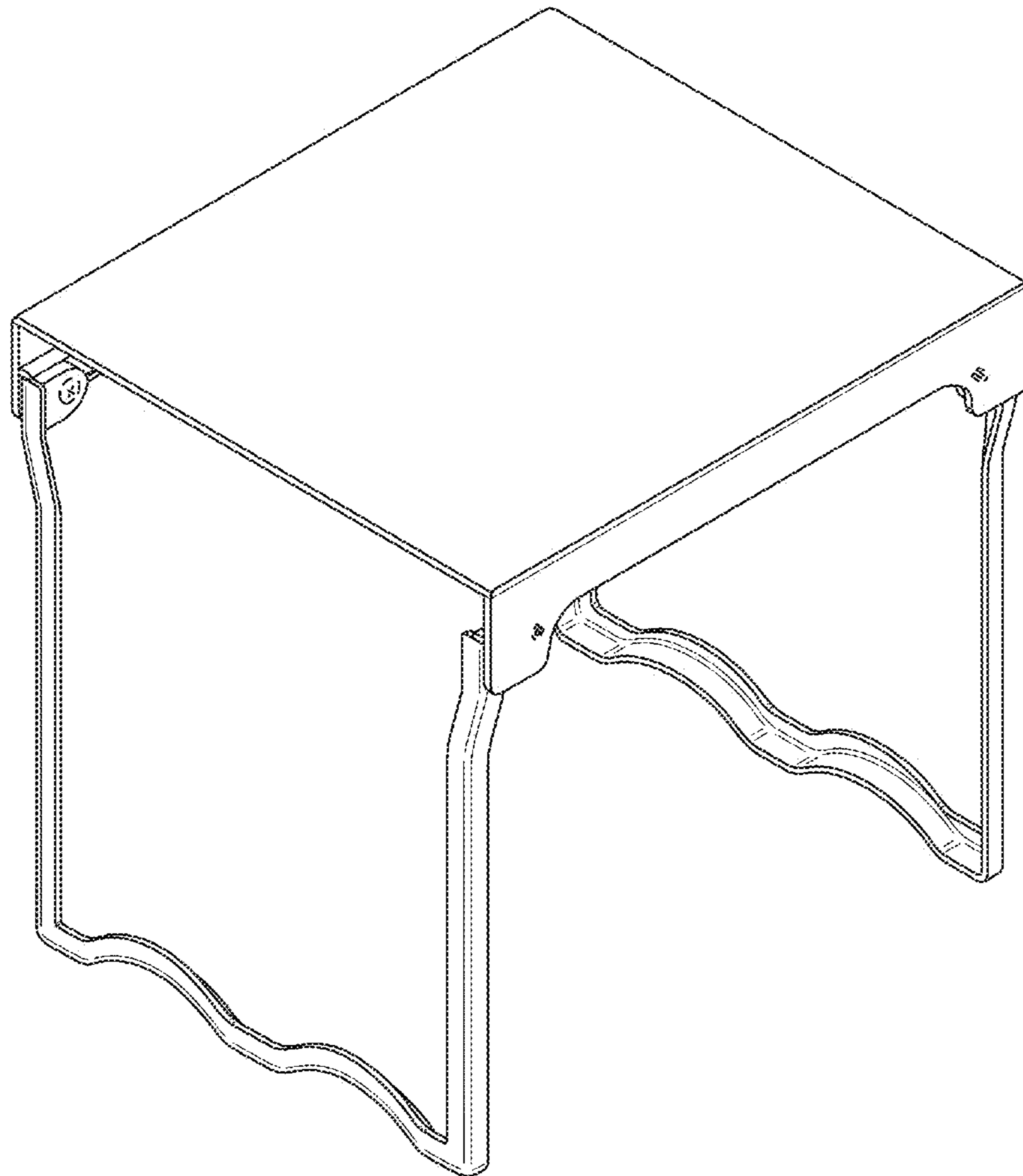


FIG. 3

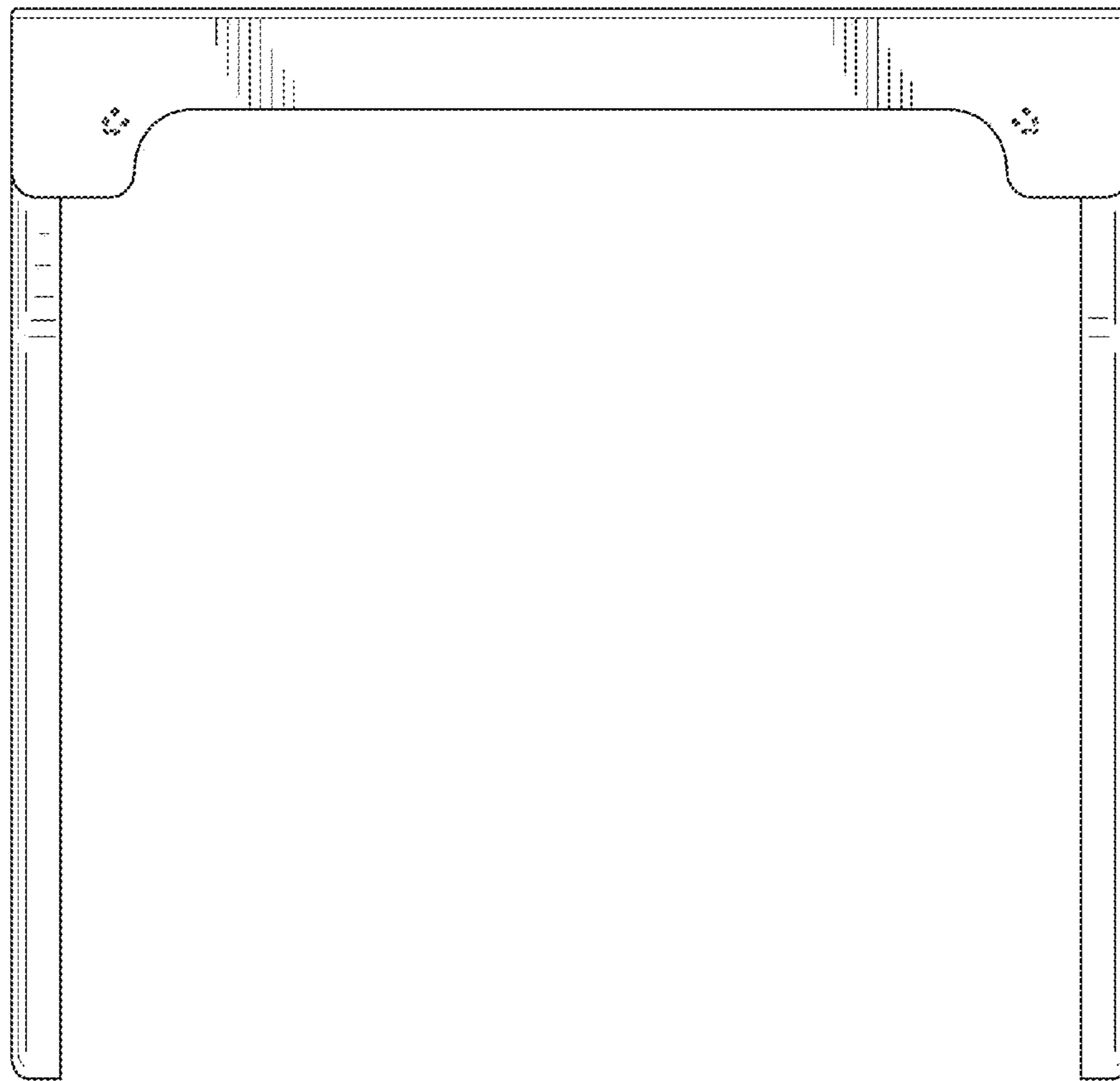


FIG. 4

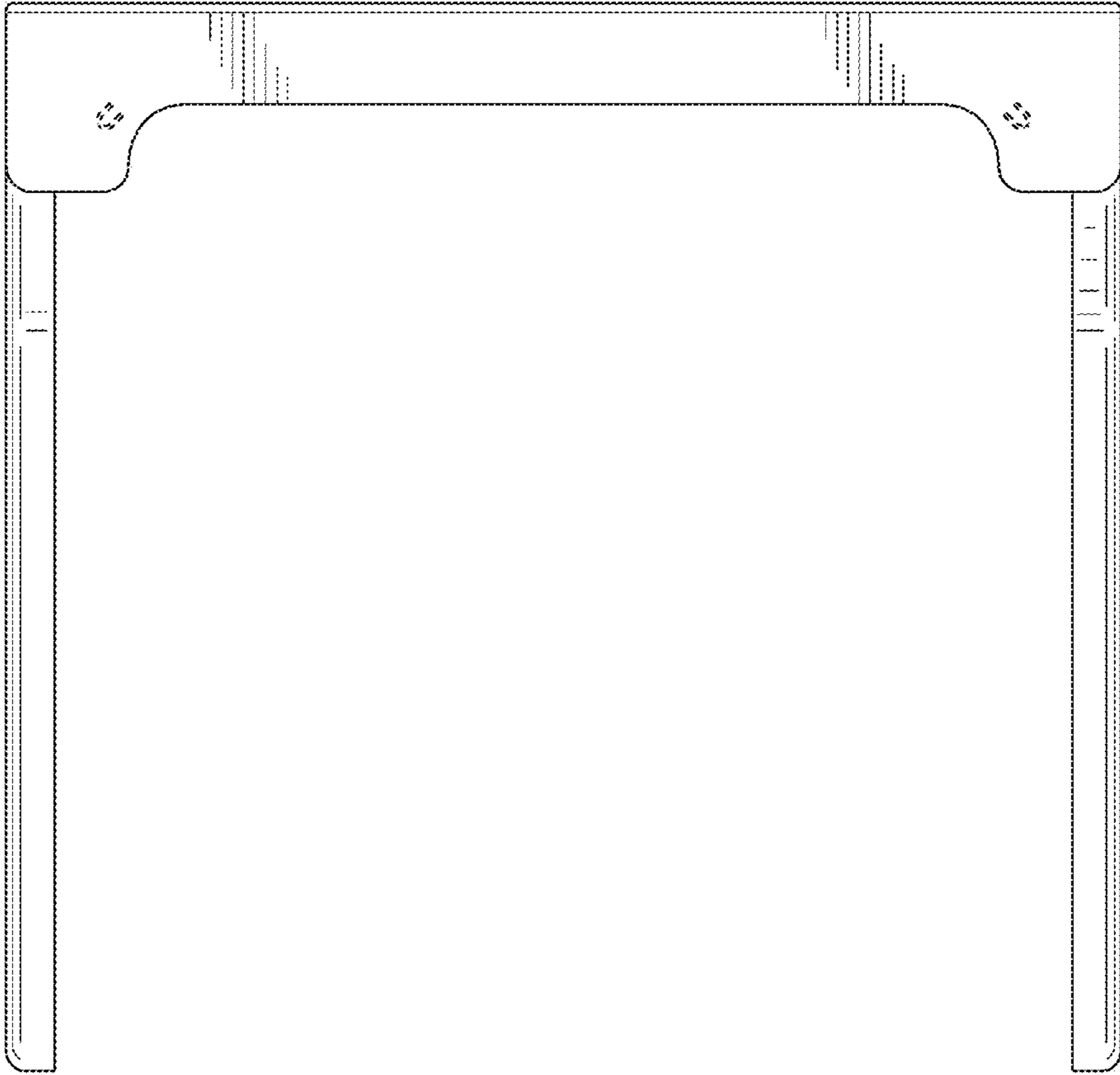


FIG. 5

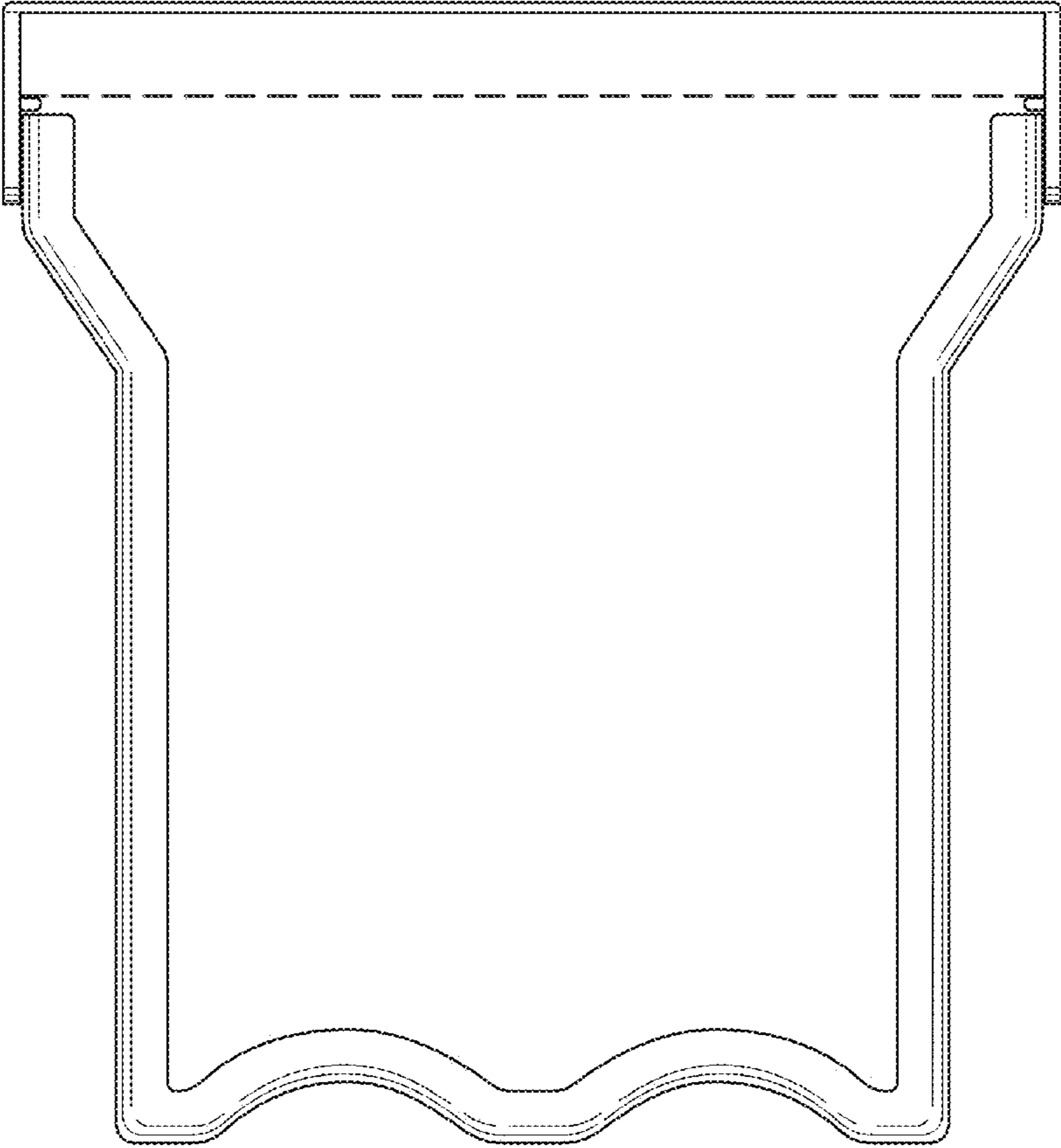


FIG. 6

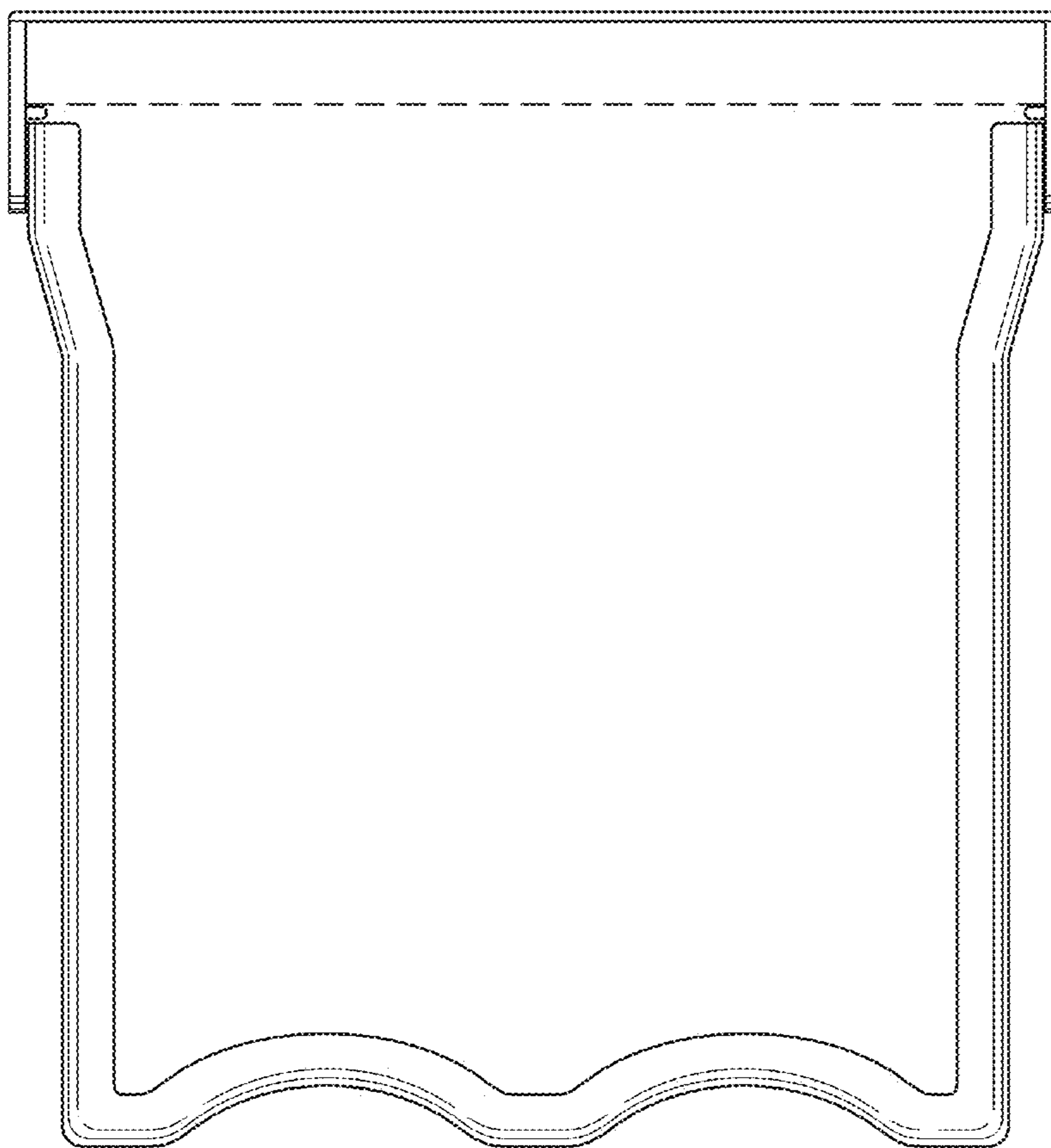


FIG. 7



FIG. 8

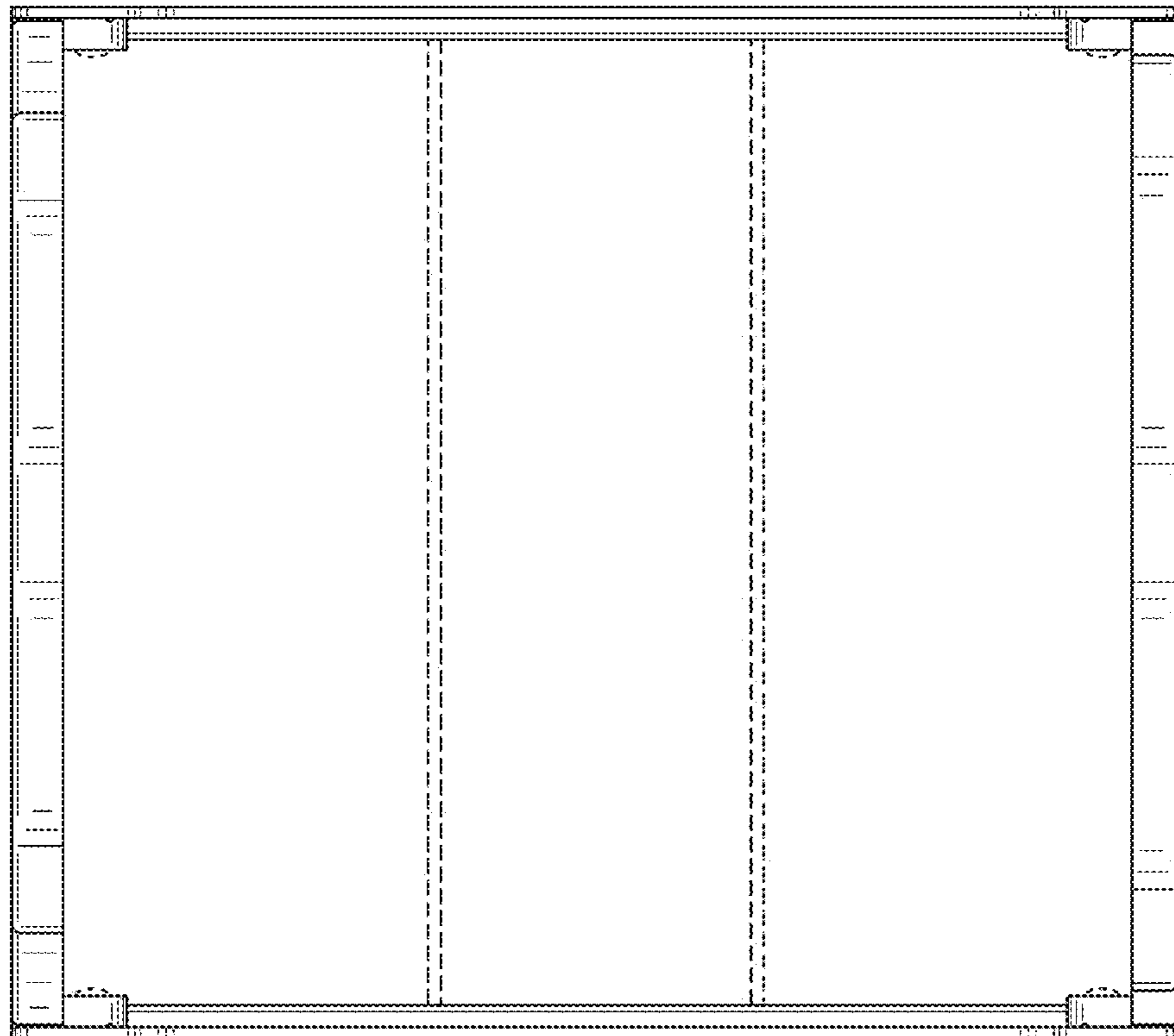


FIG. 9

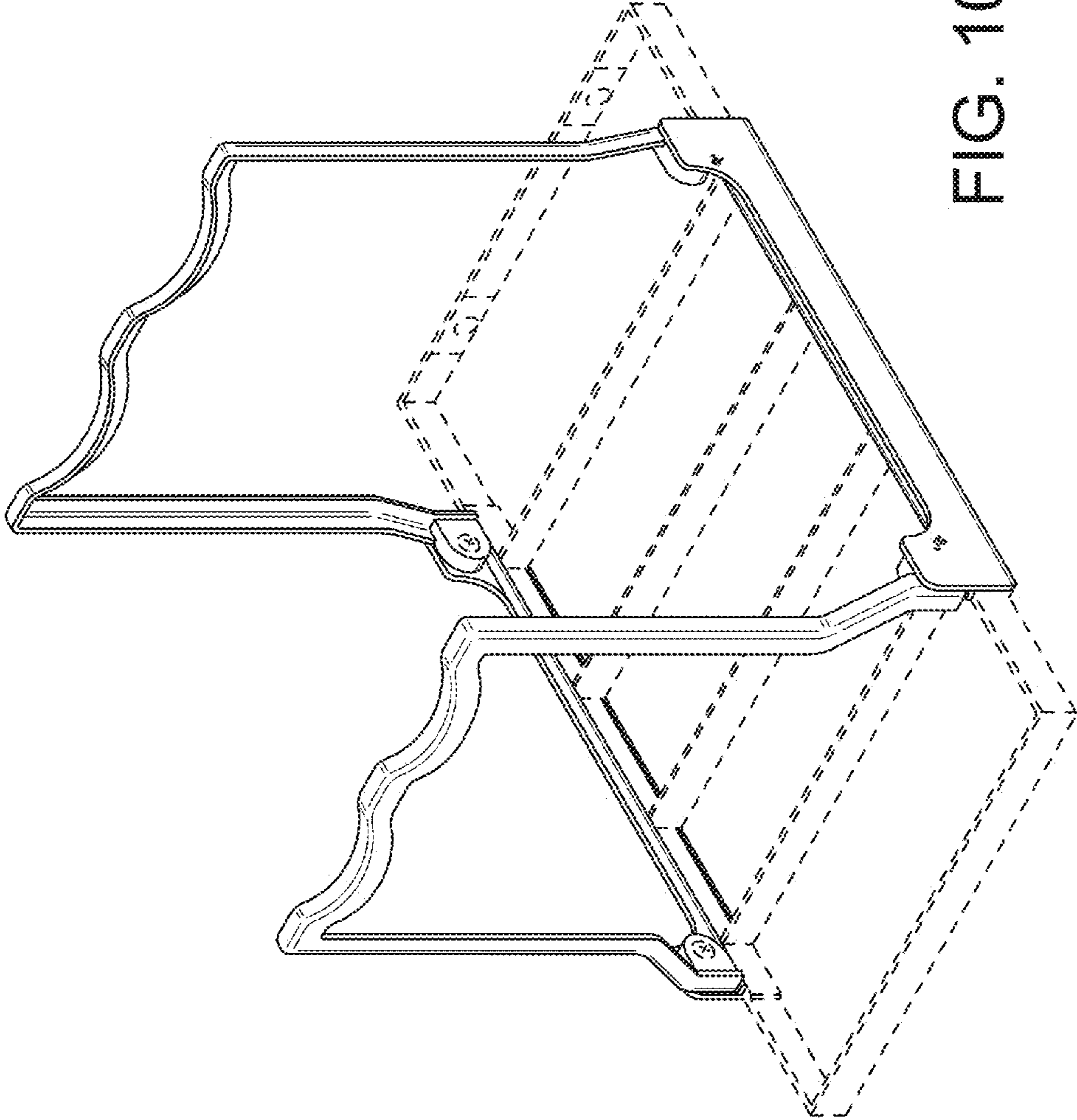


FIG. 10

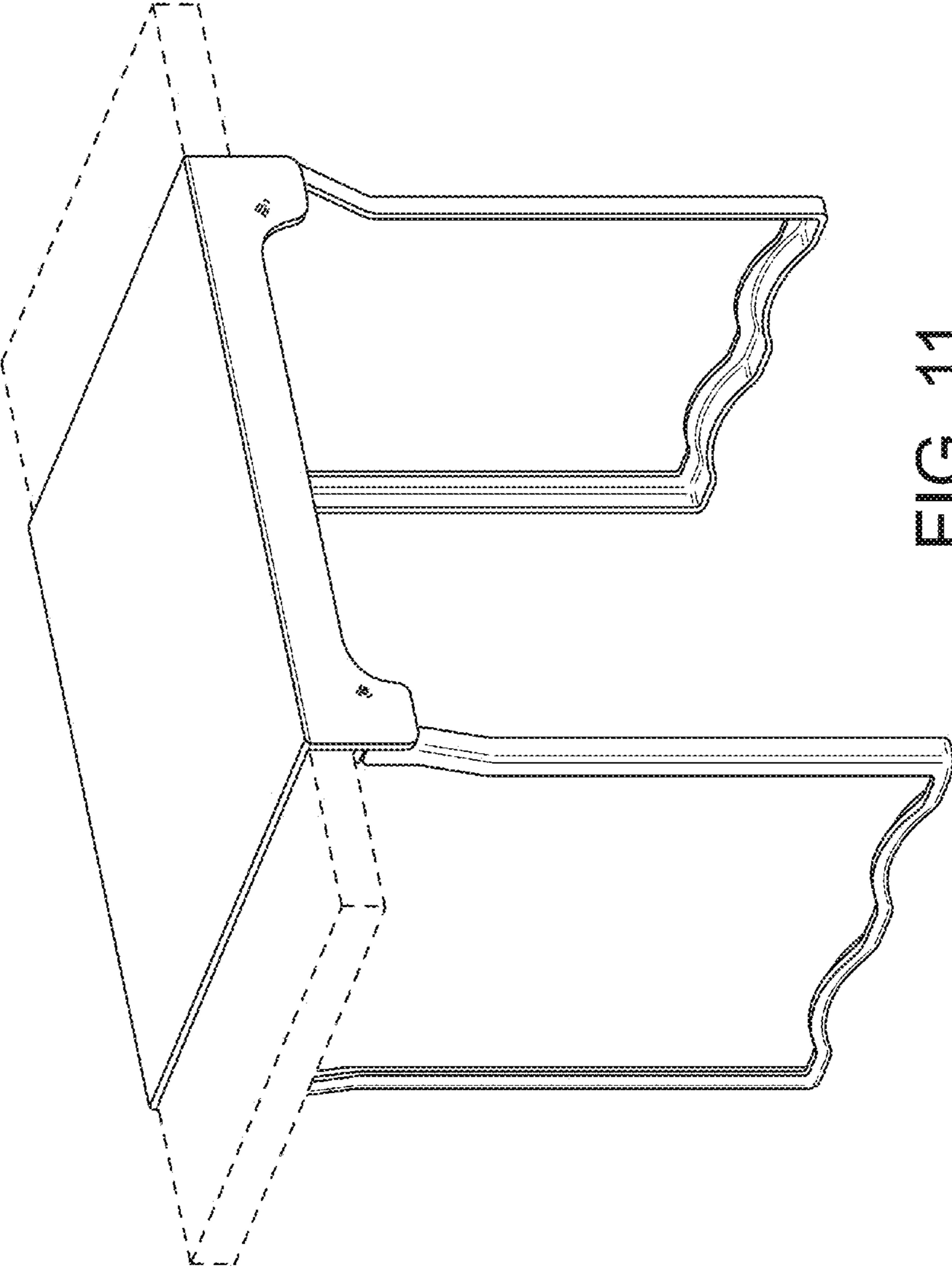


FIG. 11