



US00D716581S

(12) **United States Design Patent**
Davis

(10) **Patent No.:** **US D716,581 S**
(45) **Date of Patent:** **** Nov. 4, 2014**

(54) **WALL SHELF**

(71) Applicant: **Matthew Davis**, Lake Forest, CA (US)

(72) Inventor: **Matthew Davis**, Lake Forest, CA (US)

(**) Term: **14 Years**

(21) Appl. No.: **29/488,225**

(22) Filed: **Apr. 17, 2014**

(51) **LOC (10) Cl.** **06-04**

(52) **U.S. Cl.**
USPC **D6/574**

(58) **Field of Classification Search**
USPC D6/329, 396, 417, 552, 553, 567, 574,
D6/571; 108/152; 211/13.1, 49.1, 60.1, 64,
211/70.5, 86.01, 87.01, 88.01, 89.01,
211/181.1; 248/560, 121, 175, 200, 302,
248/304, 309.1, 310, 312

See application file for complete search history.

(56) **References Cited**

U.S. PATENT DOCUMENTS

D477,957	S	*	8/2003	Mikich et al.	D6/574
D485,109	S	*	1/2004	Oberhaus	D6/574
D501,621	S	*	2/2005	Ayers et al.	D6/574
D526,519	S	*	8/2006	Nawrocki	D6/574
D549,506	S	*	8/2007	Stacy	D6/574
D677,094	S	*	3/2013	Mansor	D6/574

* cited by examiner

Primary Examiner — Brian N Vinson

(74) *Attorney, Agent, or Firm* — Steven W. Webb

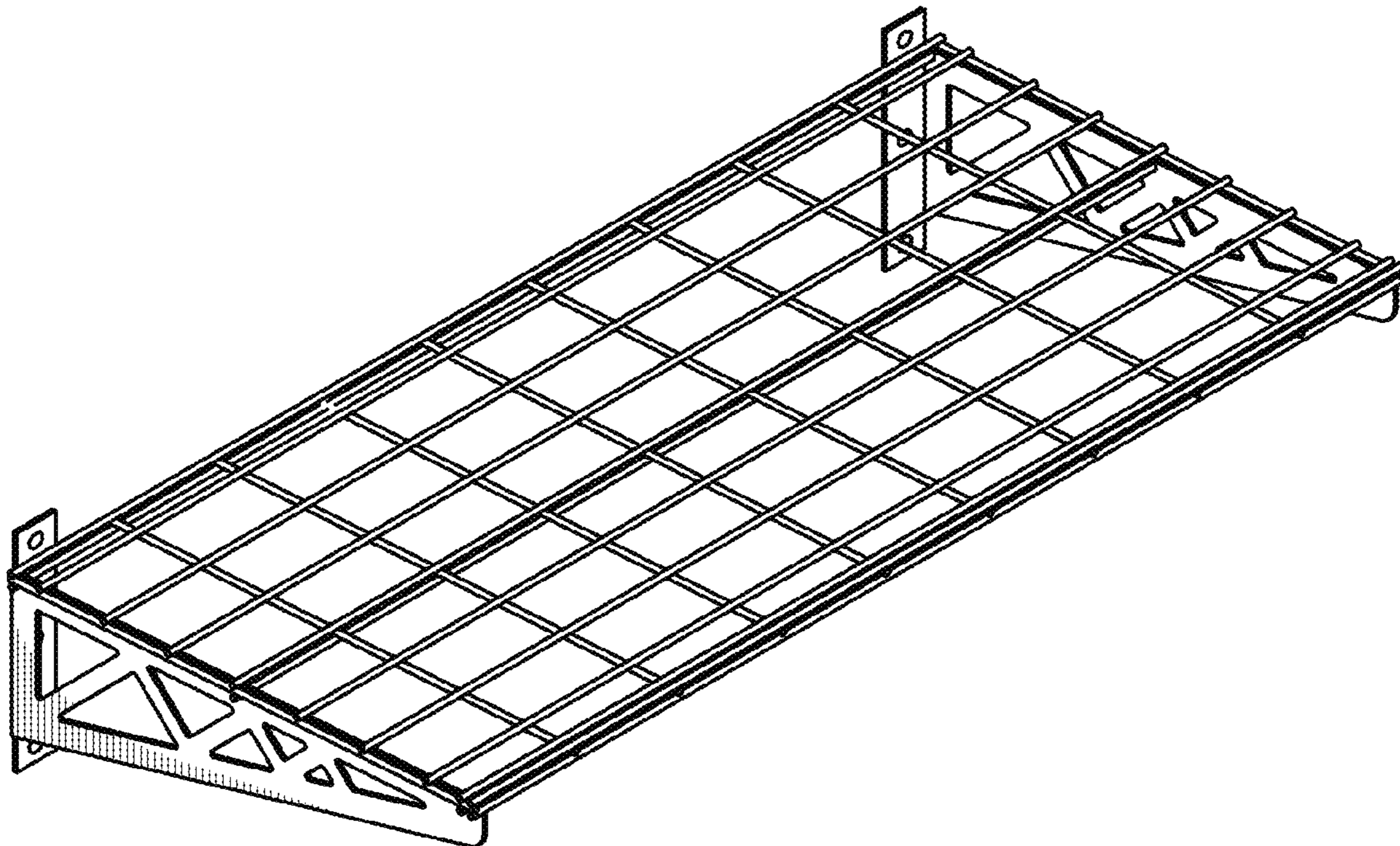
(57) **CLAIM**

I claim the ornamental design for the wall shelf, as shown and described.

DESCRIPTION

FIG. 1 is a perspective view of the wall shelf.
FIG. 2 is a top view of the wall shelf.
FIG. 3 is a side view of the wall shelf.
FIG. 4 is the other side view of the wall shelf.
FIG. 5 is the front view of the wall shelf.
FIG. 6 is the back view of the wall shelf; and,
FIG. 7 is the bottom view of the wall shelf.

1 Claim, 5 Drawing Sheets



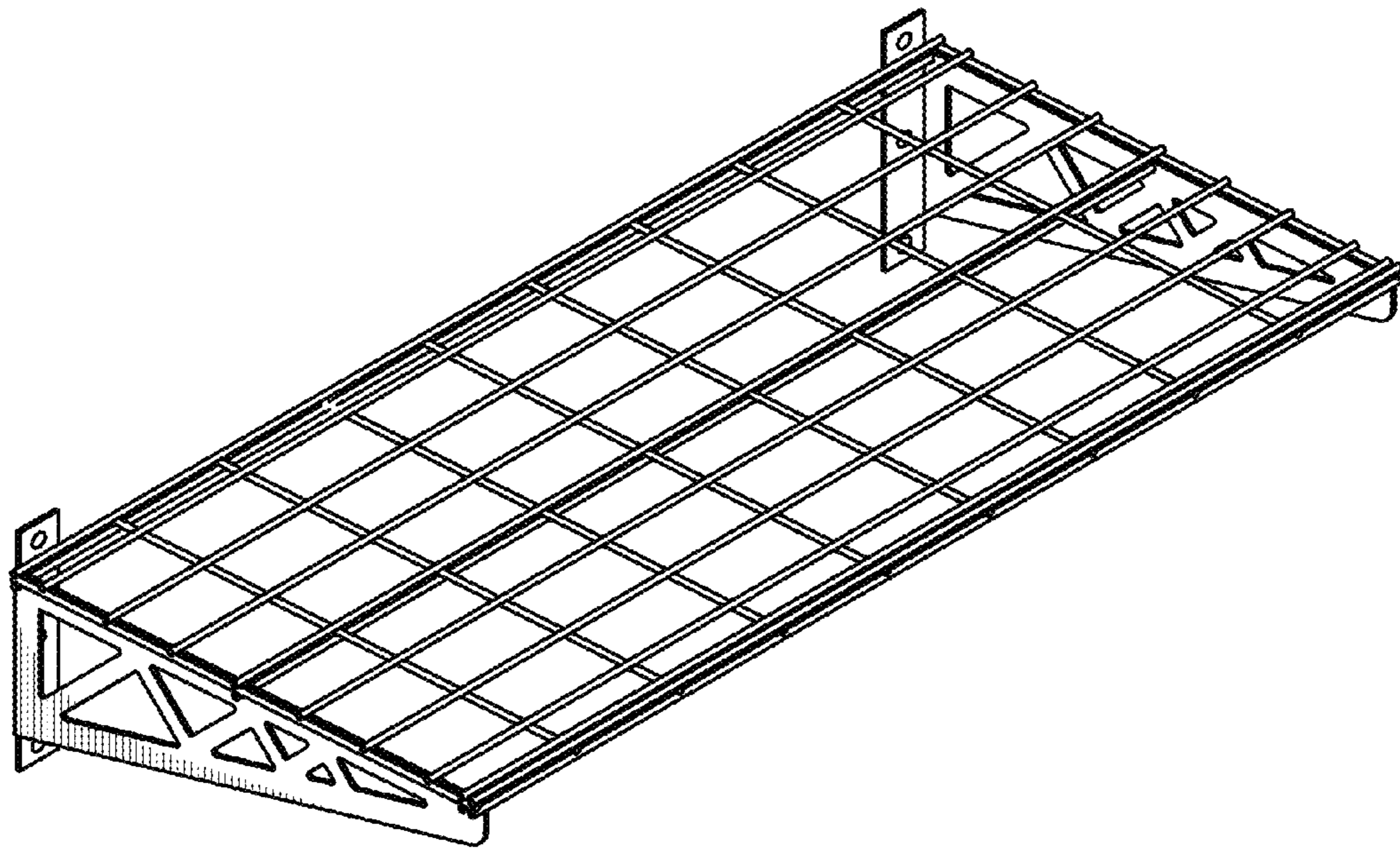


FIG. 1

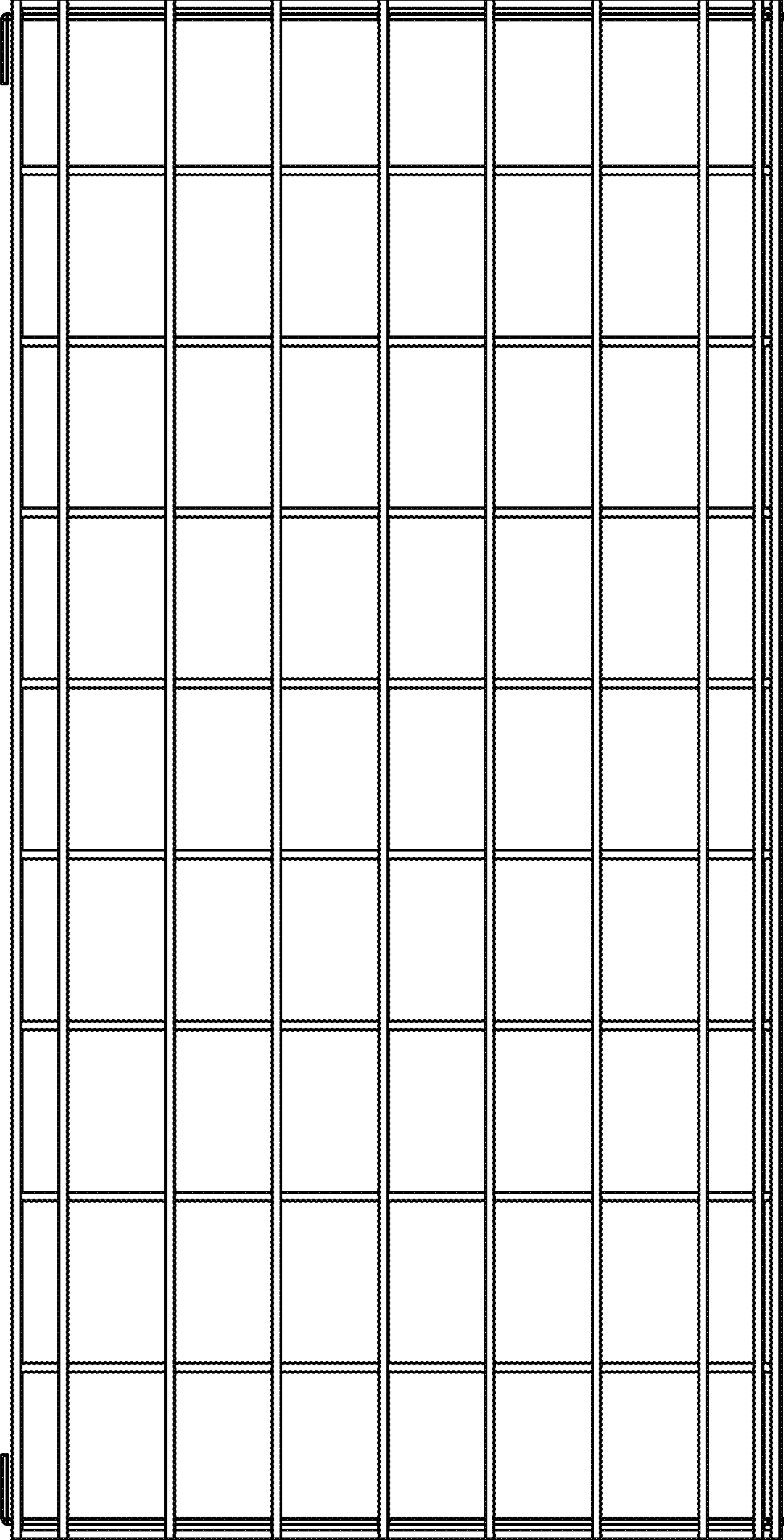


FIG. 2

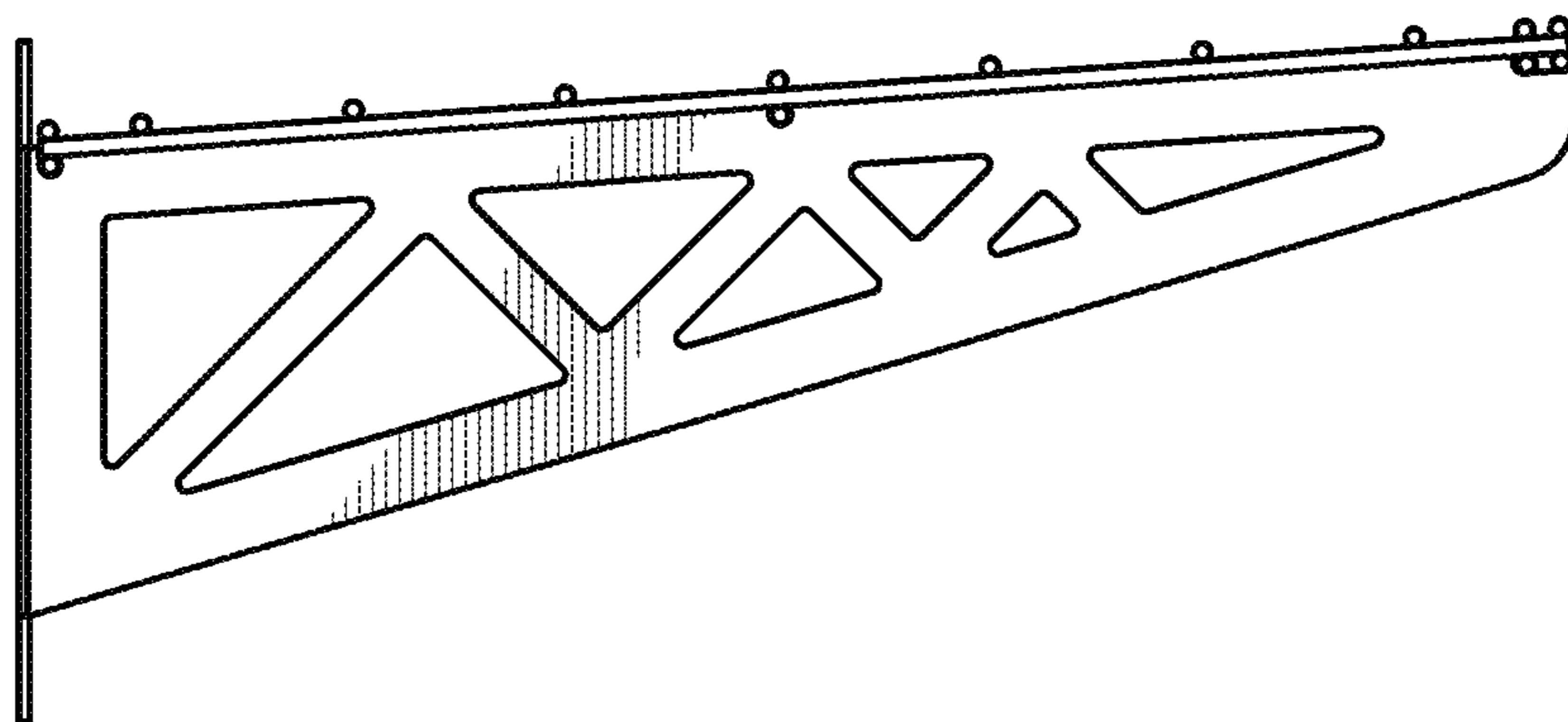


FIG. 3

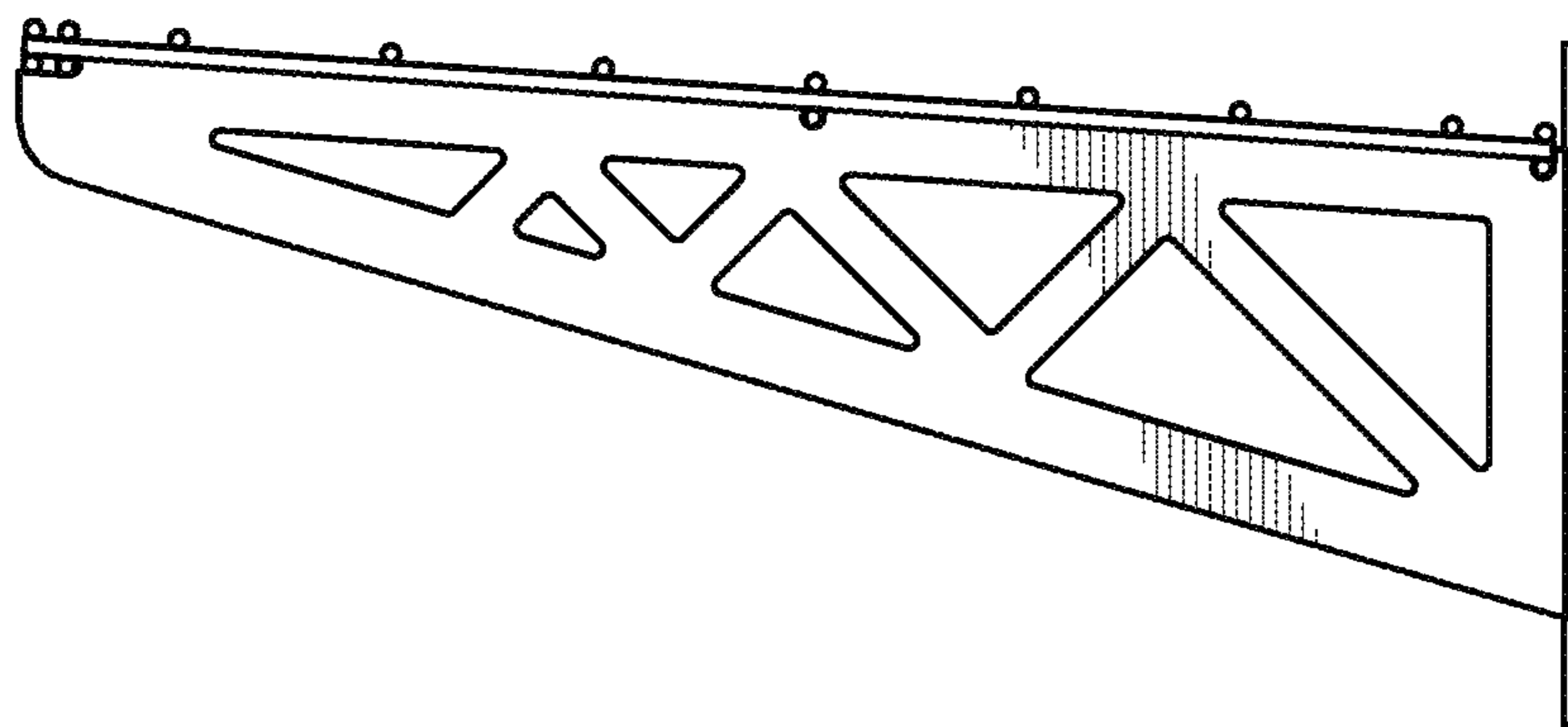


FIG. 4

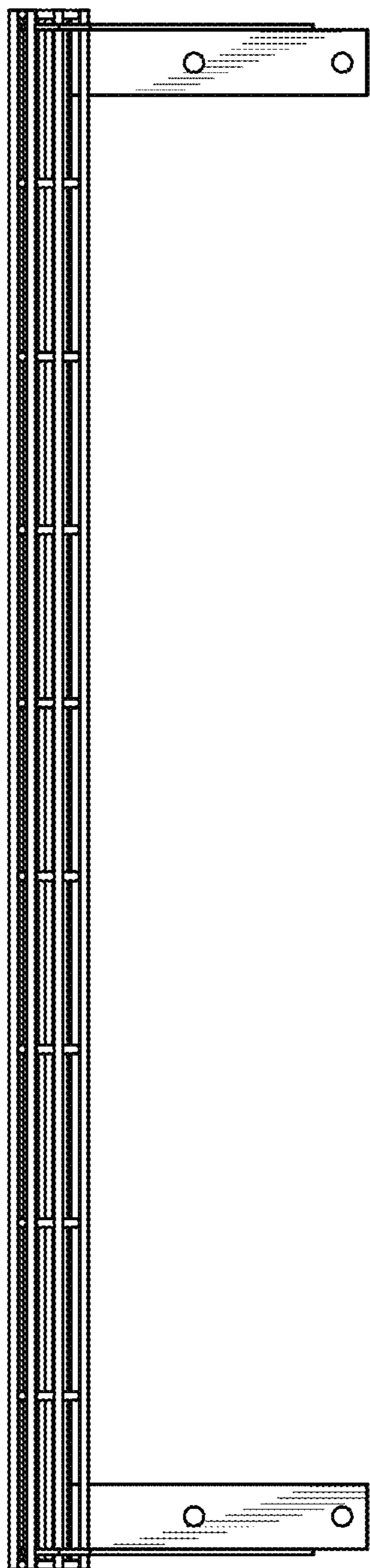


FIG. 5

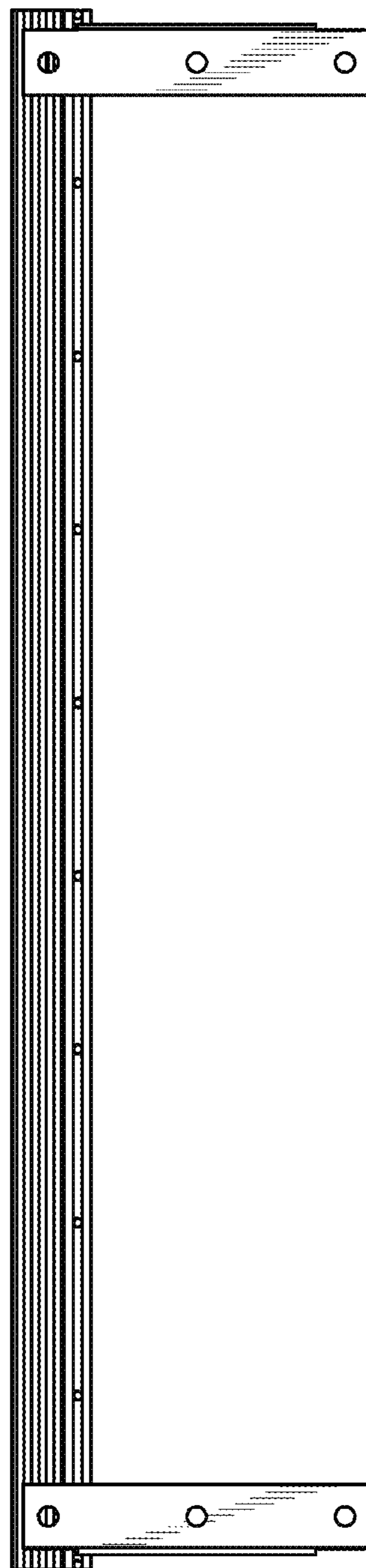


FIG. 6

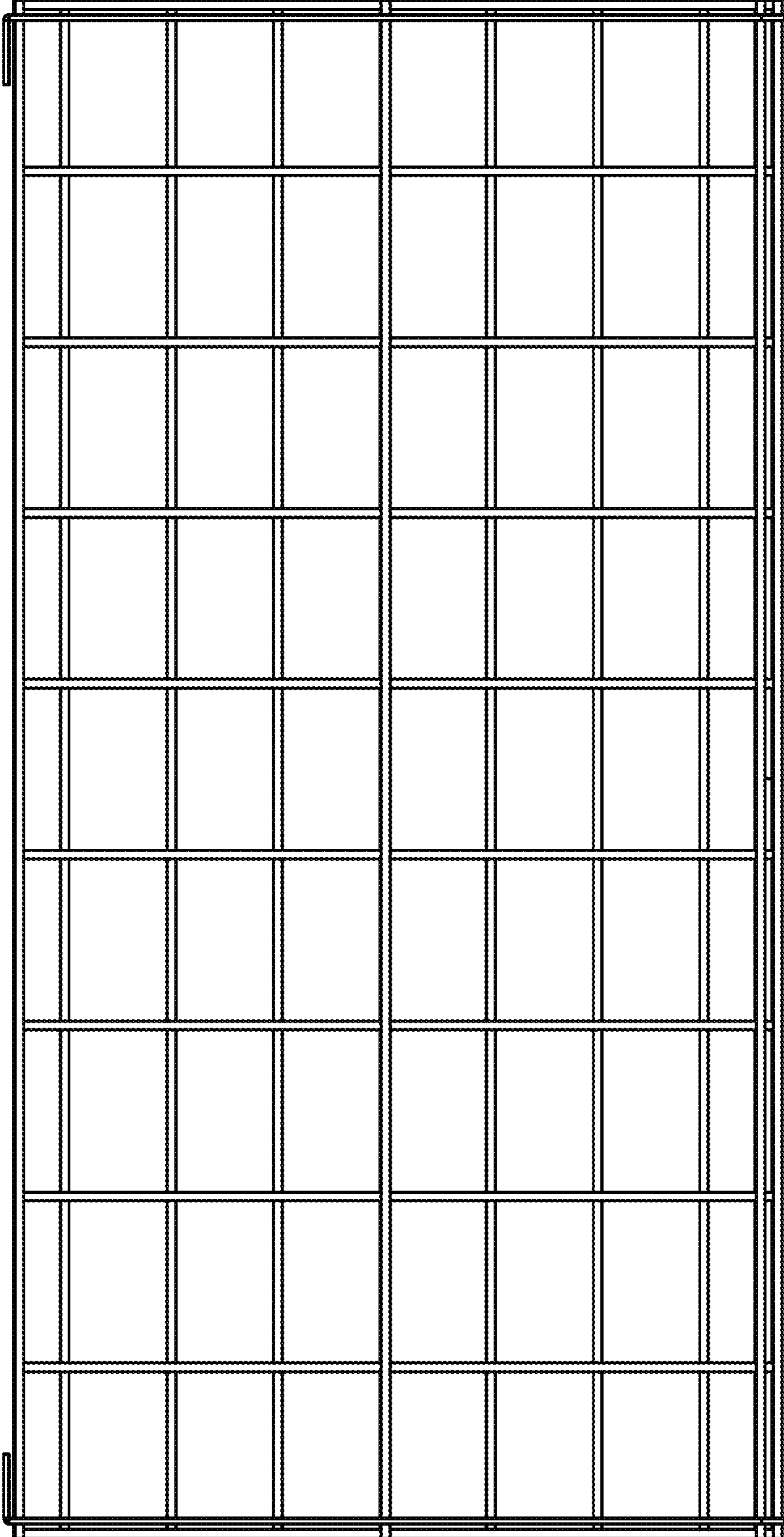


FIG. 7