



US00D716580S

(12) **United States Design Patent**
Wengreen et al.

(10) **Patent No.:** **US D716,580 S**

(45) **Date of Patent:** **** *Nov. 4, 2014**

- (54) **REMOTE CONTROL HOLDER**
- (71) Applicant: **Innovelis, Inc.**, Samammish, WA (US)
- (72) Inventors: **Brian Jeffrey Wengreen**, Maple Valley, WA (US); **Eric John Wengreen**, Samammish, WA (US)
- (73) Assignee: **Innovelis, Inc.**, Sammamish, WA (US)
- (*) Notice: This patent is subject to a terminal disclaimer.

3,279,009 A	10/1966	Teasdale	
3,294,298 A	12/1966	Danielson	
3,990,617 A	11/1976	Carter	
4,602,761 A	7/1986	Carter	
4,746,042 A	5/1988	King	
4,771,927 A	9/1988	Ventura	
4,826,115 A	5/1989	Novitski	
4,840,773 A	6/1989	Wade	
4,852,843 A	8/1989	Chandler	
4,974,764 A	12/1990	Cantwell	
5,038,985 A	8/1991	Chapin	
D321,885 S *	11/1991	Sheldrake D6/553
5,092,395 A	3/1992	Amidzich	

(Continued)

(**) Term: **14 Years**

OTHER PUBLICATIONS

- (21) Appl. No.: **29/450,155**
- (22) Filed: **Mar. 15, 2013**
- (51) **LOC (10) Cl.** **06-04**
- (52) **U.S. Cl.**
USPC **D6/567**

Out of Sight Bracket—Website Part 1 (downloaded on Nov. 13, 2013 from http://www.outofsightbracket.com/OutOfSightBracket/Out_of_Sight_Bracketfor_Apple_TV.html). The website says the Out of Sight Bracket is “Patent Pending.” The Out of Sight Bracket might have been made by Gordon H. Beckhart.

(Continued)

- (58) **Field of Classification Search**
USPC D6/512–514, 552, 553, 556, 567, 571, D6/466, 525; D8/349, 354, 367, 373, 380, D8/381; D28/73, 86; D19/75, 77, 81, 100; 108/33, 42; 211/13.1, 10, 85.1, 85.3, 211/85.6, 85.9, 14, 30, 32, 41.12, 69.5, 211/70.1, 70.6, 70.7, 60.1, 71.01, 72, 74, 211/75, 86.01, 87.01, 88.04, 134, 135; 248/37.3, 49, 200, 251, 300, 309.1, 248/311.2, 314, 694, 902, 907; D3/215, D3/218, 224, 226

Primary Examiner — Brian N Vinson

(57) **CLAIM**
The ornamental design for a remote control holder, as shown and described.

DESCRIPTION

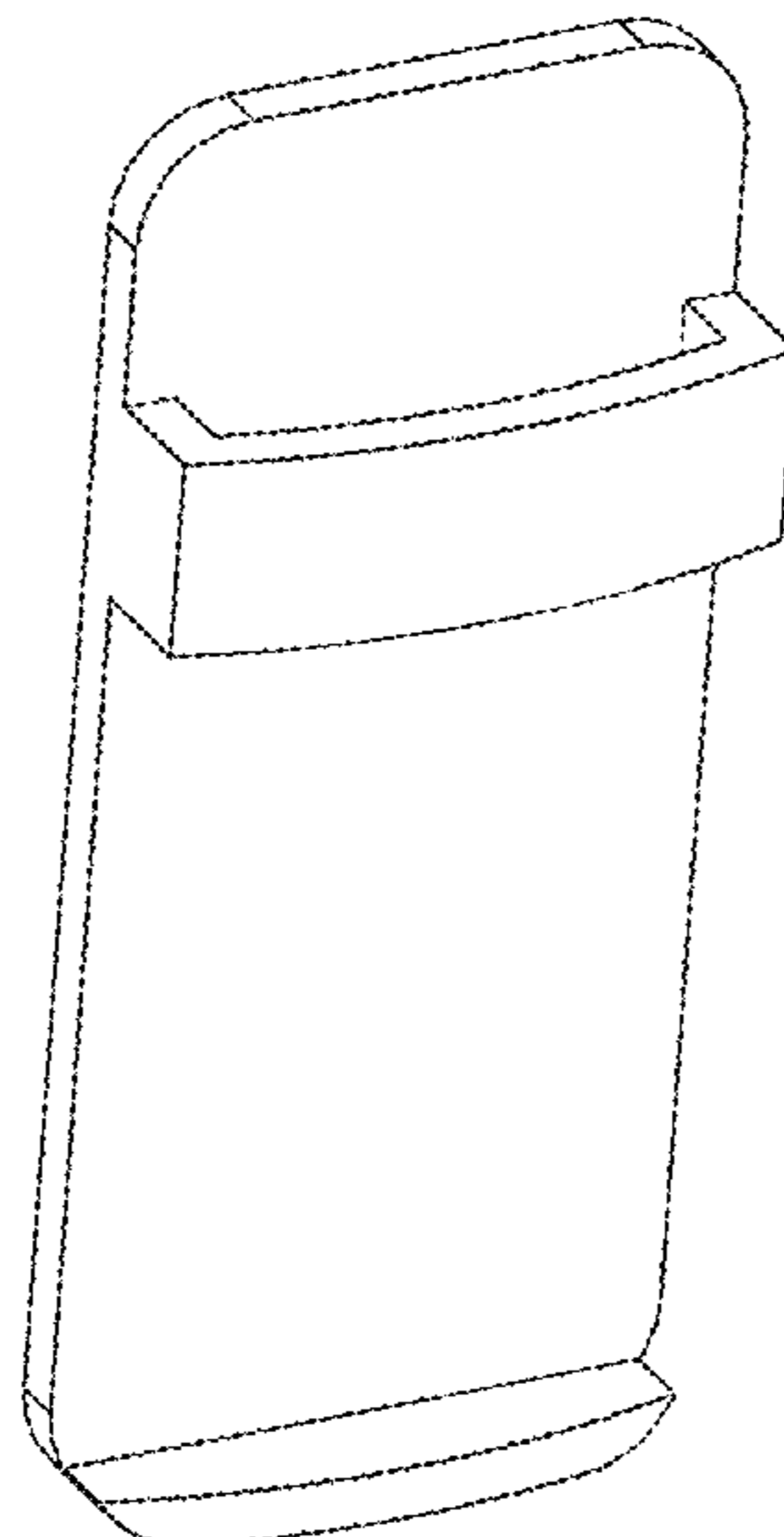
FIG. 1 is a perspective view of the remote control holder in accordance with the present design;
FIG. 2 is another perspective view thereof;
FIG. 3 is front side view thereof;
FIG. 4 is back side view thereof;
FIG. 5 is a bottom side view thereof;
FIG. 6 is a top side view thereof;
FIG. 7 is right side view thereof; and,
FIG. 8 is a left side view thereof.

See application file for complete search history.

(56) **References Cited**
U.S. PATENT DOCUMENTS

1,618,573 A	2/1927	Cole
2,584,646 A	2/1952	Wagstaff
3,091,378 A	5/1963	O'Dwyer
3,176,950 A	4/1965	Hittesdorf

1 Claim, 8 Drawing Sheets



(56)

References Cited

U.S. PATENT DOCUMENTS

5,273,690	A	12/1993	McDowell	
5,297,318	A	3/1994	Adolphson	
D351,341	S	10/1994	Hung	
5,400,990	A	3/1995	Frankel	
D359,616	S *	6/1995	Ishibashi et al.	D3/218
D361,462	S *	8/1995	Newham	D6/567
5,593,124	A	1/1997	Wang	
5,619,395	A	4/1997	McBride	
5,619,774	A	4/1997	Perry	
D385,287	S *	10/1997	Westcott	D6/567
D388,107	S	12/1997	Huckins	
5,850,998	A	12/1998	Parsey	
5,899,371	A	5/1999	Weliver	
5,961,083	A	10/1999	Hartmann	
5,979,724	A	11/1999	Loewenthal	
D426,041	S *	5/2000	Boghossian	D34/6
6,102,660	A	8/2000	Lee	
6,105,923	A	8/2000	Robertson	
D443,493	S	6/2001	Skeem	
6,336,615	B1	1/2002	Jeon	
6,560,983	B1	5/2003	Schimmeyer	
6,691,374	B2	2/2004	Coyne	
6,888,940	B1	5/2005	Deppen	
6,939,641	B2	9/2005	Kincaid	
D529,713	S *	10/2006	Guyot et al.	D3/218
D535,826	S	1/2007	Toghanian	
7,222,762	B2	5/2007	Rees	
D545,343	S	6/2007	Braun	
D551,008	S *	9/2007	Hidalgo	D6/567
D560,411	S	1/2008	Chung	
D565,399	S	4/2008	Grey	
7,367,089	B2	5/2008	Cooke	
D570,801	S	6/2008	Allen	
D598,945	S	8/2009	Gillespie	
D624,949	S	10/2010	Nakayama	
7,854,420	B2	12/2010	Depay	
D639,092	S *	6/2011	Lundy	D6/567
D643,659	S *	8/2011	Choi et al.	D6/553
D667,249	S *	9/2012	London	D6/553
2005/0236541	A1	10/2005	Chang	
2007/0264169	A1	11/2007	Chen	
2008/0078793	A1	4/2008	Brown	
2009/0218454	A1	9/2009	Stanley	
2010/0314277	A1	12/2010	Murray	
2012/0126081	A1	5/2012	Wengreen	
2012/0127379	A1	5/2012	Wengreen	

OTHER PUBLICATIONS

Out of Sight Bracket—Website Part 2 (downloaded on Nov. 13, 2013 from http://www.outofsightbracket.com/OutOfSightBracket/How_to_mount_your_Apple_TV_or_AirPort_Express.html). The website says the Out of Sight Bracket is “Patent Pending.” The Out of Sight Bracket might have been made by Gordon H. Beckhart.

Out of Sight Bracket—Website Part 3 (downloaded on Nov. 13, 2013 from <http://www.soundandvision.com/content/bracket-keeps-apple-airport-express-and-apple-tv-out-sight>).

TV Tray—Website (downloaded on Nov. 13, 2013 from <http://h-sq.com/products/tvtray/>).

TV Tray—Installation Guide (downloaded on Nov. 13, 2013 from http://www.h-sq.com/downloads/tvtx_ug.pdf).

Cosmos Tray—Website (downloaded on Nov. 13, 2013 from http://www.amazon.com/Cosmos-MD199LL-AirPort-Express-Station/dp/B00C2JNGB2/ref=sr_1_4?ie=UTF8&qid=1384406376&sr=8-4&keywords=apple+tv+mount).

CTA Digital—Website (downloaded on Nov. 13, 2013 from <http://www.ctadigital.com/downloads/KIN-WMC-final.pdf>).

PDP Mounting Clip—Part 1 (downloaded on Nov. 13, 2013 from <http://www.amazon.com/Kinect-Sensor-TV-Mounting-Clip-Xbox/dp/B004XV6ST4>).

PDP Mounting Clip—Part 2 (downloaded on Nov. 13, 2013 from http://www.microsoftstore.com/store/msusa/en_US/pdp/Kinect-Sensor-TV-Mounting-Clip/productID.253726200).

PDP Mounting Clip—Part 3 (downloaded on Nov. 13, 2013 from <http://www.bestbuy.com/site/pdp-sensor-mounting-clip-for-kinect/3521258.p?id=1218408957863&skuId=3521258>).

ScreenDeck (downloaded on Nov. 13, 2013 from http://news.cnet.com/8301-17938_105-20071226-1/screendeck-adds-top-shelf-to-your-flat-panel-tv/).

Center Stage Bracket—Part 1 (downloaded on Nov. 13, 2013 from <http://www.bestbuy.com/site/center-stage-bracket-satellite-center-channel-speaker-shelf-bracket-black/5857191.p?id=1218697292805&skuId=5857191>).

Center Stage Bracket—Part 2 (downloaded on Nov. 13, 2013 from <http://www.bestbuy.com/site/center-stage-bracket-satellite-center-channel-speaker-shelf-bracket-black/5857191.p?id=1218697292805&skuID=5857191>).

DreamGear TriMount (downloaded on Nov. 14, 2013 from <http://www.dreamgear.net/shop-by-platform/universal/trimount.html>).

Medialink router (downloaded on Jan. 2, 2014 from http://www.medialinkproducts.com/docs/MWN-WAPR150N_User_Guide.pdf).

Cisco router wall mounting instructions (downloaded on Jan. 2, 2014 from <http://www.cisco.com/en/US/docs/routers/access/1800/1841/hardware/installation/guide/18inst.pdf>).

Cisco wall mounting bracket (downloaded on Jan. 2, 2014 from <http://www.cisco.com/en/US/docs/routers/access/800/806/hardware/installation/guide/install.pdf>).

Netgear ProSafe (downloaded on Jan. 2, 2014 from http://www.storagereview.com/netgear_prosafe_wndap660_dualband_wireless_access_point_review) article includes a date of Dec. 21, 2012.

Wireless router picture (downloaded on Jan. 2, 2014 from <http://www.techwarelabs.com/wp-content/gallery/ingenius-esr9850-wireless-router/router-bottom.jpg>).

Apple Remote Control—Downloaded on Jun. 2, 2014 from <http://store.apple.com/us/product/MC377LL/A/apple-remote>.

Innovelis, Inc. Product—TotalMount—Apple TV Mounting Kit, downloaded from Amazon.com on Feb. 3, 2014, first available on Amazon.com on Jun. 22, 2011: http://www.amazon.com/TotalMount-Apple-Universal-Mounting-Kit/dp/B0057CVH6W/ref=sr_1_1?ie=UTF8&qid=1391473446&sr=8-1&keywords=TOTALMOUNT.

Innovelis, Inc. Product—TotalMount—Roku Mounting Kit, downloaded from Amazon.com on Feb. 3, 2014, first available on Amazon.com on Jun. 14, 2012: http://www.amazon.com/TotalMount-ROKU-UNIVERSAL-MOUNTING-Compatible/dp/B008B1125W/ref=sr_1_2?ie=UTF8&qid=1391473922&sr=8-2&keywords=totalmount.

Innovelis, Inc. Product—TotalMount—Remote Holder, downloaded from Amazon.com on Feb. 3, 2014, first available on Amazon.com on Jul. 2, 2013: http://www.amazon.com/Apple-TV-Remote-Holder-TotalMount/dp/B00DR76YJO/ref=sr_1_3?ie=UTF8&qid=1391474218&sr=8-3&keywords=totalmount.

Innovelis, Inc. Product—TotalMount—AirPort Express Mounting Kit, downloaded from Amazon.com on Feb. 3, 2014, first available on Amazon.com in approximately Sep. 2012: http://www.amazon.com/TotalMount-AirPort-Express-Mounting-Kit/dp/B009HC7BL8/ref=sr_1_4?ie=UTF8&qid=1391474218&sr=8-4&keywords=totalmount.

Innovelis, Inc. Product—TotalMount—Roku Mounting Kit (Version 1), downloaded from Amazon.com on Feb. 3, 2014, first available on Amazon.com on Jan. 19, 2012: http://www.amazon.com/TotalMount-ROKU-MOUNTING-Compatible-Roku/dp/B006ZS4R46/ref=sr_1_5?ie=UTF8&qid=1391474218&sr=8-5&keywords=totalmount.

Innovelis, Inc. Product—TotalMount—AirPort Extreme Mounting Kit, downloaded from Amazon.com on Feb. 3, 2014, first available on Amazon.com in approximately Apr. 2013: http://www.amazon.com/TotalMount-Compatible-generations-compatible-generation/dp/B00CK2CDLK/ref=sr_1_7?ie=UTF8&qid=1391474218&sr=8-7&keywords=totalmount.

(56)

References Cited

OTHER PUBLICATIONS

Innovelis, Inc. Product—TotalMount—Vizio Mounting Kit, downloaded from Amazon.com on Feb. 3, 2014, first available on Amazon.com in approximately May 2013: http://www.amazon.com/TotalMount-VIZIO-Co-Star-Mounting-Kit/dp/B00GDMXSZ8/ref=sr_1_10?ie=UTF8&qid=1391474218&sr=8-10&keywords=totalmount.

Roku media players—Part 1, downloaded on Feb. 3, 2014 from <http://www.roku.com/products/roku-2>.

Roku media players—Part 2, downloaded on Feb. 3, 2014 from <http://www.roku.com/products/compare>.

Apple TV, downloaded on Feb. 3, 2014 from <http://www.apple.com/appletv/what-is/>.

* cited by examiner

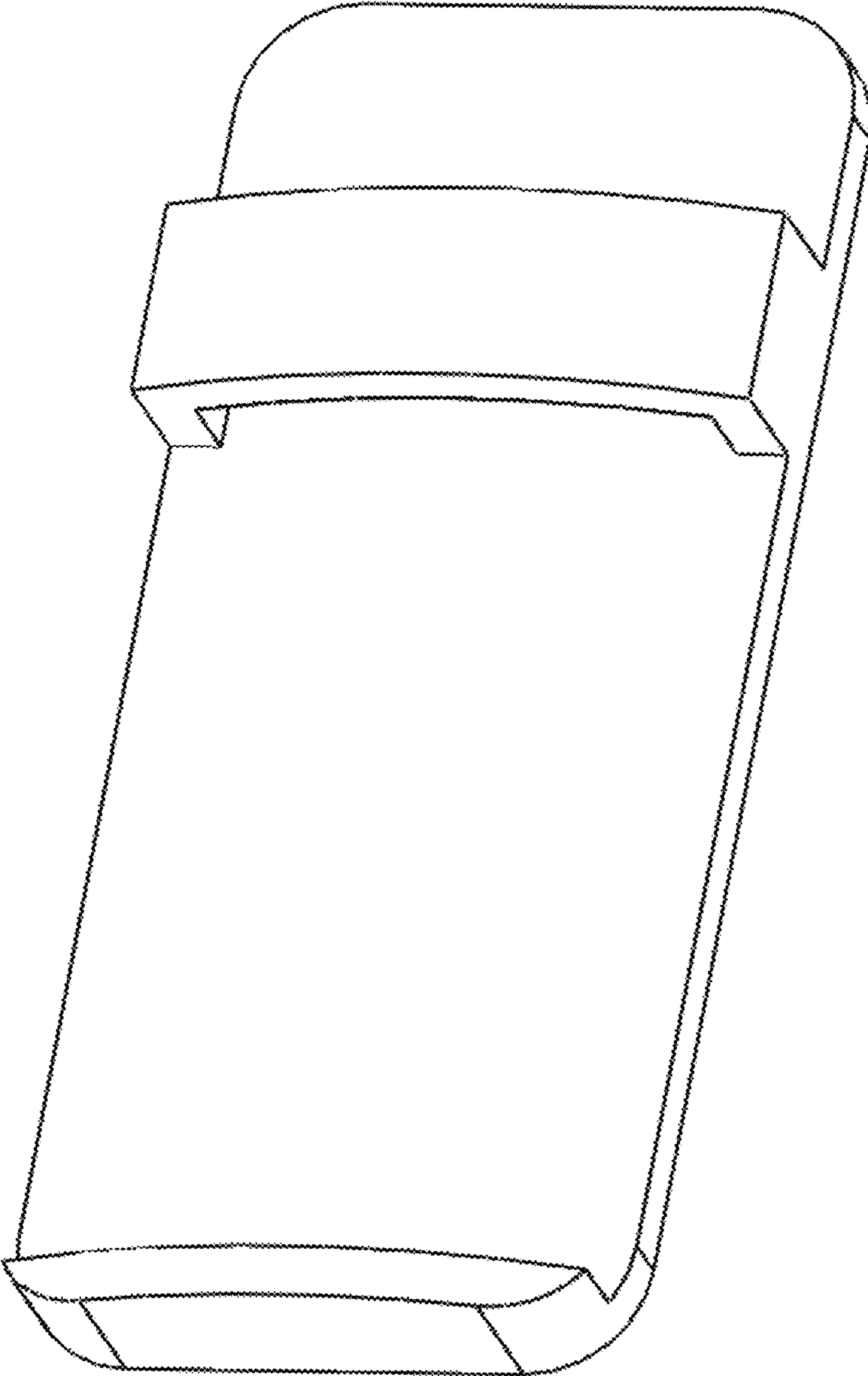


Fig. 1

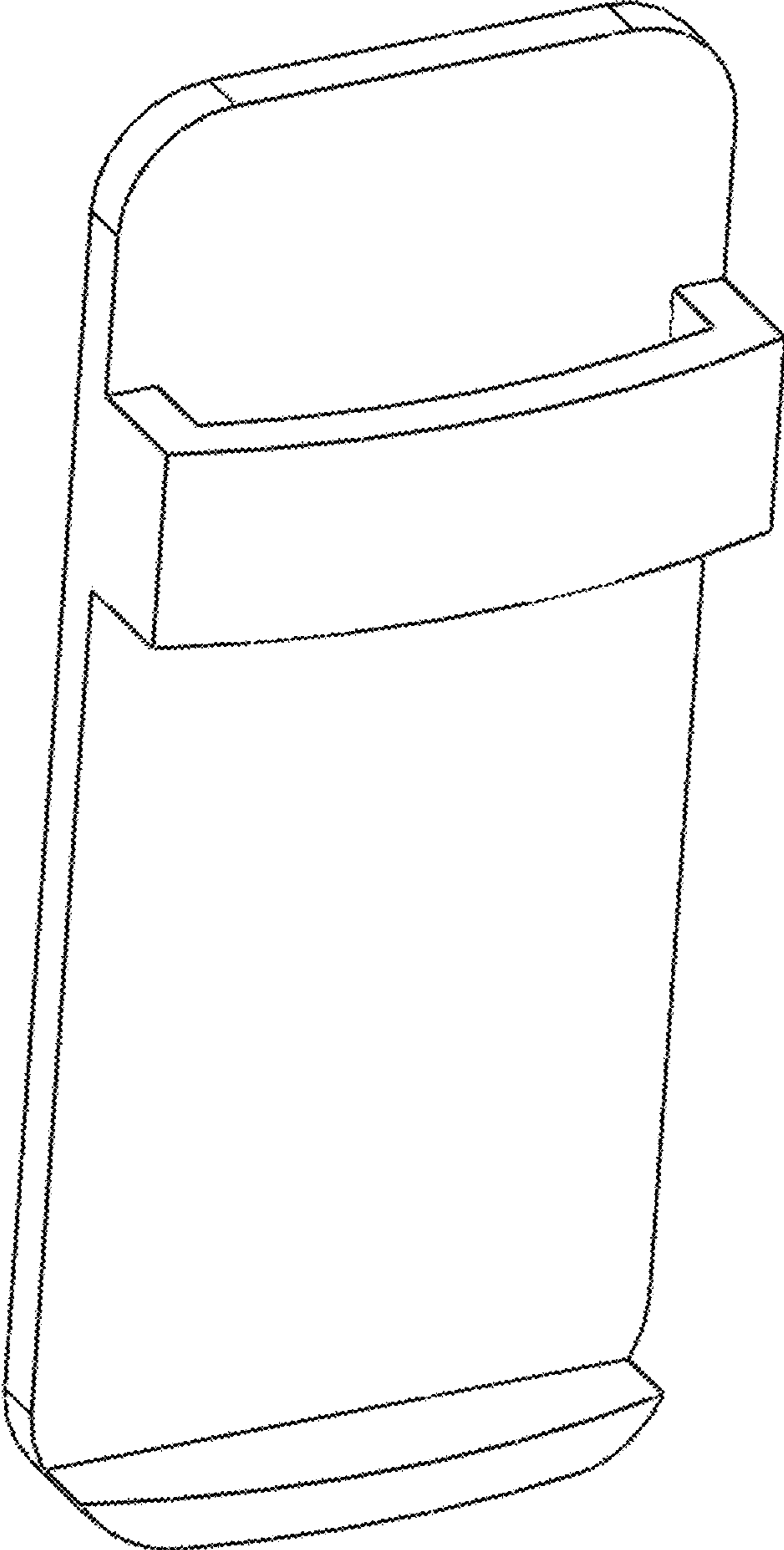


Fig. 2

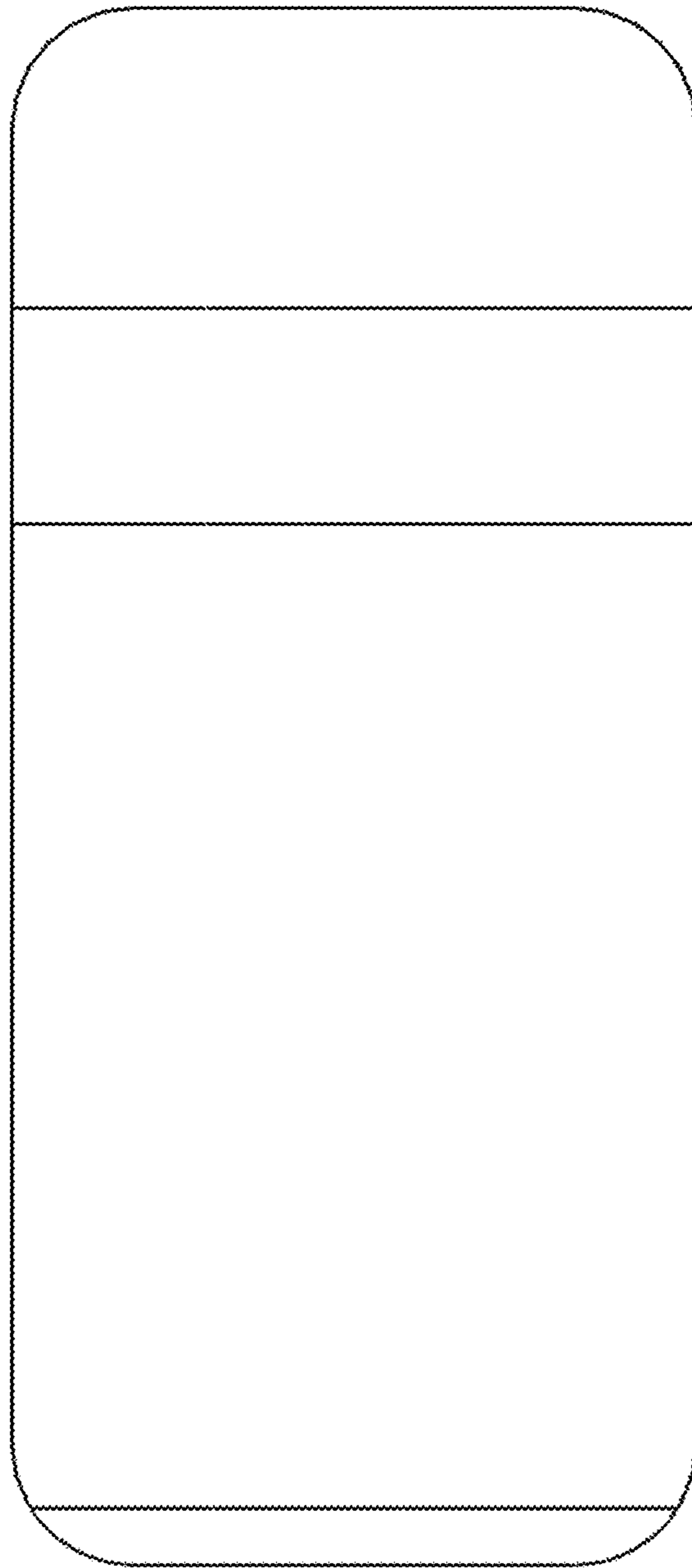


Fig. 3

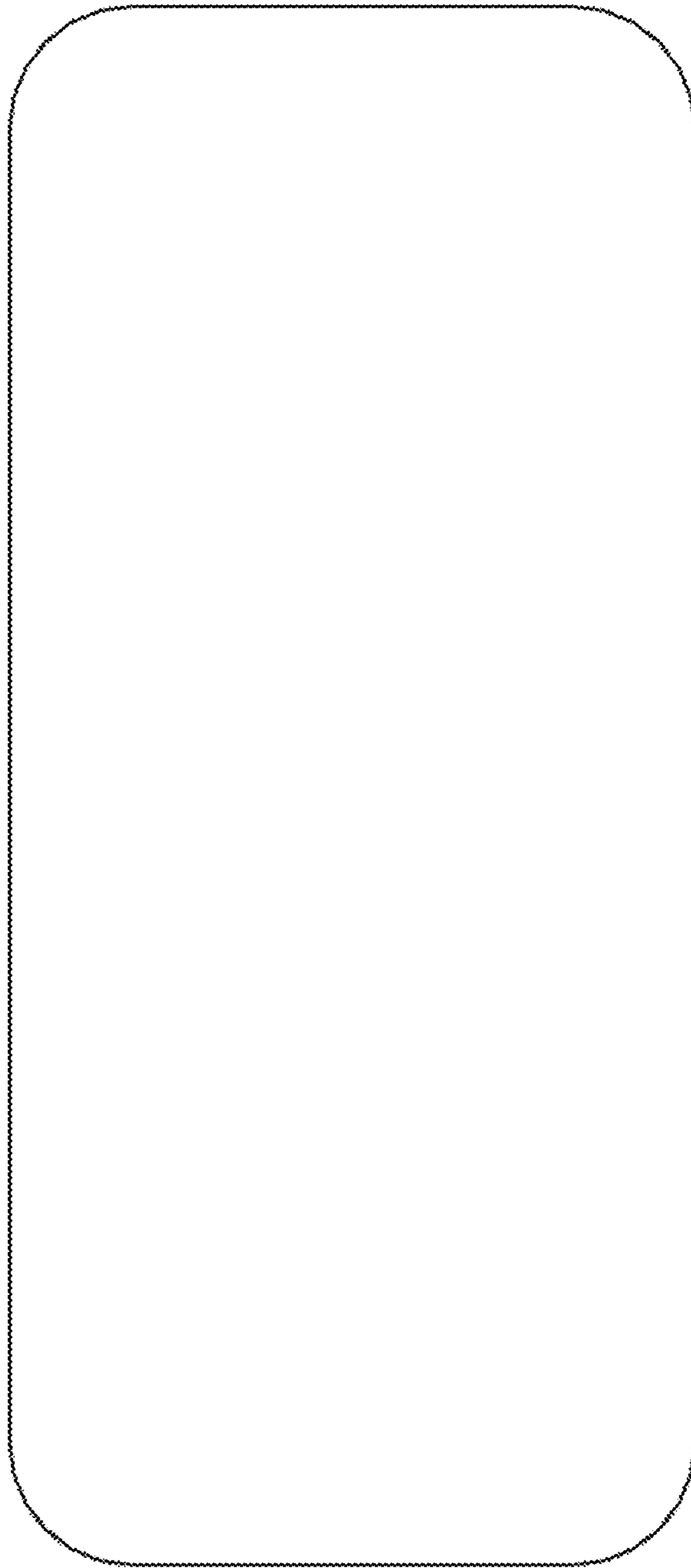


Fig. 4

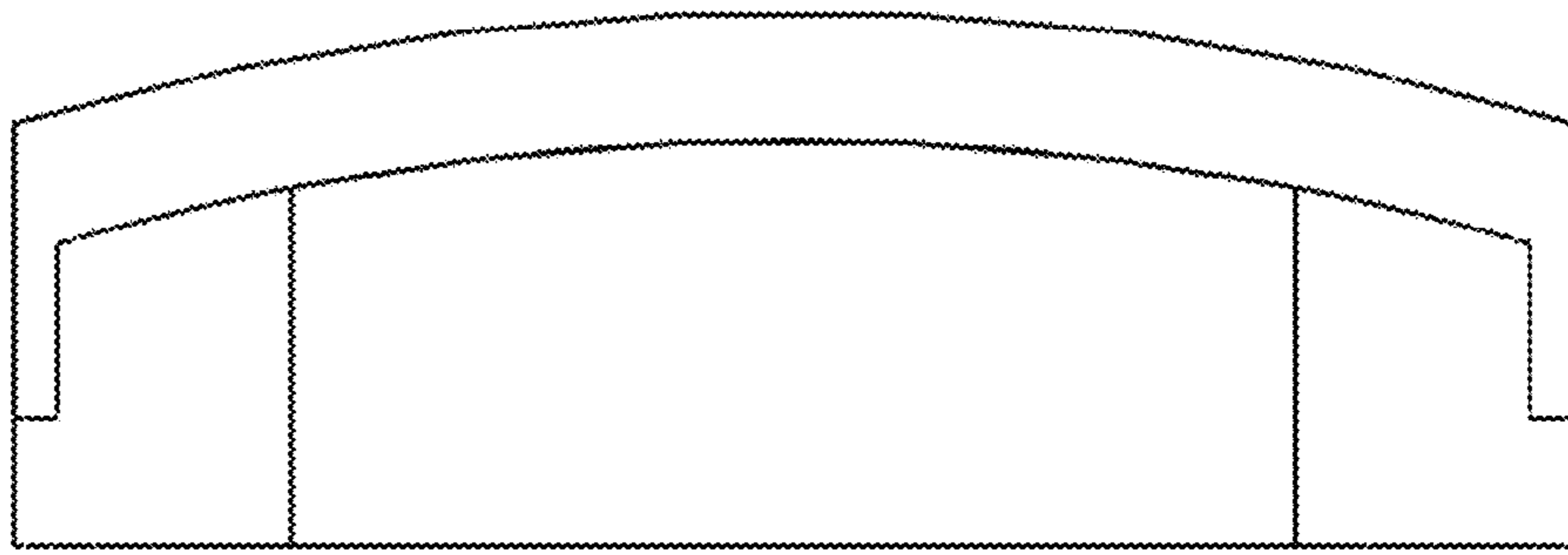


Fig. 5

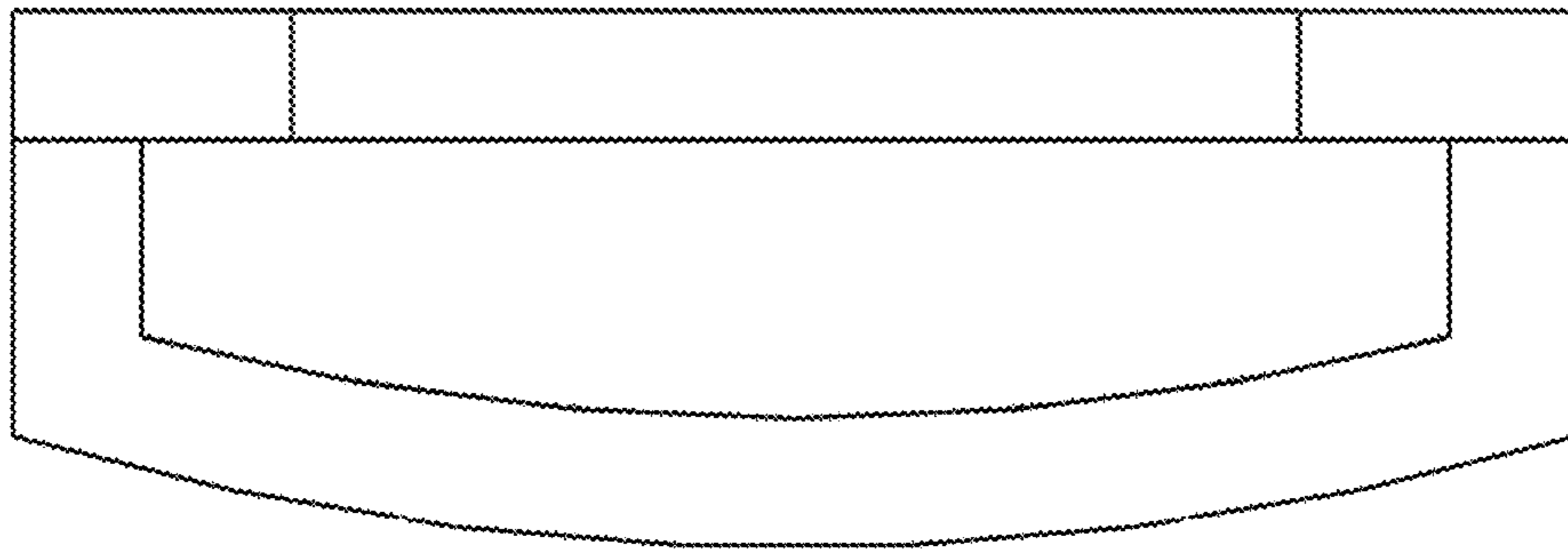


FIG. 6

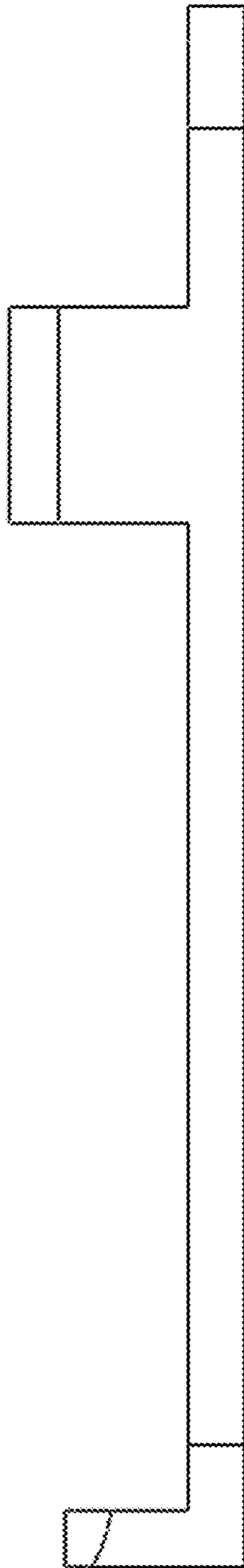


Fig. 7

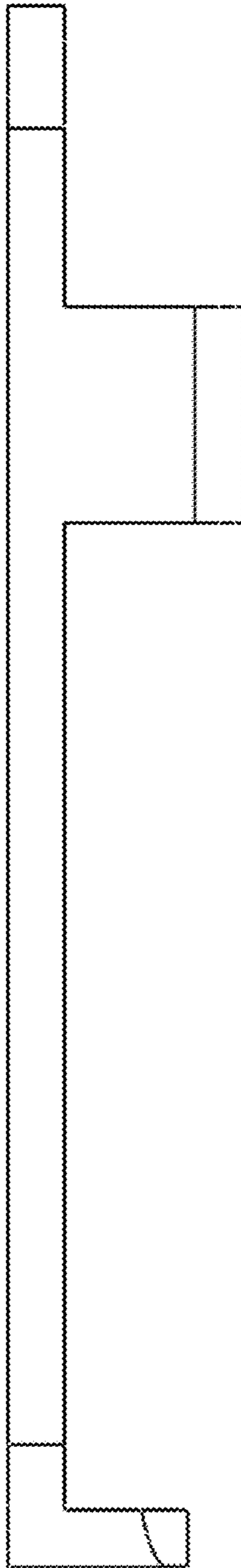


Fig. 8