



US00D716578S

(12) **United States Design Patent**
Lipper McCauley

(10) **Patent No.:** **US D716,578 S**

(45) **Date of Patent:** **** Nov. 4, 2014**

(54) **EXPANDABLE TOWEL HOLDER**

(71) Applicant: **Lipper International Inc.**, Wallingford,
CT (US)

(72) Inventor: **Amy Lipper McCauley**, Wallingford,
CT (US)

(73) Assignee: **Lipper International Inc.**, Wallingford,
CT (US)

(**) Term: **14 Years**

(21) Appl. No.: **29/481,608**

(22) Filed: **Feb. 7, 2014**

(51) **LOC (10) Cl.** **20-02**

(52) **U.S. Cl.**
USPC **D6/521**

(58) **Field of Classification Search**
USPC D6/518-523; 206/389, 391; 211/13.1,
211/59.1, 45, 890.1; 242/570, 590, 597.7;
248/309.1, 309.2

See application file for complete search history.

(56) **References Cited**

U.S. PATENT DOCUMENTS

D390,054 S *	2/1998	Goodman	D6/522
D432,828 S *	10/2000	Snell	D6/522
D704,473 S *	5/2014	Hartshorn et al.	D6/521

* cited by examiner

Primary Examiner — Brian N Vinson

(74) *Attorney, Agent, or Firm* — Lucas & Mercanti, LLP

(57) **CLAIM**

The ornamental design for an expandable towel holder, as shown and described.

DESCRIPTION

FIG. 1 is a perspective view of an expandable towel holder in use;

FIG. 2 is a side view of the expandable towel holder;

FIG. 3 is a front view of the expandable towel holder;

FIG. 4 is a second side view of the expandable towel holder;

FIG. 5 is a rear view of the expandable towel holder;

FIG. 6 is a top view of the expandable towel holder;

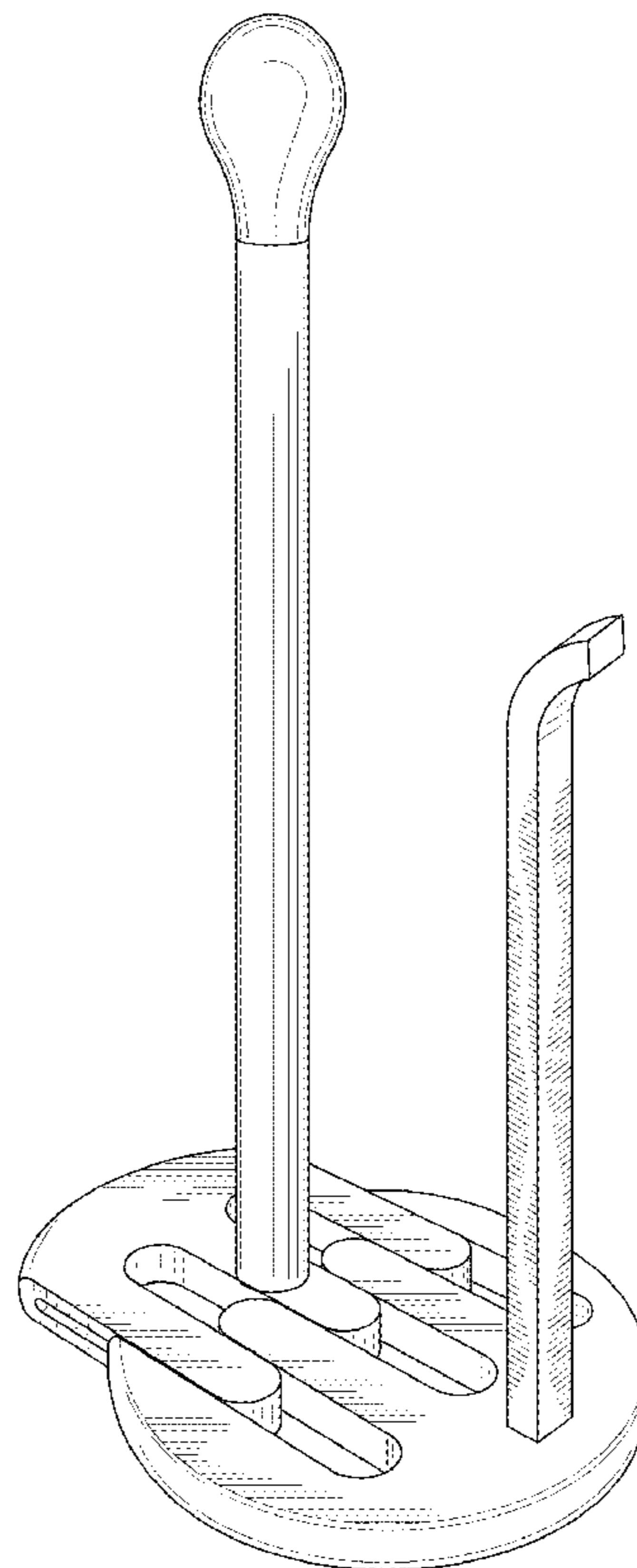
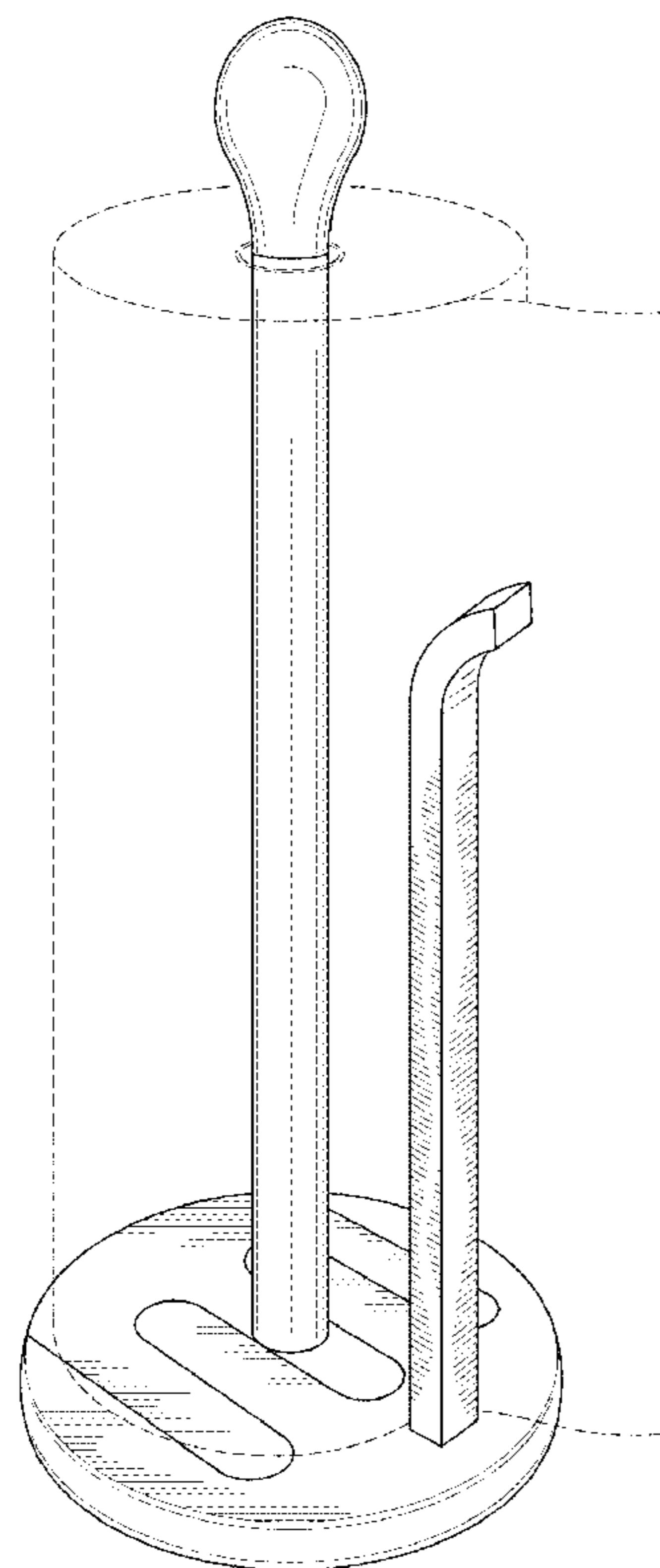
FIG. 7 is a bottom view of the expandable towel holder;

FIG. 8 is a perspective view of the expandable towel holder showing the rack in semi-open position; and,

FIG. 9 is a perspective view of the expandable towel holder showing the rack in open position.

The broken-line disclosure of a paper roll is for illustrative purposes only and forms no part of the claimed design.

1 Claim, 8 Drawing Sheets



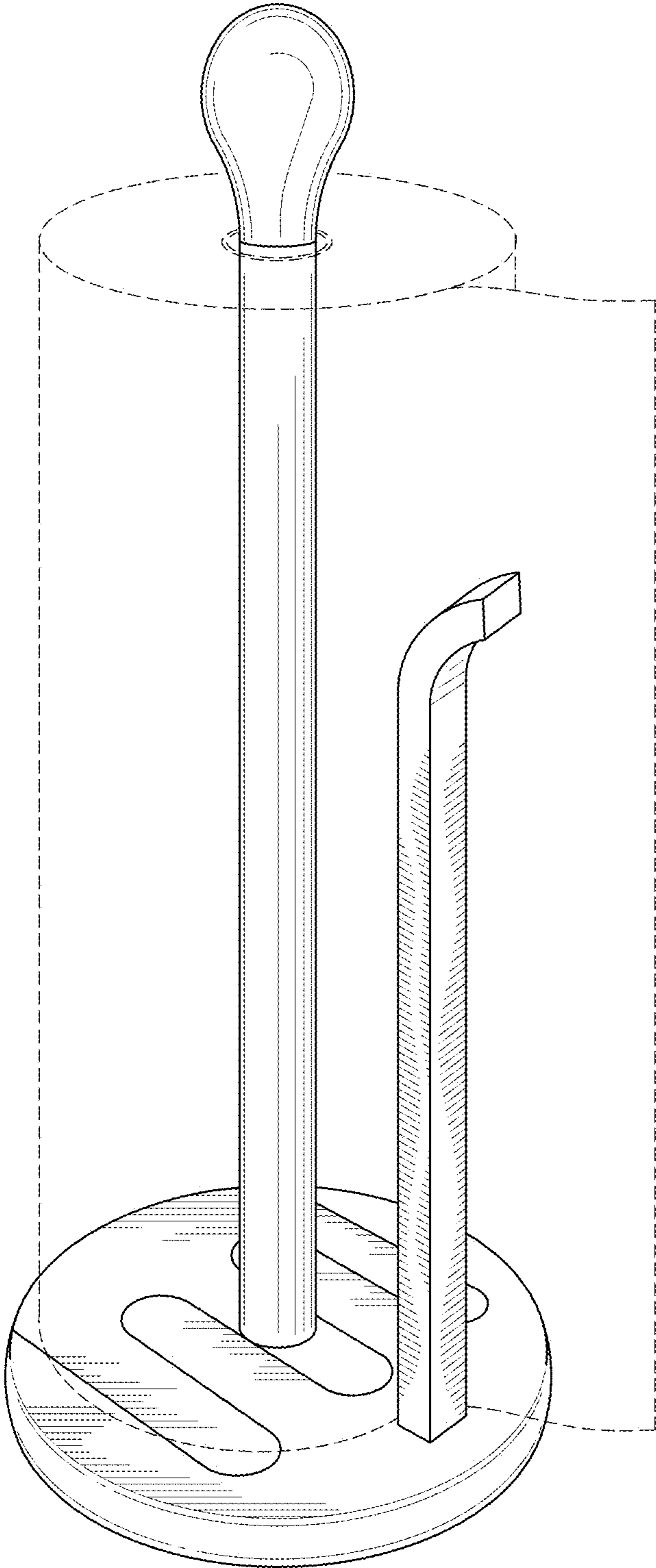


FIG. 1

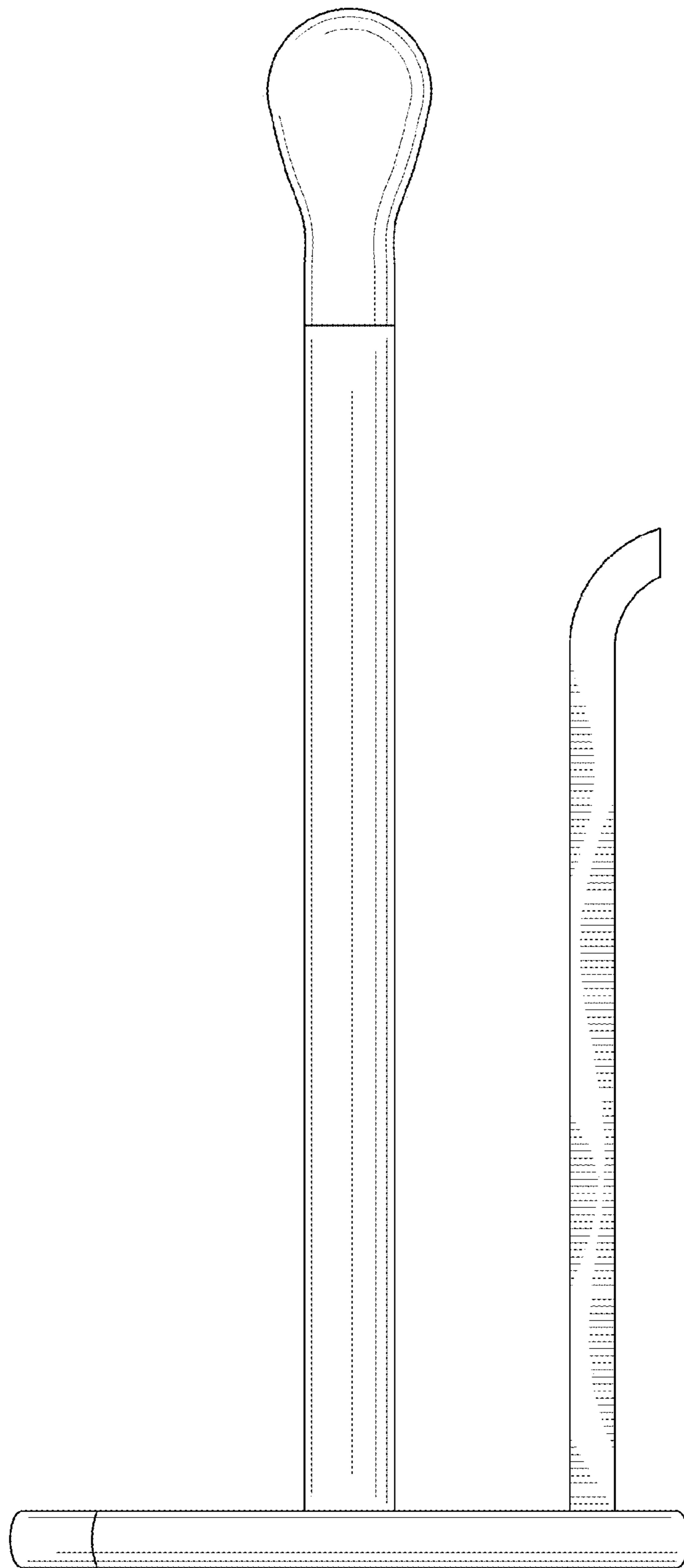


FIG. 2

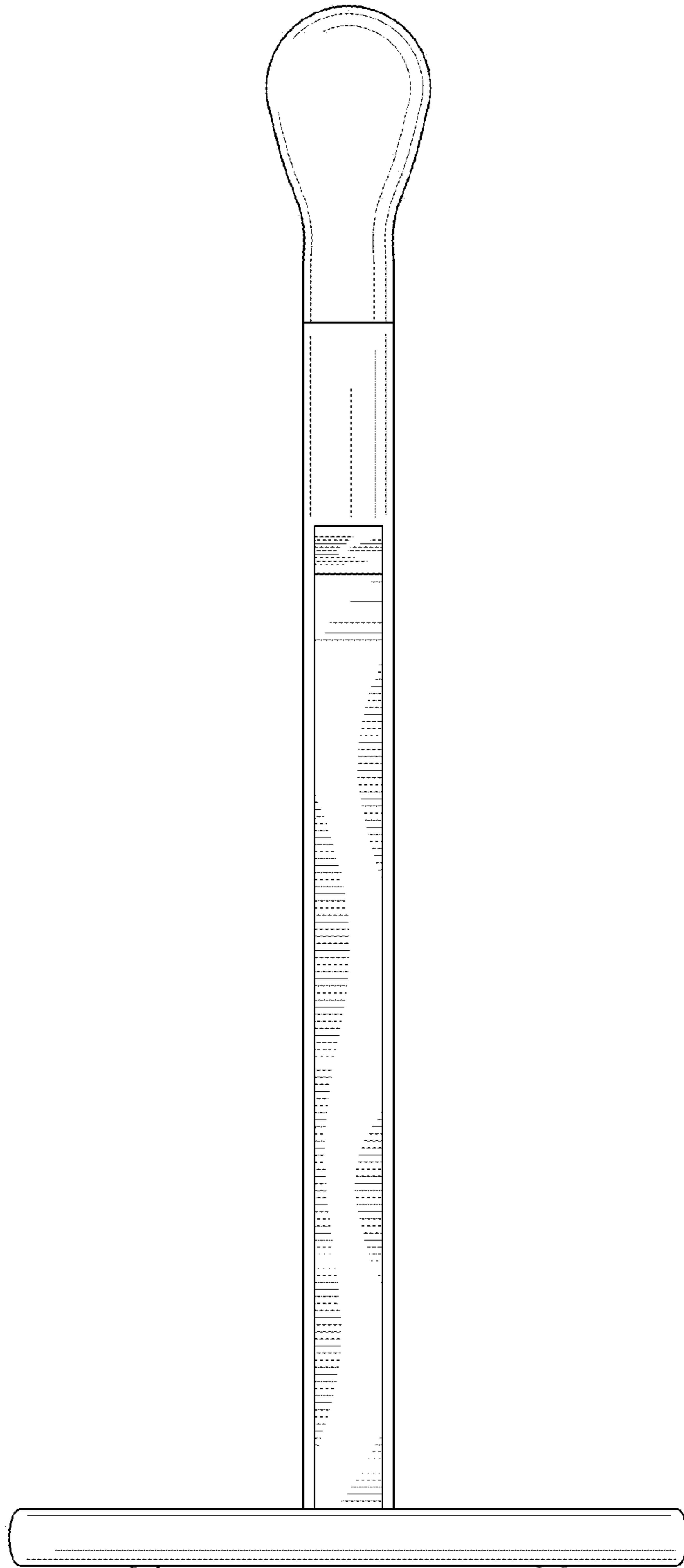


FIG. 3

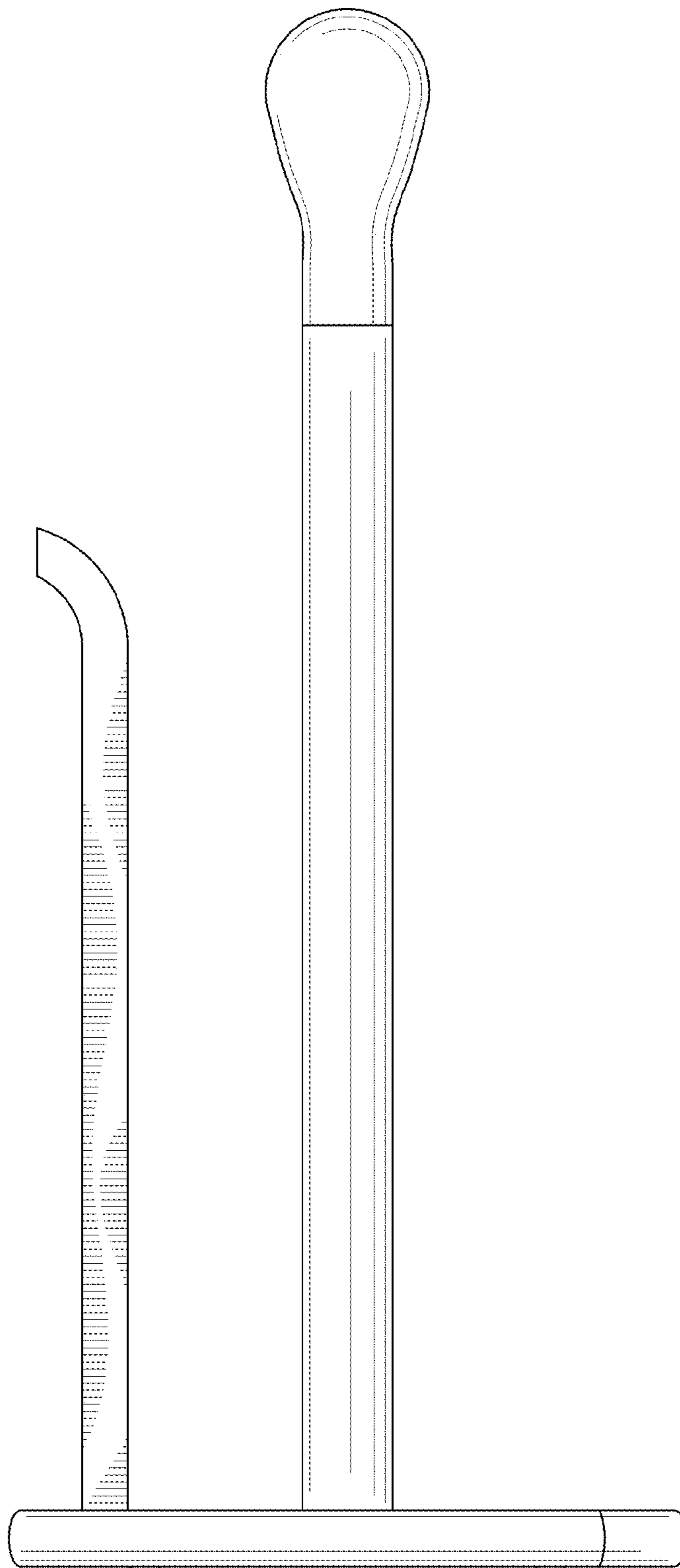


FIG. 4

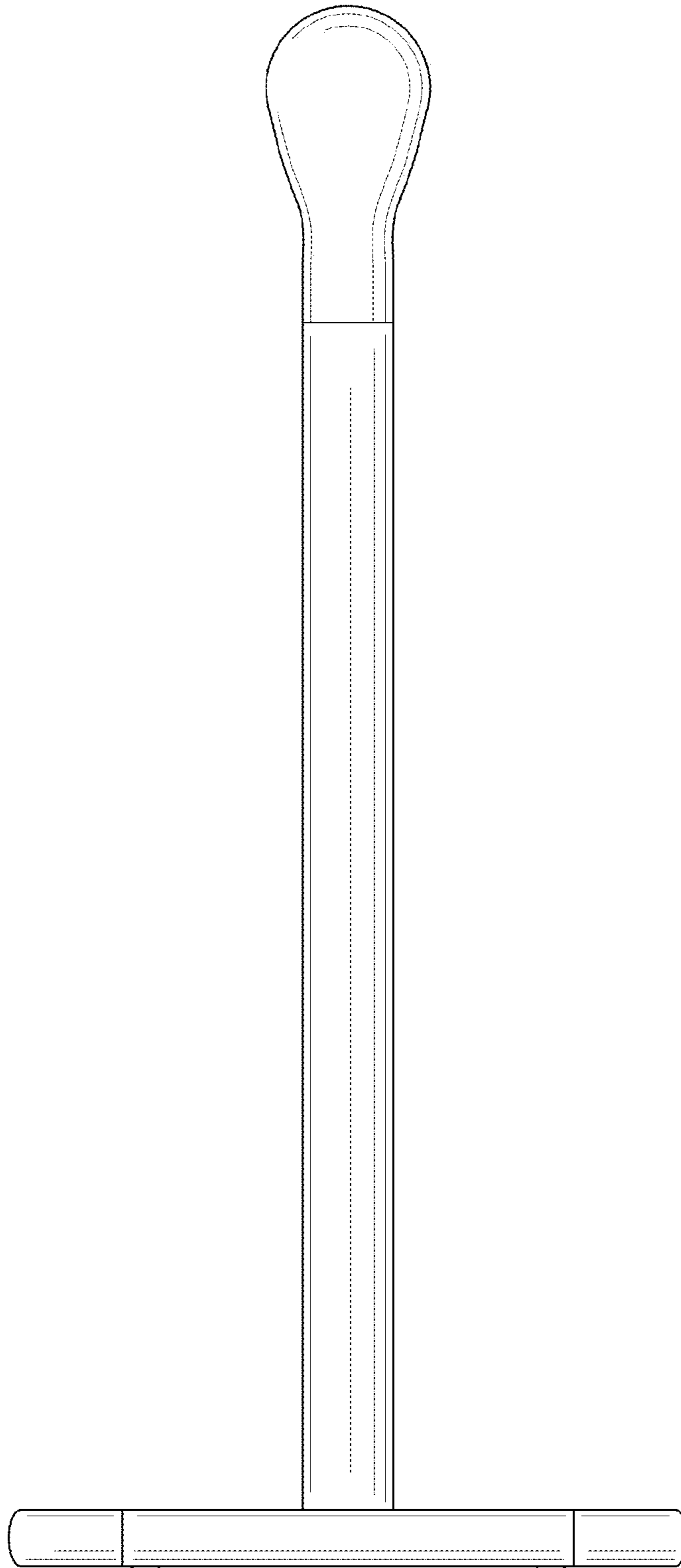


FIG. 5

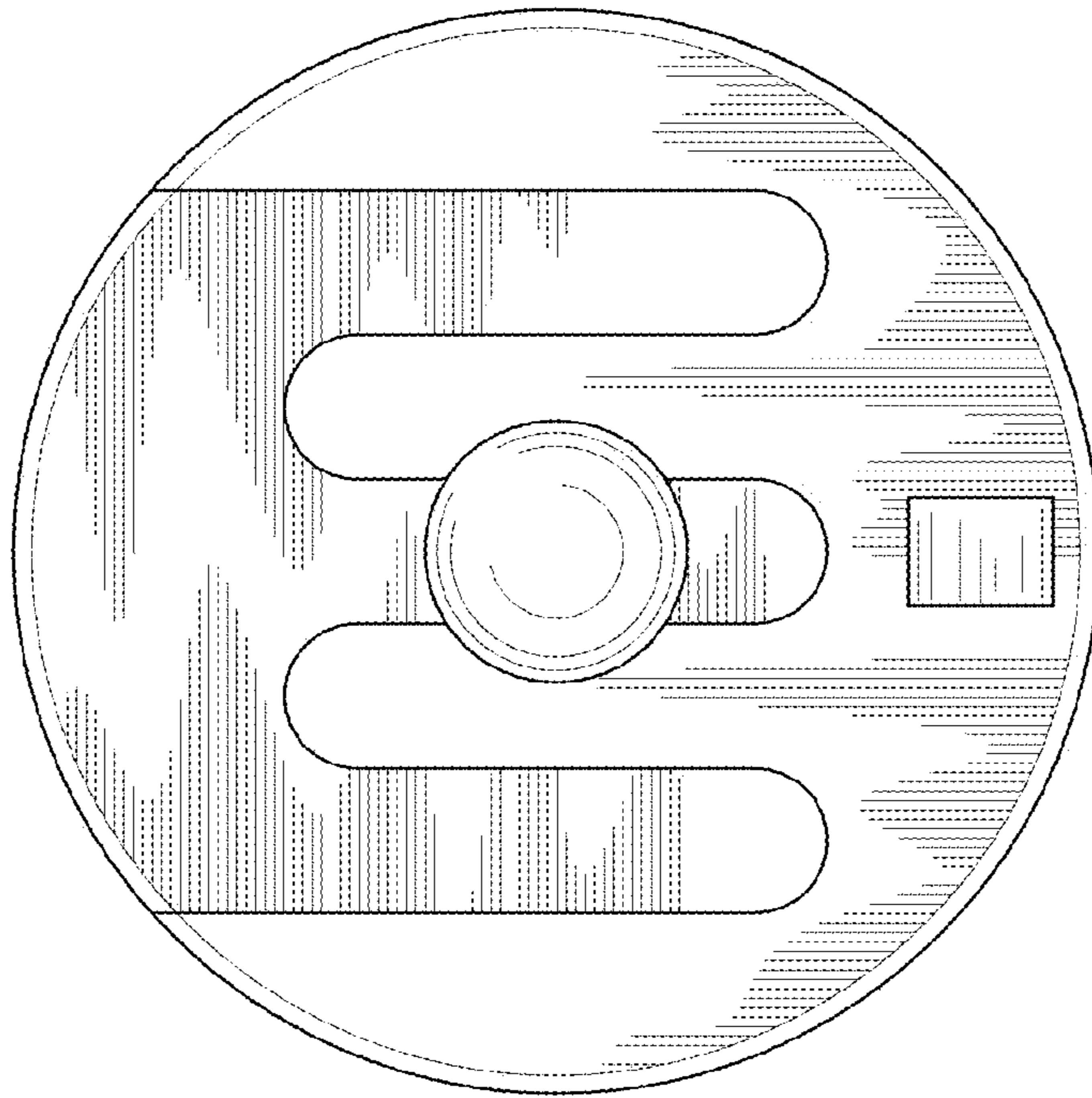


FIG. 6

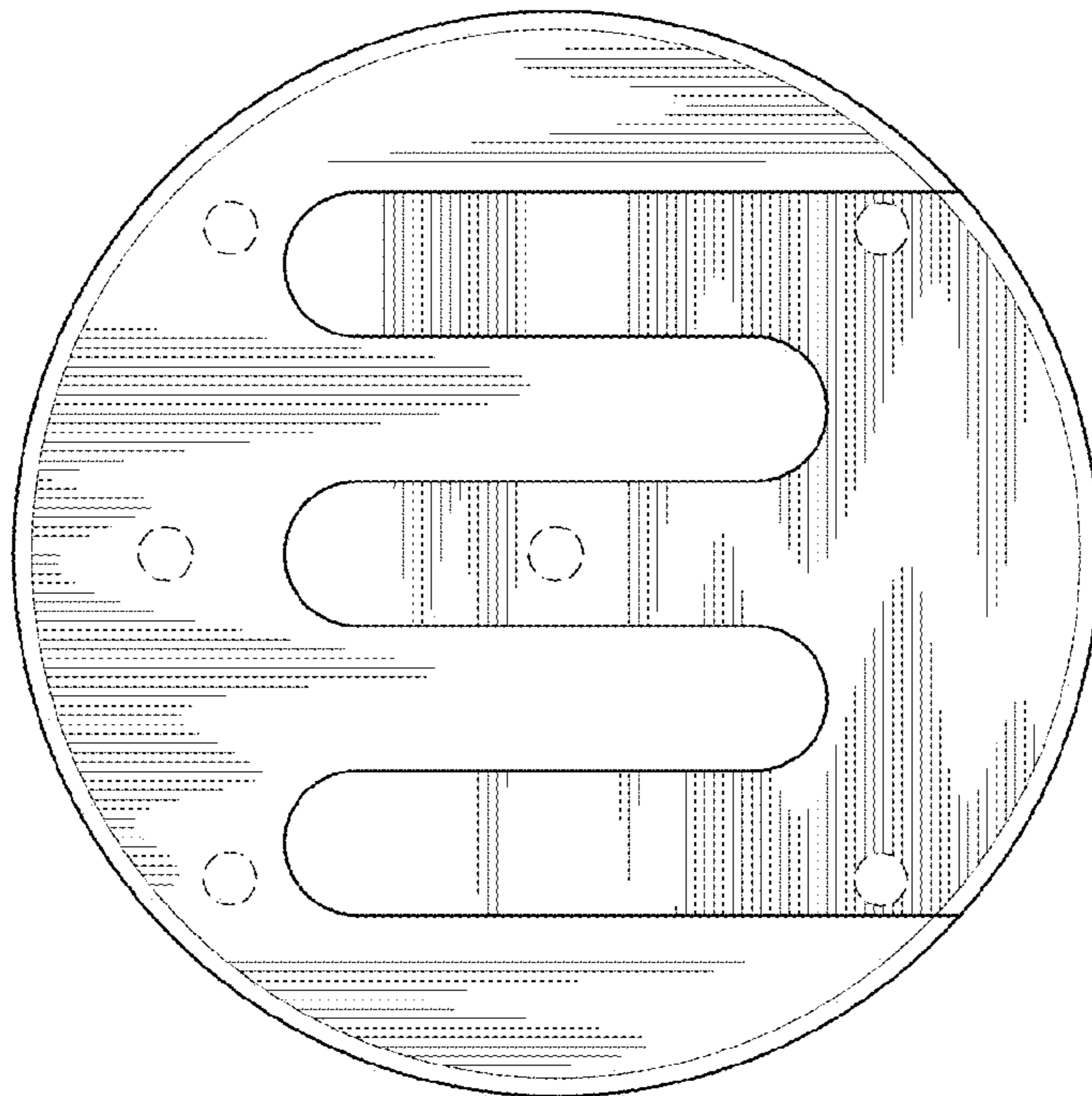


FIG. 7

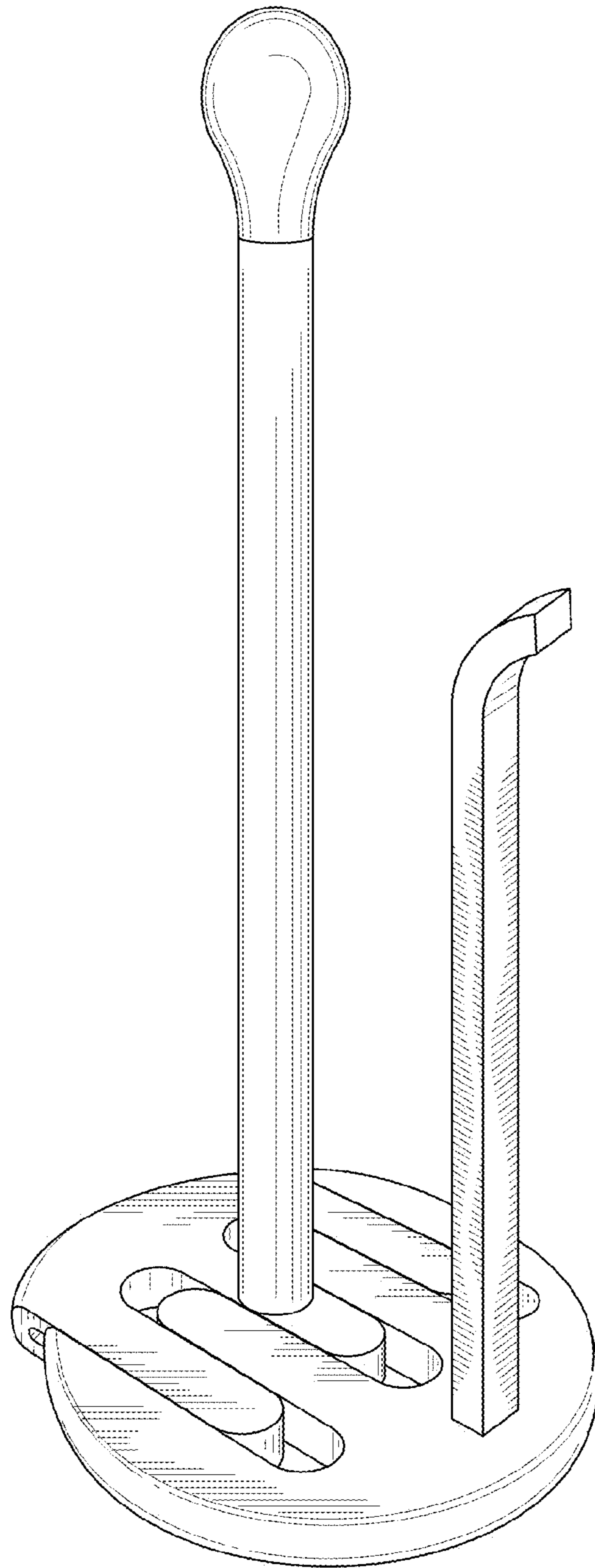


FIG. 8

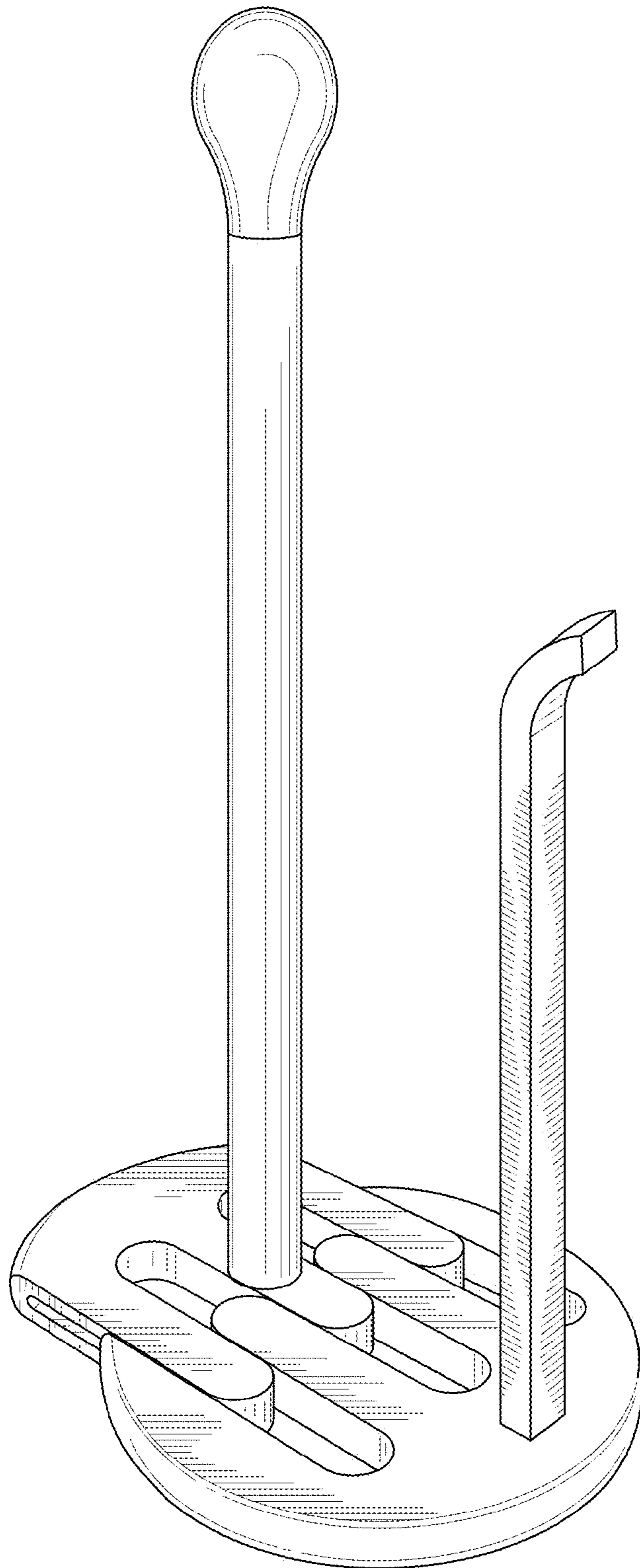


FIG. 9