



US00D716570S

(12) **United States Design Patent**
Keen et al.

(10) **Patent No.:** **US D716,570 S**
(45) **Date of Patent:** **** Nov. 4, 2014**

(54) **PORTABLE SEAT**

(71) Applicant: **FocalUprightFurniture, LLC,**
Jamestown, RI (US)

(72) Inventors: **Martin Keen,** Jamestown, RI (US);
Diau P. Hall, Cranston, RI (US)

(73) Assignee: **Focal Upright Furniture, LLC,** North
Kingstown, RI (US)

(**) Term: **14 Years**

(21) Appl. No.: **29/452,378**

(22) Filed: **Apr. 16, 2013**

(51) **LOC (10) Cl.** **06-01**

(52) **U.S. Cl.**

USPC **D6/353;** D6/349; D6/364

(58) **Field of Classification Search**

CPC A47C 1/14; A47C 3/16-3/20; A47C 4/00;
A47C 4/28; A47C 5/02; A47C 7/02; A47C
9/00; A47C 9/02; A47C 9/002; A47C 9/007;
A47C 9/025; A47C 11/00; A47C 12/00;
A47C 13/00; A47C 16/02

USPC D6/335, 344, 347, 349-355, 358, 360,
D6/363-365, 367-370, 685, 687, 688, 690,
D6/691-691.6, 692, 694, 716-716.7

See application file for complete search history.

(56) **References Cited**

U.S. PATENT DOCUMENTS

731,437 A * 6/1903 Ozermak et al. 248/155.1
D229,880 S * 1/1974 Keith D6/354
D261,450 S * 10/1981 Jenkins D6/354
4,700,914 A * 10/1987 Cheetham 248/155.1

D365,695 S * 1/1996 Sibbitt, Sr. D6/364
6,062,638 A * 5/2000 Ferguson 297/4
D459,598 S * 7/2002 Andersen et al. D6/349
D467,745 S * 12/2002 Ryan D6/364
D473,389 S * 4/2003 Ryan D6/364

OTHER PUBLICATIONS

MOGO. [online] Retrieved May 5, 2014 from URL: <<https://store.focaluprightfurniture.com/mogo.html>>.*

* cited by examiner

Primary Examiner — Susan Bennett Hattan

Assistant Examiner — Vy Koenig

(74) *Attorney, Agent, or Firm* — Barlow, Josephs & Holmes,
Ltd.

(57) **CLAIM**

The ornamental design for a portable seat, as shown and described.

DESCRIPTION

FIG. 1 is a front perspective view of the portable seat showing the new design in a retracted condition;

FIG. 2 is a front view thereof;

FIG. 3 is a rear view thereof;

FIG. 4 is a left view thereof;

FIG. 5 is a right view thereof;

FIG. 6 is a top view thereof;

FIG. 7 is a bottom view thereof;

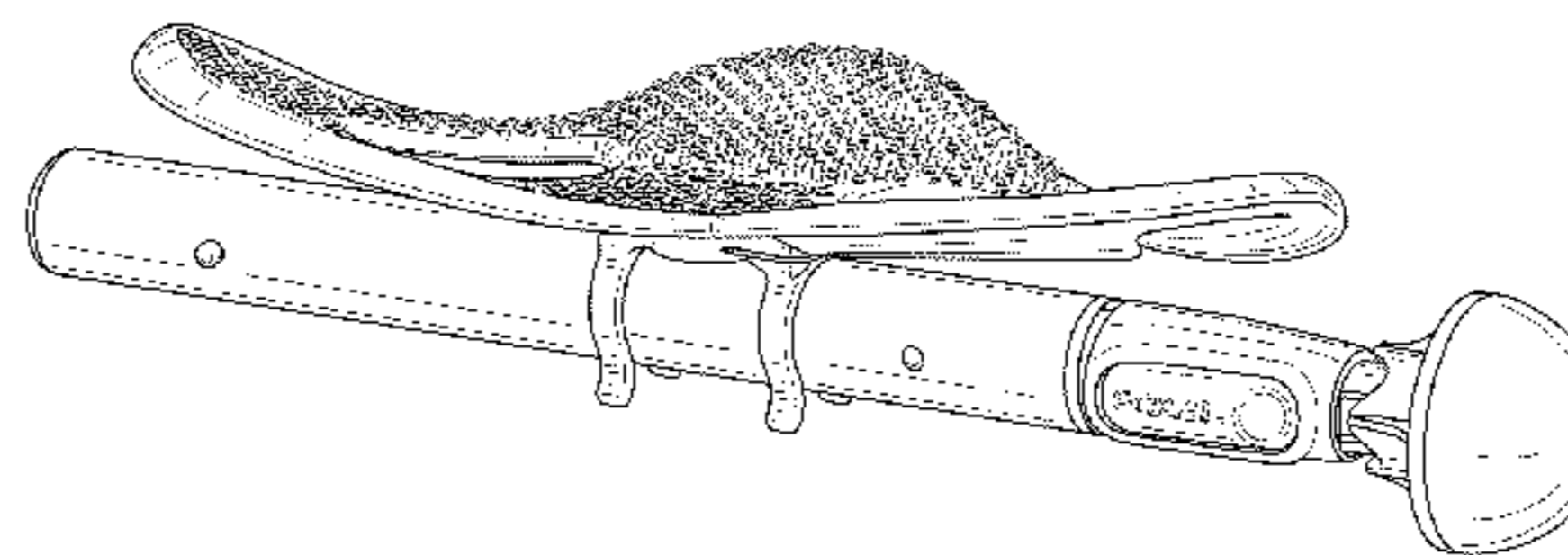
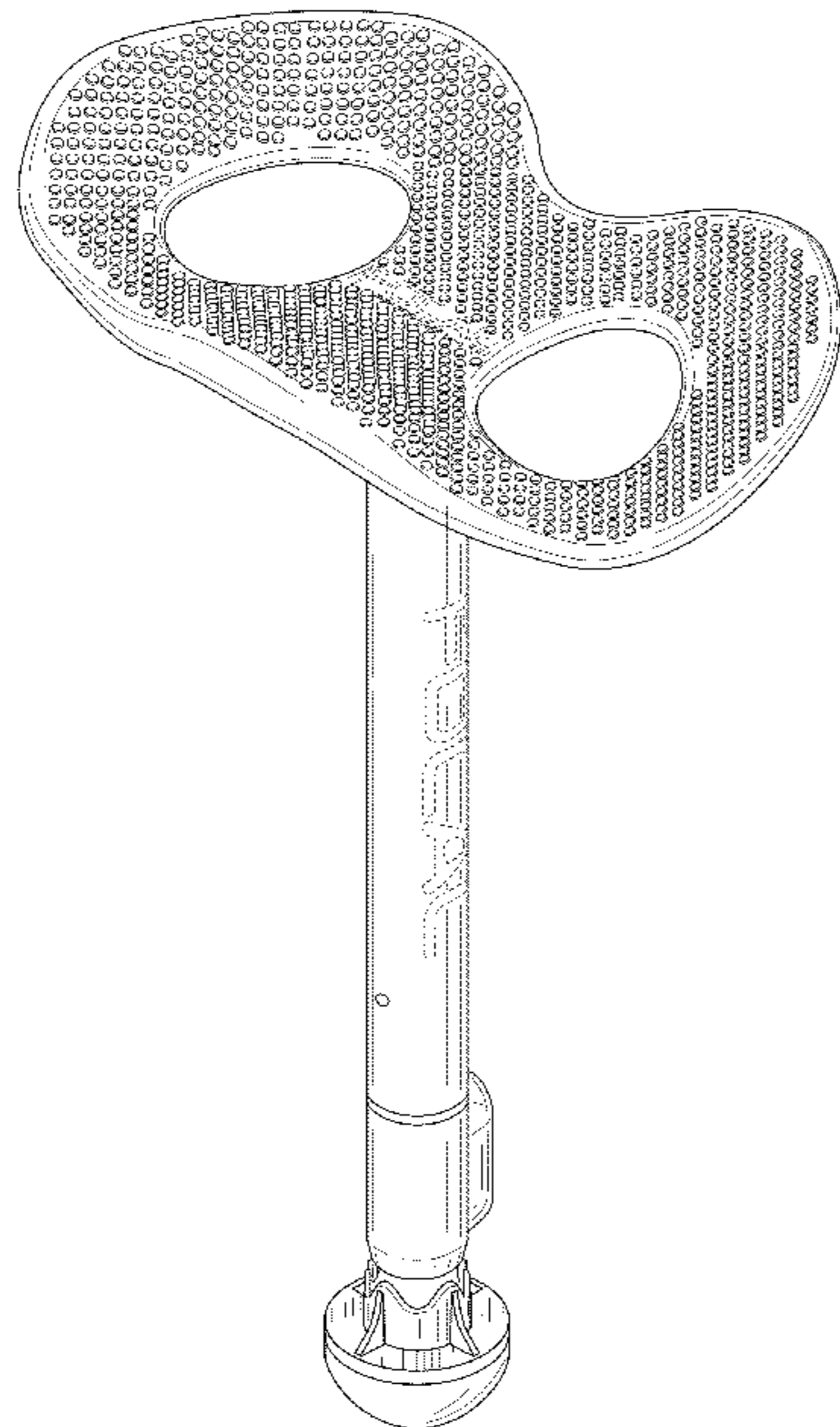
FIG. 8 is a perspective view of the portable seat in an expanded condition of use;

FIG. 9 is a perspective view of the portable seat of FIG. 1 with the bottom foot member in an inverted mode of use; and,

FIG. 10 is a front perspective view of the portable seat in a collapsed stored condition.

The broken lines shown in the drawings depict environmental subject matter and form no part of the claimed design.

1 Claim, 10 Drawing Sheets



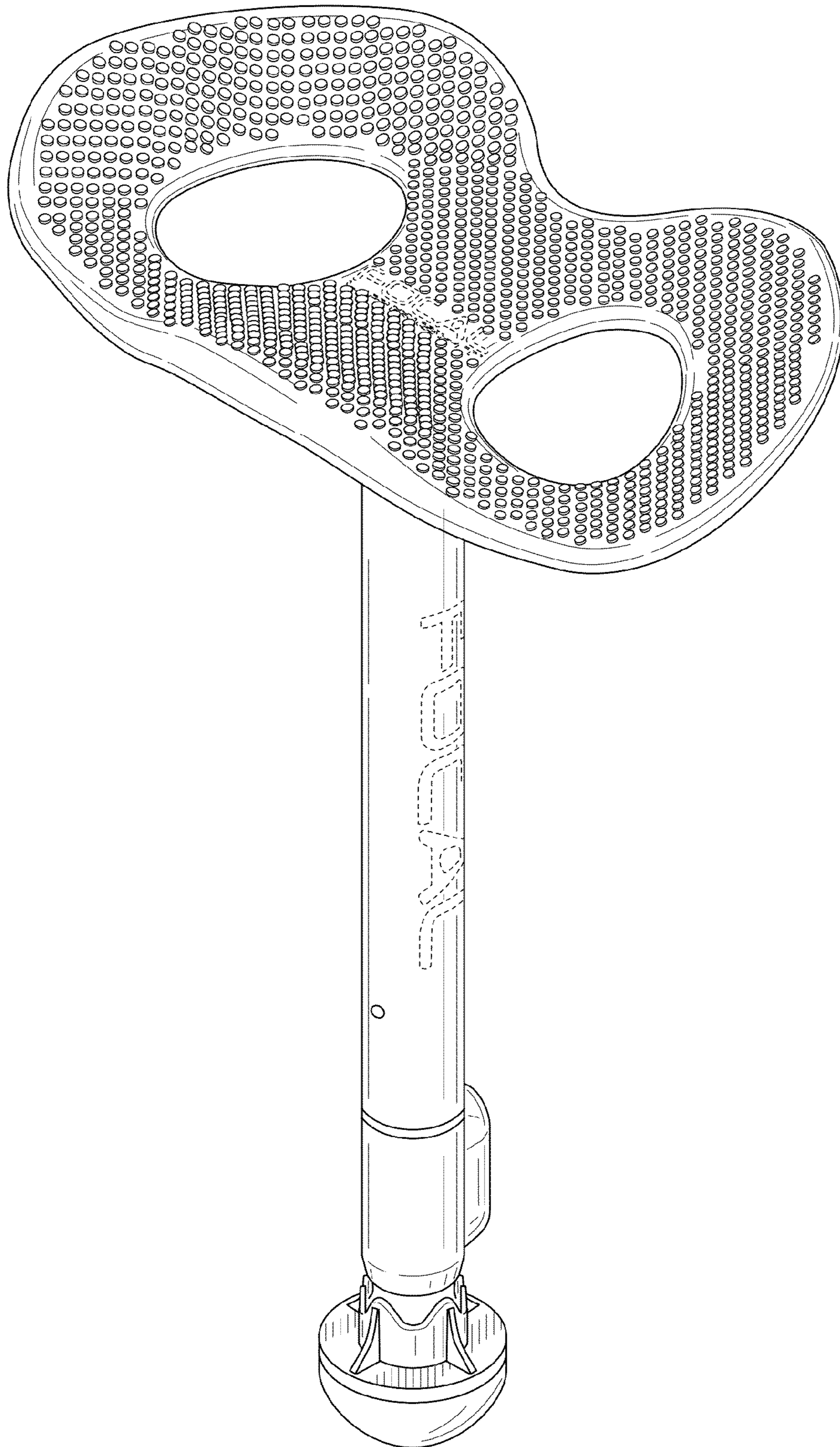


FIG. 1

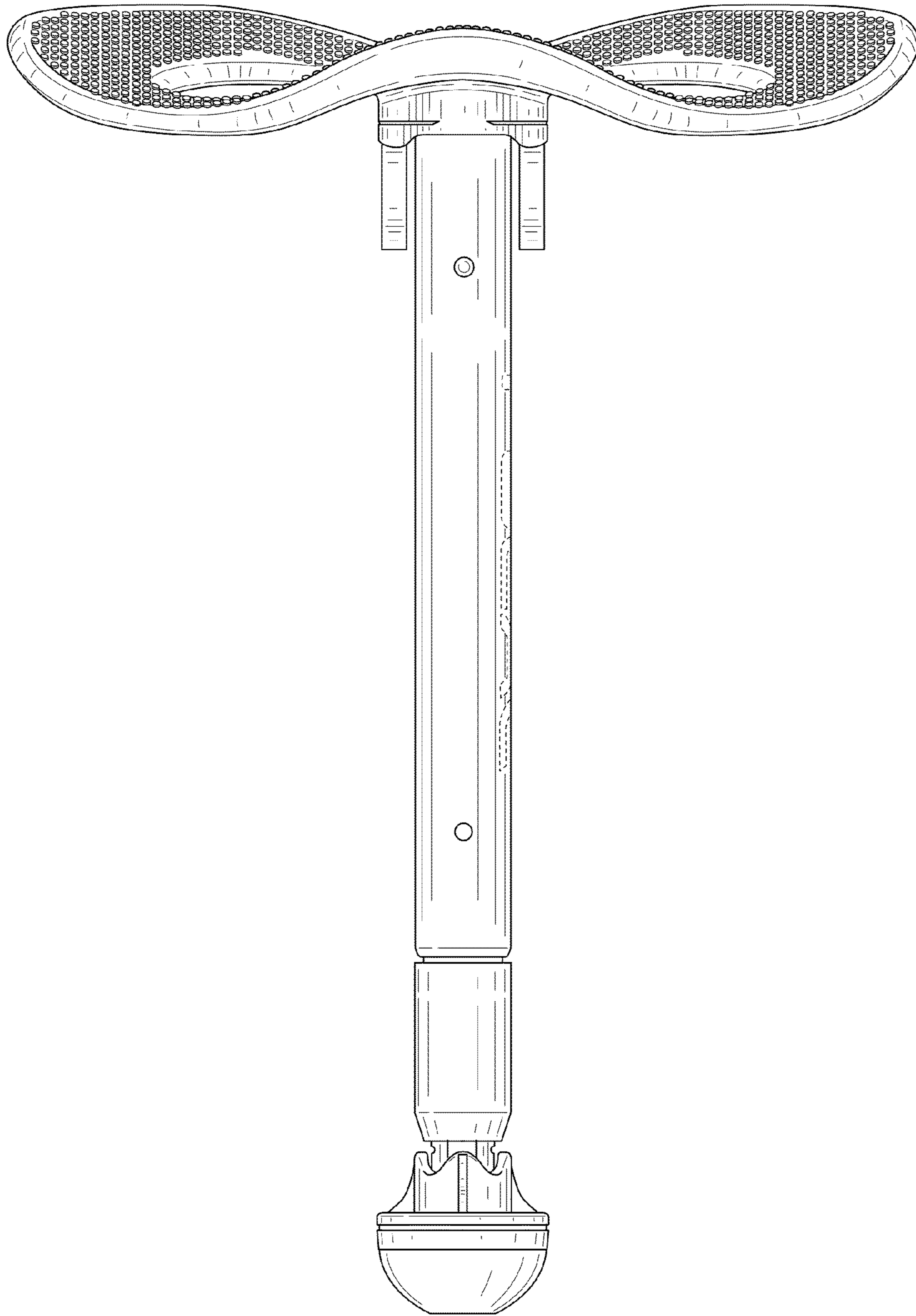


FIG. 2

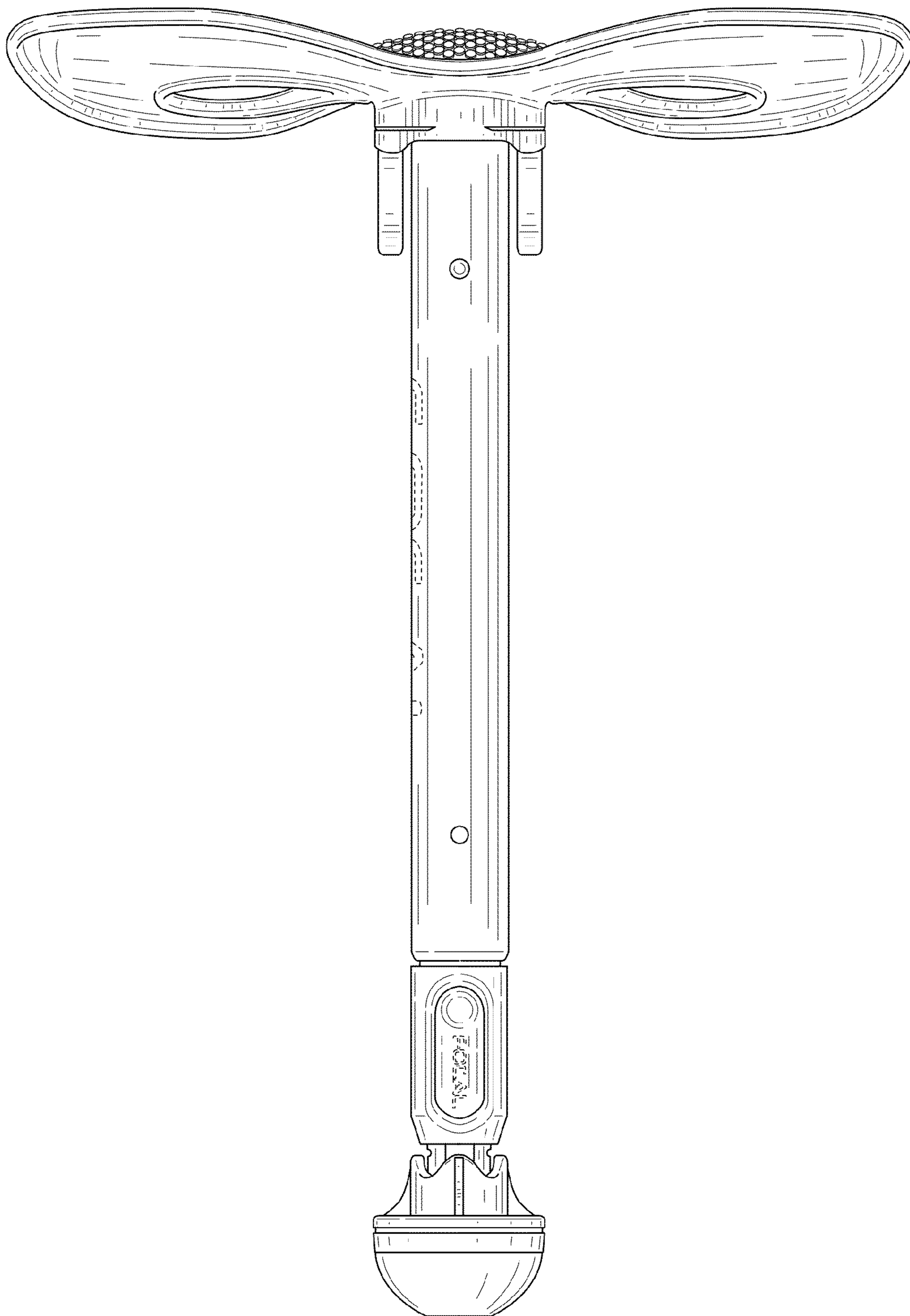


FIG. 3

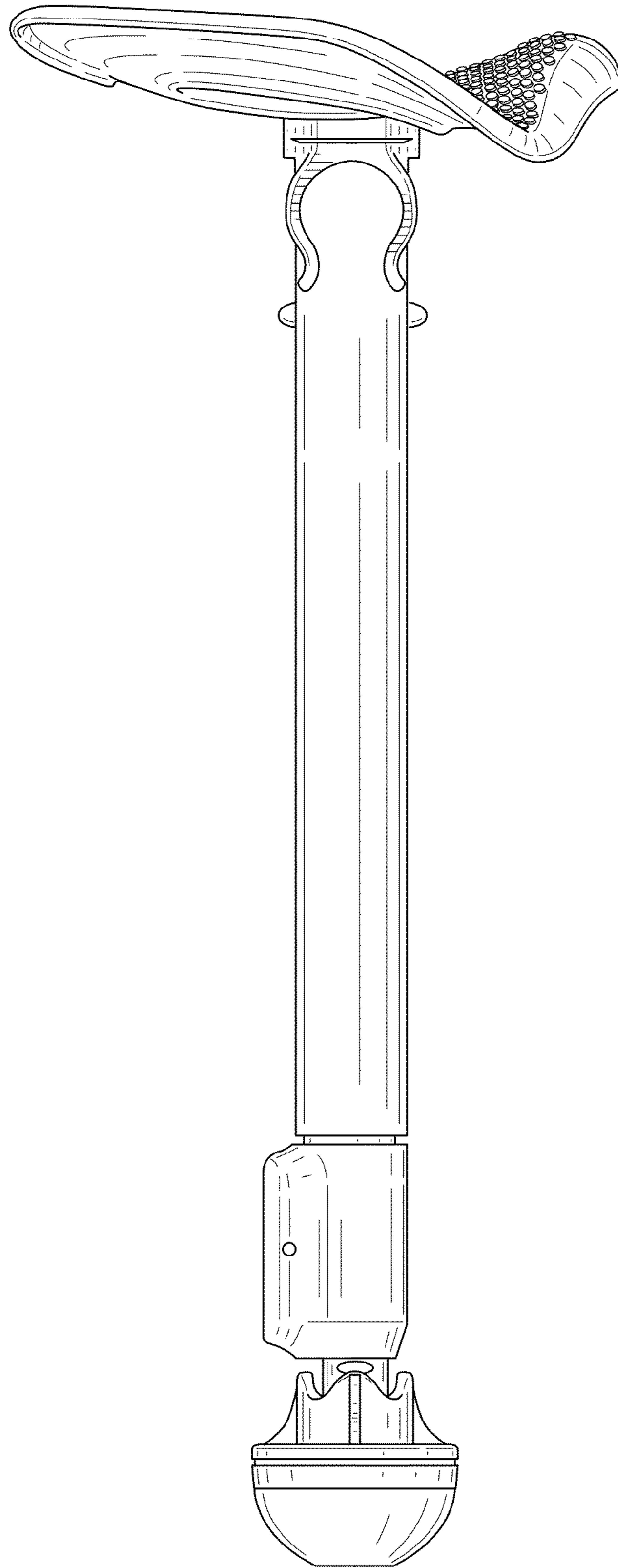


FIG. 4

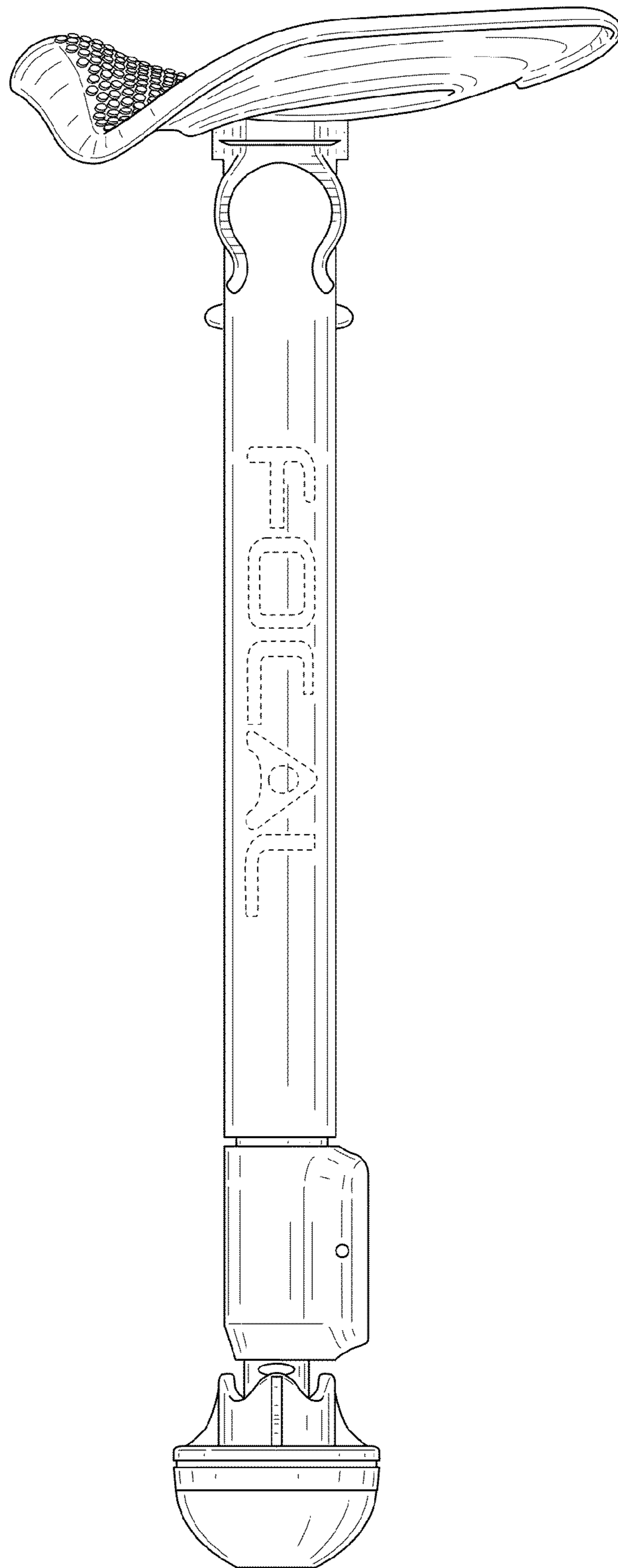


FIG. 5

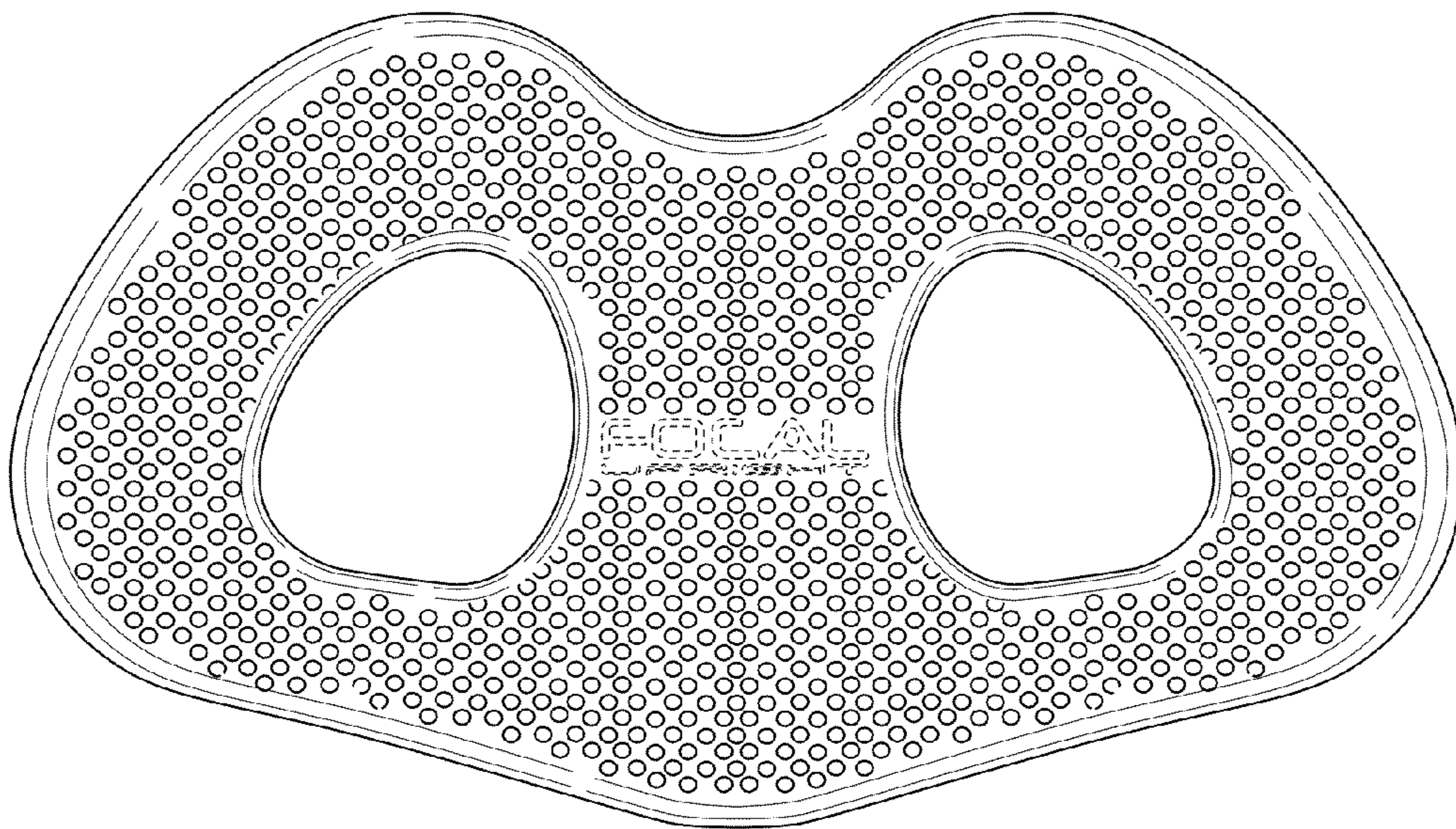


FIG. 6

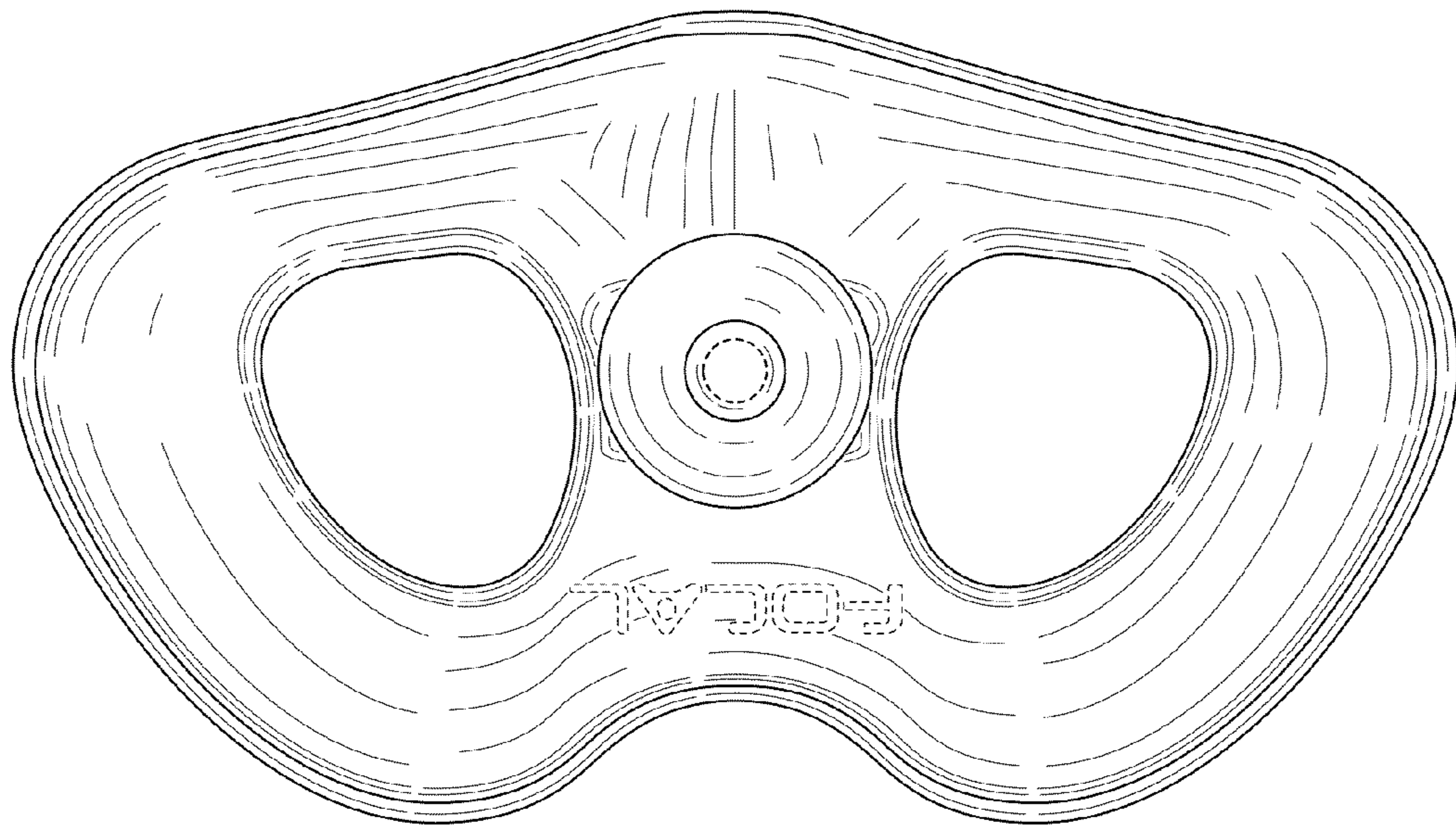


FIG. 7

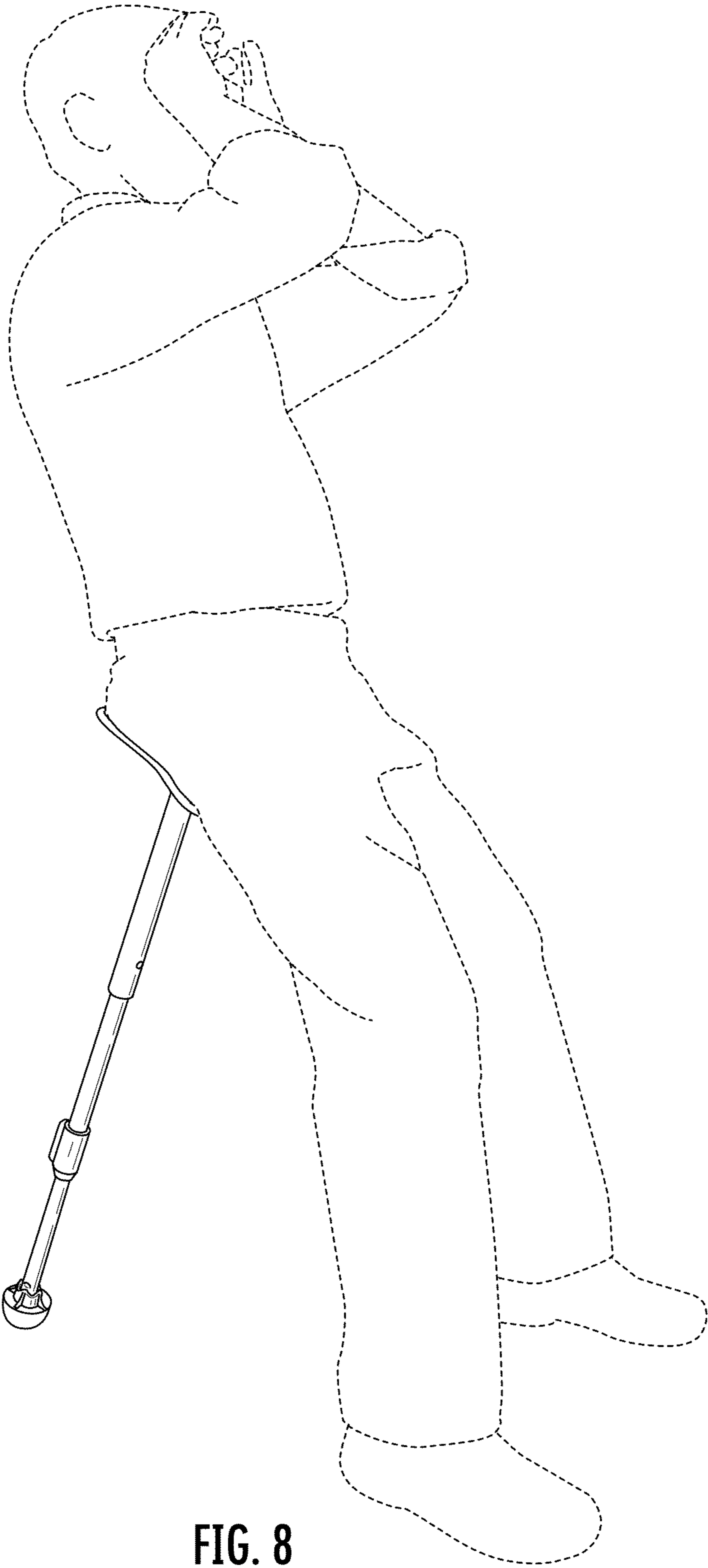


FIG. 8

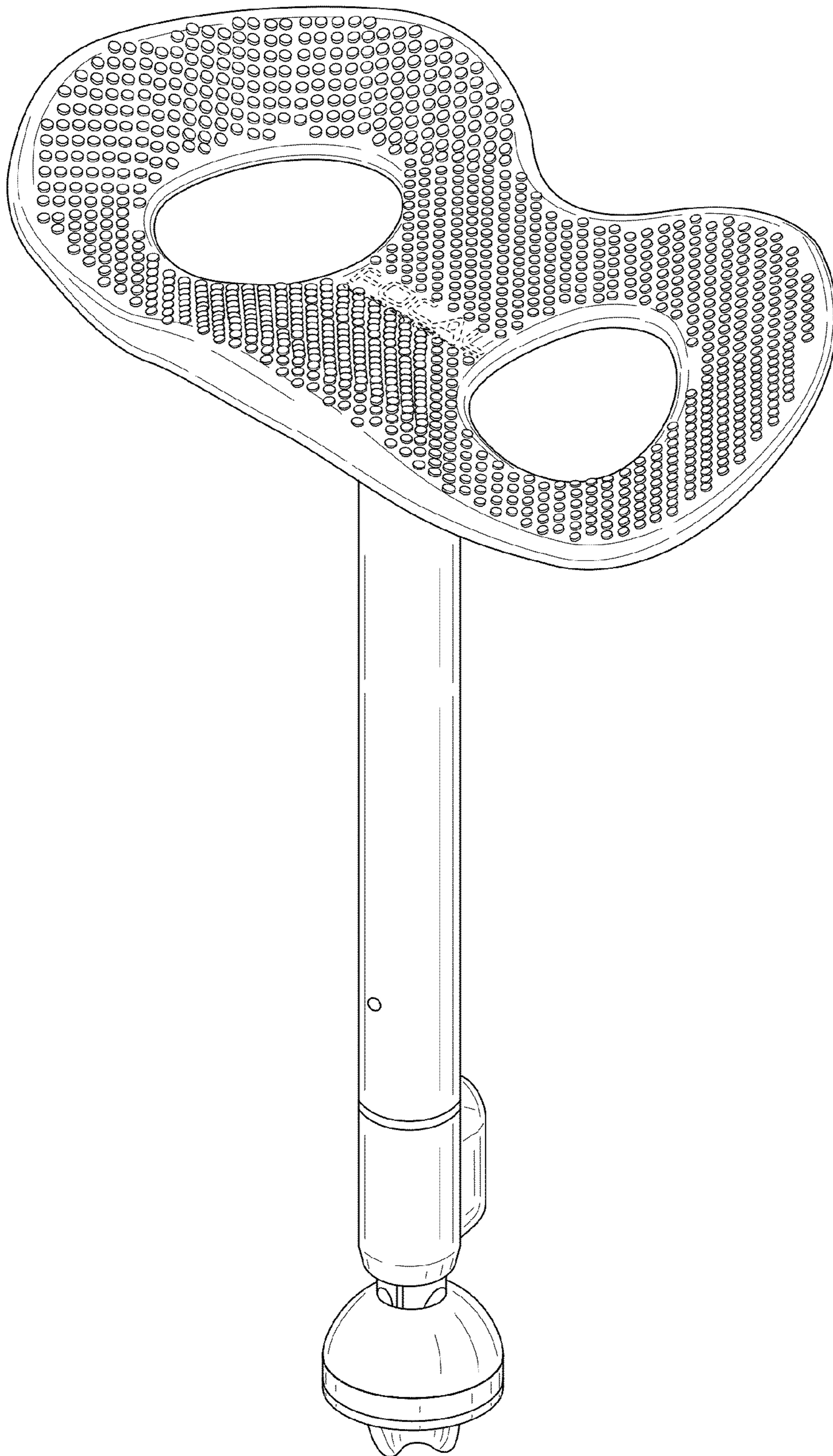


FIG. 9

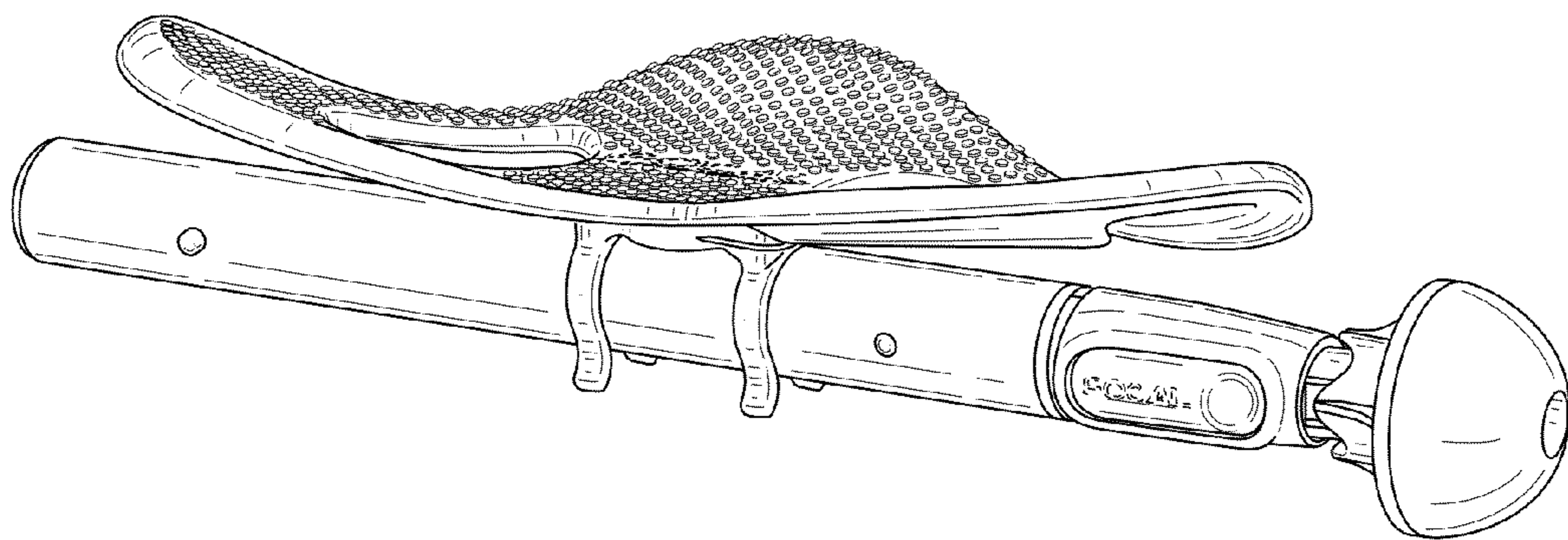


FIG. 10