



US00D716569S

(12) **United States Design Patent**  
**Werner**

(10) **Patent No.:** **US D716,569 S**  
(45) **Date of Patent:** **\*\* Nov. 4, 2014**

(54) **PORTABLE STOOL**

(71) Applicant: **Thomas J. Werner**, Portland, OR (US)  
(72) Inventor: **Thomas J. Werner**, Portland, OR (US)  
(\*\*) Term: **14 Years**  
(21) Appl. No.: **29/475,642**

(22) Filed: **Dec. 4, 2013**

(51) **LOC (10) Cl.** ..... **06-01**

(52) **U.S. Cl.**  
USPC ..... **D6/352**; D6/349; D6/360

(58) **Field of Classification Search**  
CPC ..... A47C 1/14; A47C 3/16-3/20; A47C 4/00;  
A47C 4/28; A47C 5/02; A47C 7/02; A47C  
9/00; A47C 9/02; A47C 9/002; A47C 9/007;  
A47C 9/025; A47C 11/00; A47C 12/00;  
A47C 13/00; A47C 16/02  
USPC ..... D6/335, 340, 344, 347, 349-355, 358,  
D6/360, 363-373, 381, 685, 687, 688, 690,  
D6/691-691.6, 692, 692.4, 694, 703.15,  
D6/708.21, 708.22, 709.22, 716-716.7,  
D6/717

See application file for complete search history.

(56) **References Cited**

U.S. PATENT DOCUMENTS

D106,780 S *	11/1937	Bentz .....	D6/352
D174,695 S *	5/1955	Kipp .....	D6/352
D232,880 S *	9/1974	Samhammer .....	D6/352
D367,789 S *	3/1996	Barile .....	D6/500
D396,565 S *	8/1998	Gager et al. ....	D6/349
D535,828 S *	1/2007	Gasca Burges .....	D6/349
D579,676 S *	11/2008	Rheault et al. ....	D6/349
D693,136 S *	11/2013	Lee .....	D6/349

\* cited by examiner

*Primary Examiner* — Susan Bennett Hattan

*Assistant Examiner* — Vy Koenig

(74) *Attorney, Agent, or Firm* — Mohr Intellectual Property Law Solutions, PC

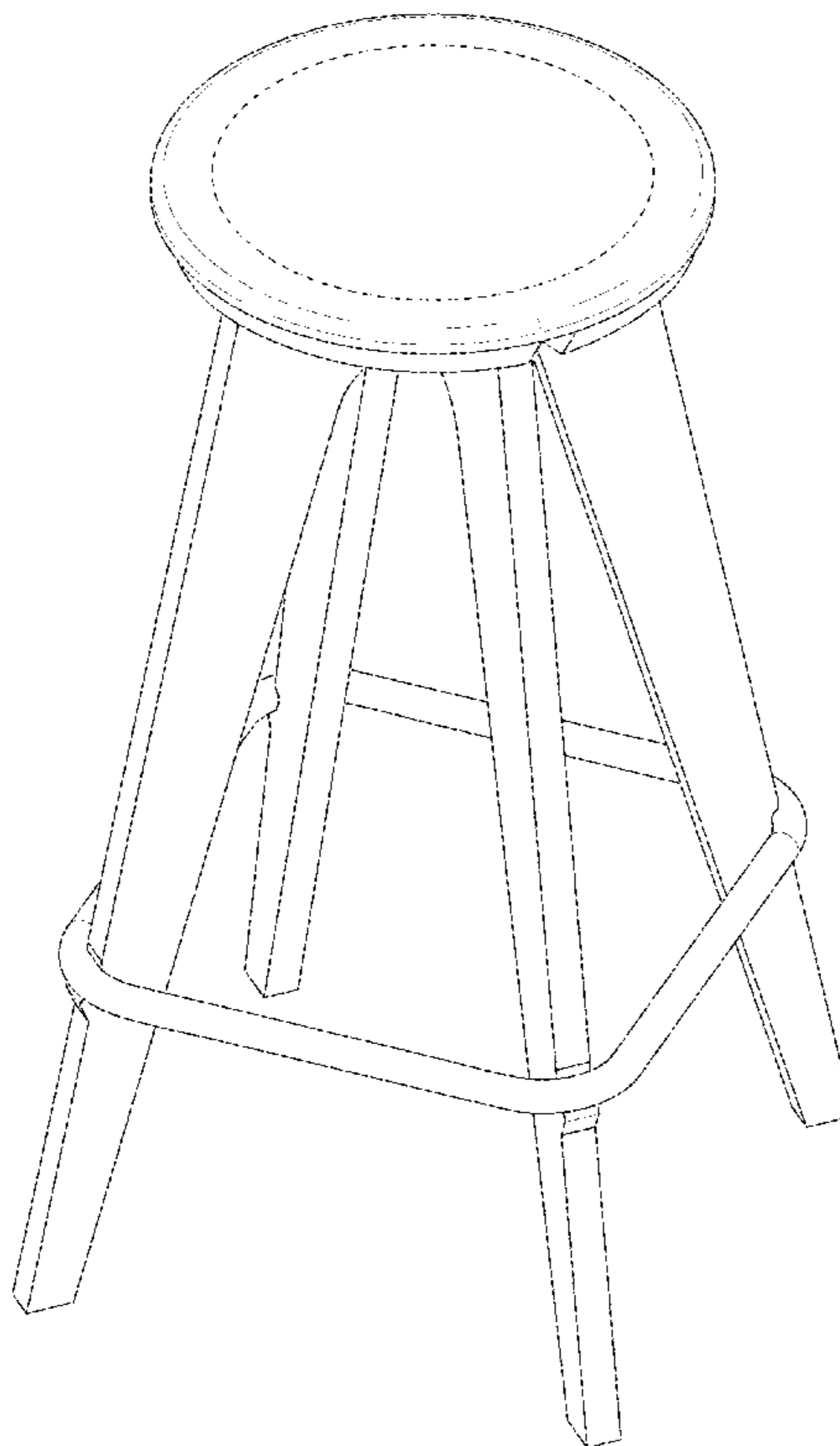
(57) **CLAIM**

I claim the ornamental design for a portable stool, as shown and described.

**DESCRIPTION**

FIG. 1 is a perspective view of a portable stool.  
FIG. 2 is a front elevation view of the portable stool.  
FIG. 3 is a first side elevation view of the portable stool.  
FIG. 4 is a rear elevation view of the portable stool.  
FIG. 5 is a second elevation view of the portable stool opposite the first side elevation view; and,  
FIG. 6 is a top plan view of the portable stool.  
The broken lines shown in the drawings depict environmental features that form no part of the claimed design.

**1 Claim, 6 Drawing Sheets**



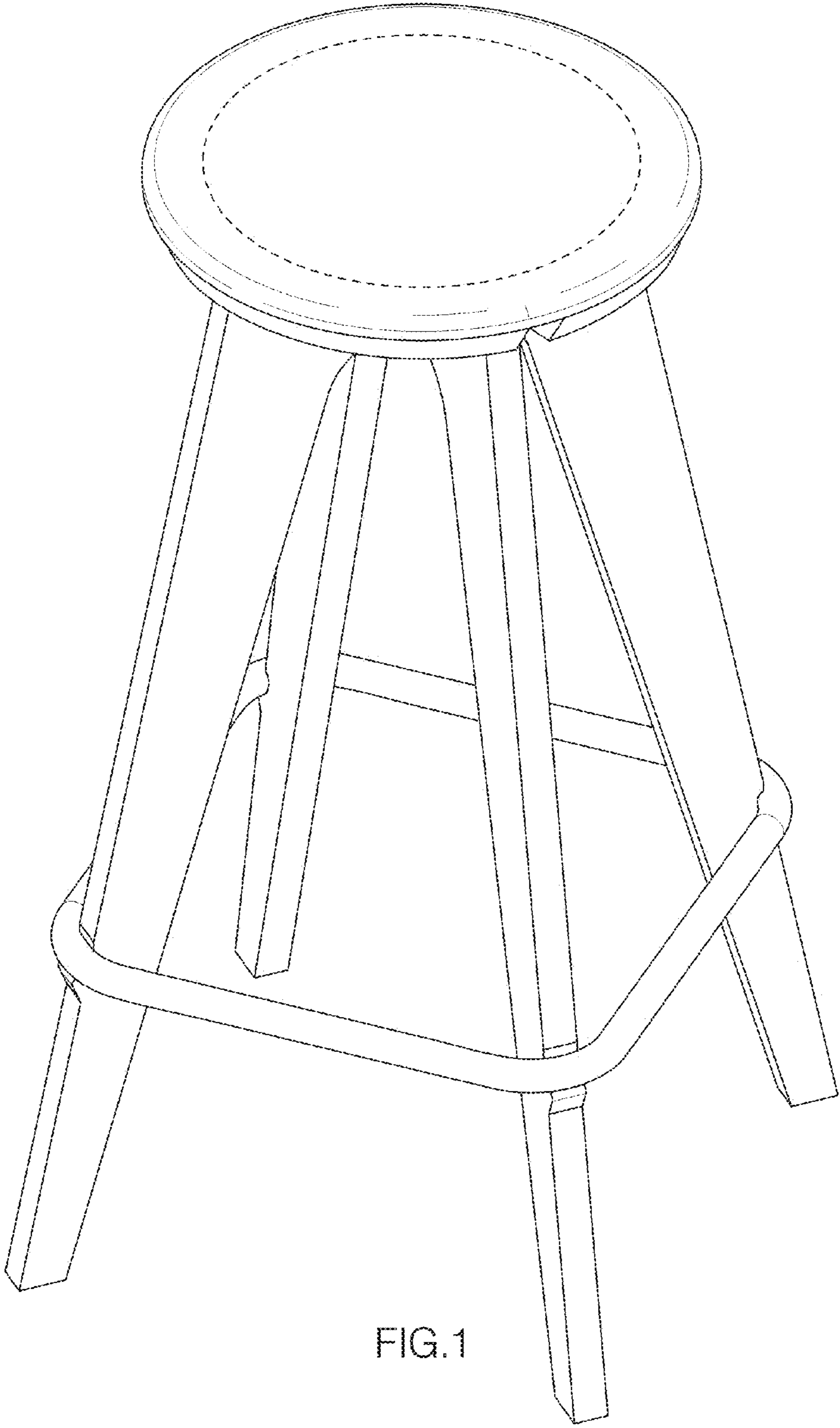


FIG. 1

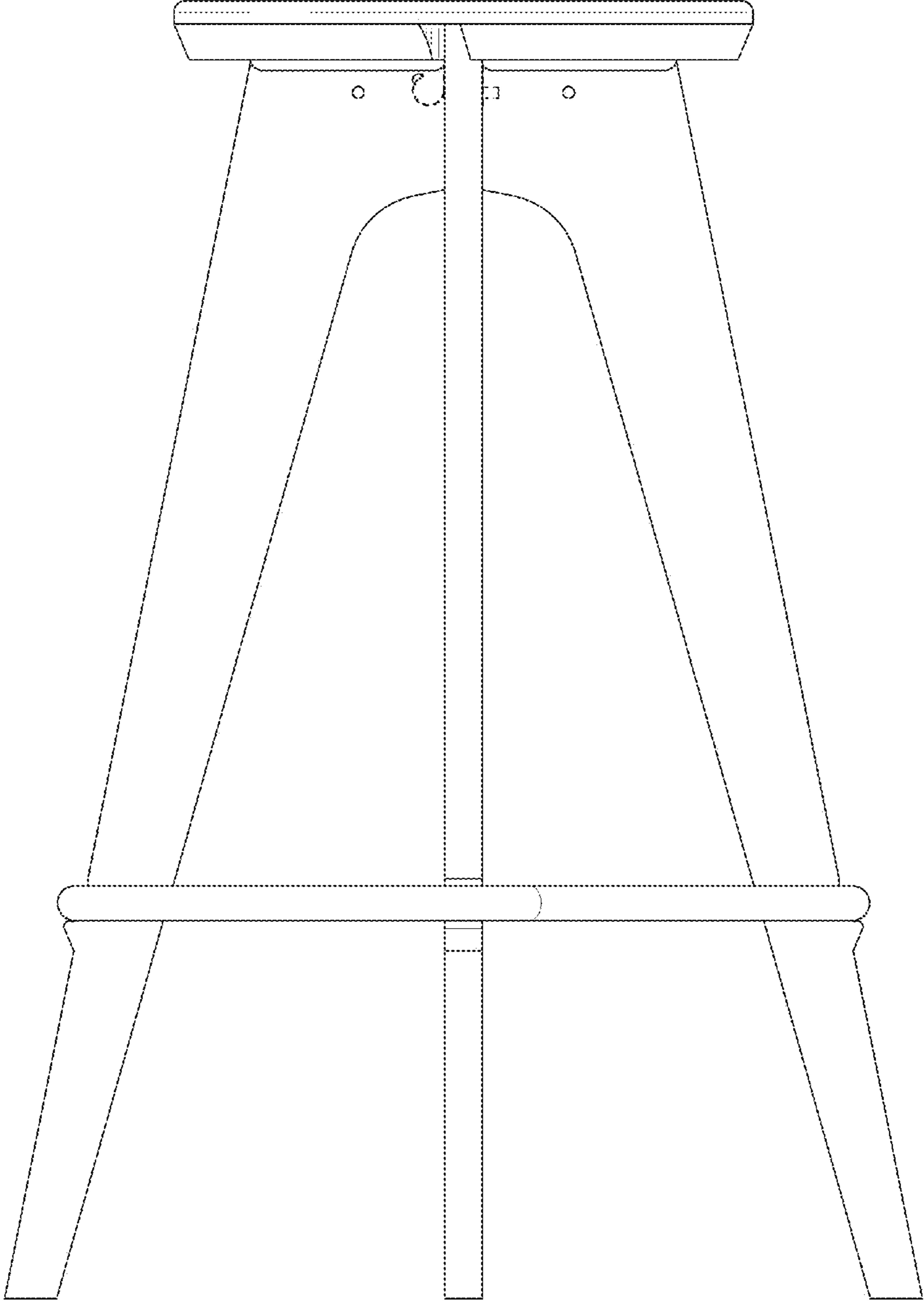


FIG. 2

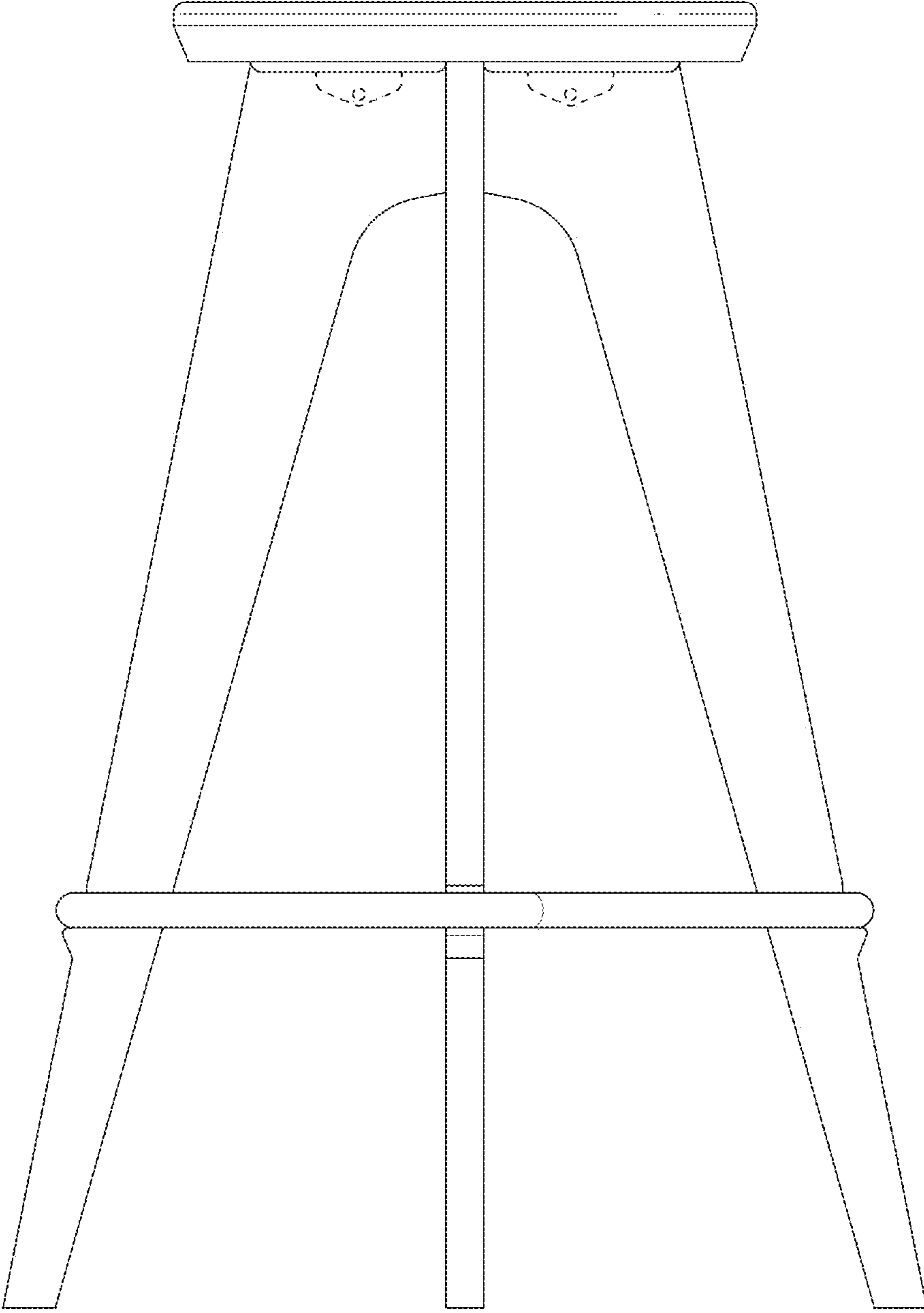


FIG.3

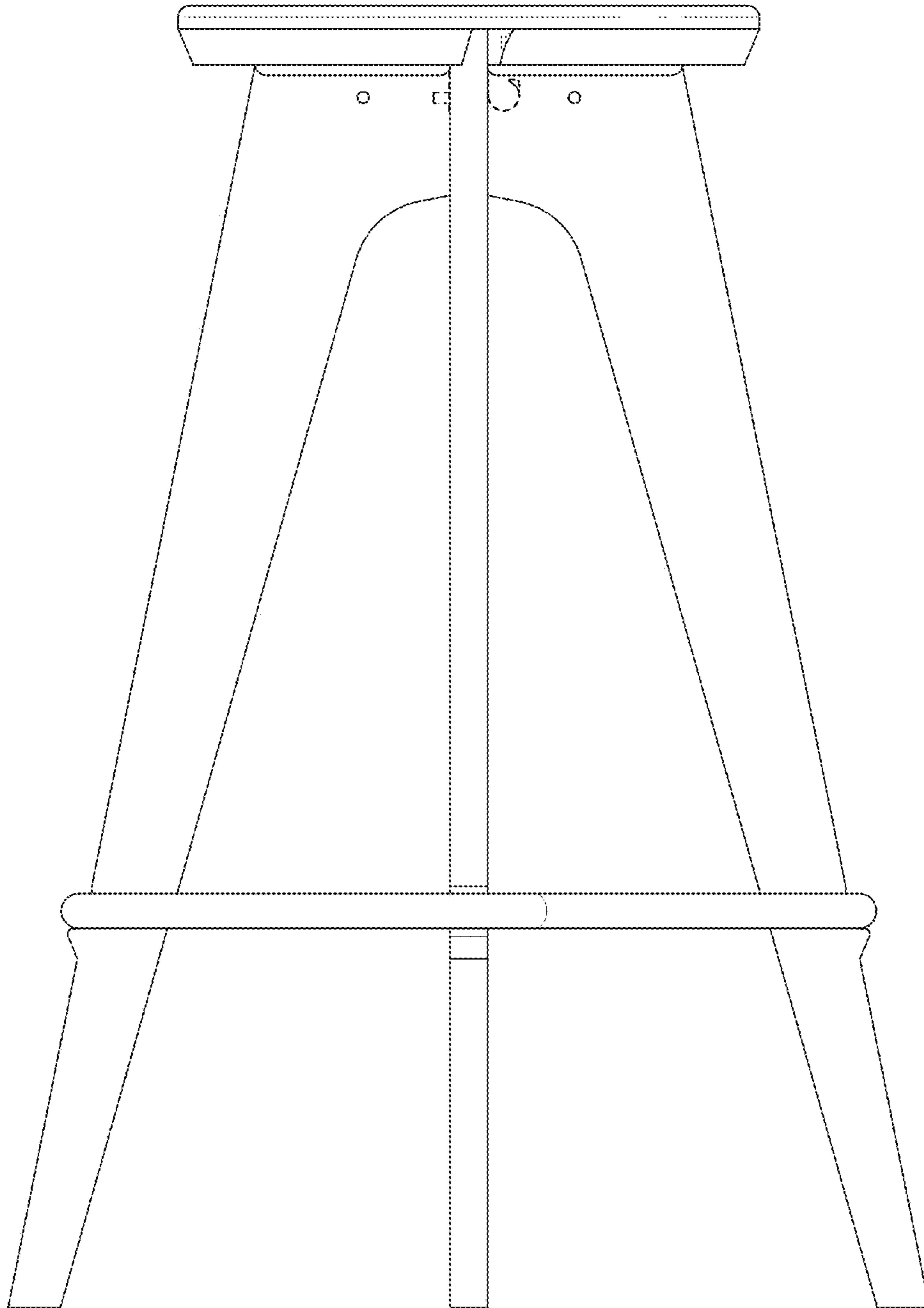


FIG. 4

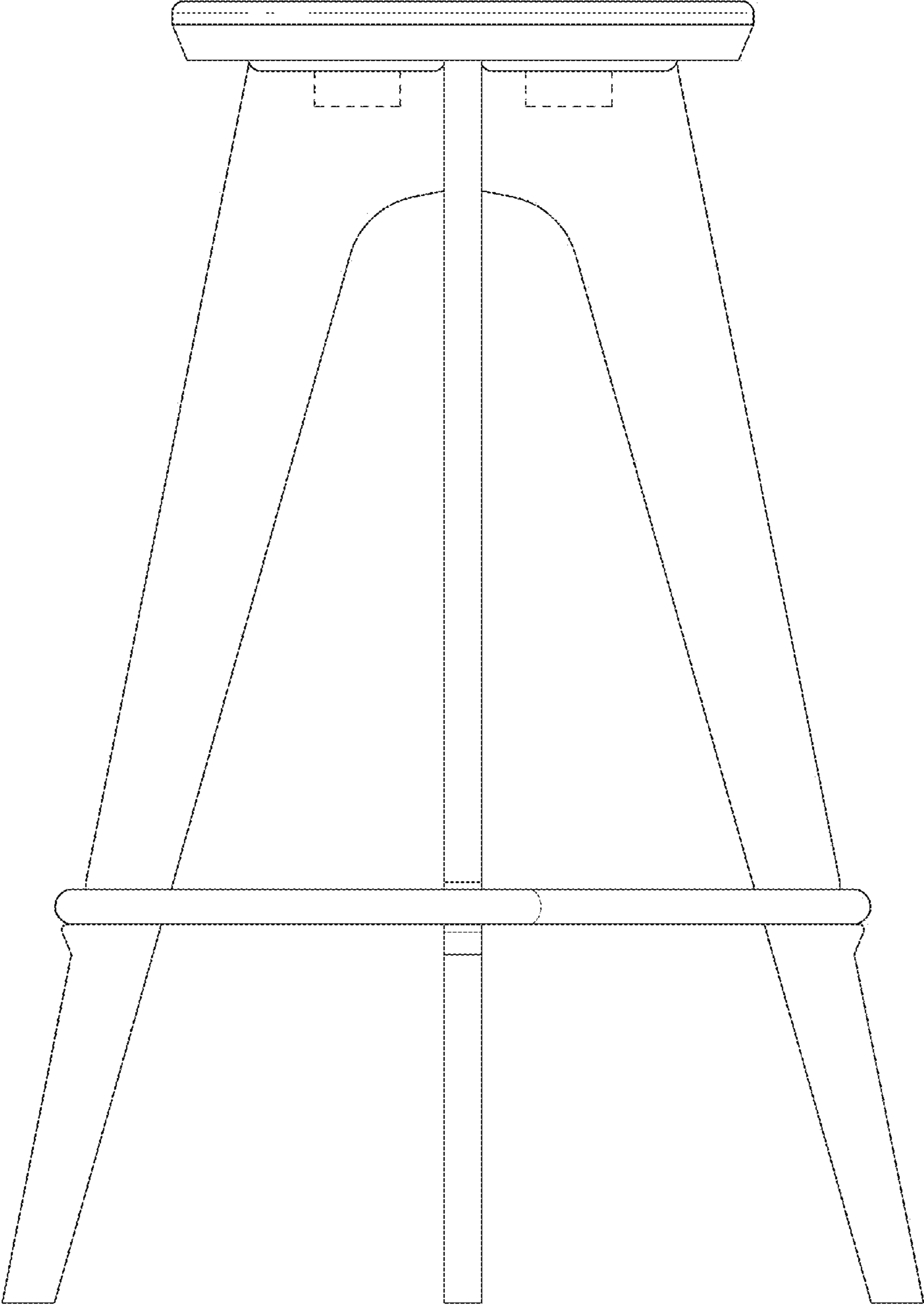


FIG. 5

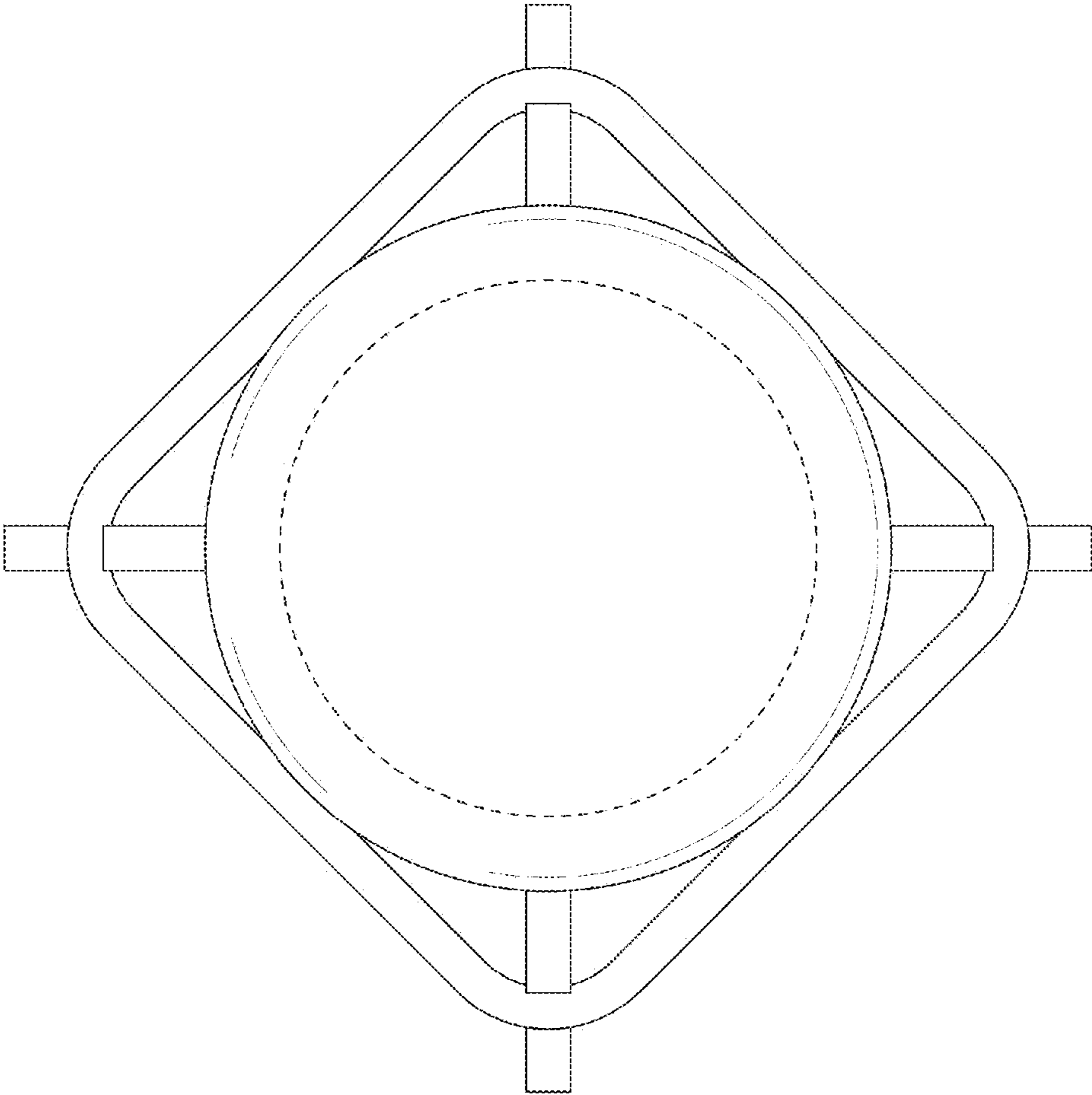


FIG.6