



US00D716567S

(12) **United States Design Patent**  
**George, II et al.**

(10) **Patent No.:** **US D716,567 S**  
(45) **Date of Patent:** **\*\* Nov. 4, 2014**

(54) **DORM CHAIR**

(71) Applicants: **Daniel C. George, II**, Grand Rapids, MI (US); **Matthew Jung**, Ada, MI (US)

(72) Inventors: **Daniel C. George, II**, Grand Rapids, MI (US); **Matthew Jung**, Ada, MI (US)

(73) Assignee: **Comfort Research, LLC**, Grand Rapids, MI (US)

(\*\*) Term: **14 Years**

(21) Appl. No.: **29/490,252**

(22) Filed: **May 8, 2014**

(51) **LOC (10) Cl.** ..... **06-01**

(52) **U.S. Cl.**  
USPC ..... **D6/334**

(58) **Field of Classification Search**  
USPC ..... D6/334, 335, 336, 379, 381; 297/94, 297/118, 232, 445.1, 448.1, DIG. 7

See application file for complete search history.

(56) **References Cited**

U.S. PATENT DOCUMENTS

D580,664 S \* 11/2008 Cramer et al. .... D6/334  
D603,613 S \* 11/2009 Wilson ..... D6/334  
D693,584 S \* 11/2013 Kanthasamy ..... D6/334

\* cited by examiner

*Primary Examiner* — Sandra Snapp

(74) *Attorney, Agent, or Firm* — King & Partners, PLC

(57) **CLAIM**

The ornamental design for a dorm chair, as shown and described.

**DESCRIPTION**

FIG. 1 is a front perspective view of a dorm chair showing, in particular, the ornamental design thereof.

FIG. 2 is a front end view of the dorm chair of FIG. 1.

FIG. 3 is a rear end view of the dorm chair of FIG. 1.

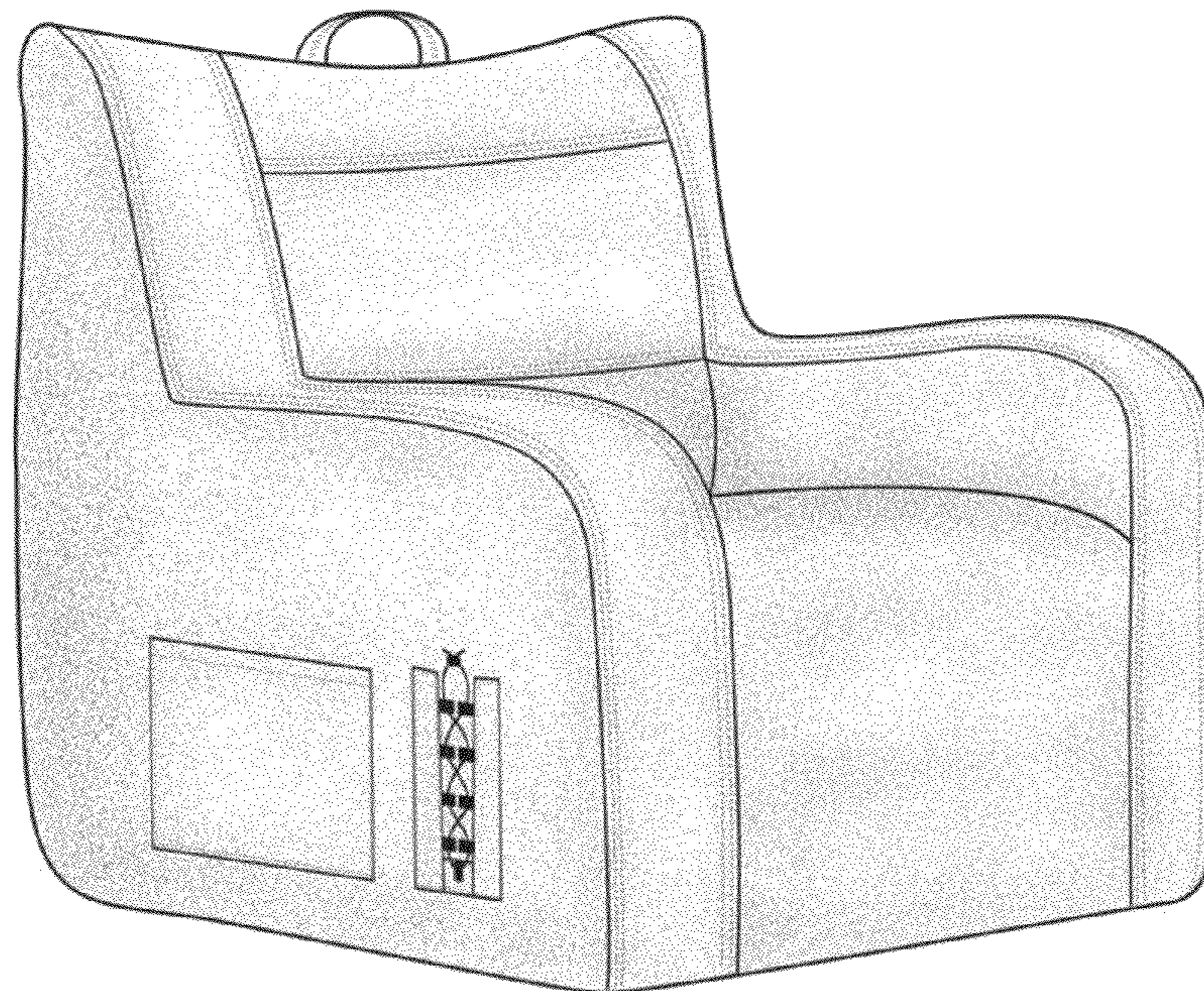
FIG. 4 is a left side view of the dorm chair of FIG. 1.

FIG. 5 is a right side view of the dorm chair of FIG. 1.

FIG. 6 is a top plan view of the dorm chair of FIG. 1; and,

FIG. 7 is a bottom plan view of the dorm chair of FIG. 1.

**1 Claim, 7 Drawing Sheets**



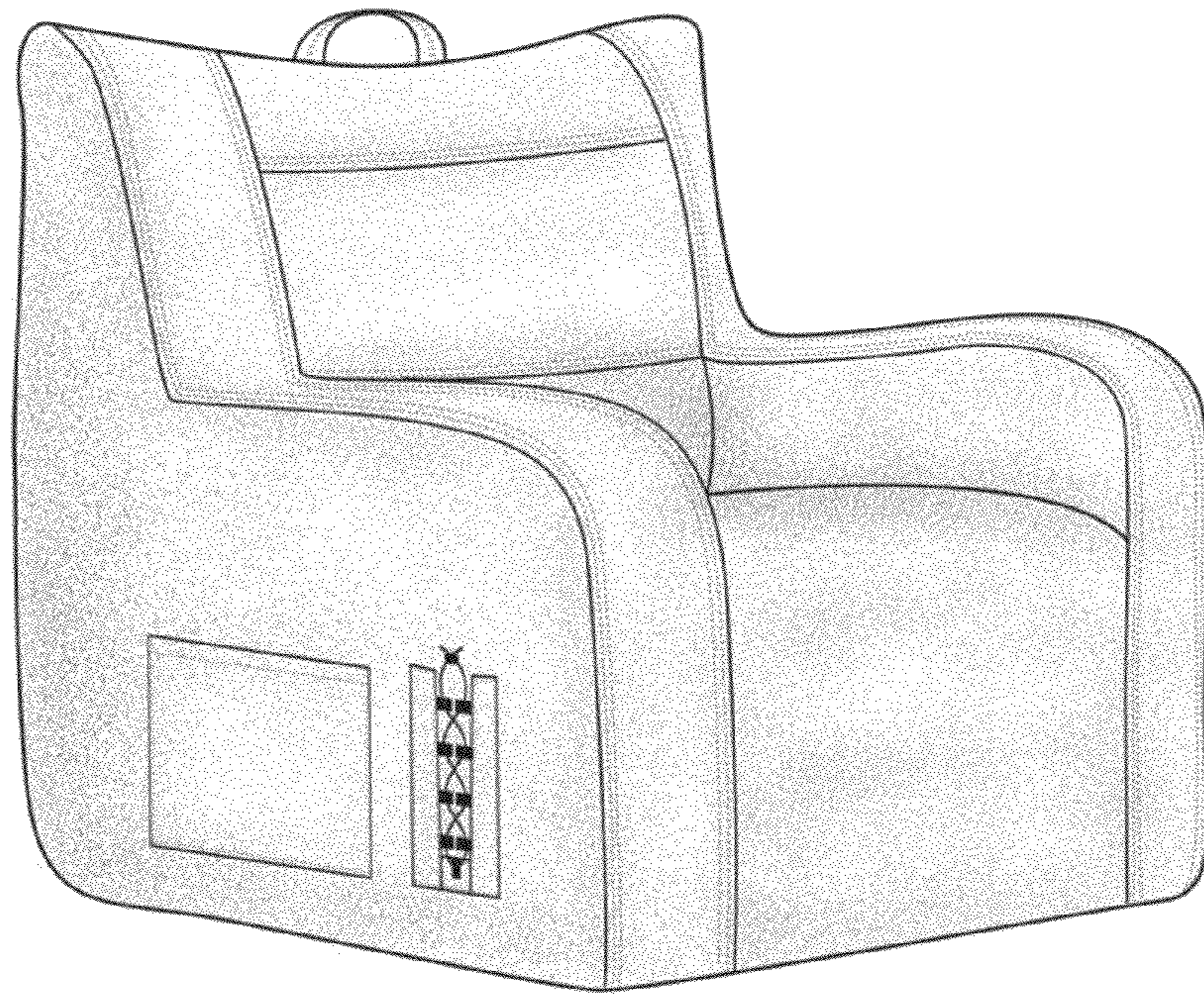


Figure 1

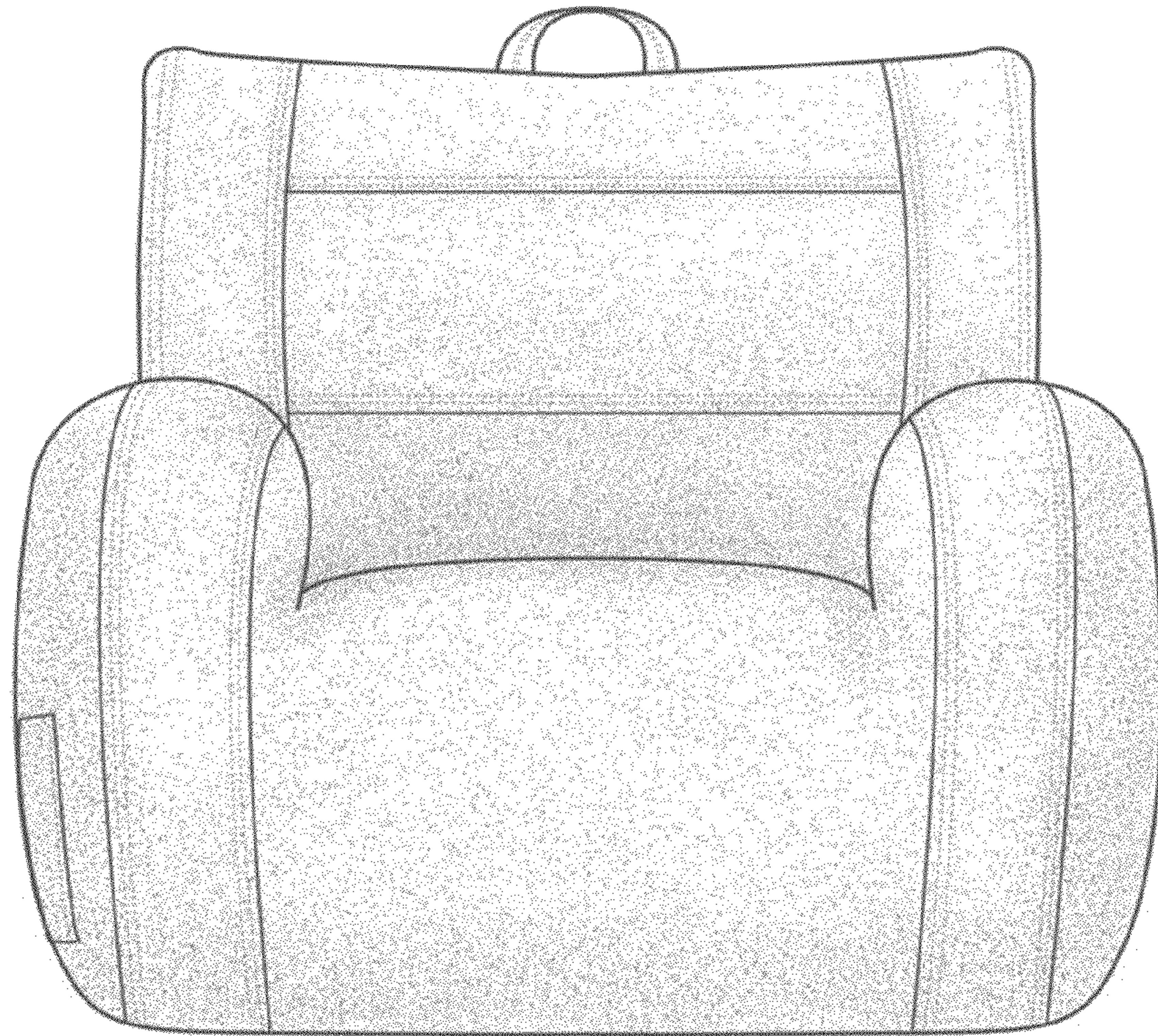


Figure 2

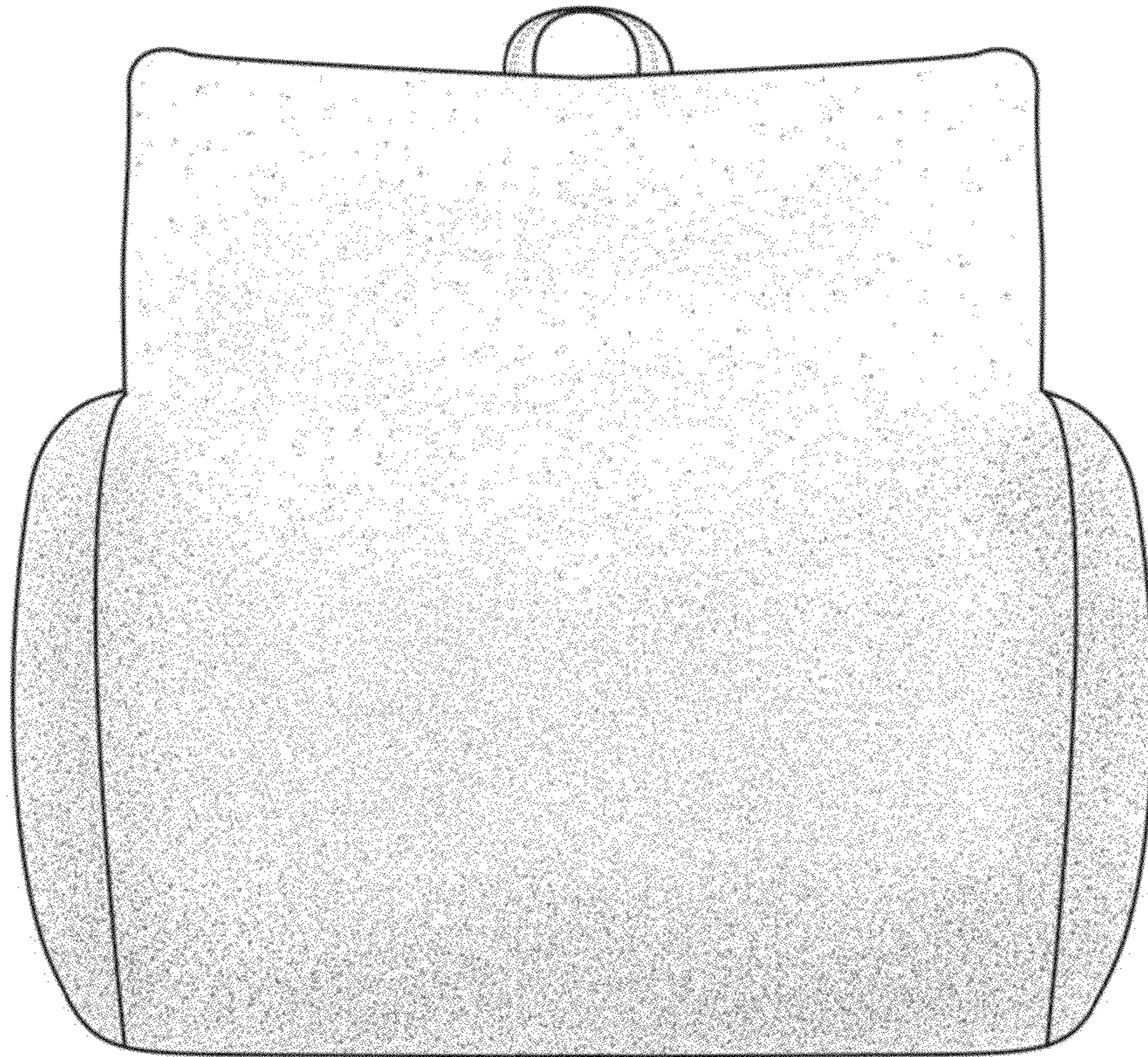


Figure 3

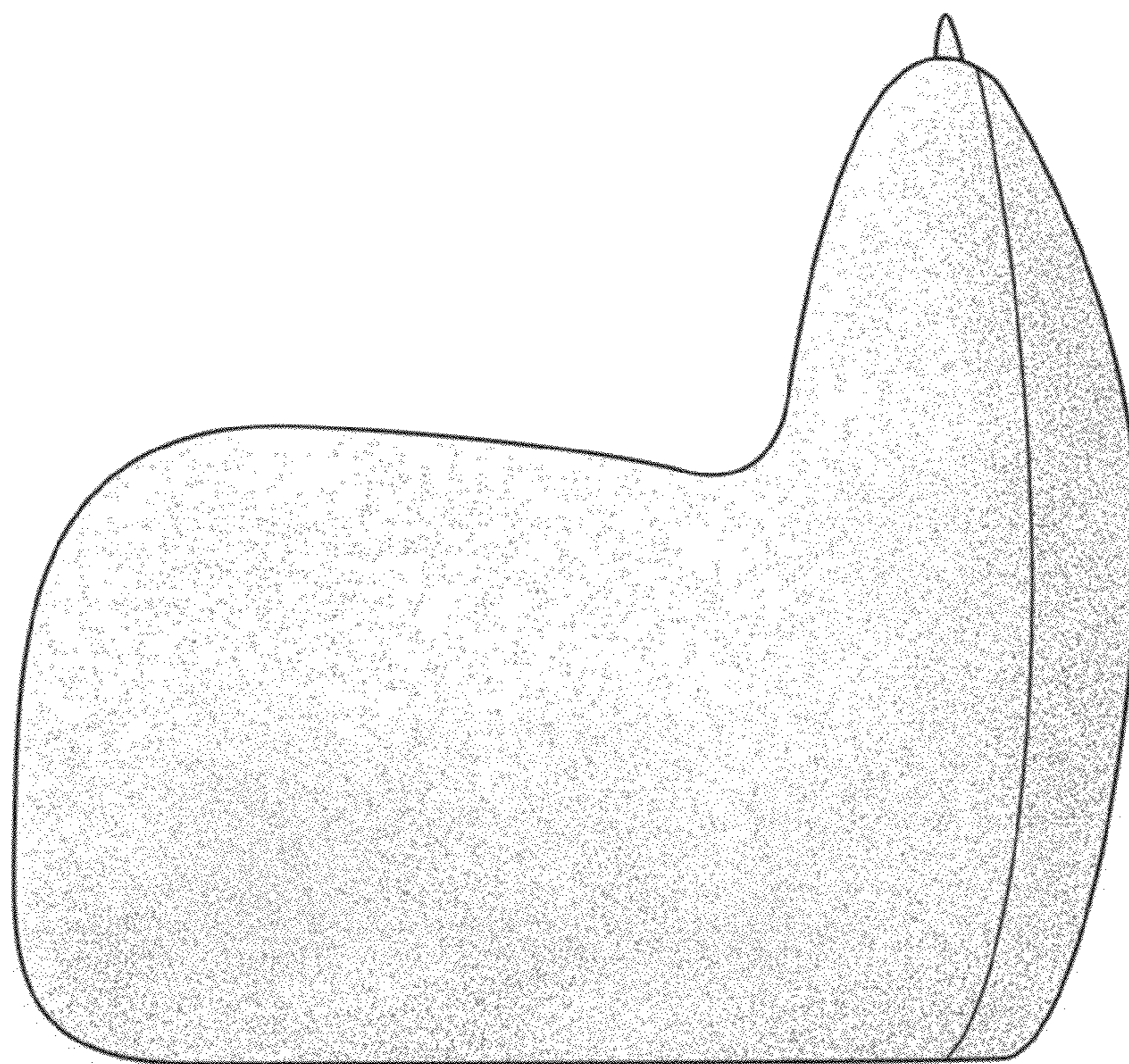


Figure 4

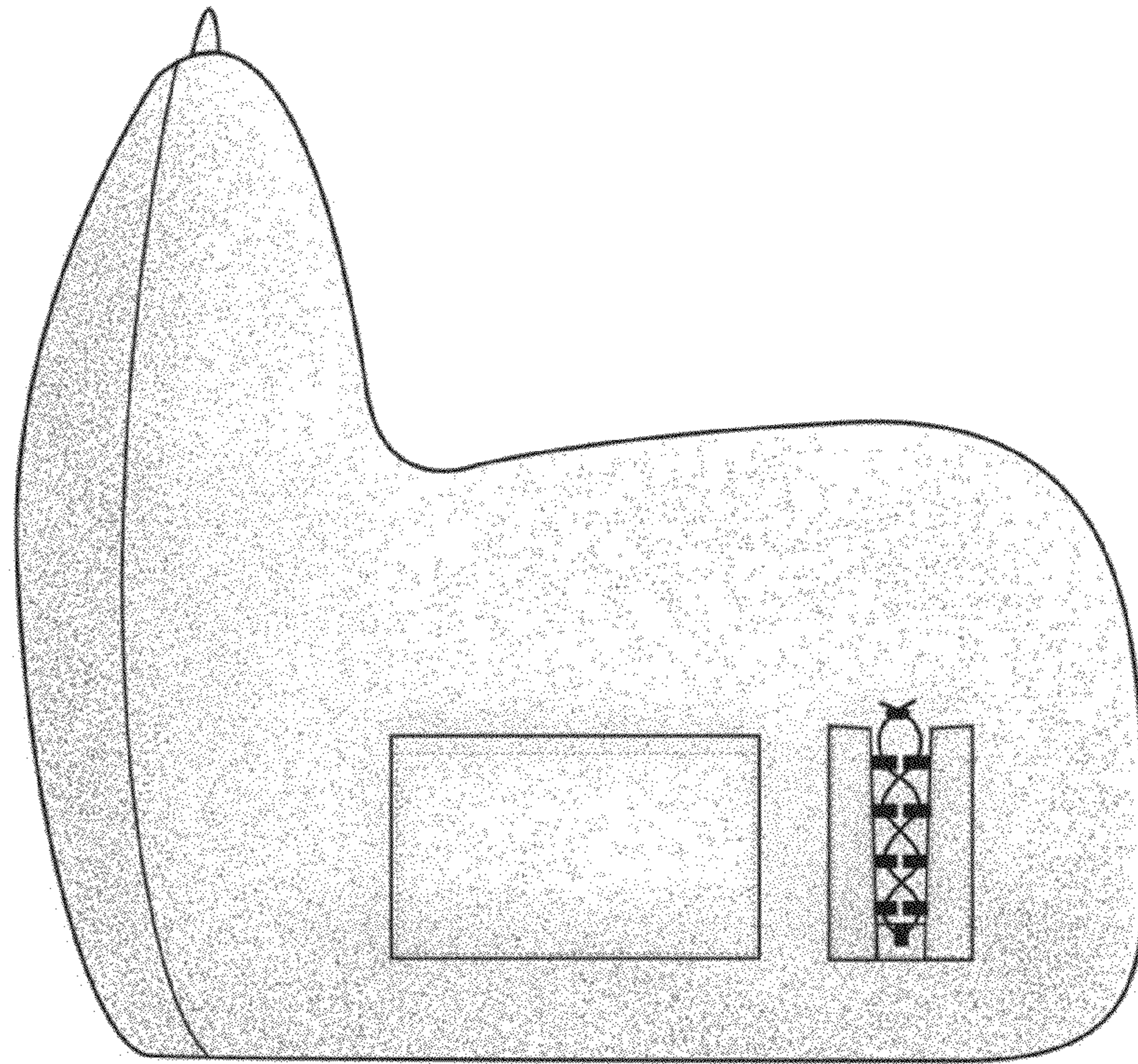


Figure 5

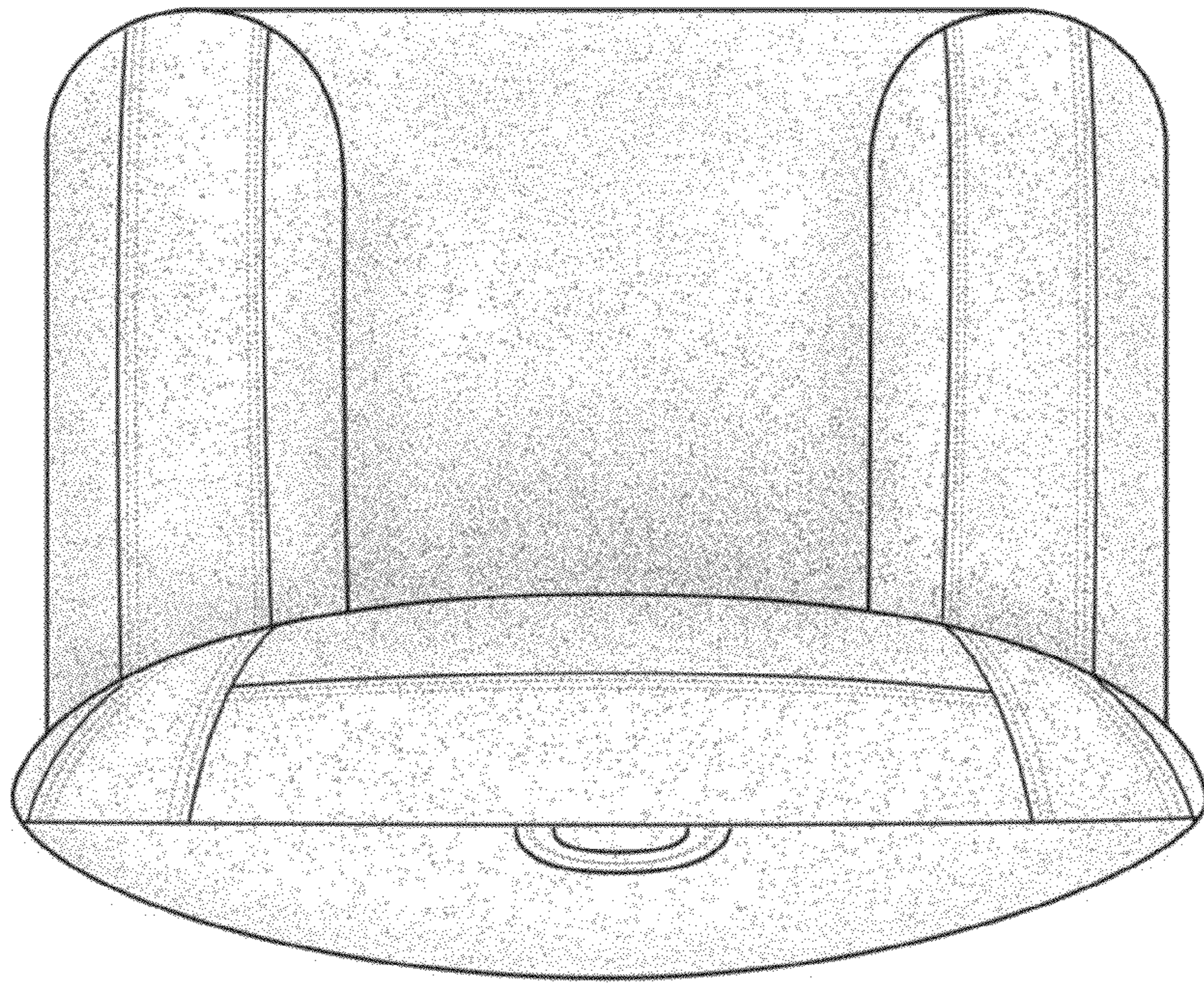


Figure 6

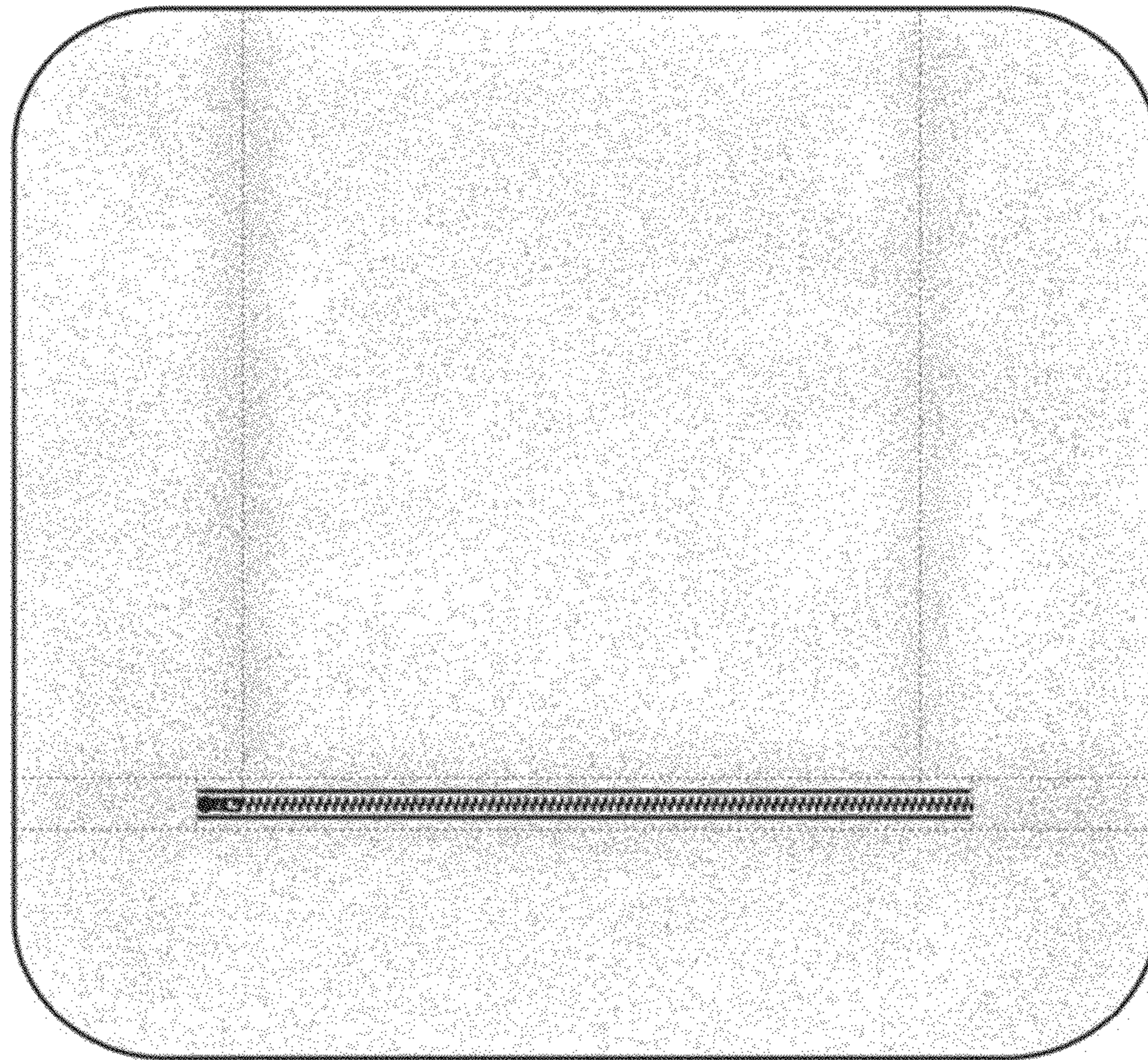


Figure 7