



US00D716565S

(12) **United States Design Patent**  
**Harrison**

(10) **Patent No.:** **US D716,565 S**  
(45) **Date of Patent:** **\*\* Nov. 4, 2014**

(54) **CHAIR**

(71) Applicant: **Christopher Guy Harrison**, Fort Myers,  
FL (US)

(72) Inventor: **Christopher Guy Harrison**, Fort Myers,  
FL (US)

(\*\*) Term: **14 Years**

(21) Appl. No.: **29/468,960**

(22) Filed: **Oct. 4, 2013**

(51) **LOC (10) Cl.** ..... **06-01**

(52) **U.S. Cl.**  
USPC ..... **D6/334**

(58) **Field of Classification Search**  
USPC ..... D6/334, 335, 336, 379, 381; 297/94,  
297/118, 232, 445.1, 448.1, DIG. 7  
See application file for complete search history.

(56) **References Cited**

U.S. PATENT DOCUMENTS

D134,532 S \* 12/1942 Mastrangelo ..... D6/374  
D333,577 S \* 3/1993 Danko ..... D6/380

D345,471 S \* 3/1994 Takahama ..... D6/373  
D368,383 S \* 4/1996 Danko ..... D6/374  
D657,154 S \* 4/2012 Schmitt ..... D6/379  
D691,823 S \* 10/2013 Schmitt ..... D6/379

\* cited by examiner

*Primary Examiner* — Sandra Snapp

(74) *Attorney, Agent, or Firm* — Greenberg Traurig LLP

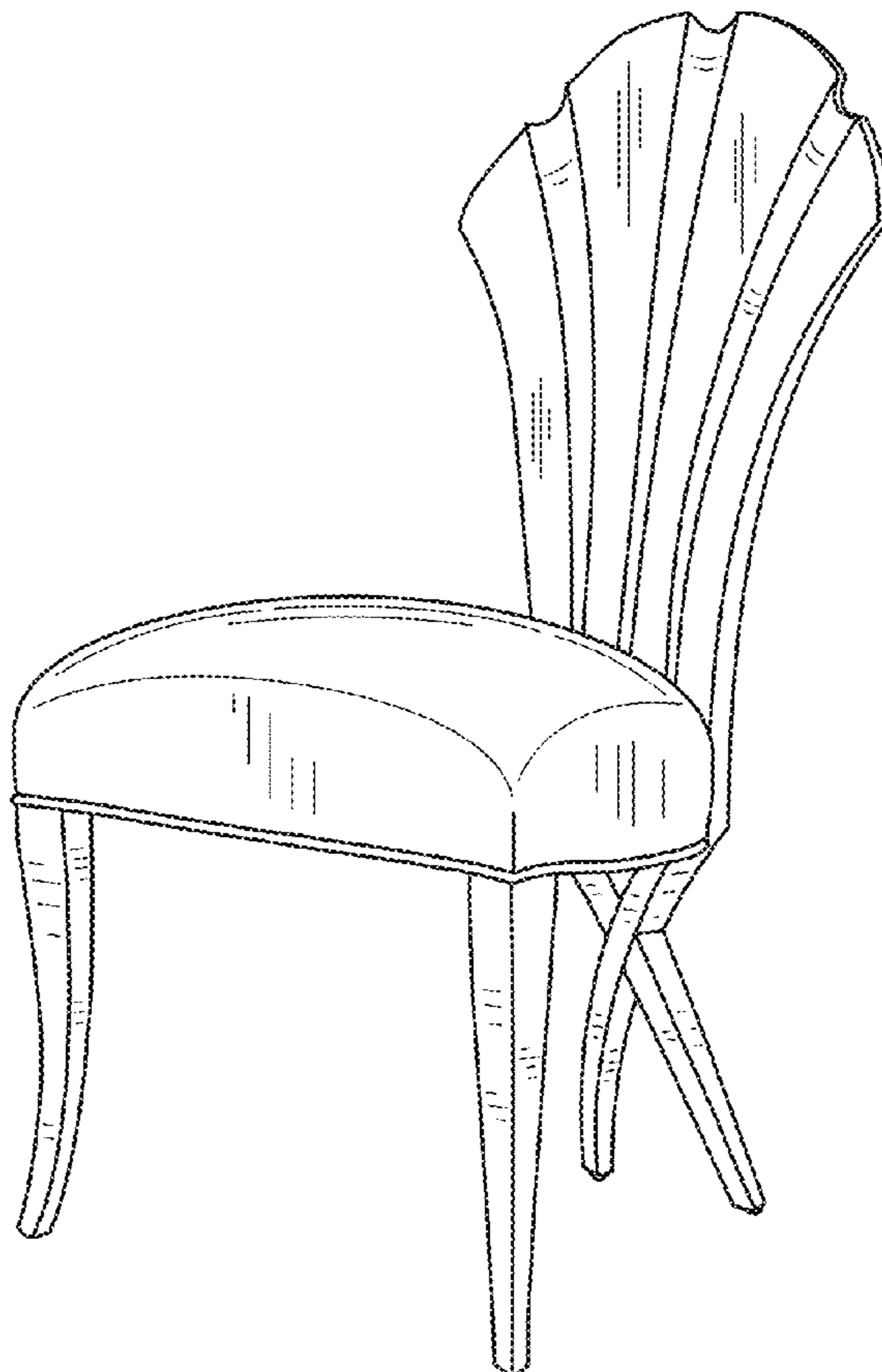
(57) **CLAIM**

The ornamental design for a chair, as shown and described.

**DESCRIPTION**

FIG. 1 is a front perspective view of my new chair design.  
FIG. 2 is a front elevational view of my new chair design.  
FIG. 3 is a back elevational view of my new chair design.  
FIG. 4 is a right side elevational view of the chair shown in  
FIG. 1.  
FIG. 5 is a left side elevational view of the chair shown in FIG.  
1; and,  
FIG. 6 is a top plan view of the chair shown in FIG. 1.

**1 Claim, 6 Drawing Sheets**



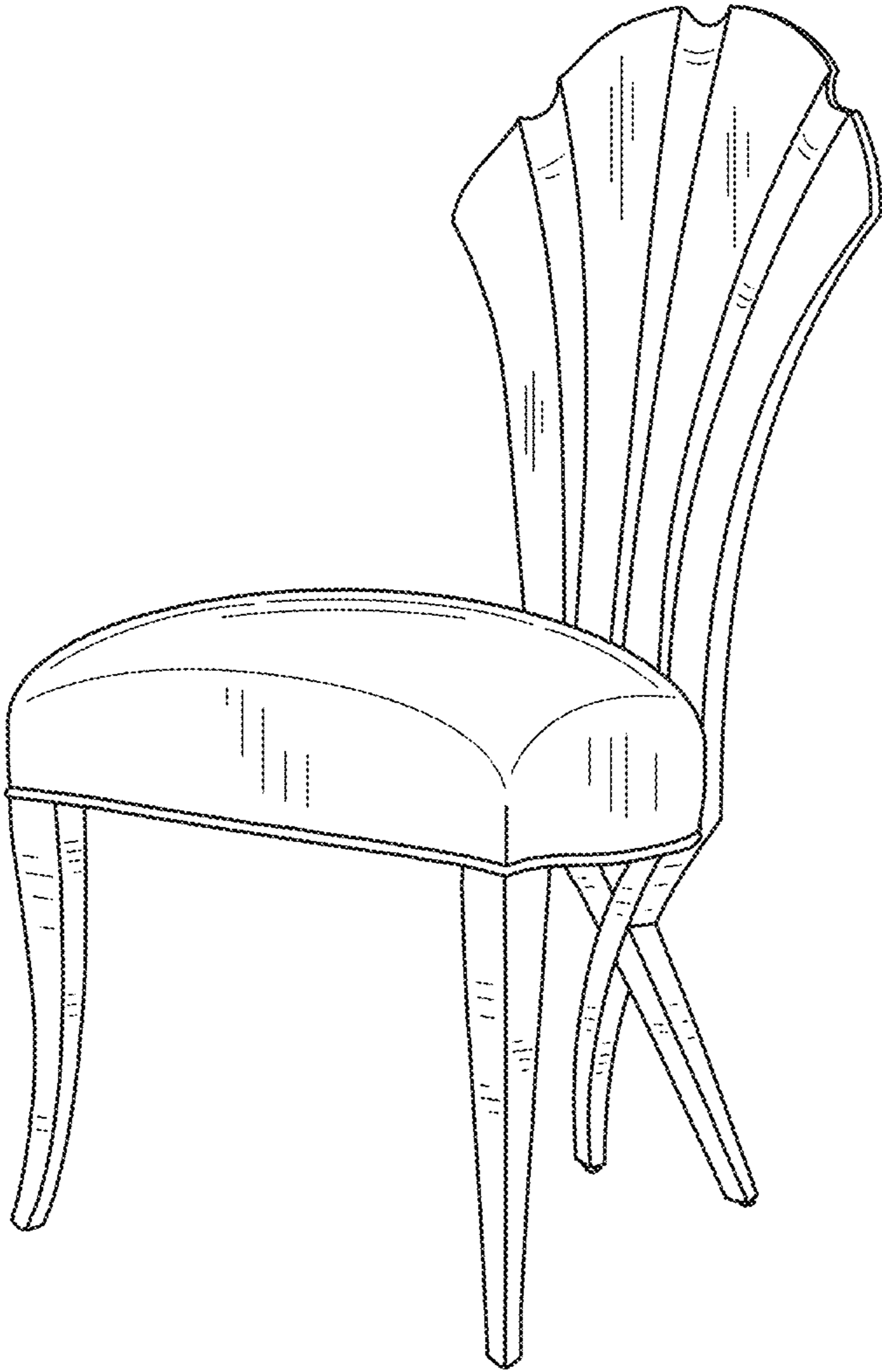


FIG.1

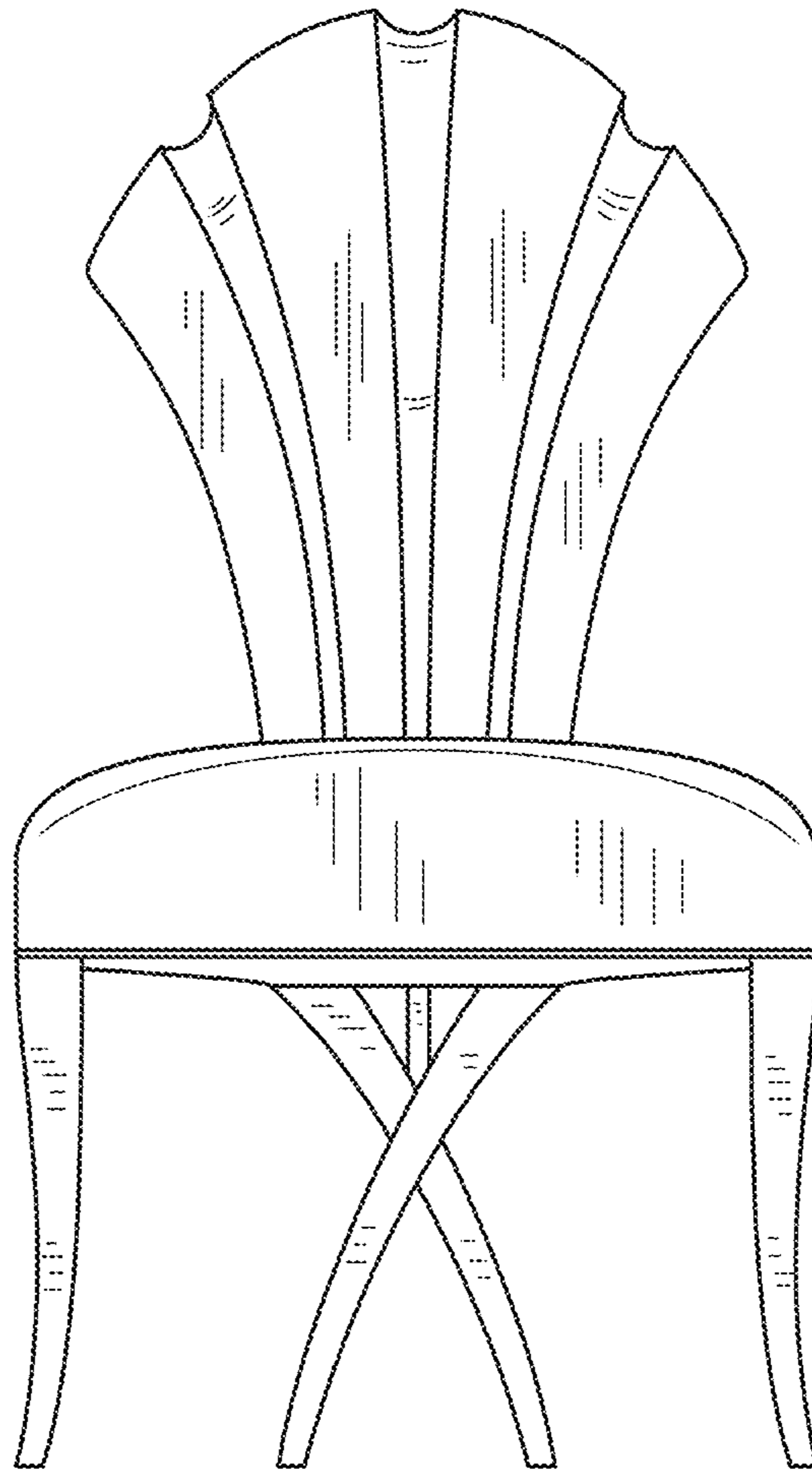


FIG.2

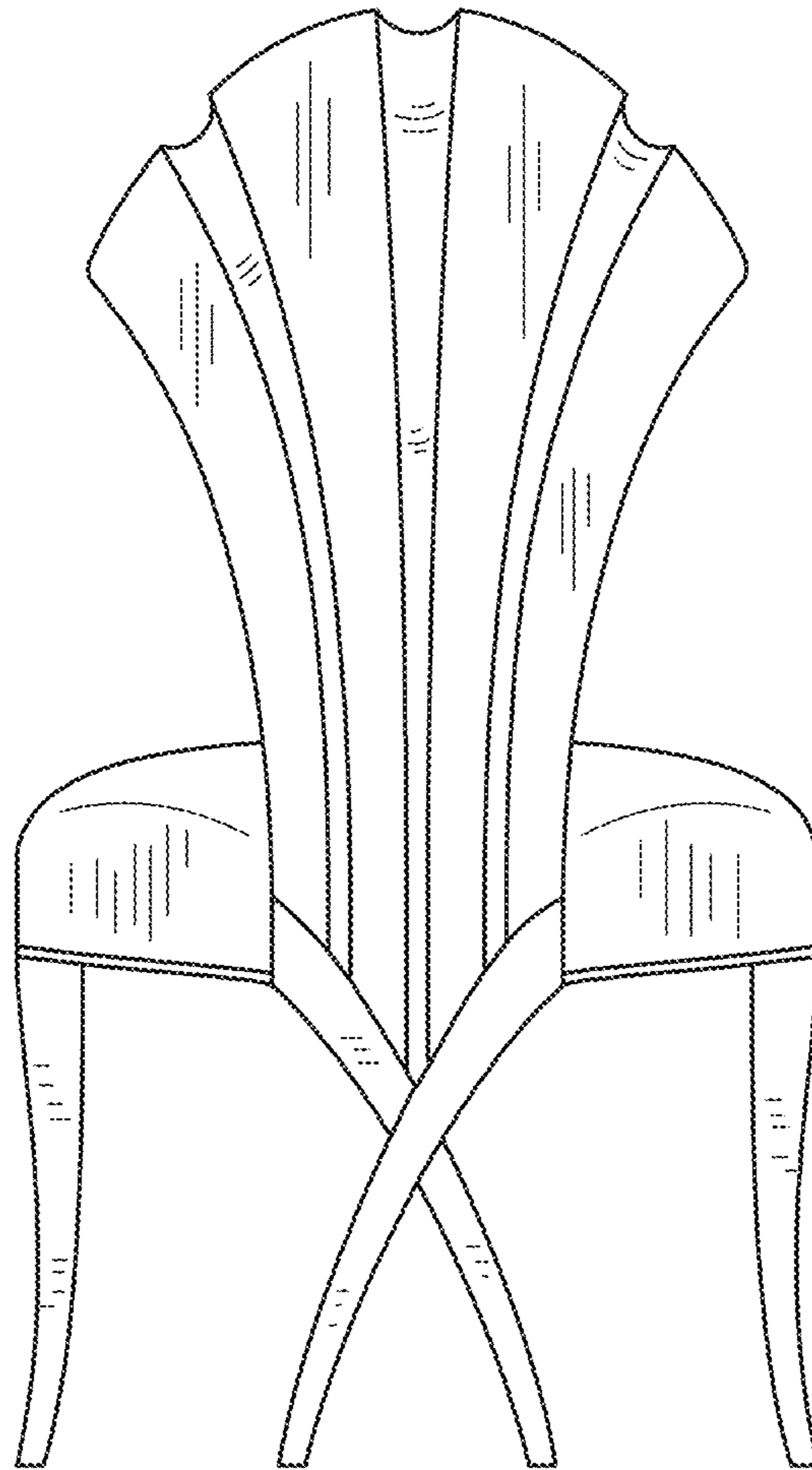


FIG.3

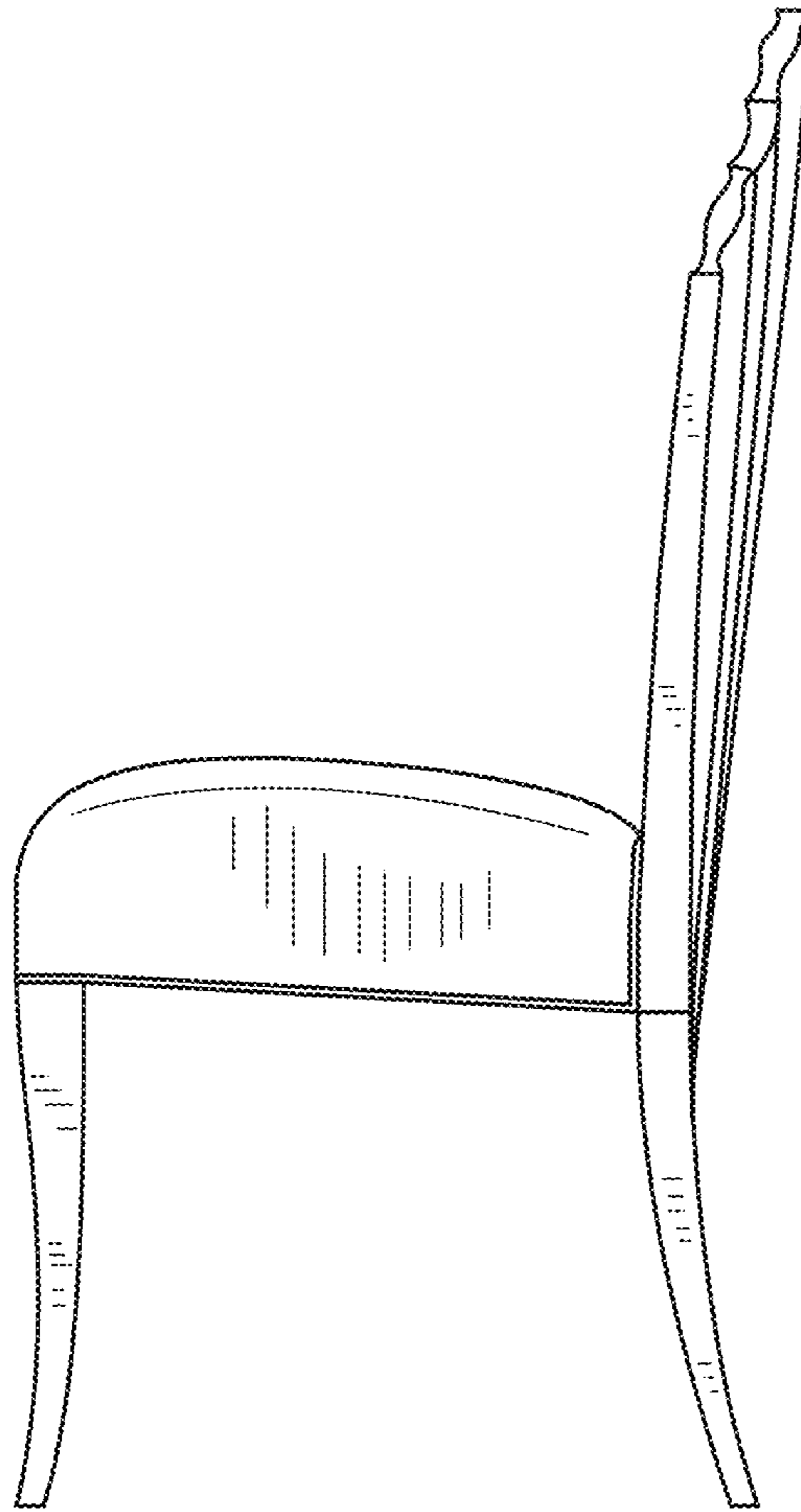


FIG. 4

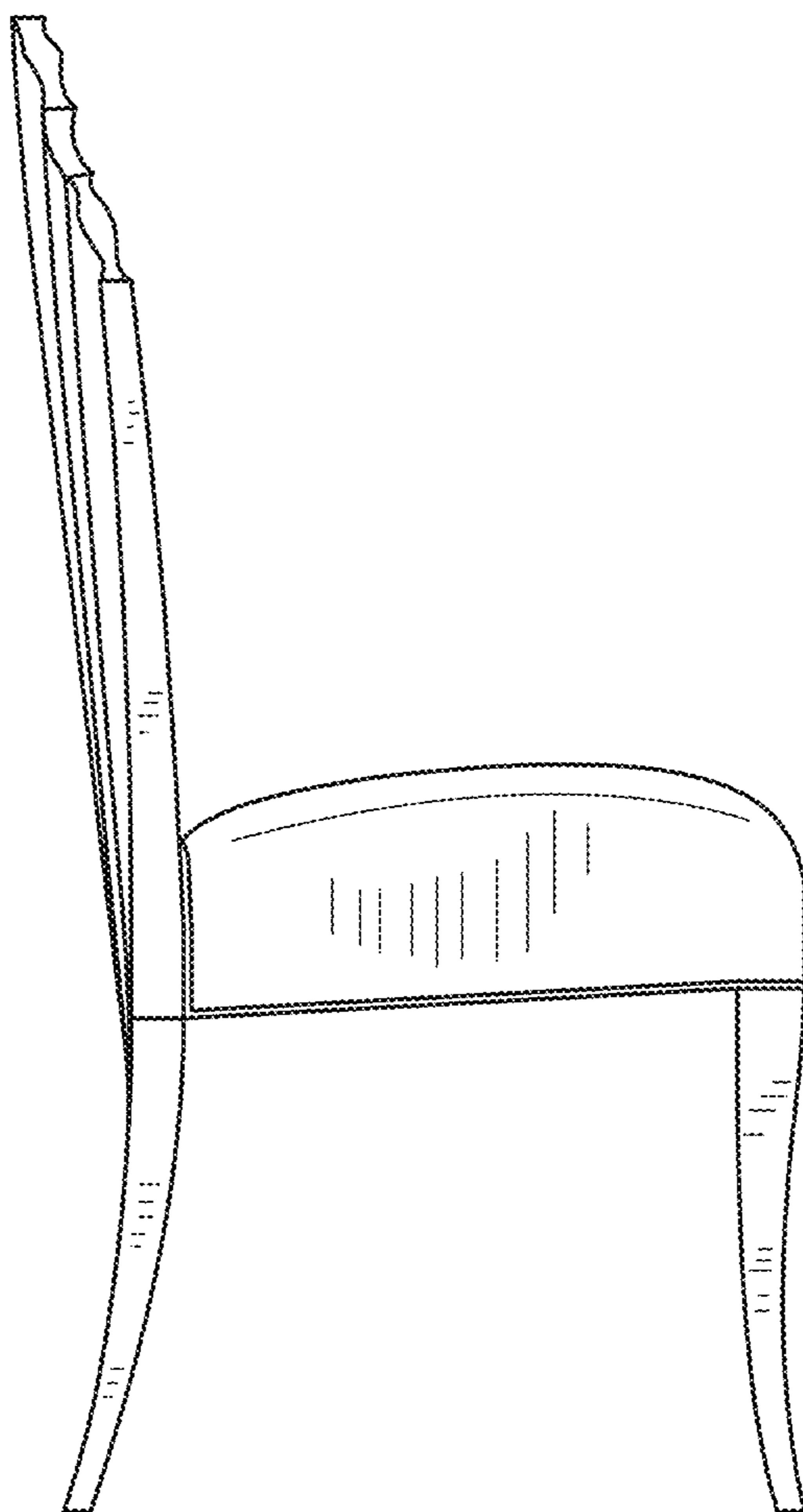


FIG. 5

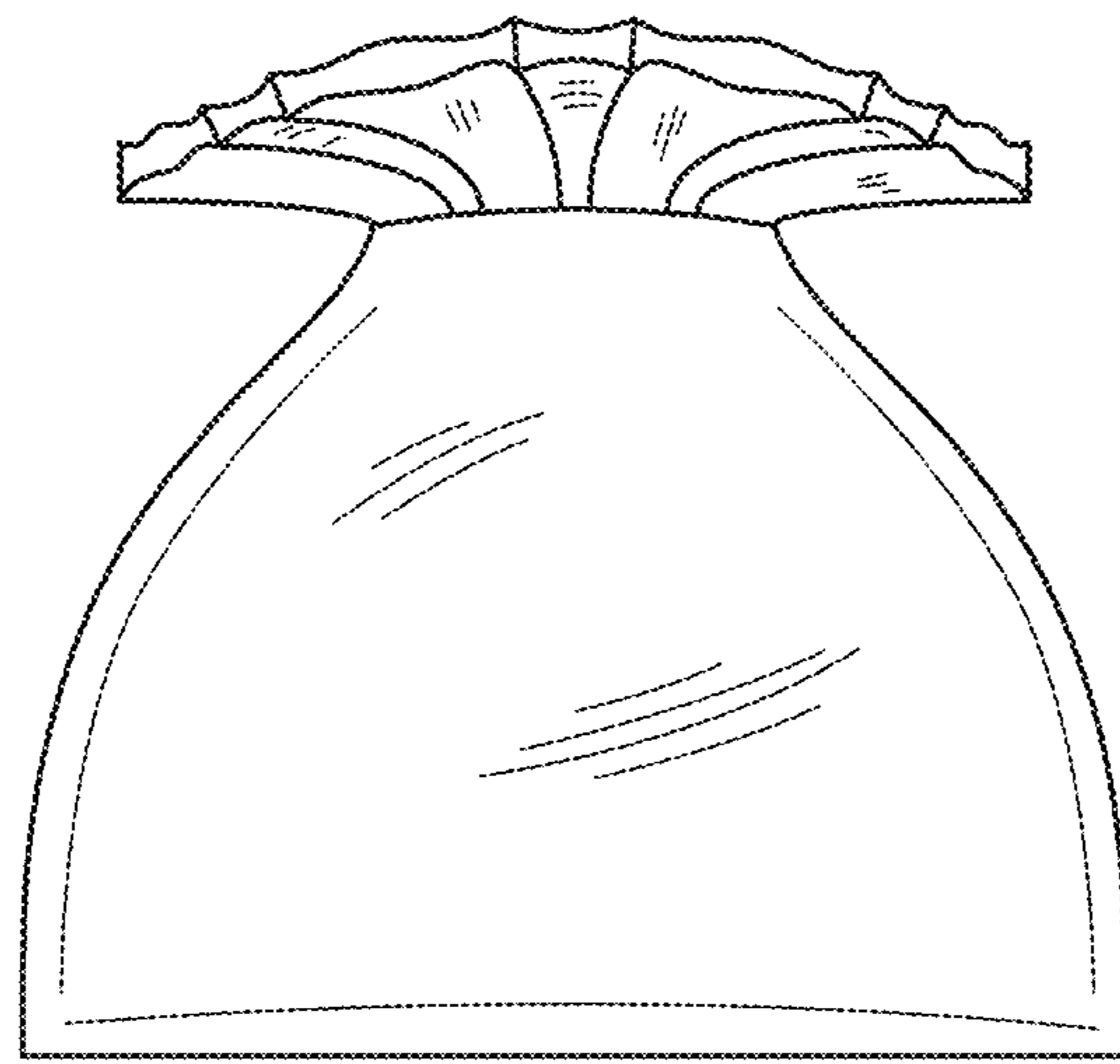


FIG.6