



US00D716564S

(12) **United States Design Patent**
Dix

(10) **Patent No.:** **US D716,564 S**

(45) **Date of Patent:** **** Nov. 4, 2014**

(54) **CHAIR**

(71) Applicant: **George K. Dix**, Pontotoc, MS (US)

(72) Inventor: **George K. Dix**, Pontotoc, MS (US)

(73) Assignee: **Southern Motion, Inc.**, Pontotoc, MS (US)

(**) Term: **14 Years**

(21) Appl. No.: **29/465,548**

(22) Filed: **Aug. 29, 2013**

(51) **LOC (10) Cl.** **06-01**

(52) **U.S. Cl.**
USPC **D6/334**

(58) **Field of Classification Search**
USPC D6/334, 335, 336, 379, 381, 369;
297/94, 118, 232, 445.1, 448.1, DIG. 7
See application file for complete search history.

(56) **References Cited**

U.S. PATENT DOCUMENTS

| | | | |
|--------------|---------|------------------|---------|
| D373,911 S * | 9/1996 | Paus | D6/381 |
| D432,336 S * | 10/2000 | Gibson | D6/500 |
| D593,766 S * | 6/2009 | Natuzzi | D6/381 |
| D636,757 S * | 4/2011 | Yoshiizumi | D14/214 |

* cited by examiner

Primary Examiner — Sandra Snapp

(74) *Attorney, Agent, or Firm* — Thomas G. Peterson;
Bradley Arant Boult Cummings LLP

(57) **CLAIM**

The ornamental design for a chair, as shown and described.

DESCRIPTION

FIG. 1 shows a front view of the chair in accordance with the new design.

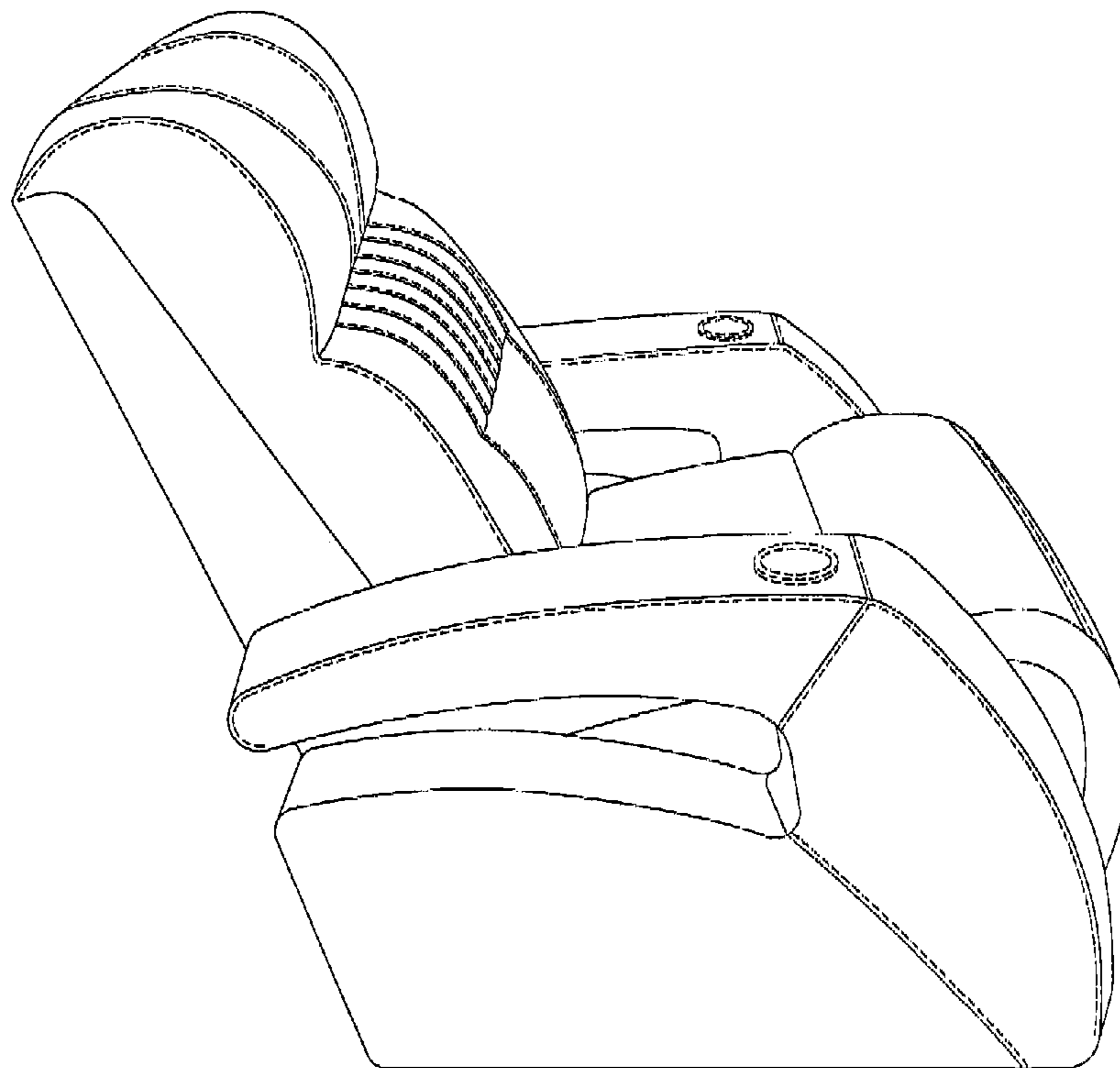
FIG. 2 shows a rear view of the embodiment of the chair shown in FIG. 1.

FIG. 3 shows an elevated side view of the embodiment of the chair shown in FIG. 1; and,

FIG. 4 shows an alternate elevated side view of the embodiment of the chair shown in FIG. 1.

The dashed lines shown in the drawings illustrate environmental structure and form no part of the claimed design.

1 Claim, 4 Drawing Sheets



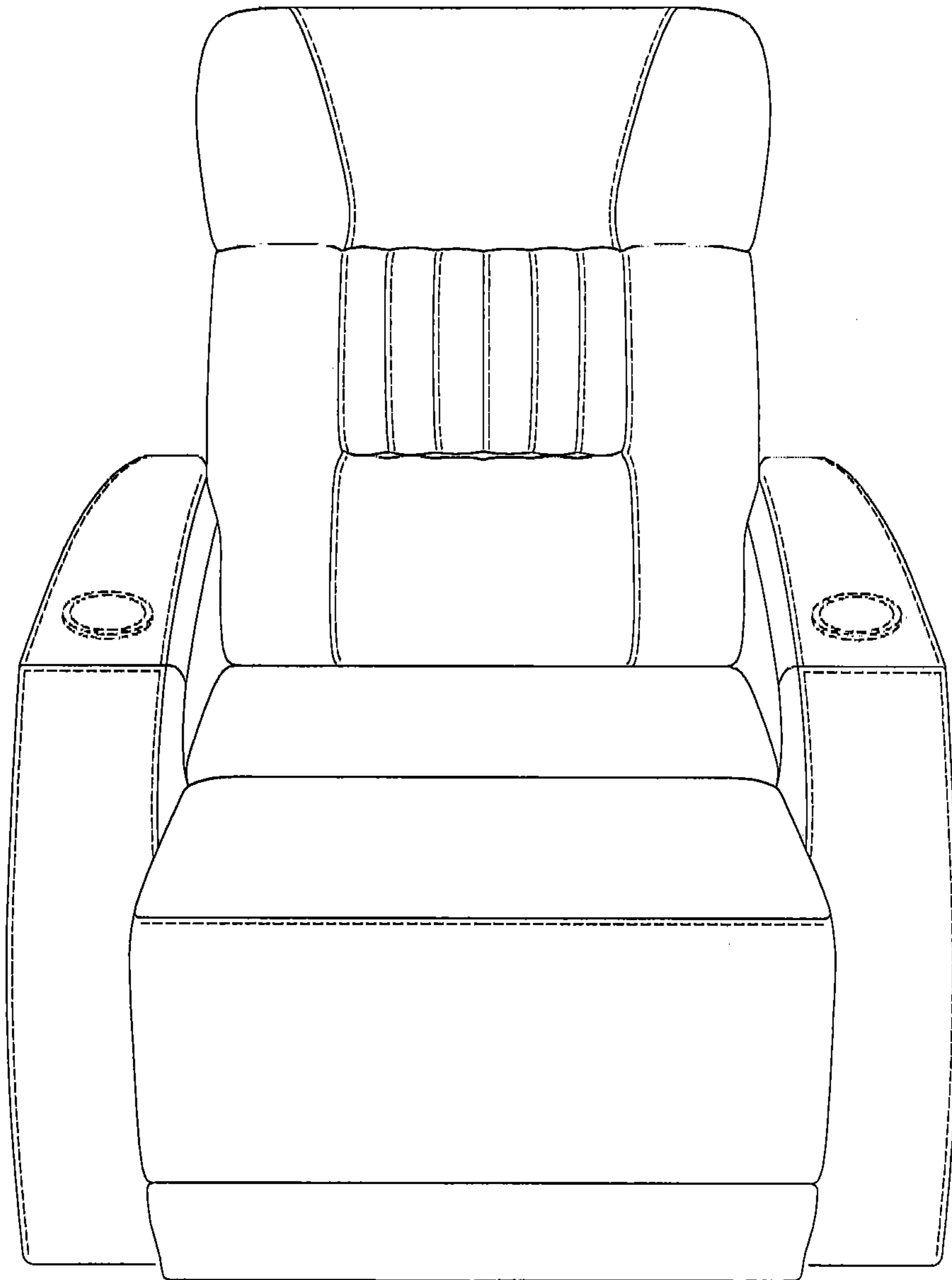


FIG. 1

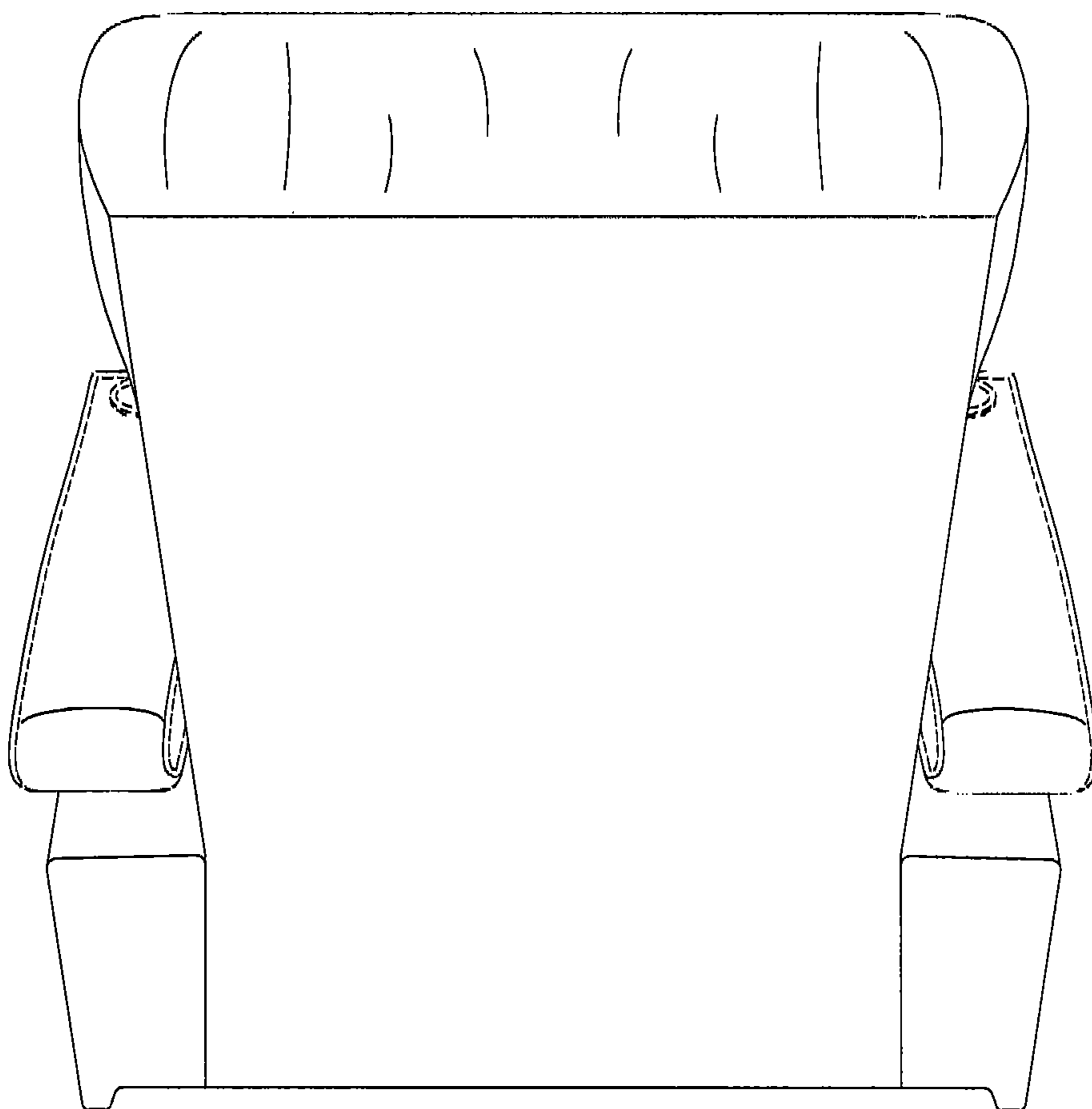


FIG. 2

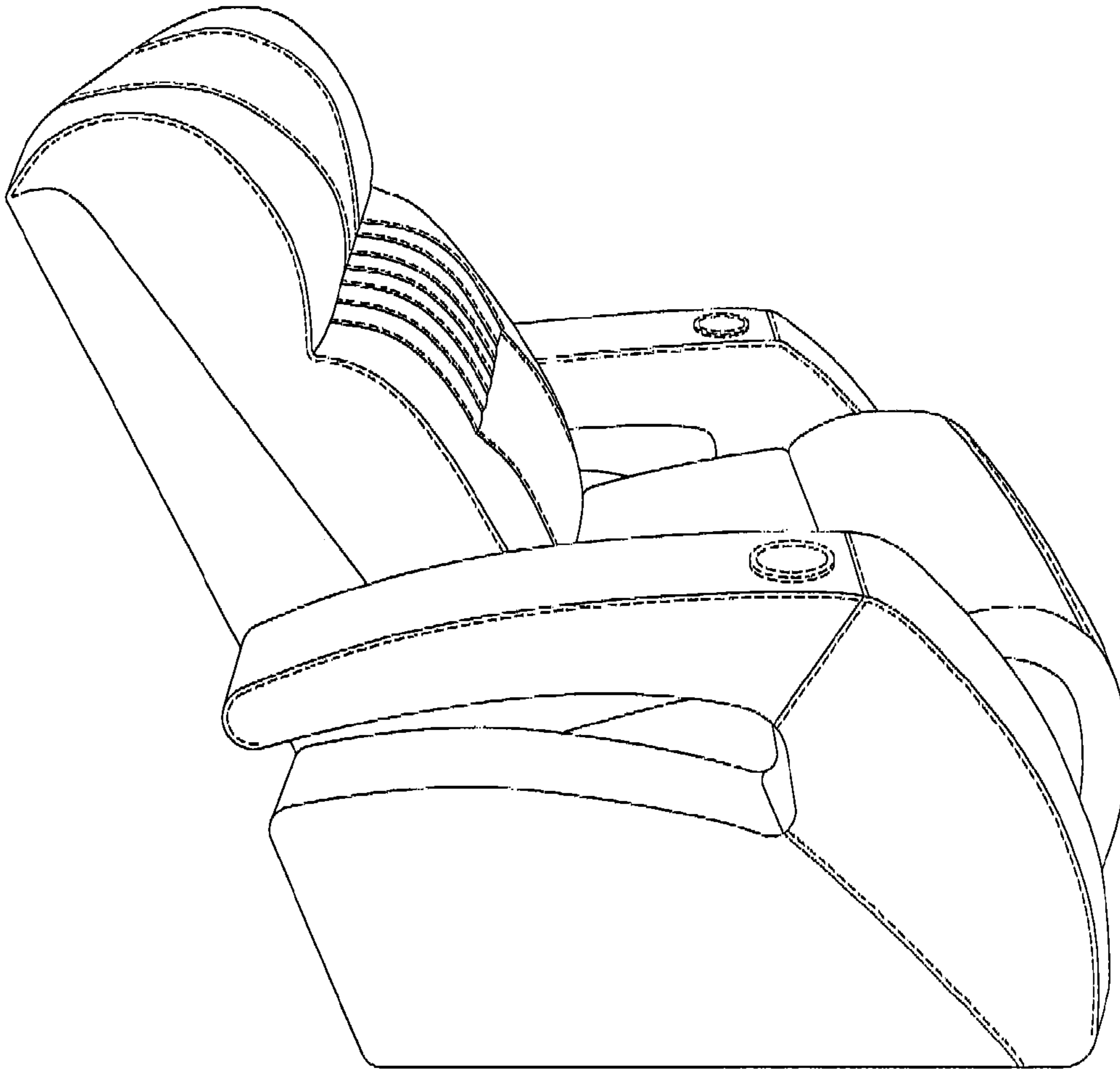


FIG. 3

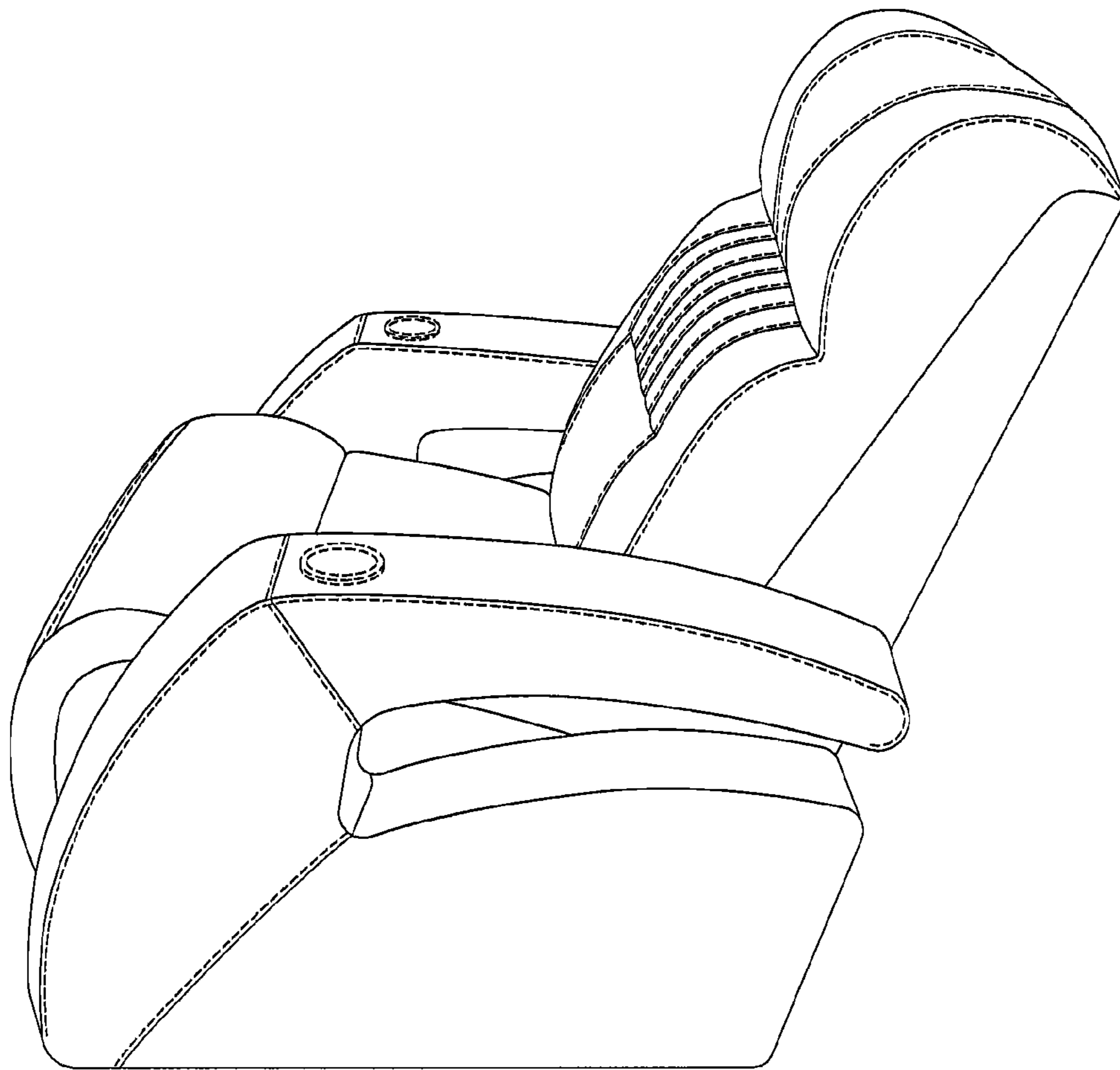


FIG. 4