

US00D716557S

(12) **United States Design Patent**
Braun

(10) **Patent No.:** **US D716,557 S**

(45) **Date of Patent:** **** Nov. 4, 2014**

(54) **PURSE WIPES CARRYING HANDLE**

(71) Applicant: **Pursenal Butler**, Surrey (CA)

(72) Inventor: **Deborah Braun**, Surrey (CA)

(73) Assignee: **Pursenal Butler**, Surrey, BC (CA)

(**) Term: **14 Years**

(21) Appl. No.: **29/478,799**

(22) Filed: **Jan. 8, 2014**

(51) **LOC (10) Cl.** **03-01**

(52) **U.S. Cl.**
USPC **D3/327**

(58) **Field of Classification Search**

USPC D3/318, 321, 323–328, 226, 229, 230,
D3/232–234, 240, 243, 245, 246, 270,
D3/306; D8/300, 303, 312, 342; D12/409;
70/2, 6; 150/100, 104, 107, 108, 111,
150/112, 114, 117, 118, 119, 127, 130;
190/100, 104, 109, 110, 115–117,
190/900–903; 224/175

See application file for complete search history.

(56) **References Cited**

U.S. PATENT DOCUMENTS

D124,388 S * 12/1940 Liebes D3/324
4,074,740 A * 2/1978 Anderson 150/106
D543,701 S * 6/2007 Gonzalez D3/321
D560,910 S * 2/2008 Gerbi D3/246
D581,671 S * 12/2008 Gonzalez D3/322
D582,666 S * 12/2008 Javits, Jr. D3/232
D628,794 S * 12/2010 Gonzalez D3/243
D628,803 S * 12/2010 Gonzalez D3/318
D628,804 S * 12/2010 Gonzalez D3/318

D663,955 S * 7/2012 Swaggart D3/327
D703,577 S * 4/2014 Cipolla D11/93
2013/0133795 A1* 5/2013 Zhou et al. 150/104

* cited by examiner

Primary Examiner — Thomas Johannes

Assistant Examiner — Holly E Thurman

(74) *Attorney, Agent, or Firm* — SoCal IP Law Group LLP;
M. Kala Sarvaiya

(57) **CLAIM**

The ornamental design for a purse wipes carrying handle, as shown and described.

DESCRIPTION

A portion of the disclosure of this patent document contains material which is subject to copyright protection. This patent document may show and/or describe matter which is or may become trade dress of the owner. The copyright and trade dress owner has no objection to the facsimile reproduction by anyone of the patent disclosure as it appears in the Patent and Trademark Office patent files or records, but otherwise reserves all copyright and trade dress rights whatsoever.

FIG. 1 is a perspective view of a purse wipes carrying handle;

FIG. 2 is a top plan view thereof;

FIG. 3 is a front side elevation view thereof;

FIG. 4 is a back side elevation view thereof;

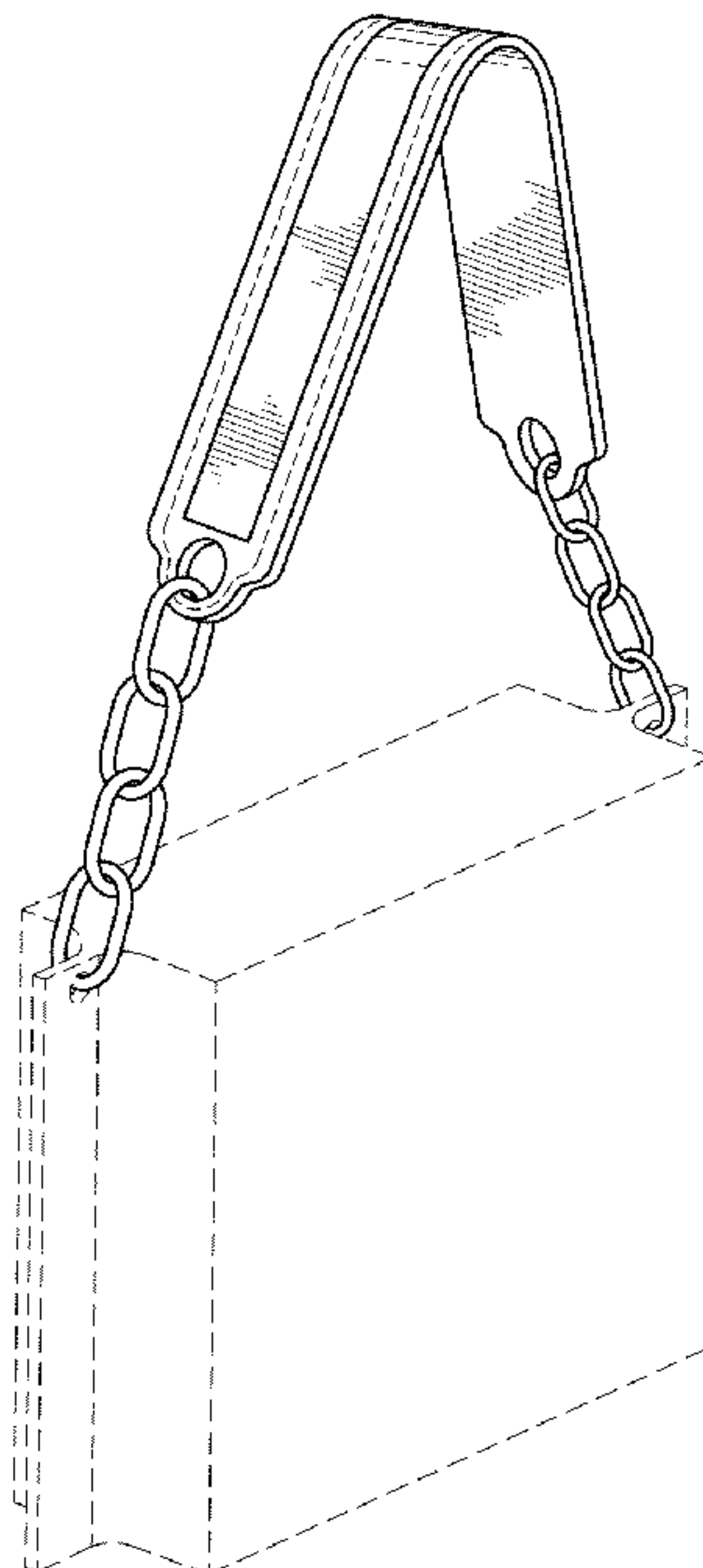
FIG. 5 is a bottom plan view thereof;

FIG. 6 is a right side elevation view thereof; and,

FIG. 7 is a left side elevation view thereof.

The wide broken lines depict unclaimed subject matter only, which form no part of the claimed design. The narrow broken lines shown in the purse wipes carrying handle depict claimed decorative stitching, which forms part of the claimed design.

1 Claim, 4 Drawing Sheets



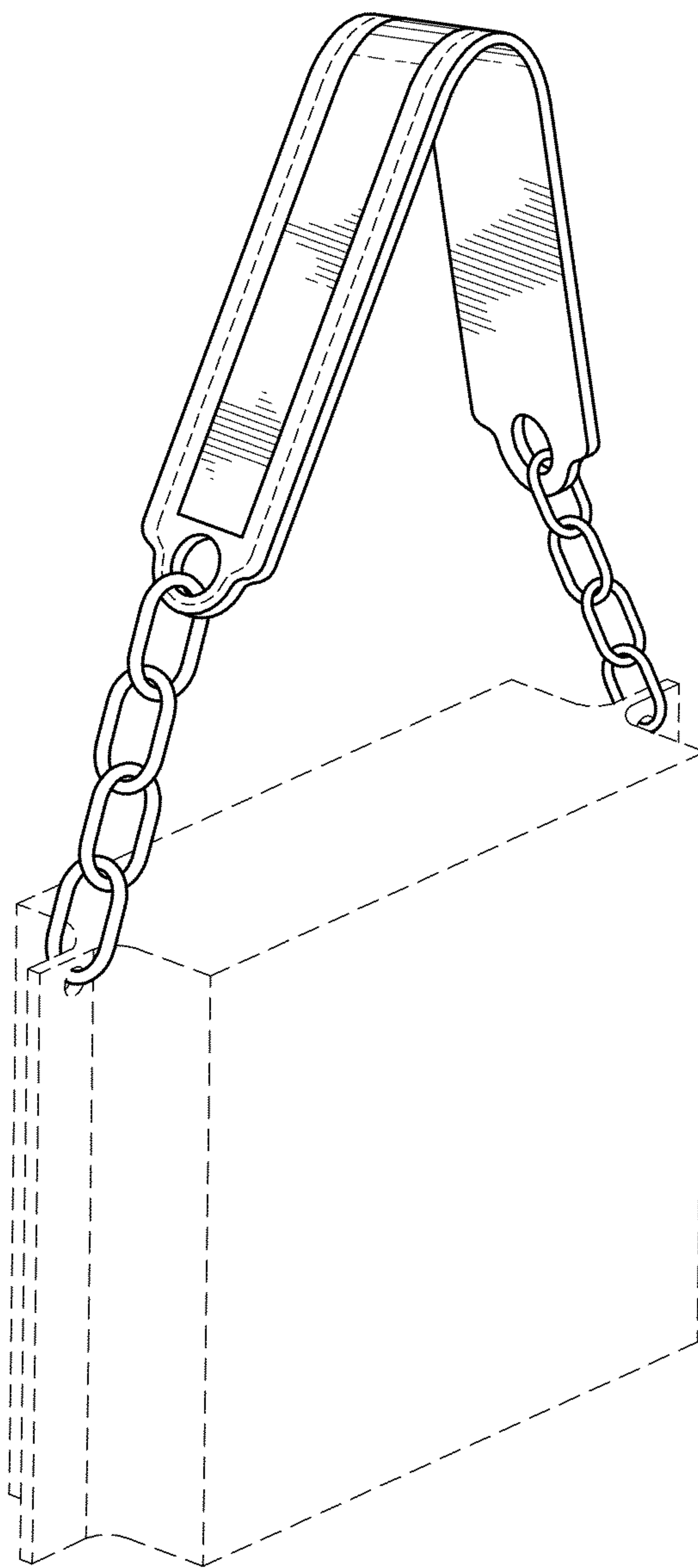


FIG. 1

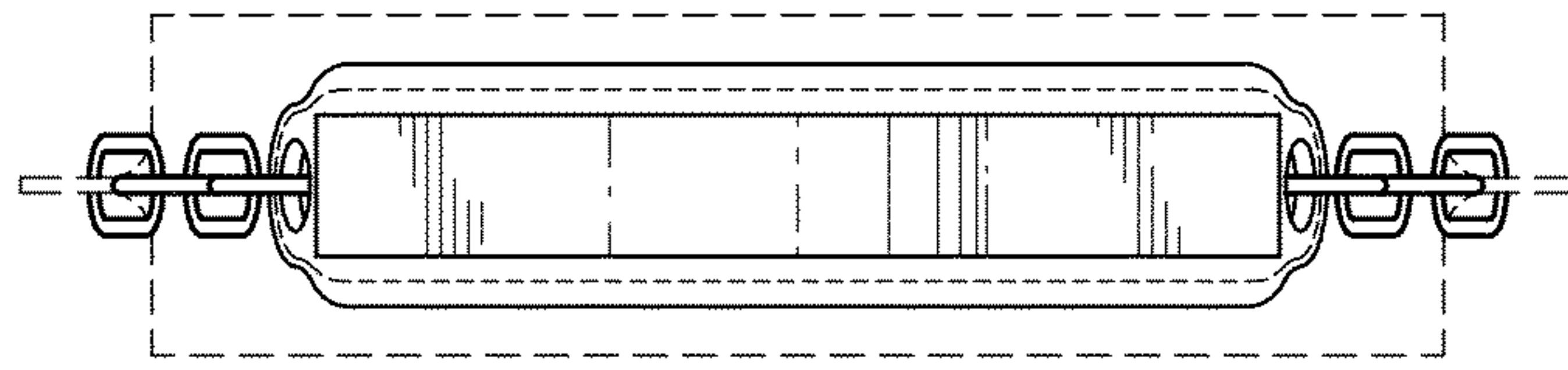


FIG. 2

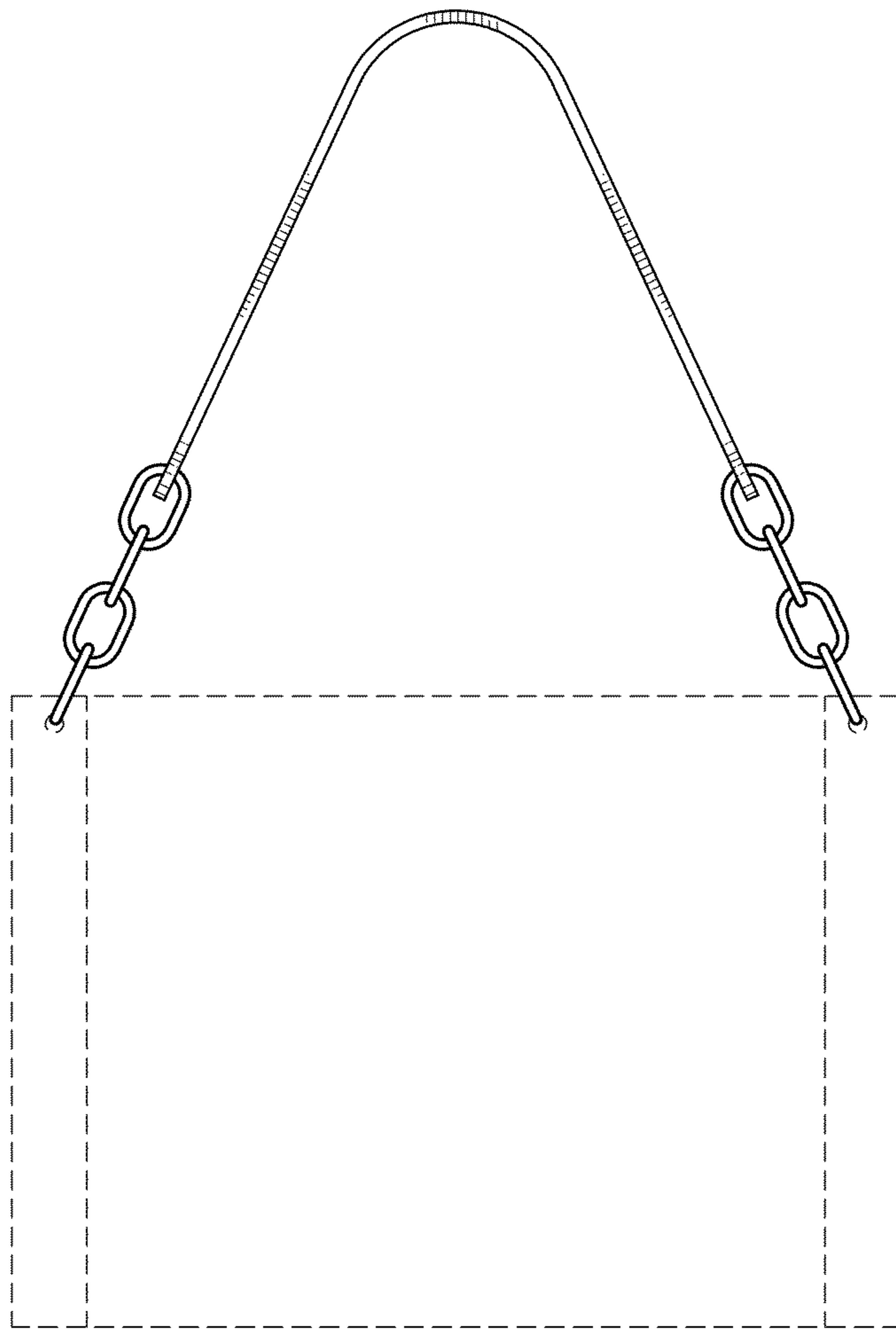


FIG. 3

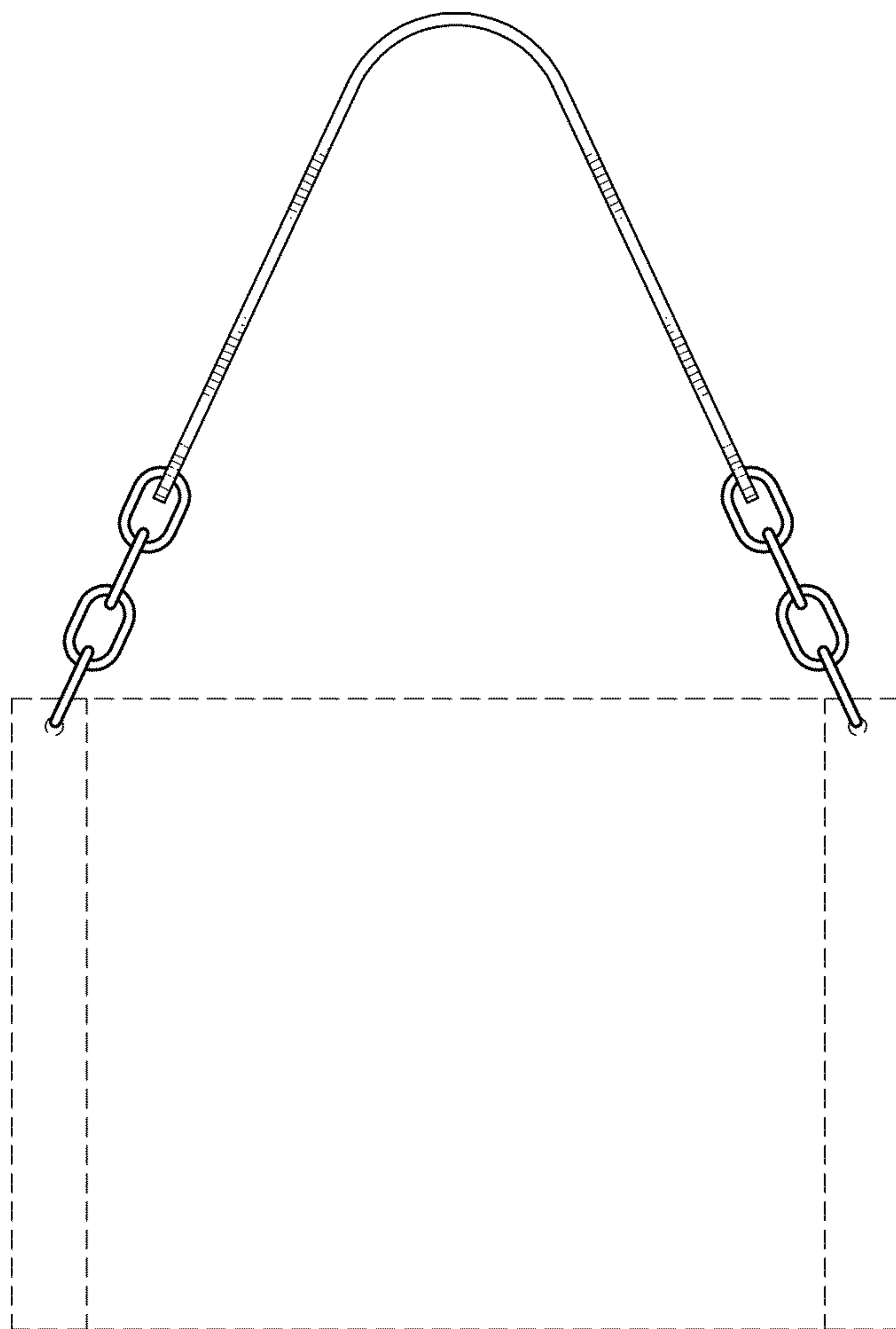


FIG. 4



FIG. 5

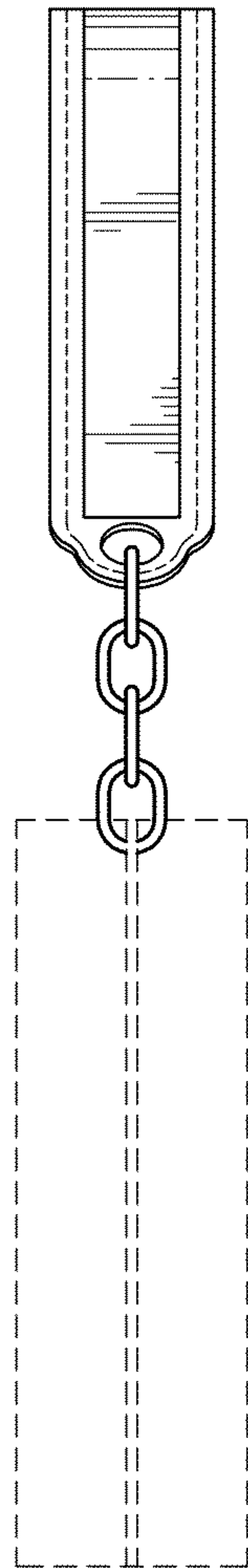


FIG. 6

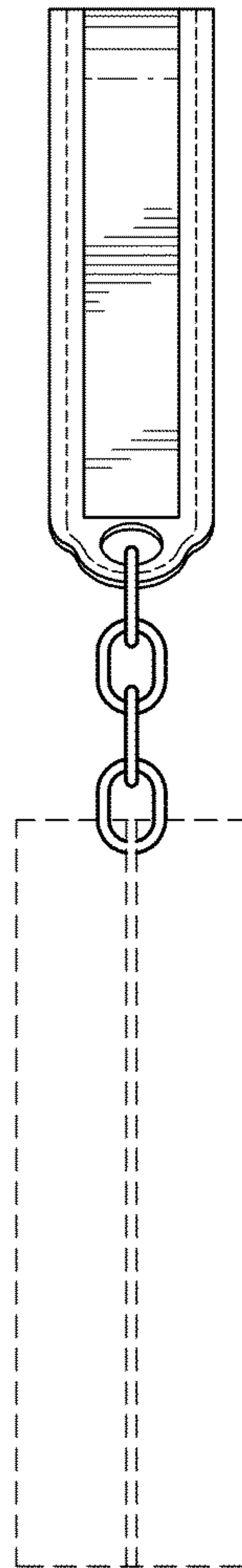


FIG. 7