



US00D716556S

(12) **United States Design Patent**  
**Tong**

(10) **Patent No.:** **US D716,556 S**

(45) **Date of Patent:** **\*\* Nov. 4, 2014**

(54) **LUGGAGE PULL-OUT HANDLE**

(71) Applicant: **Joy Tong**, Boca Raton, FL (US)

(72) Inventor: **Joy Tong**, Boca Raton, FL (US)

(\*\*) Term: **14 Years**

(21) Appl. No.: **29/452,035**

(22) Filed: **Apr. 11, 2013**

(51) **LOC (10) Cl.** ..... **03-01**

(52) **U.S. Cl.**  
USPC ..... **D3/318**

(58) **Field of Classification Search**  
USPC ..... D3/318, 319, 273, 276, 279, 282–287,  
D3/289, 290, 321, 902; D8/302, 306, 316,  
D8/317; 190/18 A, 100, 103, 104,  
190/107–117, 119, 125; 16/18 R, 113.1,  
16/114.1, 45  
See application file for complete search history.

(56) **References Cited**

**U.S. PATENT DOCUMENTS**

D299,110 S *	12/1988	Jans	.....	D8/316
D470,742 S *	2/2003	Fields	.....	D8/316
D504,773 S *	5/2005	Lu	.....	D3/318
D552,850 S *	10/2007	Wu	.....	D3/318
D583,564 S *	12/2008	Wu	.....	D3/318
7,658,269 B2 *	2/2010	Wu	.....	190/115
D634,545 S *	3/2011	Fair	.....	D3/318

D663,526 S *	7/2012	Wu et al.	.....	D3/318
D666,831 S *	9/2012	Kinskey et al.	.....	D3/318
D691,808 S *	10/2013	Wu	.....	D3/318

\* cited by examiner

*Primary Examiner* — Deanna L Pratt

*Assistant Examiner* — Lilyana Bekic

(74) *Attorney, Agent, or Firm* — Pai Patent & Trademark Law Firm; Chao-Chang David Pai

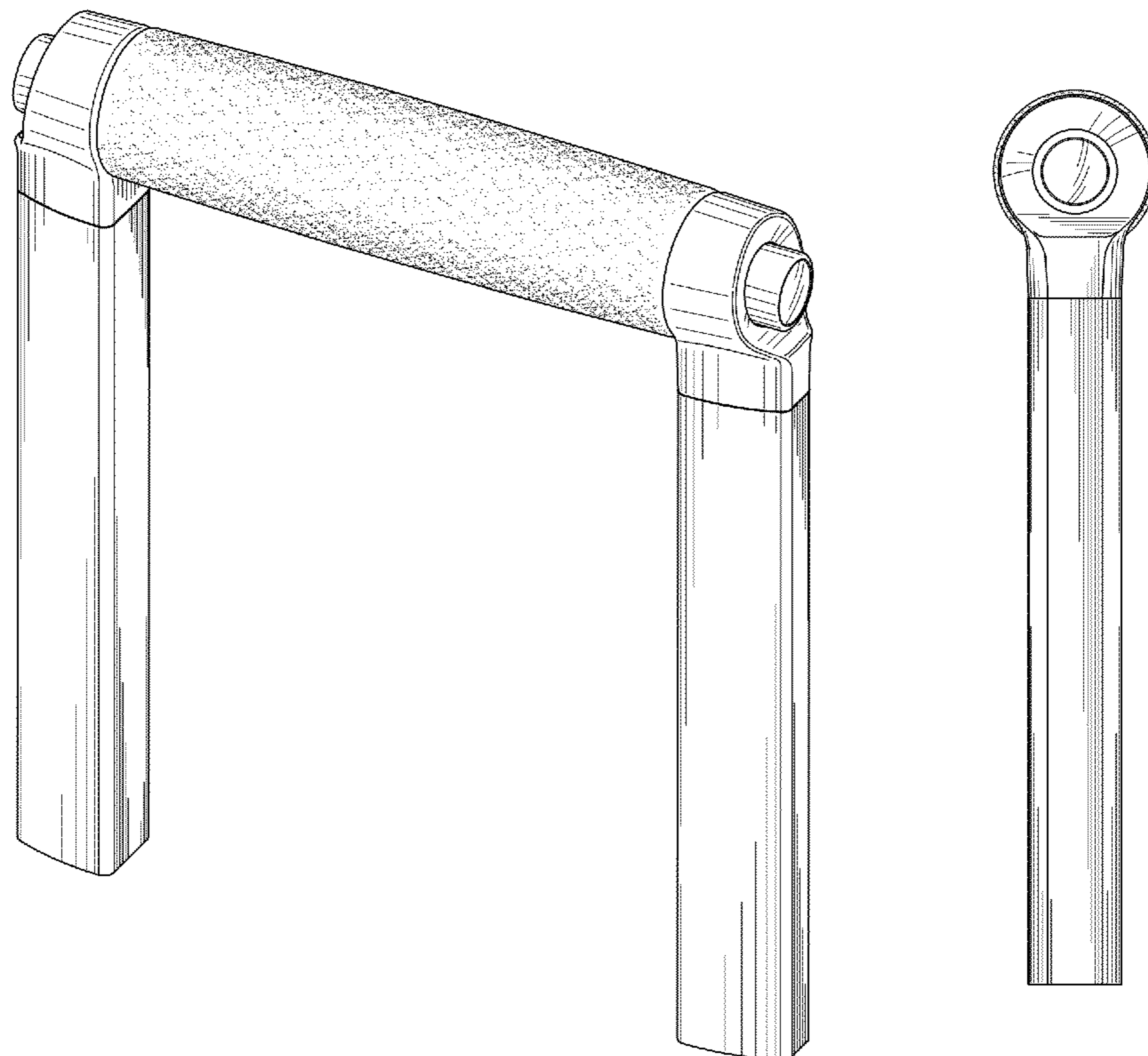
(57) **CLAIM**

The ornamental design for a luggage pull-out handle, as shown and described.

**DESCRIPTION**

FIG. 1 is a right side perspective view of a luggage pull-out handle, showing my new design;  
 FIG. 2 is a front elevational view thereof;  
 FIG. 3 is a rear elevational view thereof;  
 FIG. 4 is a left side elevational view thereof;  
 FIG. 5 is a right side elevational view thereof;  
 FIG. 6 is a top plan view thereof;  
 FIG. 7 is a bottom plan view thereof, wherein the broken lines depict unclaimed portions of the luggage pull-out handle; and,  
 FIG. 8 is a top perspective view thereof, wherein the broken lines showing the top of a piece of luggage illustrate environment and form no part of the claimed design.

**1 Claim, 6 Drawing Sheets**



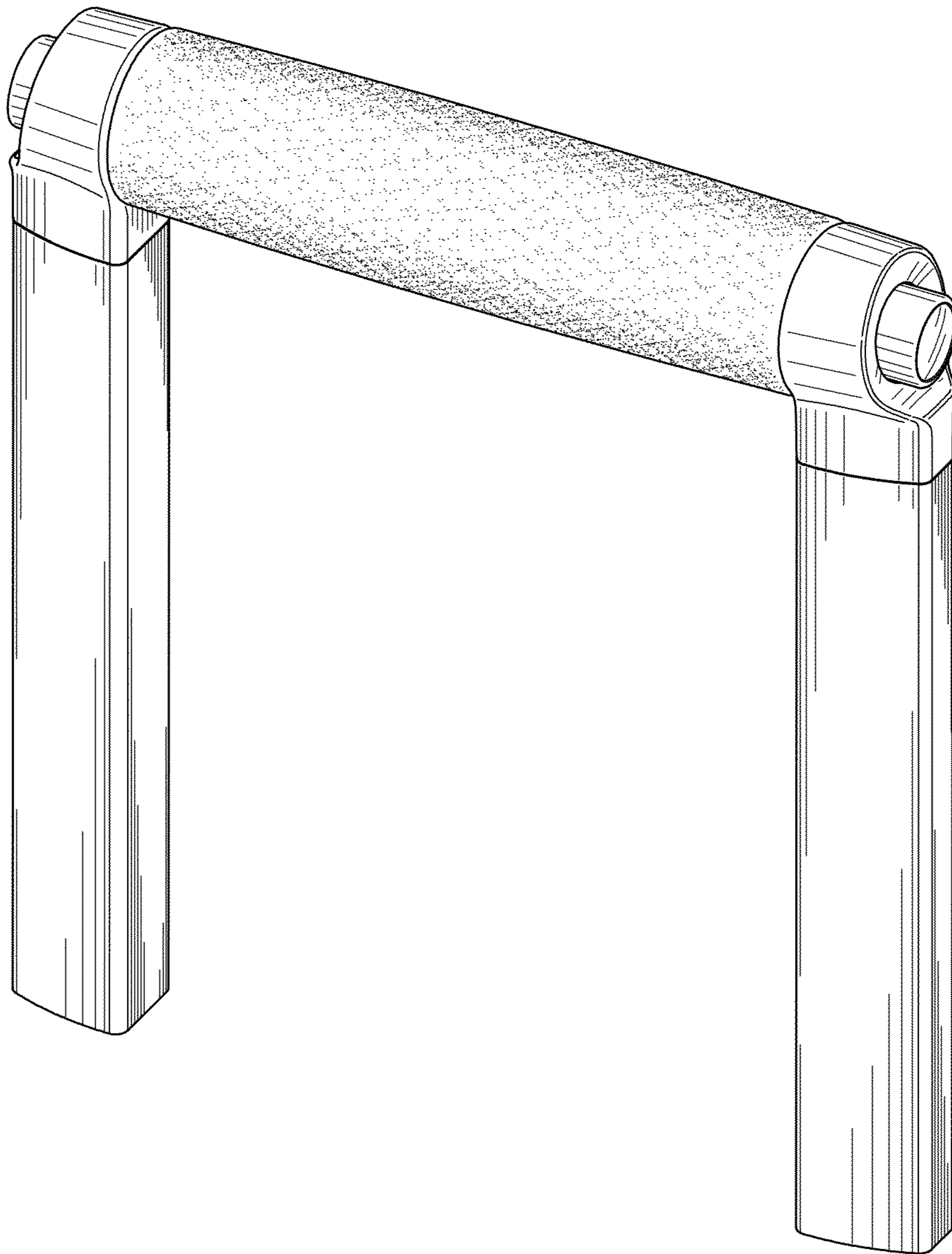


FIG. 1

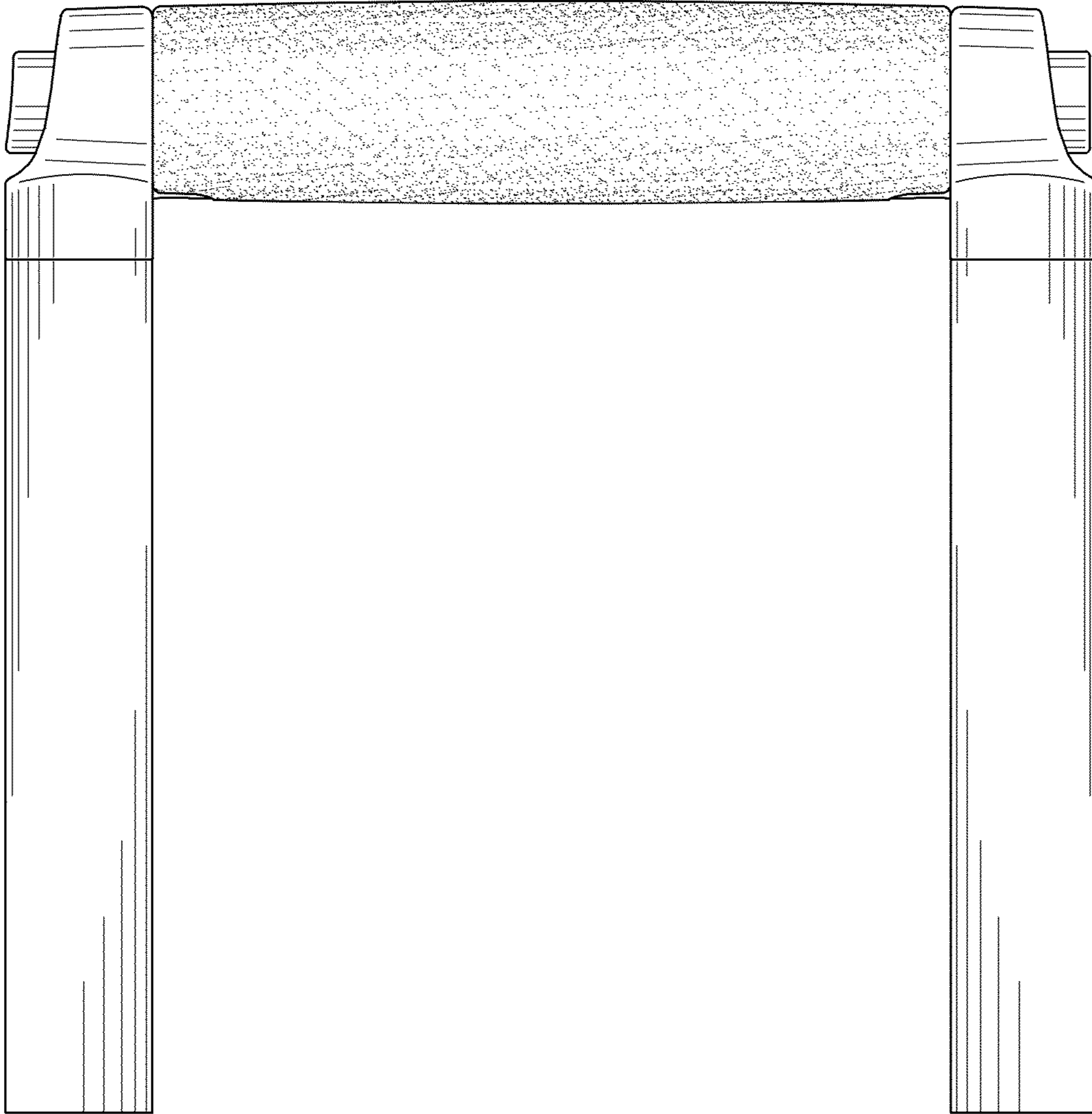


FIG. 2

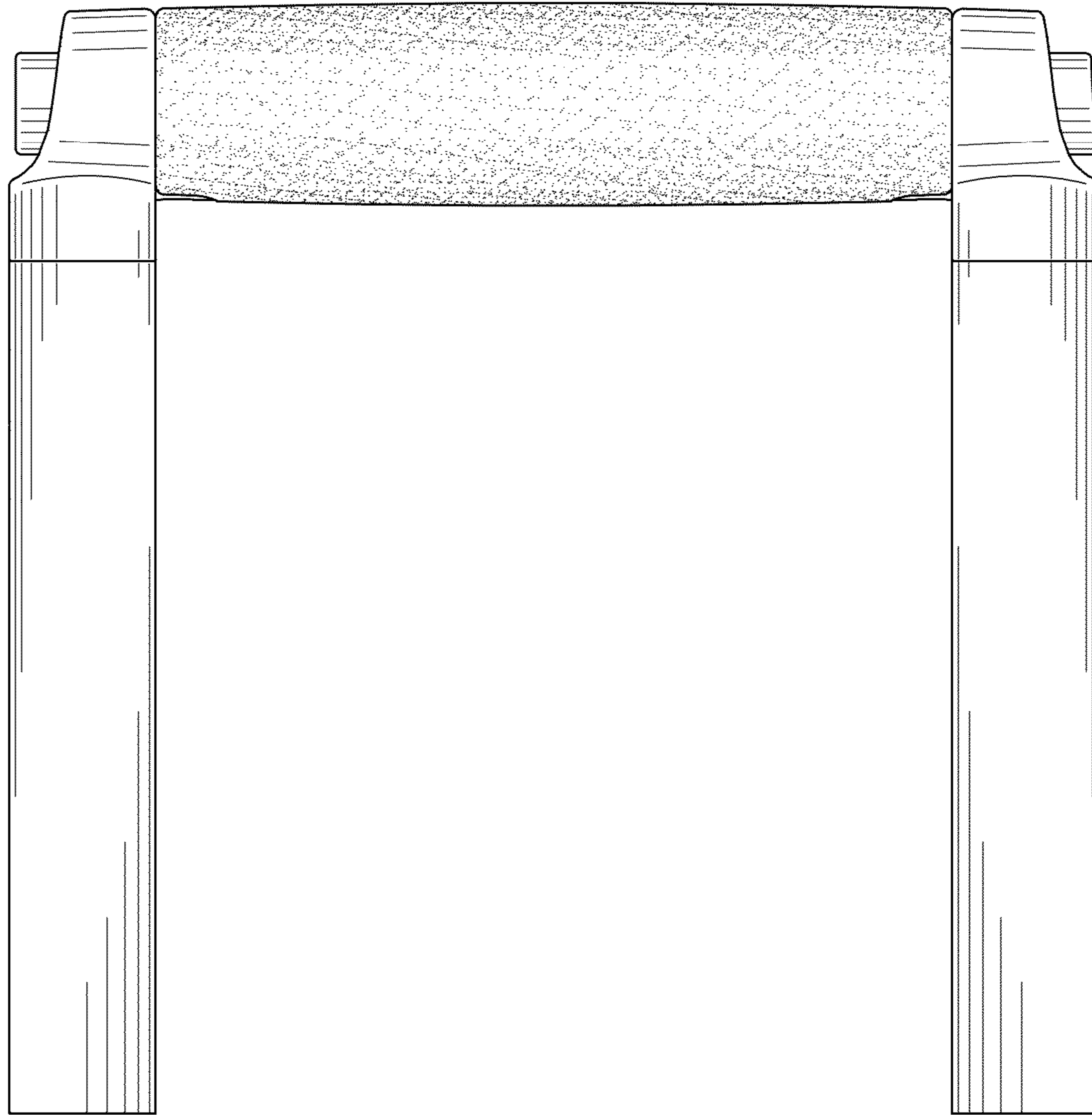


FIG. 3

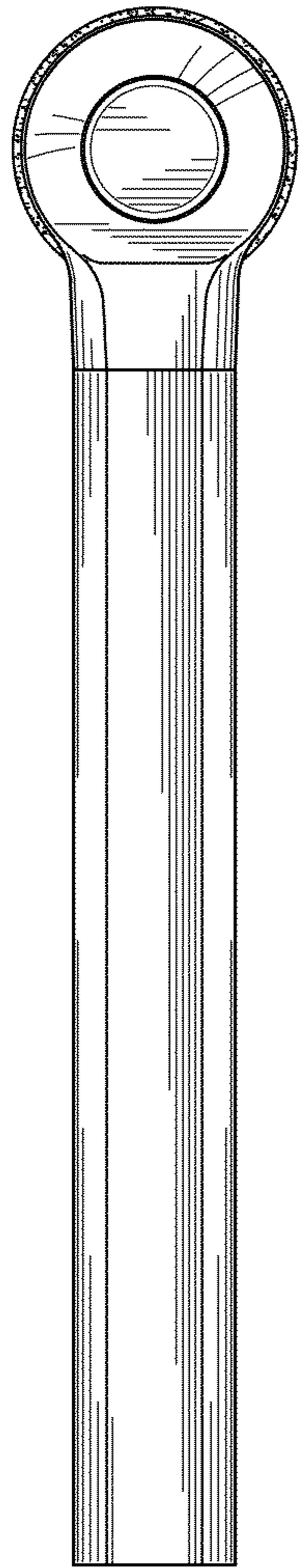


FIG. 4

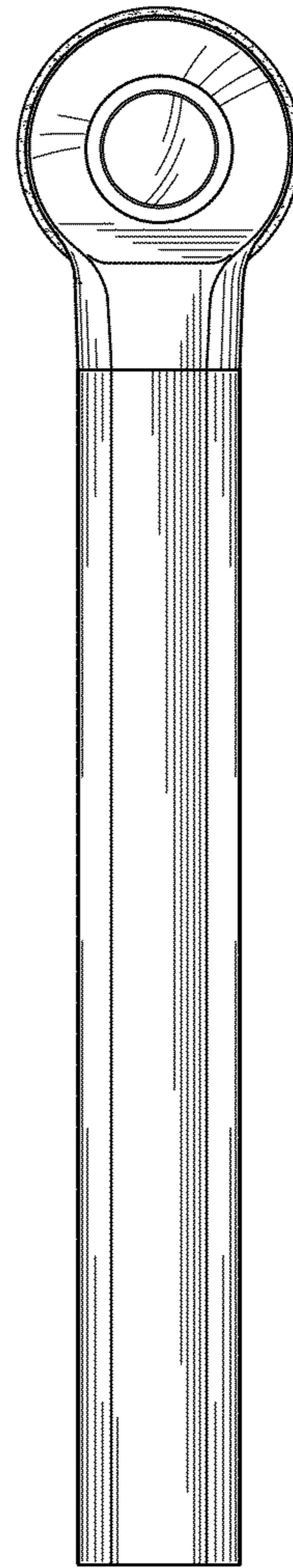


FIG. 5

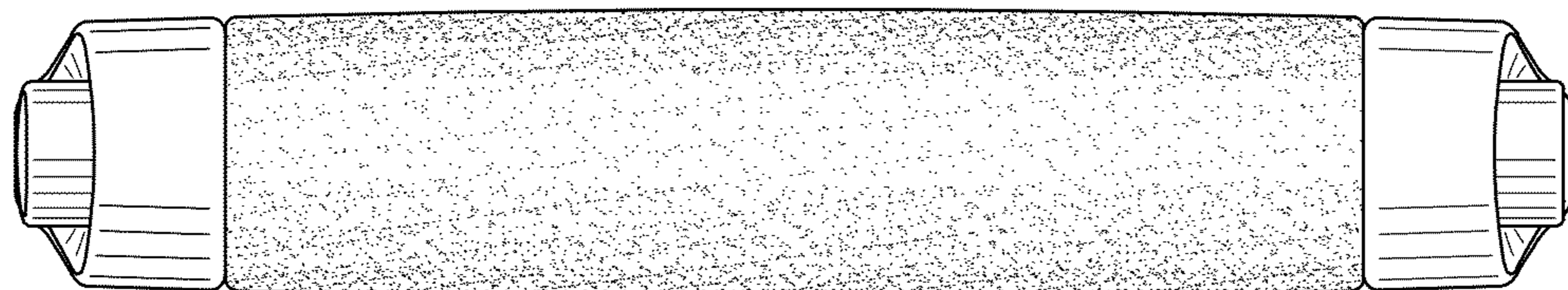


FIG. 6

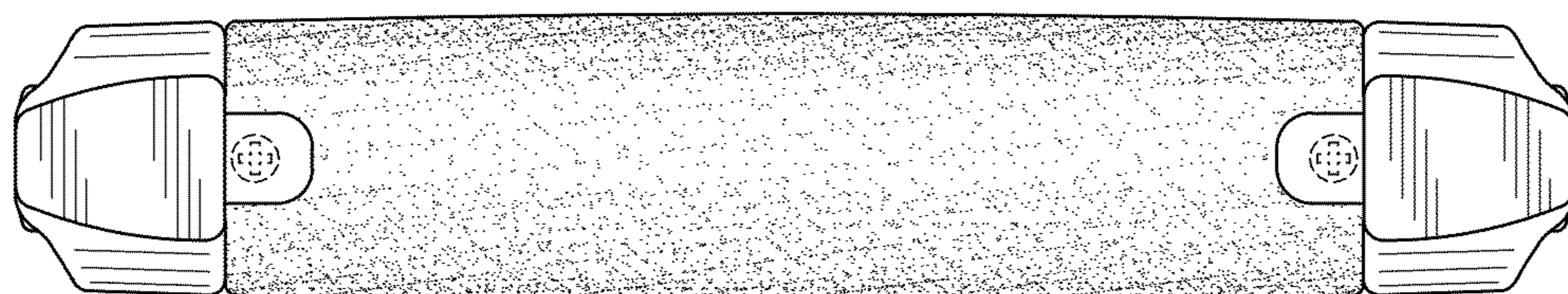


FIG. 7

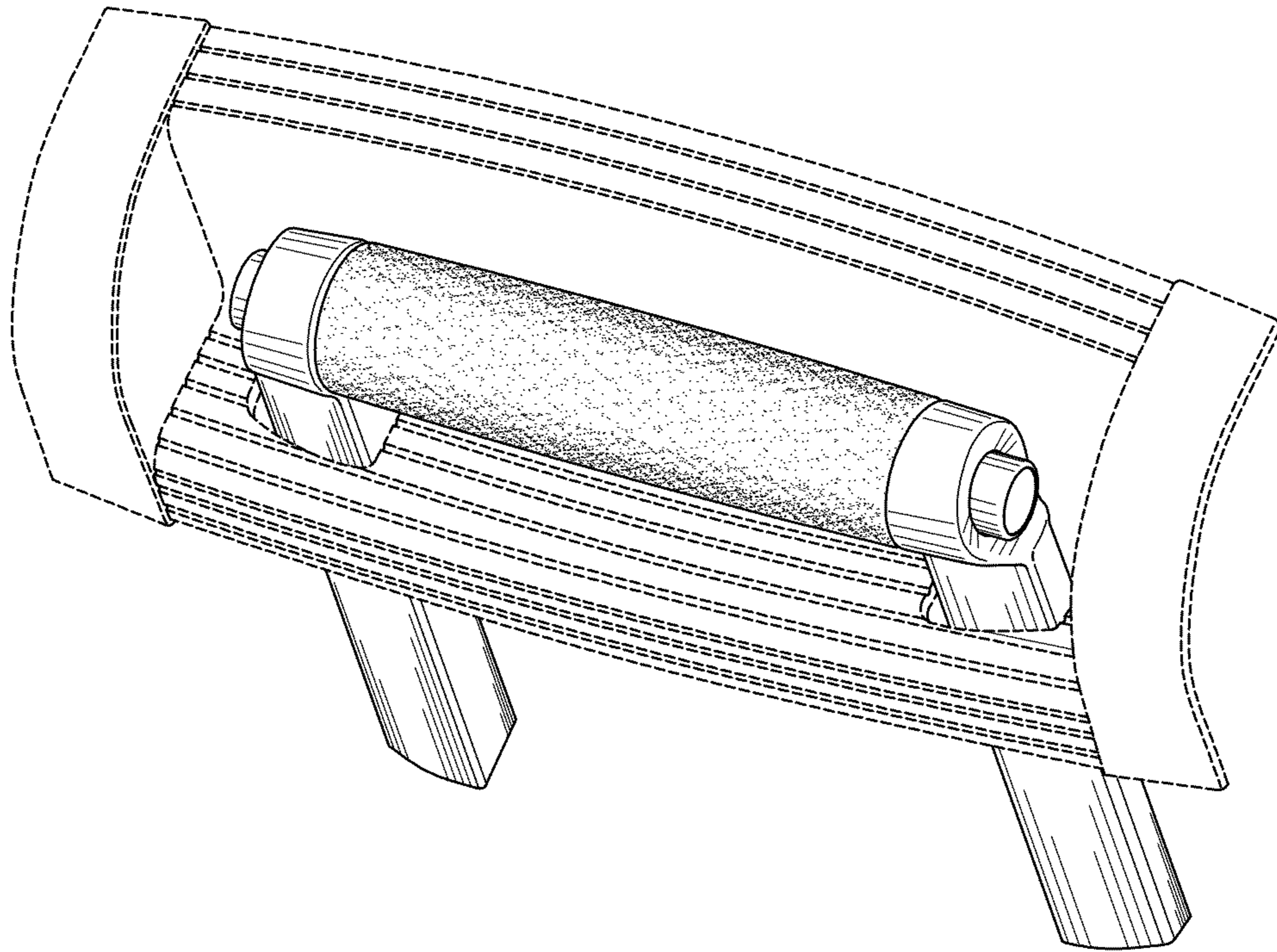


FIG. 8