



US00D716555S

(12) **United States Design Patent**  
**Moon**

(10) **Patent No.:** **US D716,555 S**

(45) **Date of Patent:** **\*\* Nov. 4, 2014**

(54) **PANEL OF SUITCASE**

(71) Applicant: **FTI Group (Holding) Company Limited**, Grand Cayman (KY)

(72) Inventor: **Jerry Moon**, Taipei (TW)

(73) Assignee: **FTI Group (Holding) Company Limited**, Grand Cayman (KY)

(\*\*) Term: **14 Years**

(21) Appl. No.: **29/449,740**

(22) Filed: **Mar. 15, 2013**

(30) **Foreign Application Priority Data**

Feb. 27, 2013 (TW) ..... 102301435

(51) **LOC (10) Cl.** ..... **03-01**

(52) **U.S. Cl.**  
USPC ..... **D3/318**

(58) **Field of Classification Search**  
USPC ..... D3/273, 276, 279, 283, 284, 285, 289,  
D3/301, 318, 319, 321, 902; 190/18 A,  
190/100, 103, 104, 107, 109, 111-113, 115,  
190/116, 119

See application file for complete search history.

(56) **References Cited**

**U.S. PATENT DOCUMENTS**

D381,511 S \* 7/1997 Krulik ..... D3/279  
D389,308 S \* 1/1998 King et al. .... D3/279

6,102,172 A \* 8/2000 Dercole ..... 190/18 A  
6,213,266 B1 \* 4/2001 Hollingsworth ..... 190/108  
6,213,267 B1 \* 4/2001 Miller ..... 190/108  
D455,262 S \* 4/2002 Krulik ..... D3/279  
D597,309 S \* 8/2009 Jongchul ..... D3/279  
D600,450 S \* 9/2009 Coughlin ..... D3/319  
D640,868 S \* 7/2011 Jongchul ..... D3/279  
2008/0110711 A1 \* 5/2008 Coughlin ..... 190/9

\* cited by examiner

*Primary Examiner* — Deanna L Pratt

*Assistant Examiner* — Lilyana Bekic

(74) *Attorney, Agent, or Firm* — Shimokaji & Associates P.C.

(57) **CLAIM**

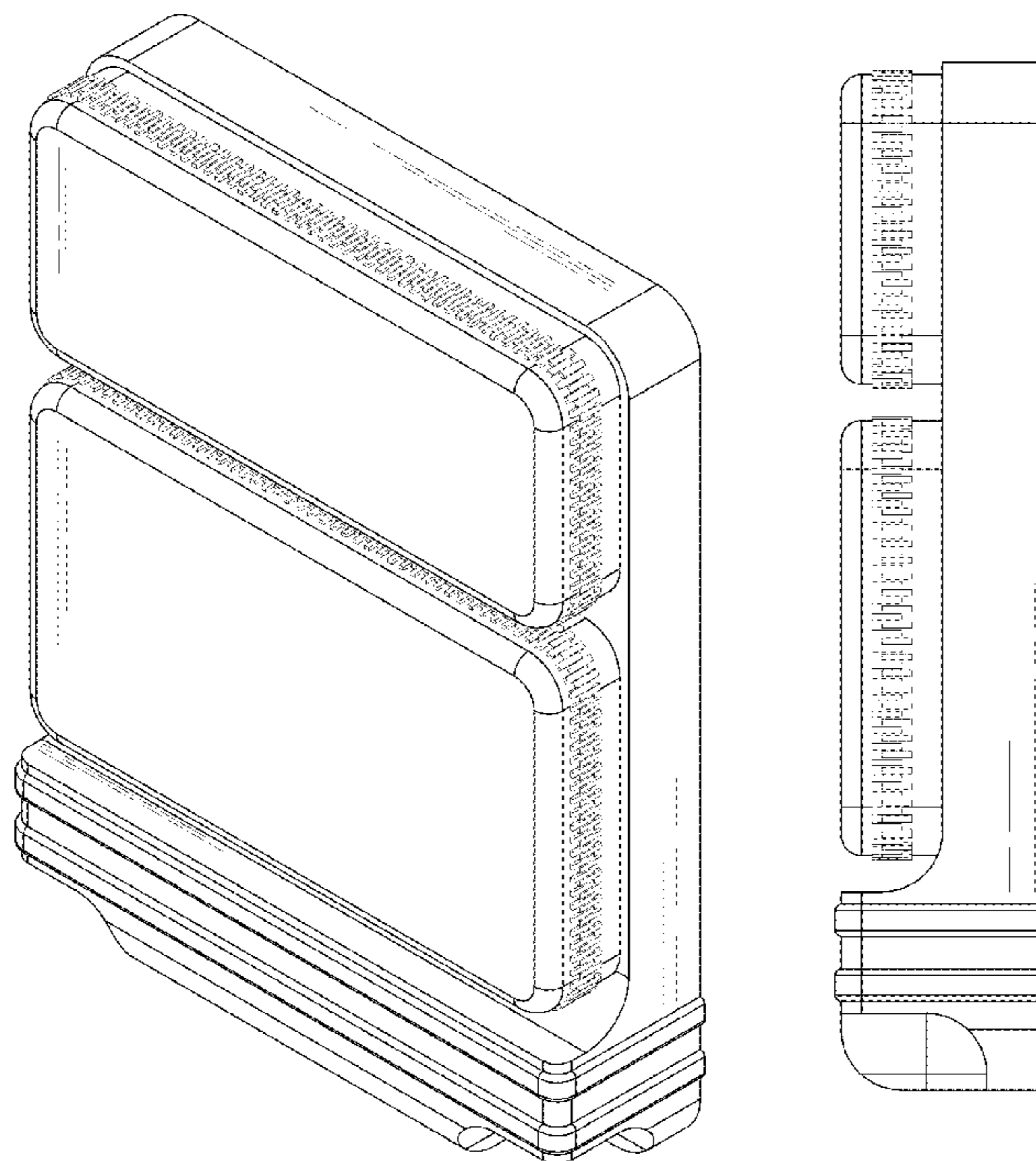
The ornamental design of a panel of suitcase, as shown and described.

**DESCRIPTION**

FIG. 1 is a perspective view of a panel of suitcase showing my new design;  
FIG. 2 is a front view thereof;  
FIG. 3 is a rear view thereof;  
FIG. 4 is a left side view thereof;  
FIG. 5 is a right side view thereof;  
FIG. 6 is a top view thereof; and,  
FIG. 7 is a bottom view thereof.

The broken lines in the drawings illustrate portions of the panel of suitcase which form no part of the claimed design.

**1 Claim, 5 Drawing Sheets**



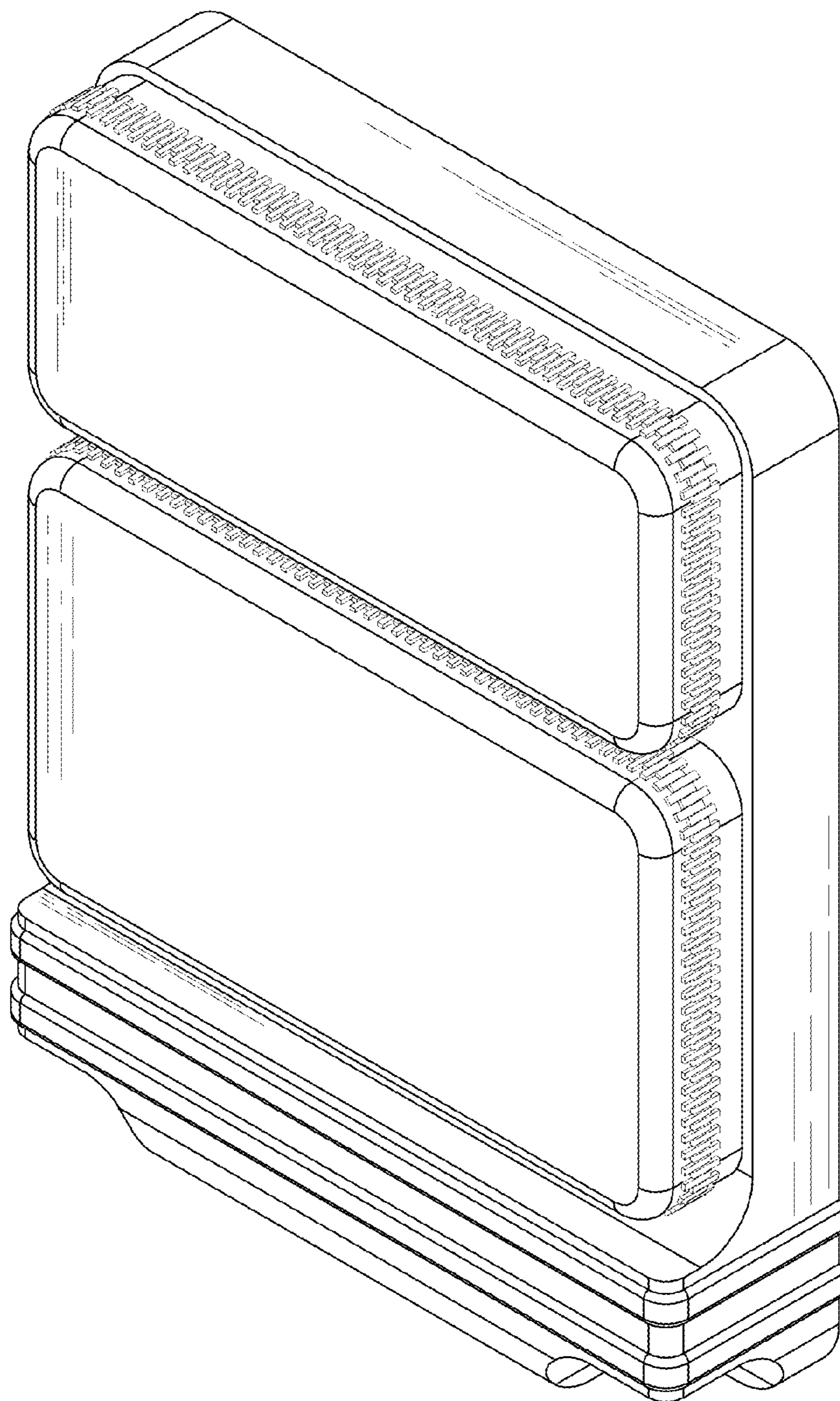


FIG. 1

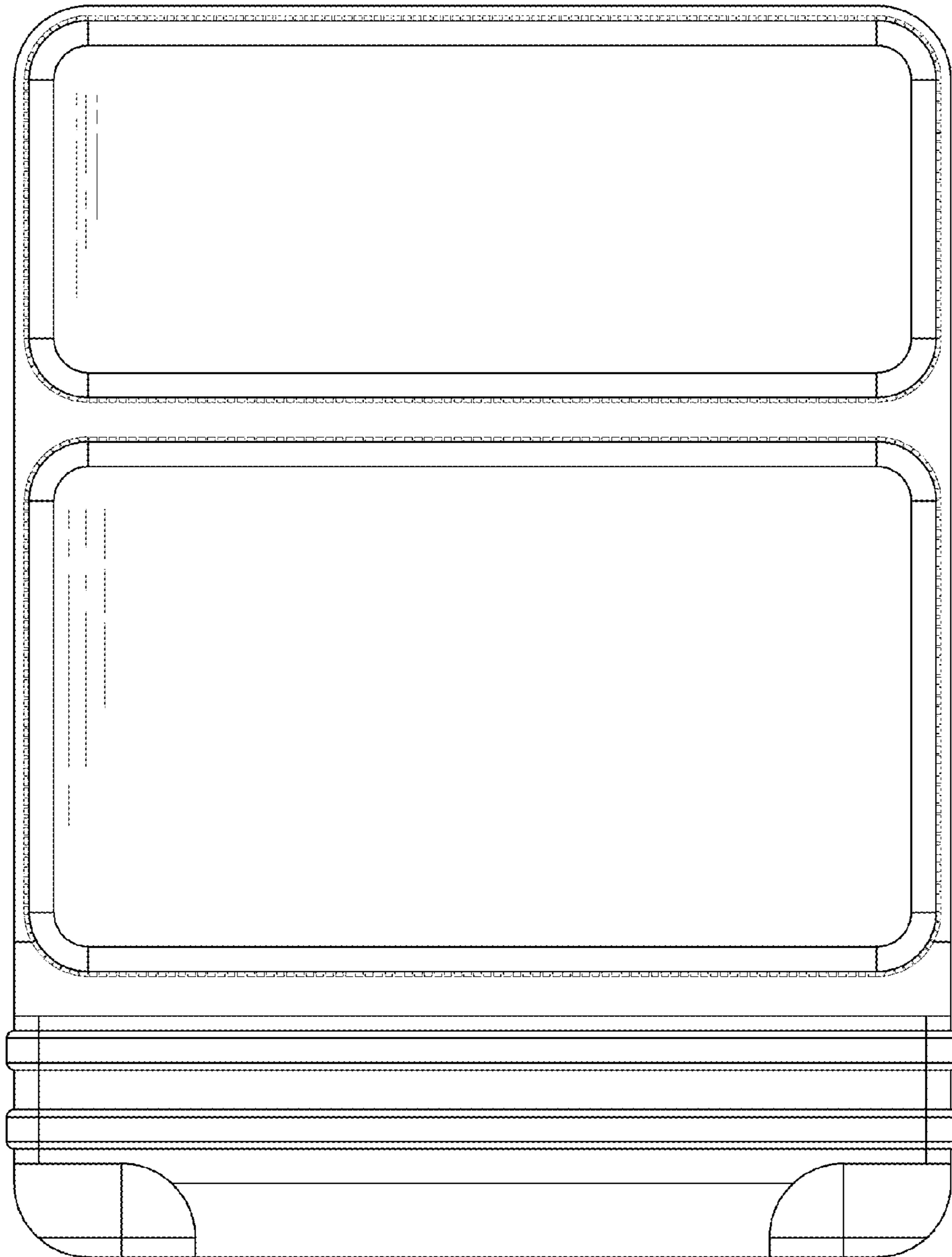


FIG. 2

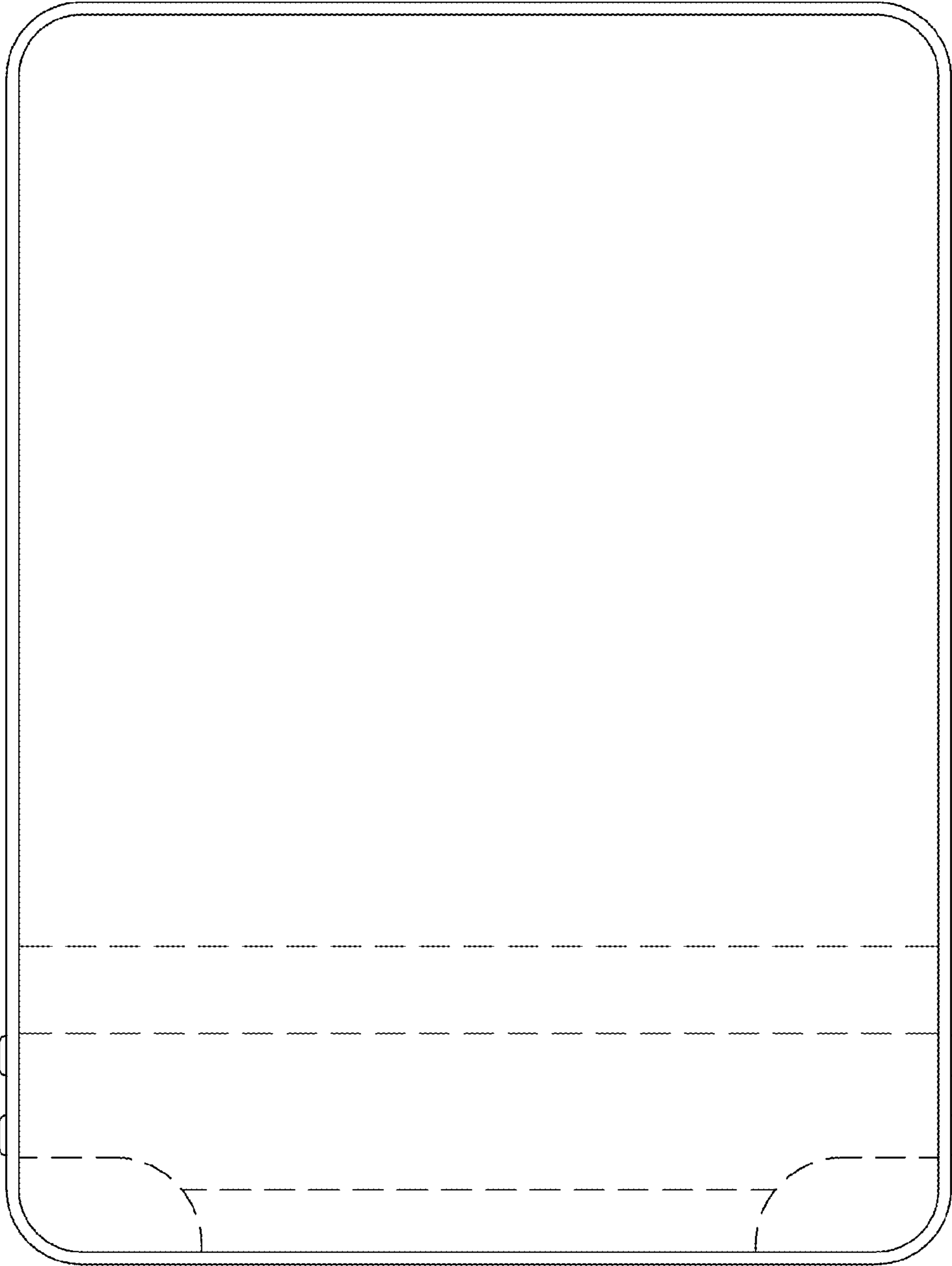


FIG. 3



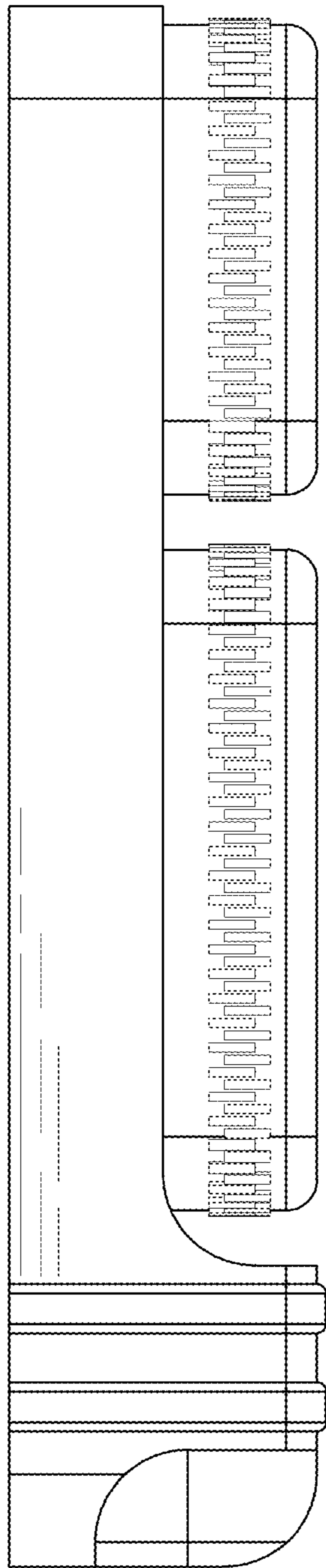


FIG. 4

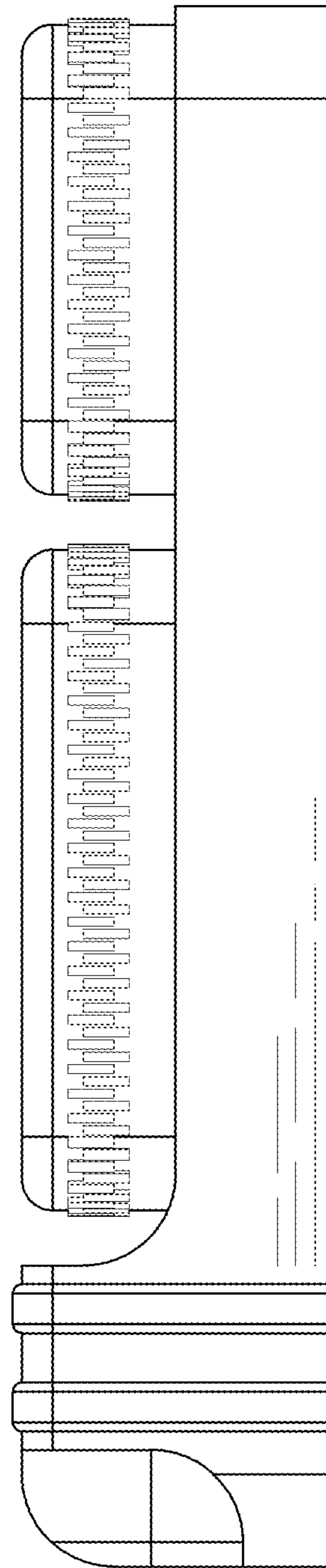


FIG. 5

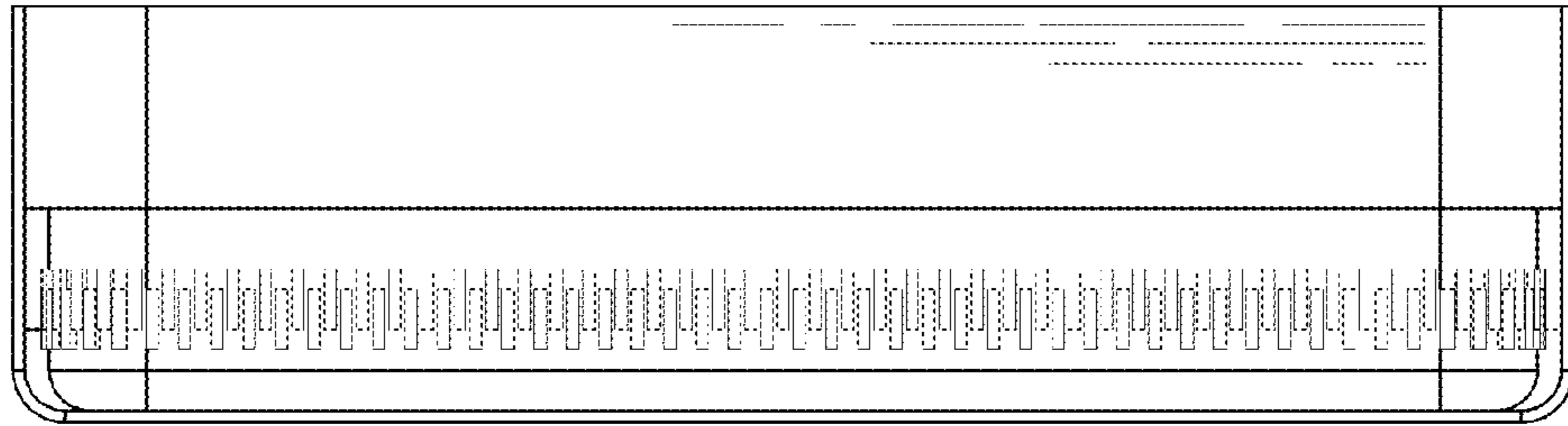


FIG. 6

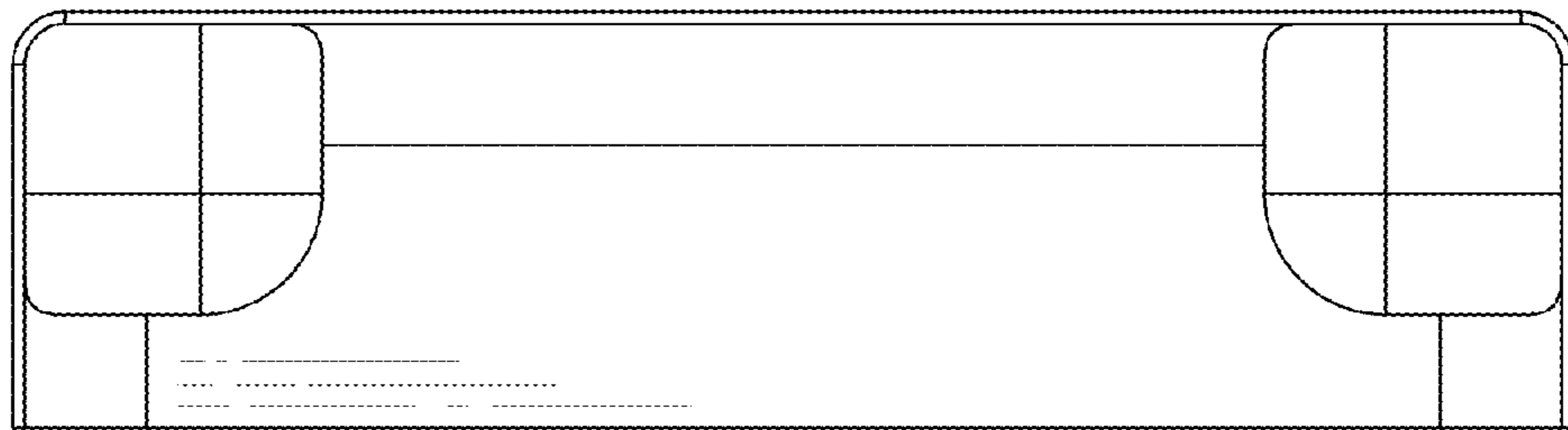


FIG. 7