

US00D716554S

(12) **United States Design Patent**
Chen

(10) **Patent No.:** **US D716,554 S**

(45) **Date of Patent:** **** Nov. 4, 2014**

(54) **TOOL KIT**

(71) Applicant: **Andrew D. Chen**, Memphis, TN (US)

(72) Inventor: **Andrew D. Chen**, Memphis, TN (US)

(**) Term: **14 Years**

(21) Appl. No.: **29/435,099**

(22) Filed: **Oct. 19, 2012**

(51) **LOC (10) Cl.** **03-02**

(52) **U.S. Cl.**
USPC **D3/315**

(58) **Field of Classification Search**
USPC D3/315-317, 303, 304, 265, 307, 308,
D3/310, 313; D7/600; D11/148; 220/500,
220/659; 206/216

See application file for complete search history.

(56) **References Cited**

U.S. PATENT DOCUMENTS

2,592,212 A * 4/1952 Turner 294/143
2,740,517 A * 4/1956 Evans 206/373
D184,605 S * 3/1959 Cooper D3/200

4,122,944 A * 10/1978 De Napoli 206/349
4,432,459 A * 2/1984 Coldren 211/85.11
D451,281 S * 12/2001 Wodkowski et al. D3/315
D460,620 S * 7/2002 Smithey D3/315
D492,113 S * 6/2004 Bayer et al. D3/310
D639,067 S * 6/2011 Fry D3/315

* cited by examiner

Primary Examiner — Ian Simmons

Assistant Examiner — Charles Hanson

(74) *Attorney, Agent, or Firm* — Cong Ding

(57) **CLAIM**

The ornamental design for a tool kit, as shown and described.

DESCRIPTION

FIG. 1 is a perspective view of a tool kit showing the new design.

FIG. 2 is a front view thereof.

FIG. 3 is a rear view thereof.

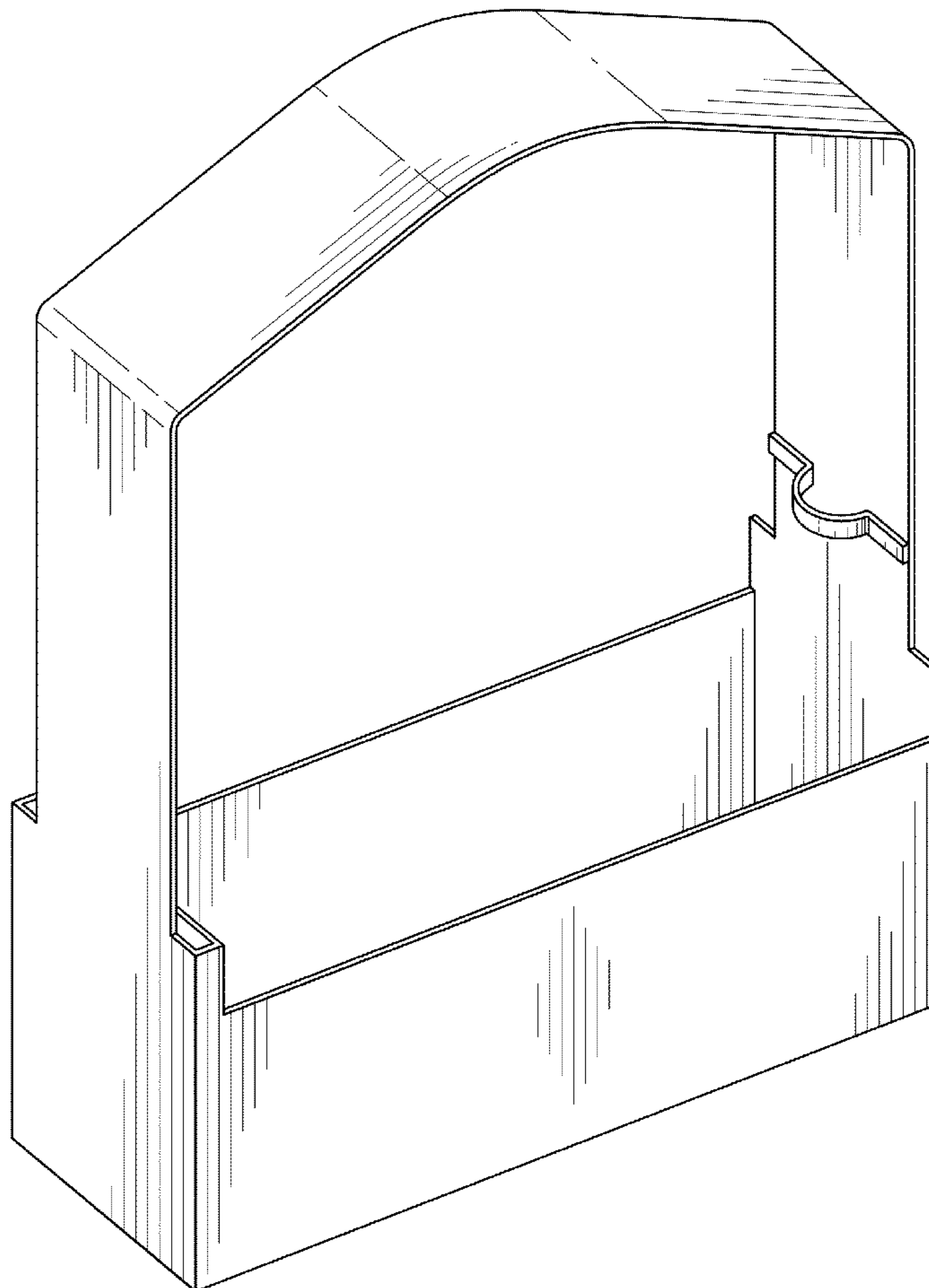
FIG. 4 is a right hand side view thereof.

FIG. 5 is left hand side view thereof.

FIG. 6 is top plan view thereof; and,

FIG. 7 is a bottom plan view thereof.

1 Claim, 5 Drawing Sheets



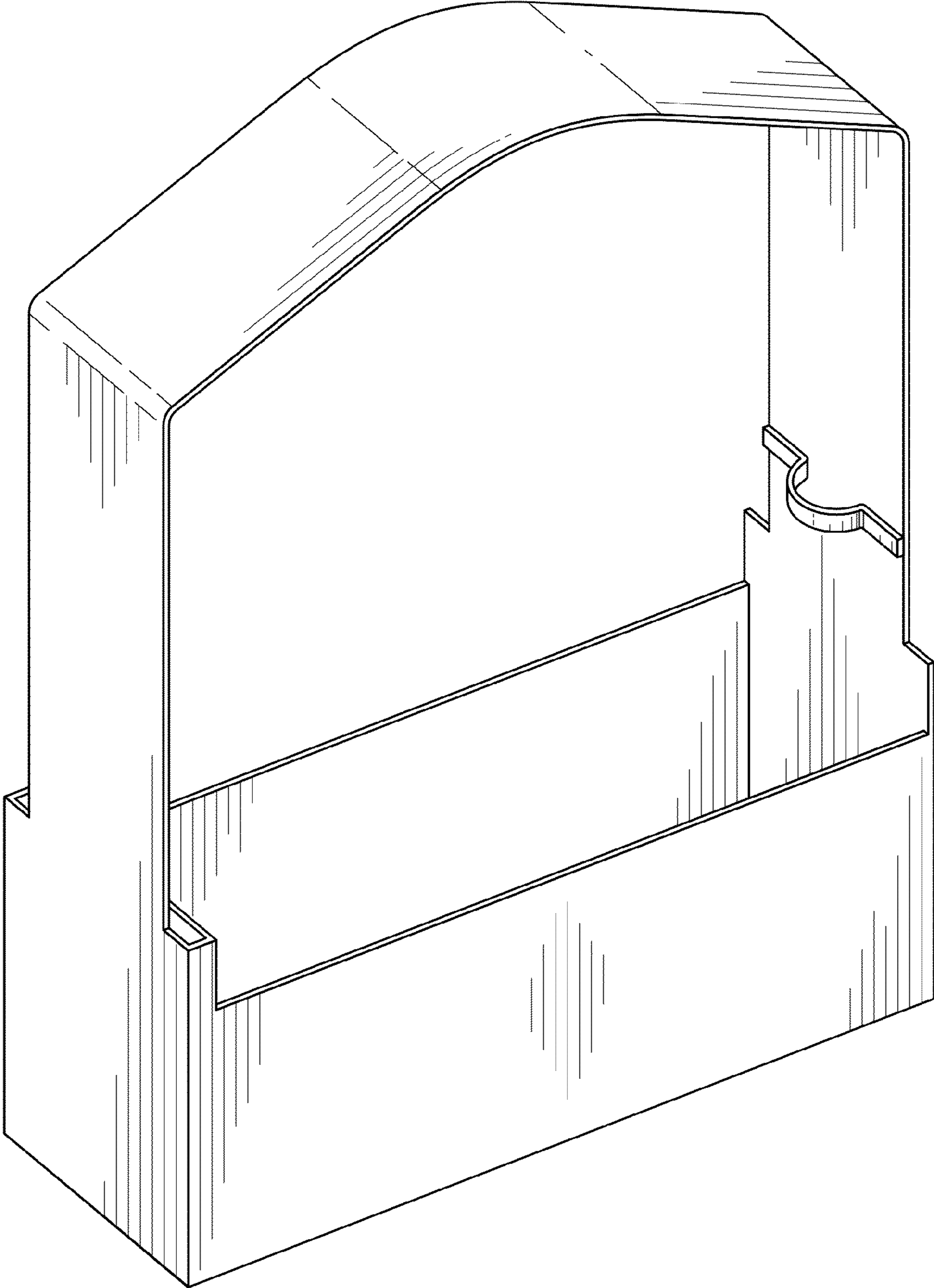


FIG. 1

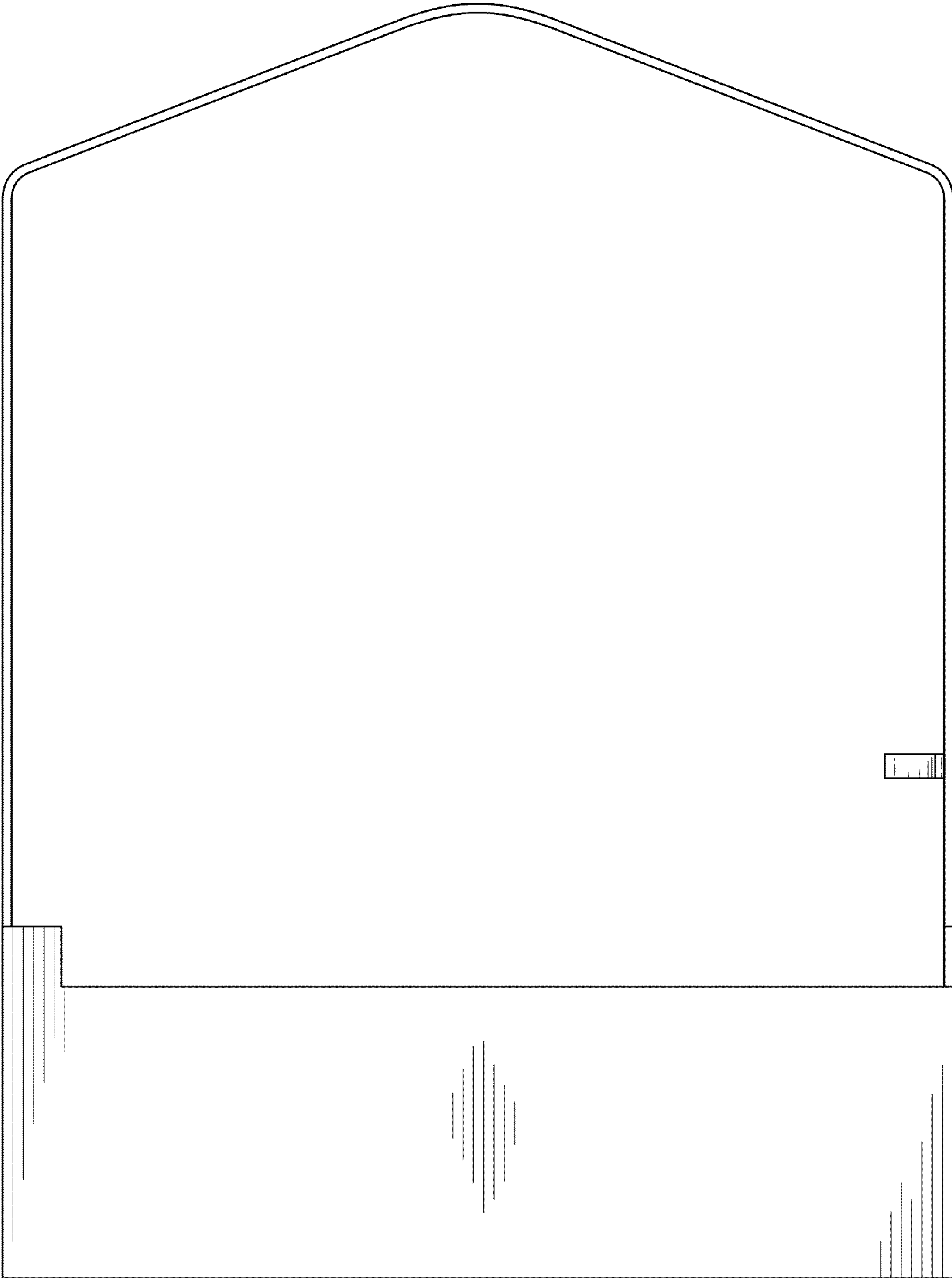


FIG. 2

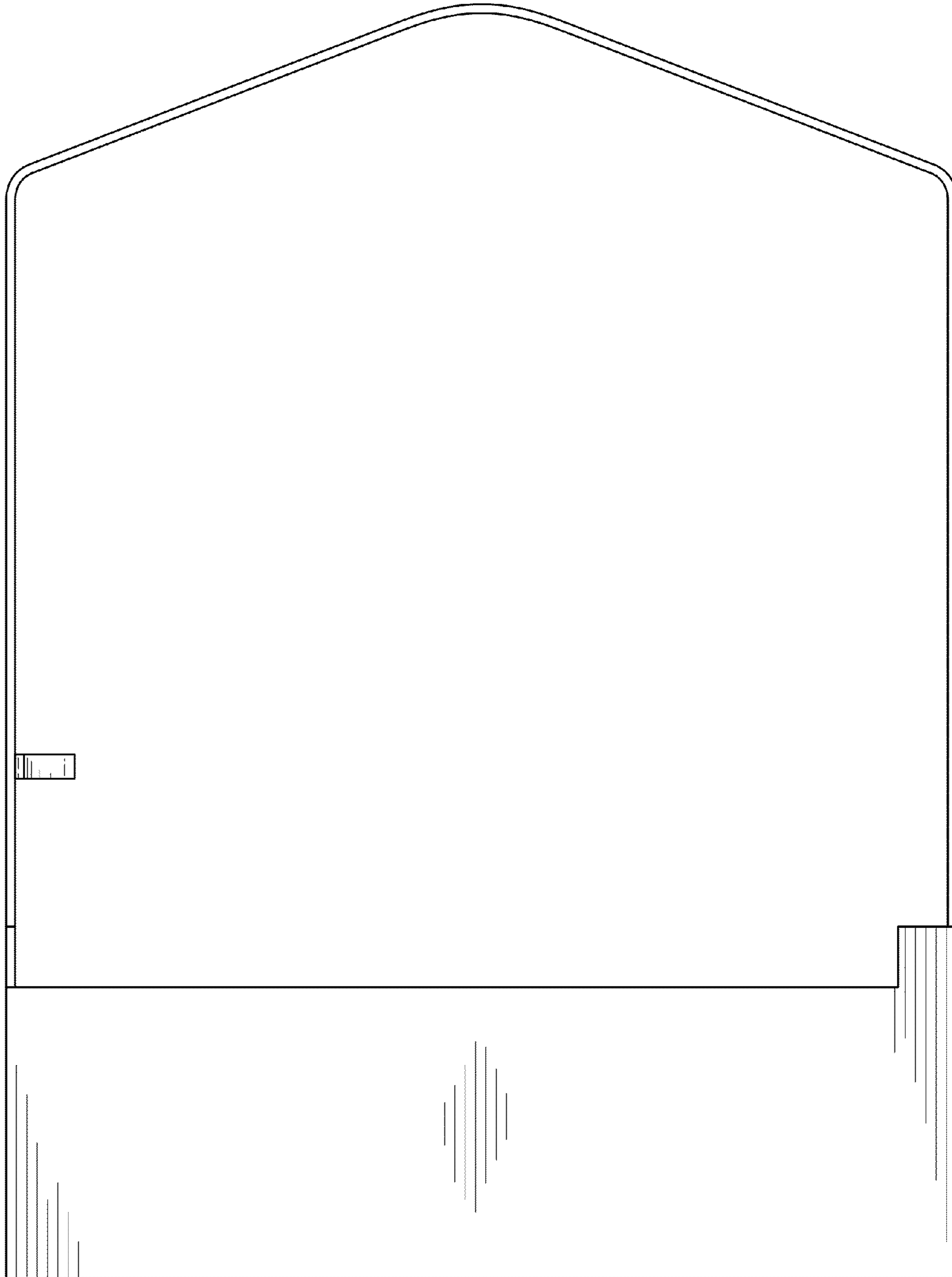


FIG. 3

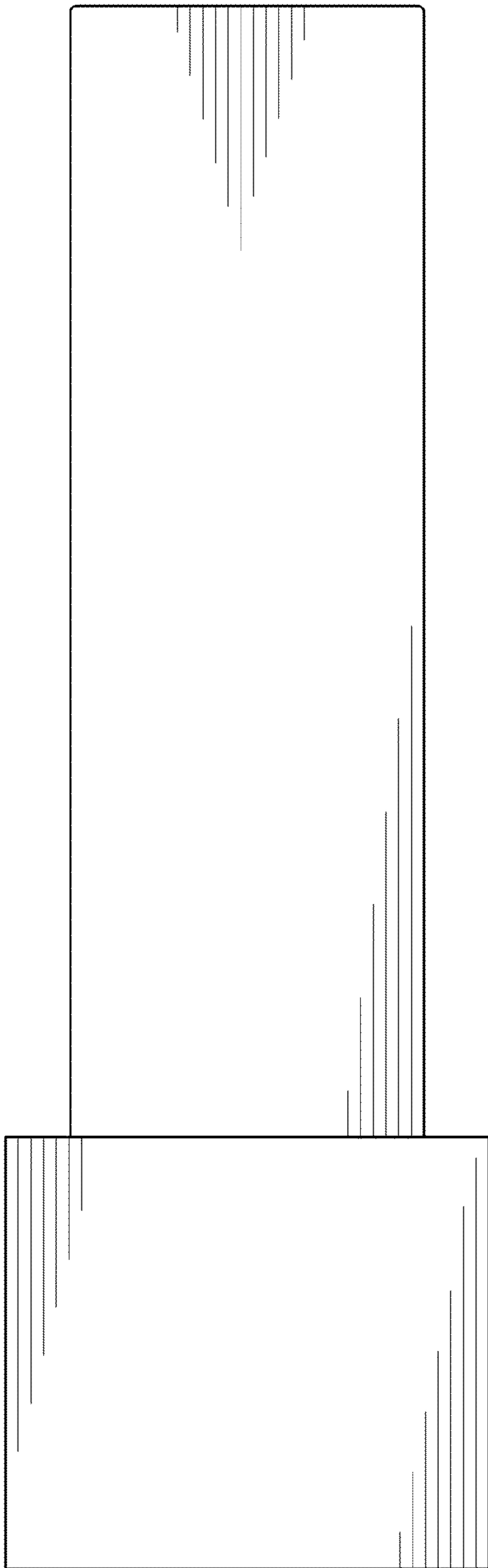


FIG. 4

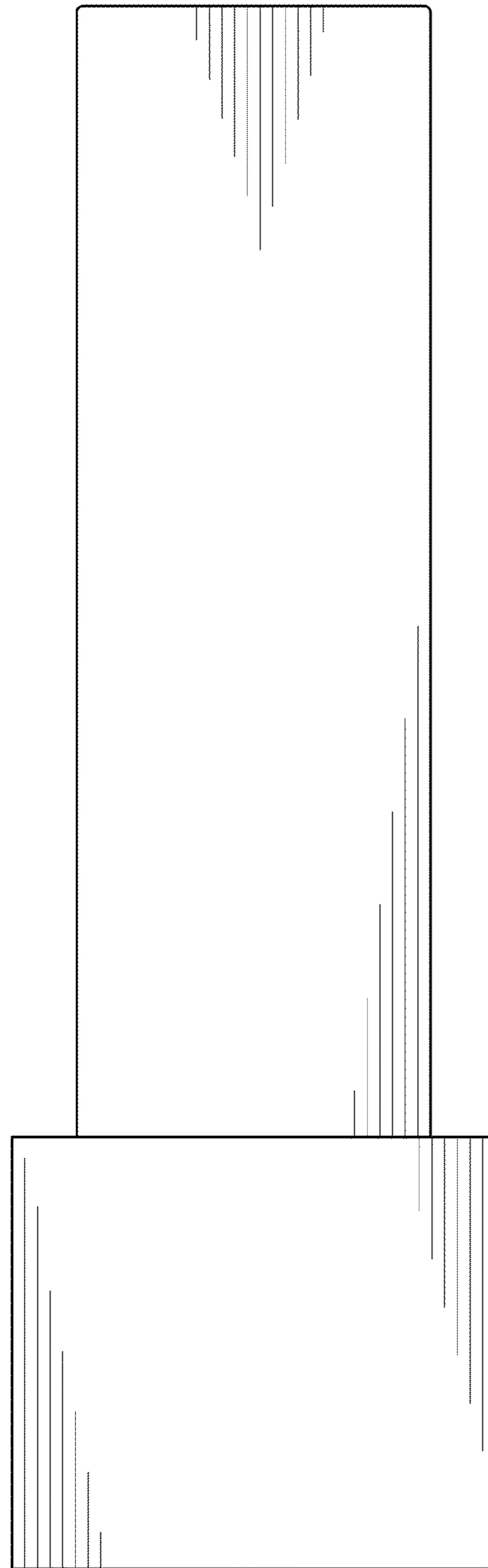


FIG. 5

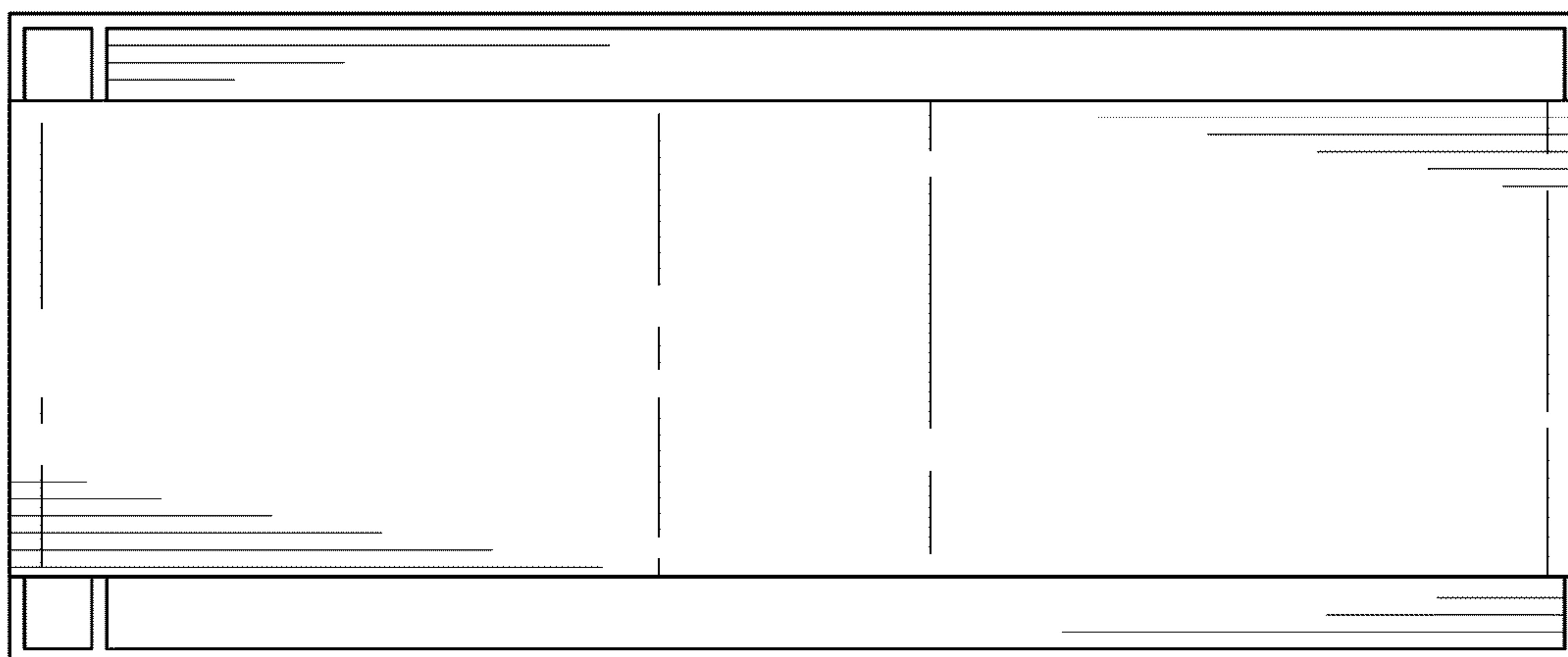


FIG. 6



FIG. 7