



US00D716553S

(12) **United States Design Patent**
Wang

(10) **Patent No.:** **US D716,553 S**

(45) **Date of Patent:** **** Nov. 4, 2014**

(54) **COLLAPSIBLE STORAGE BASKET**

(71) Applicant: **Wen-Tsan Wang**, Taipei (TW)

(72) Inventor: **Wen-Tsan Wang**, Taipei (TW)

(**) Term: **14 Years**

(21) Appl. No.: **29/479,222**

(22) Filed: **Jan. 14, 2014**

(51) **LOC (10) Cl.** **03-01**

(52) **U.S. Cl.**
USPC **D3/307**

(58) **Field of Classification Search**
USPC D3/304-314; D6/566-567, 569, 512;
D19/75, 78, 86, 90-91, 99-100;
211/10-11, 13.1, 45, 50, 52, 55, 87.01,
211/90.03, 126.13, 88.01; 220/456, 9.4,
220/6-7

See application file for complete search history.

(56) **References Cited**

U.S. PATENT DOCUMENTS

2,042,977	A *	6/1936	Ahlmark et al.	220/9.3
D155,392	S *	10/1949	Danielson	D3/309
4,941,586	A *	7/1990	Tarna	222/572
D326,552	S *	5/1992	Goodell	D3/312
D358,484	S *	5/1995	Cautereels et al.	D3/310
D397,250	S *	8/1998	Fink et al.	D3/309
D405,268	S *	2/1999	Apenes	D3/309

D611,709	S *	3/2010	Ceravolo	D3/304
D616,202	S *	5/2010	Whitlock et al.	D3/306
D624,754	S *	10/2010	van Wijk et al.	D3/308
D636,952	S *	4/2011	Baldwin et al.	D32/3
D670,500	S *	11/2012	Sosnovsky	D3/304

* cited by examiner

Primary Examiner — Kelley Donnelly

(74) *Attorney, Agent, or Firm* — Leong C. Lei

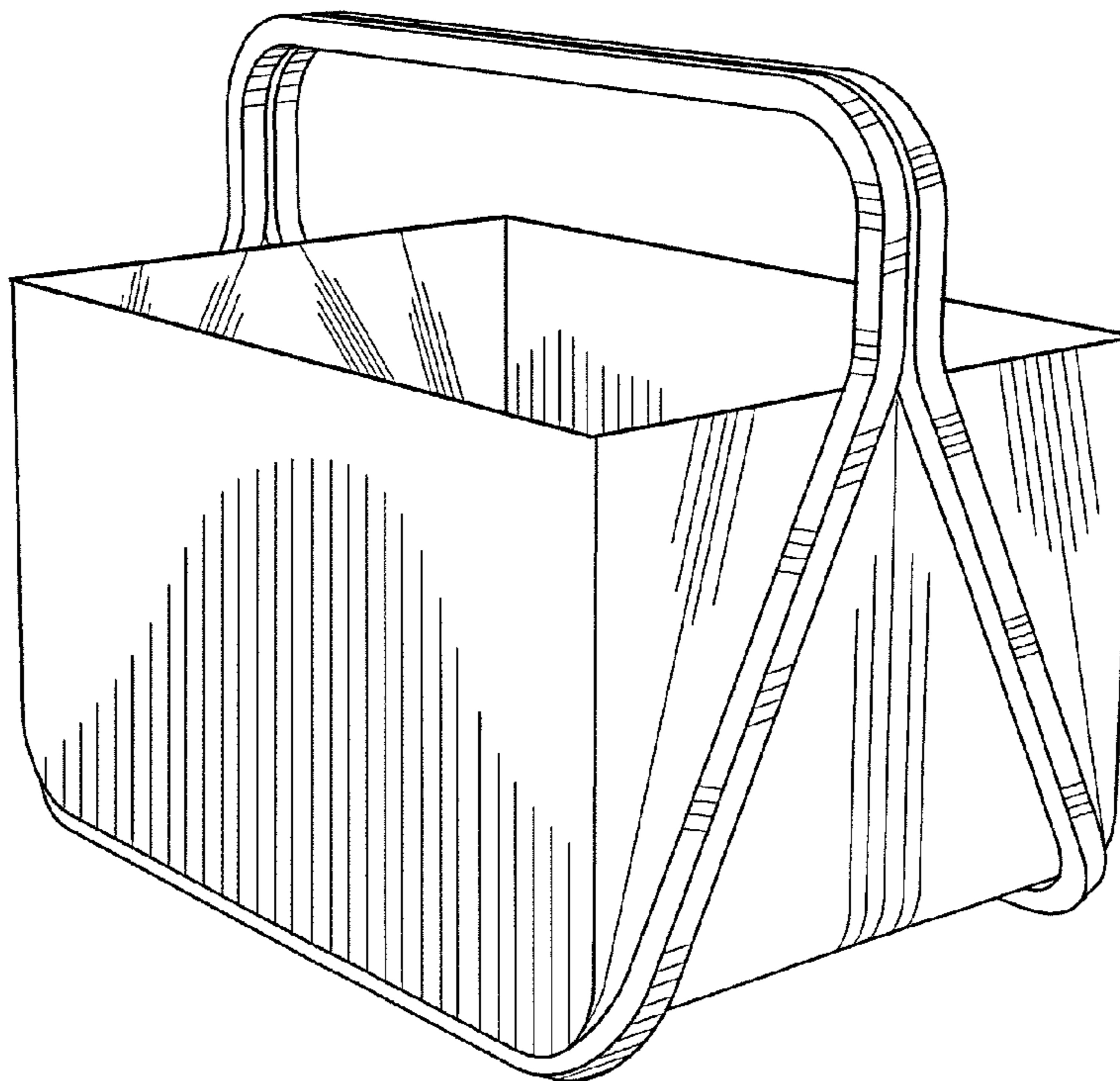
(57) **CLAIM**

The ornamental design for a collapsible storage basket, as shown and described.

DESCRIPTION

FIG. 1 is a perspective view of a collapsible storage basket showing my new design;
 FIG. 2 is a front elevational view thereof;
 FIG. 3 is a rear elevational view thereof;
 FIG. 4 is a left side elevational view thereof;
 FIG. 5 is a right side elevational view thereof;
 FIG. 6 is a top plan view thereof;
 FIG. 7 is a bottom plan view thereof;
 FIG. 8 is another perspective view thereof, showing the status while in use;
 FIG. 9 is another perspective view thereof, showing the status while in use; and,
 FIG. 10 is another perspective view thereof, showing the status while in use.

1 Claim, 9 Drawing Sheets



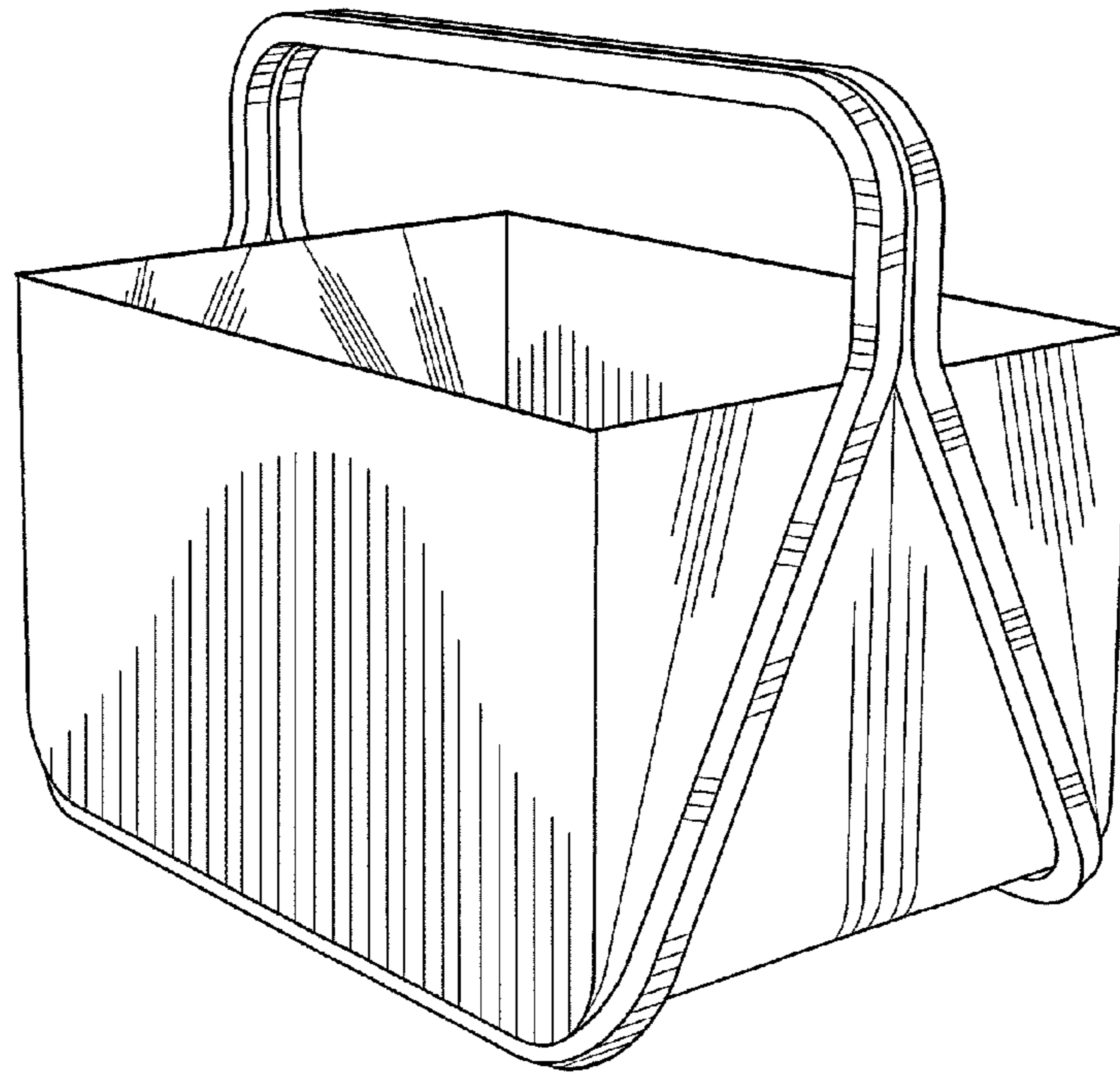


FIG. 1

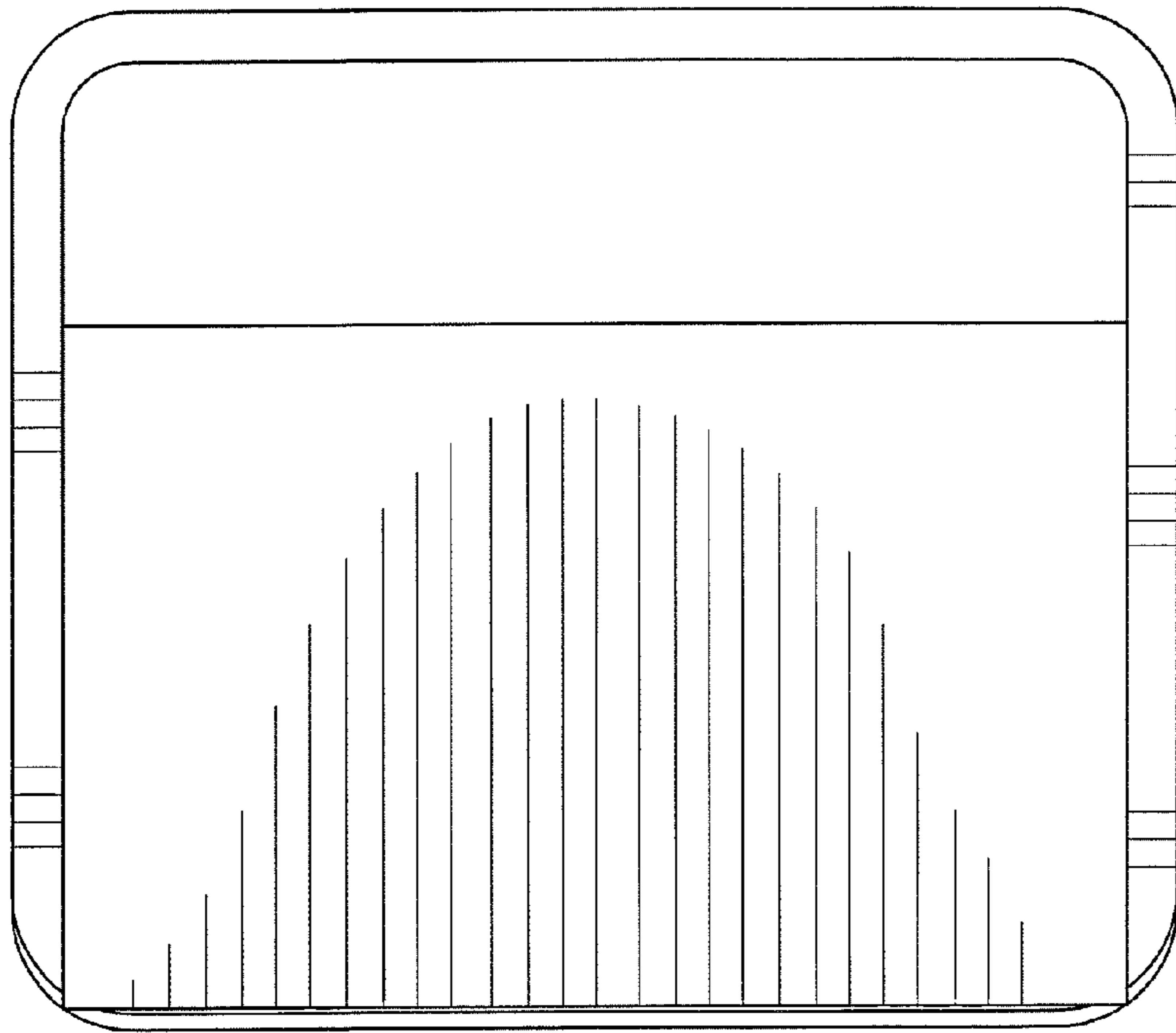


FIG. 2

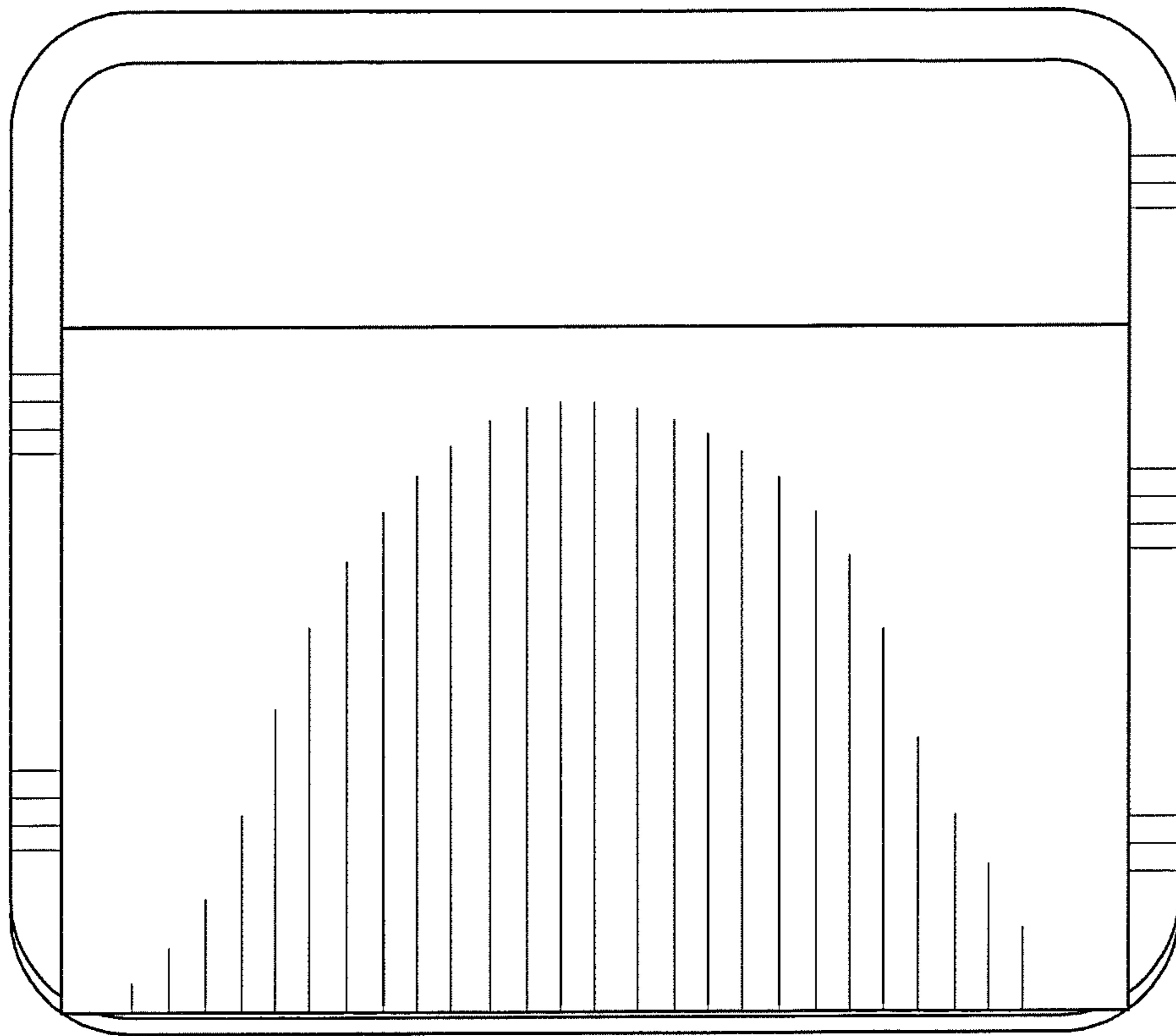


FIG. 3

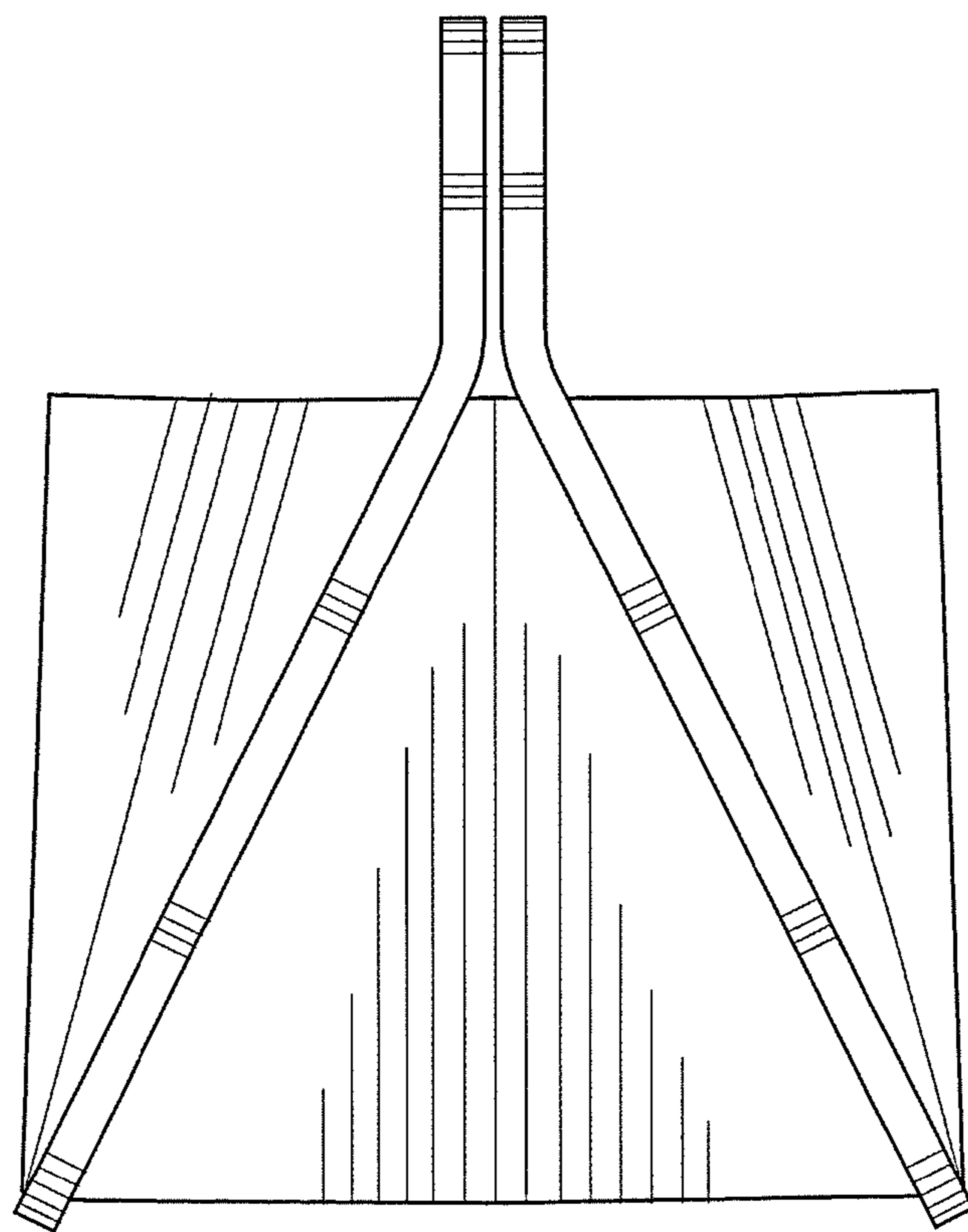


FIG. 4

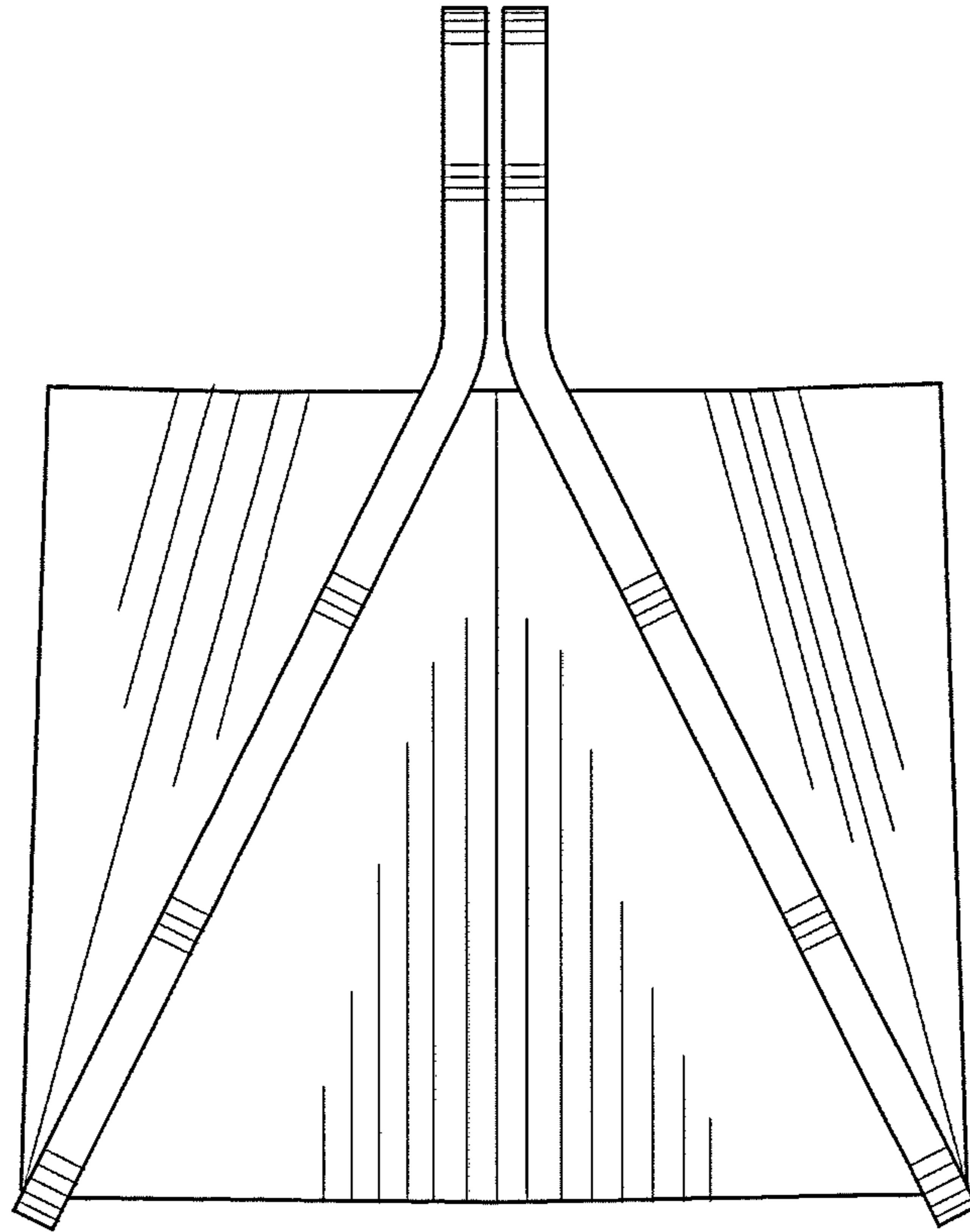


FIG. 5

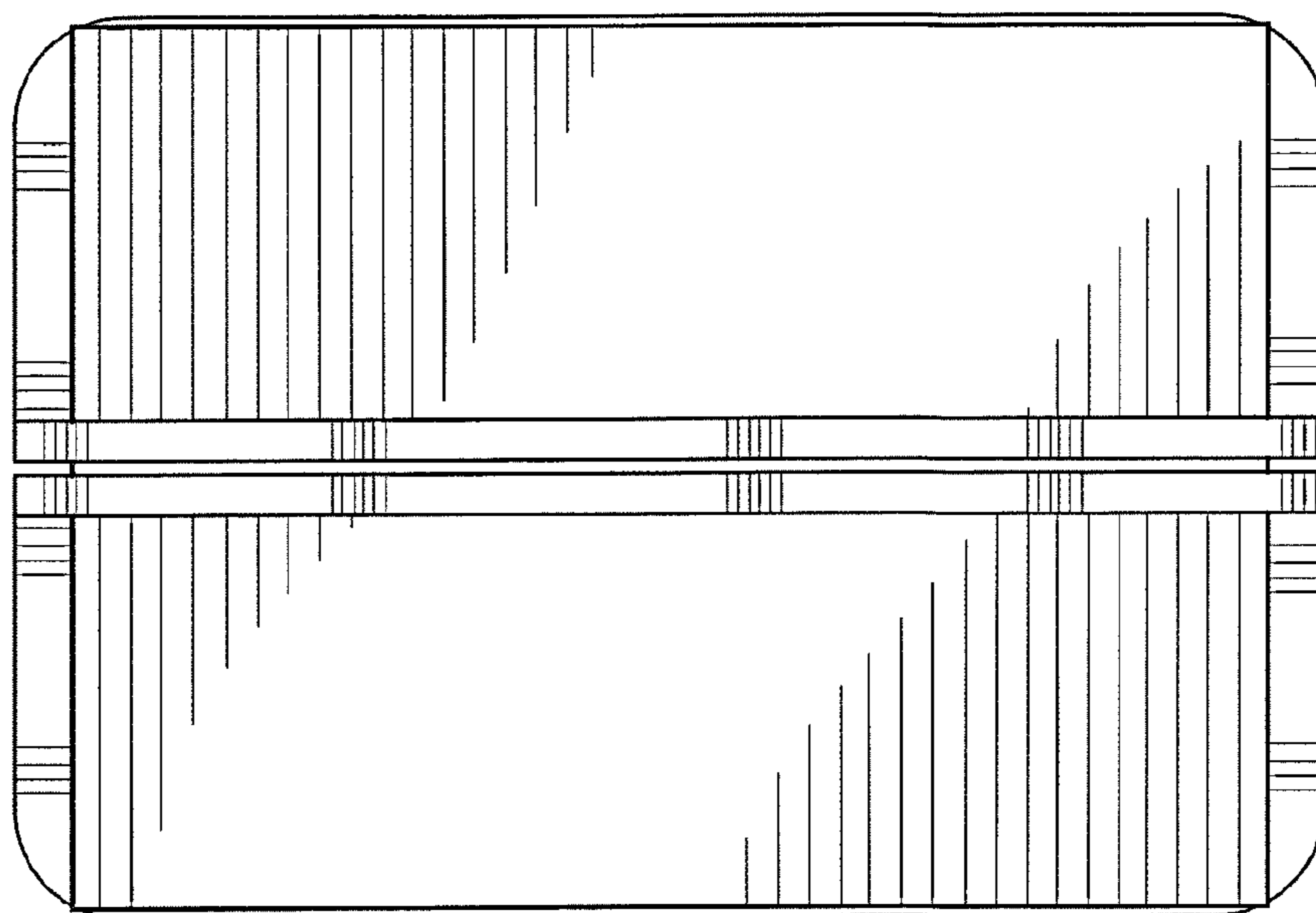


FIG. 6

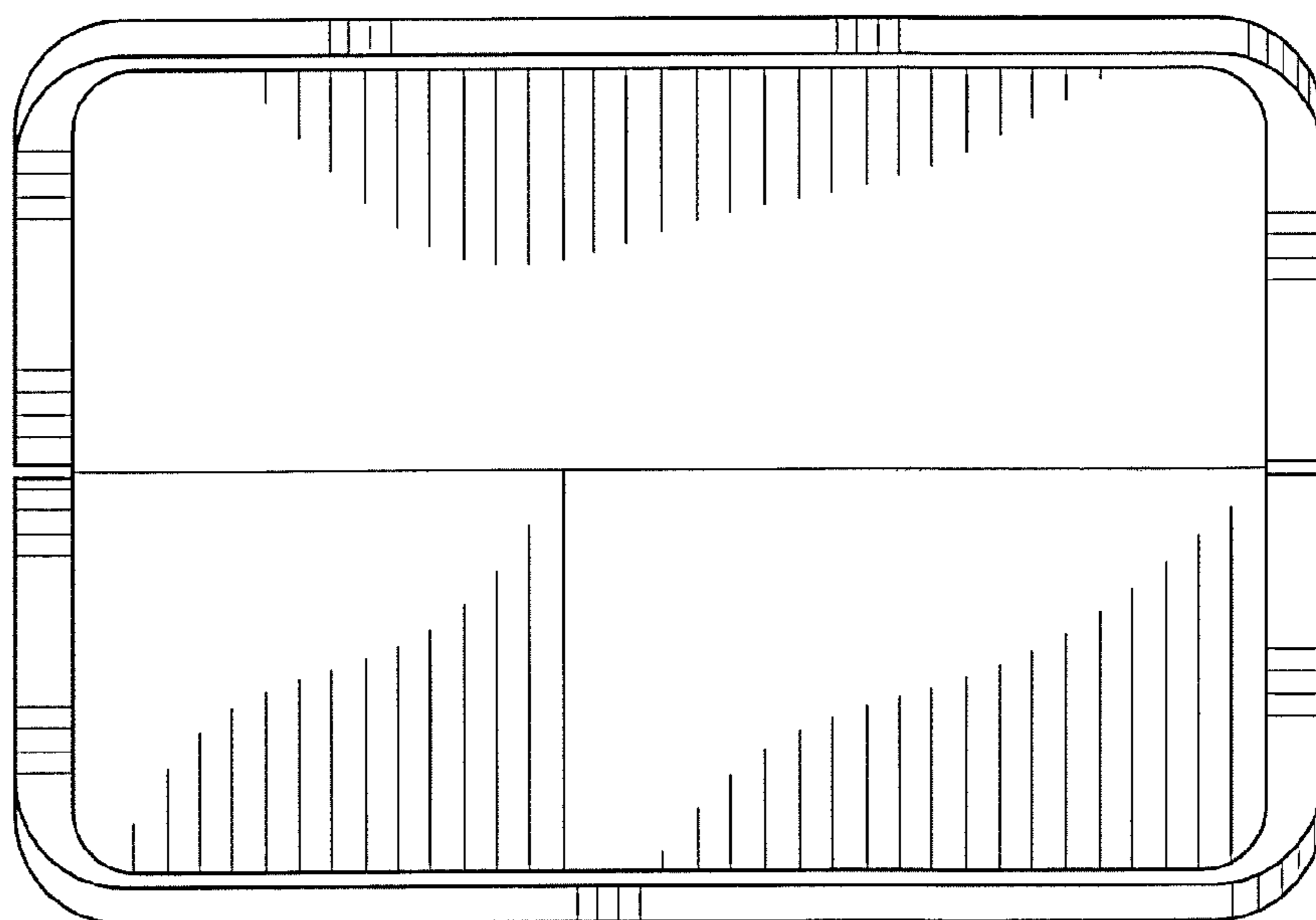


FIG. 7

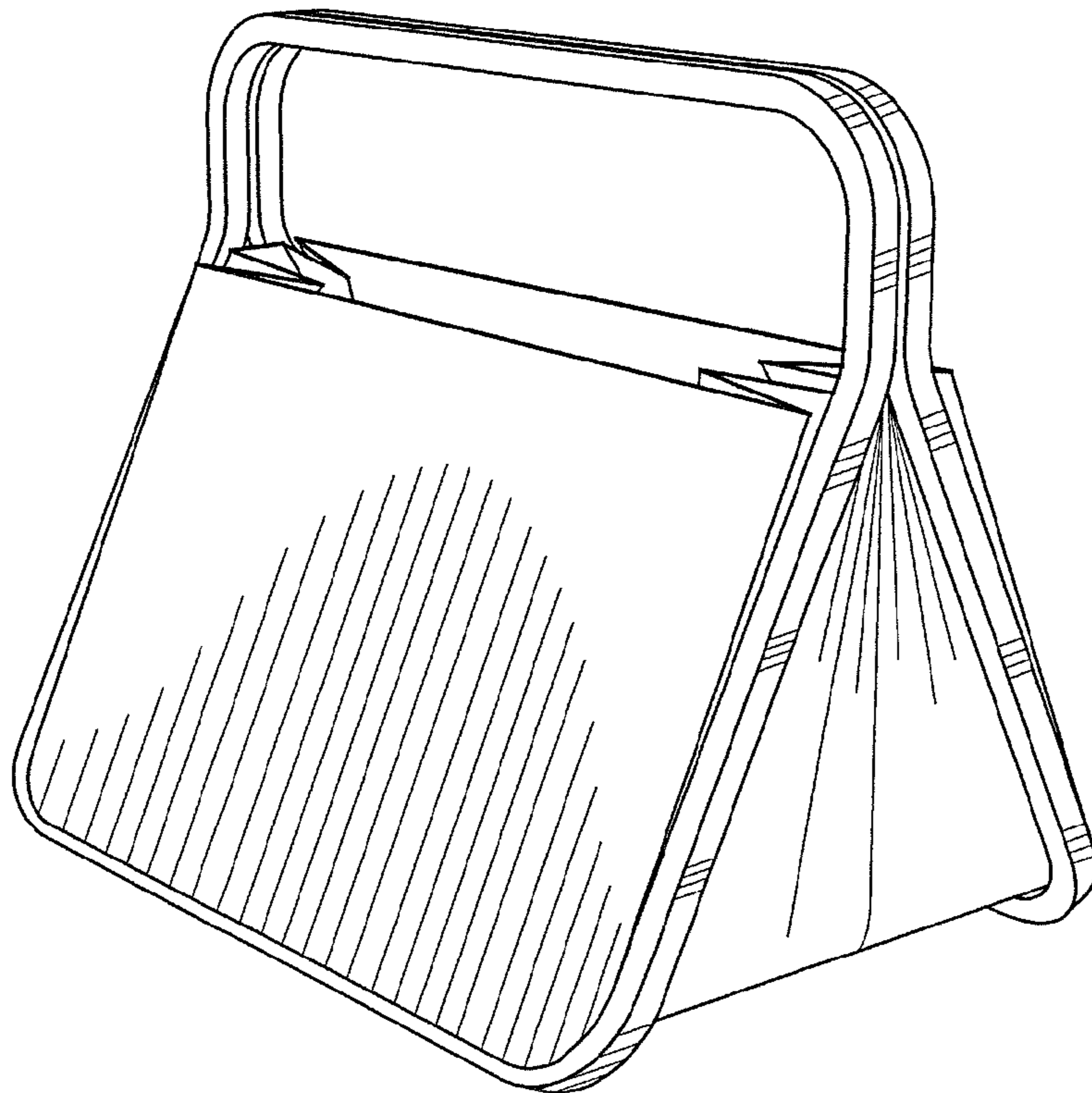


FIG. 8

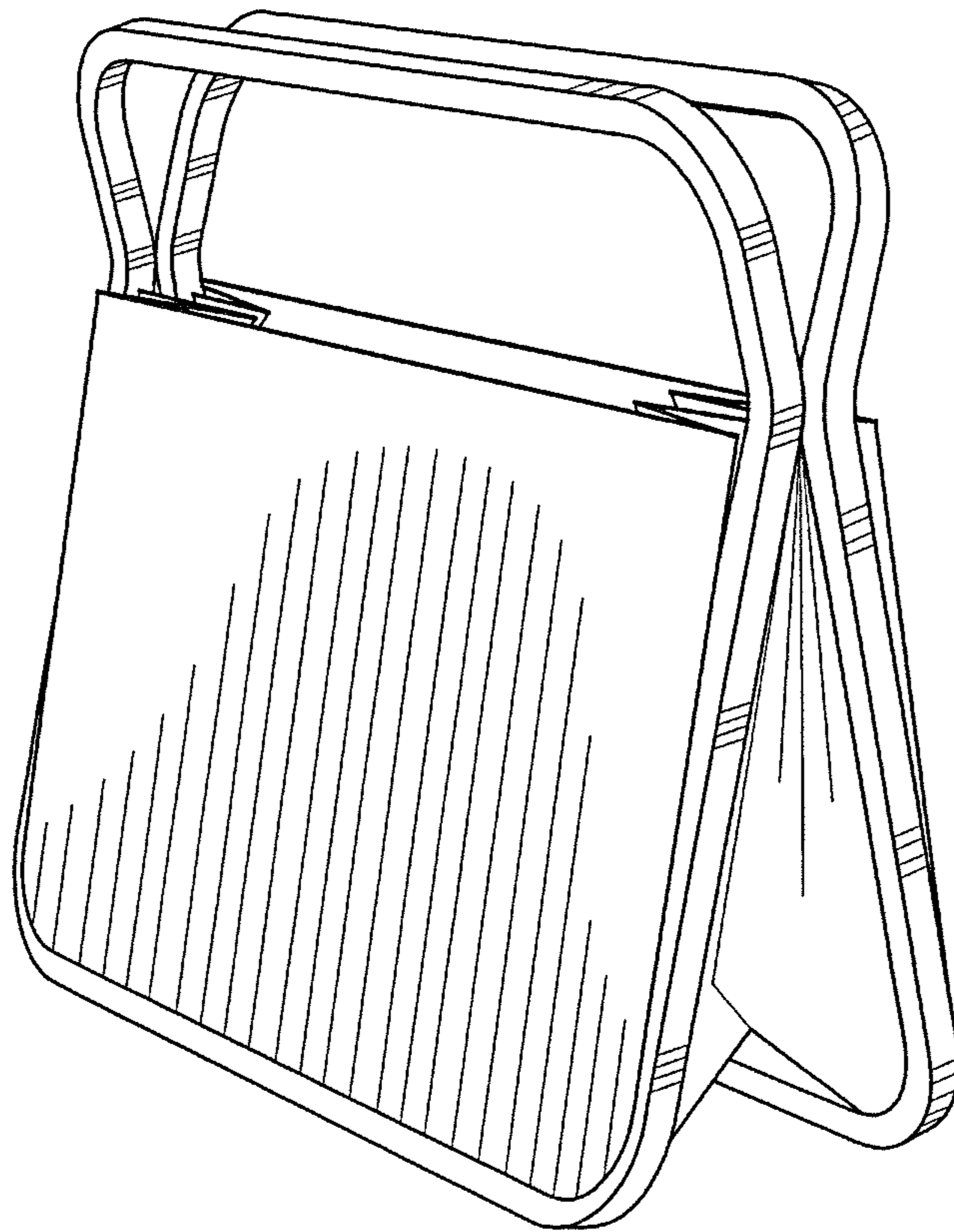


FIG. 9

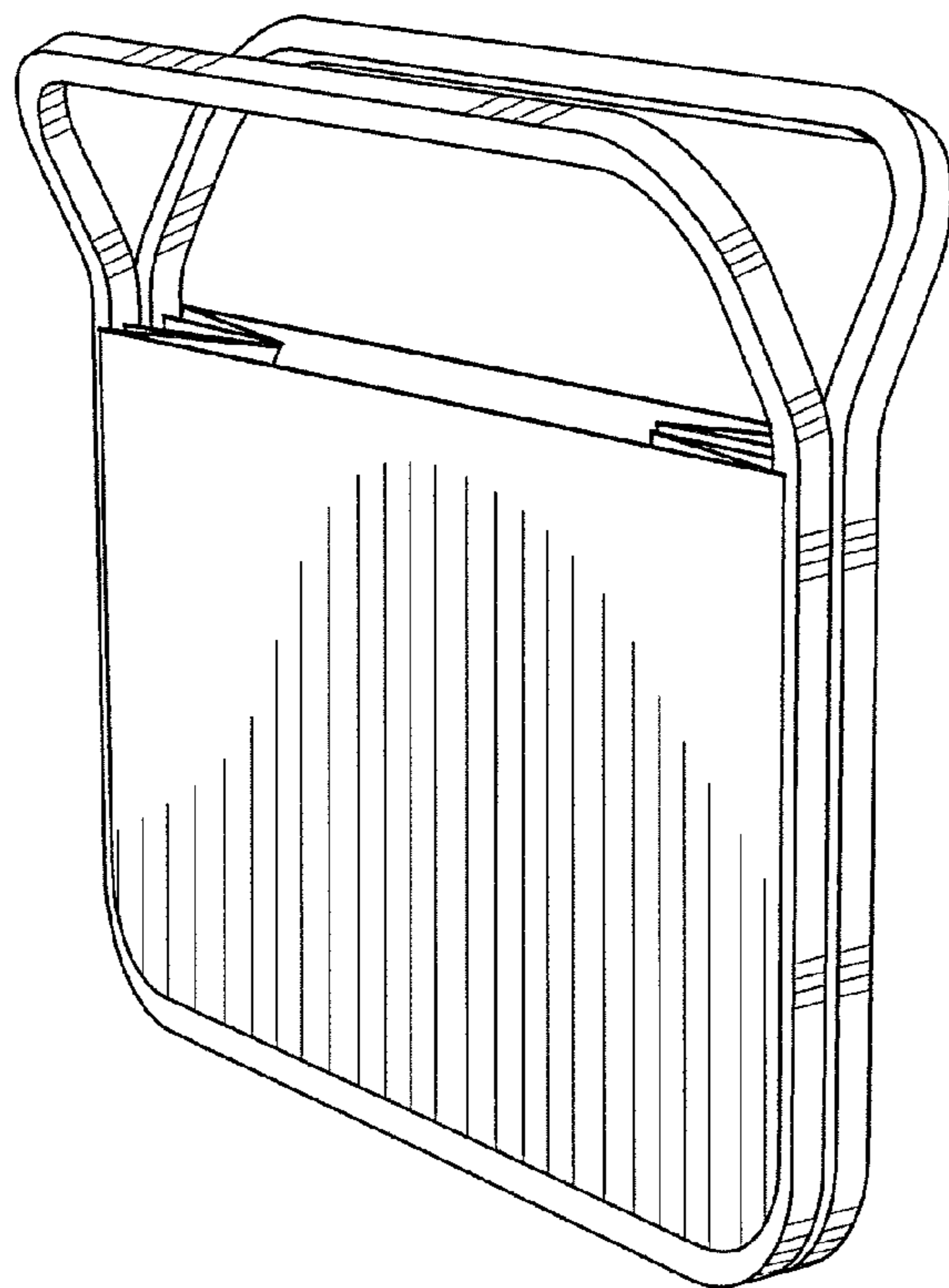


FIG. 10