



US00D716552S

(12) **United States Design Patent**  
**Theisen et al.**

(10) **Patent No.:** **US D716,552 S**  
(45) **Date of Patent:** **\*\* Nov. 4, 2014**

(54) **BIN**  
(75) Inventors: **Jennifer A. Theisen**, Crystal, MN (US);  
**Erin L. Zobel**, Minneapolis, MN (US)

(73) Assignee: **Target Brands, Inc.**, Minneapolis, MN (US)

(\*\*) Term: **14 Years**

(21) Appl. No.: **29/419,213**

(22) Filed: **Apr. 26, 2012**

(51) **LOC (10) Cl.** ..... **03-01**

(52) **U.S. Cl.**  
USPC ..... **D3/304**

(58) **Field of Classification Search**  
USPC ..... D3/304–315, 201, 203.1–203.3;  
D6/525, 672, 675; D19/75, 77, 86, 90,  
D19/92, 100; 206/203, 214, 215, 822,  
206/307.1; 229/100, 914, 913, 406  
See application file for complete search history.

(56) **References Cited**

**U.S. PATENT DOCUMENTS**

2,301,310	A	11/1942	Messer	
2,916,161	A *	12/1959	Schaefer	211/126.2
3,228,582	A	1/1966	Osberg	
3,330,406	A	7/1967	Taub	
3,370,775	A	2/1968	Link	
3,889,867	A	6/1975	Berg	
4,014,292	A *	3/1977	Coughlin et al.	119/168
4,049,114	A	9/1977	Danheisser	
4,116,330	A	9/1978	Ellis	
4,213,559	A	7/1980	Meyers	
4,403,727	A	9/1983	Grieve et al.	
D274,012	S *	5/1984	Williams	D3/304
D290,059	S *	5/1987	Kirchner	D3/313

4,828,121	A *	5/1989	Willcocks, Jr.	211/94.01
D301,927	S *	6/1989	Williams	D3/304
D309,059	S *	7/1990	Bledsoe	D12/425

(Continued)

**OTHER PUBLICATIONS**

Office Action from Canadian Patent Application No. 147022, mailed Dec. 11, 2013 (1 page).

(Continued)

*Primary Examiner* — Kelley Donnelly

(74) *Attorney, Agent, or Firm* — Leanne Taveggia Farrell; Westman, Champlin & Koehler, P.A.

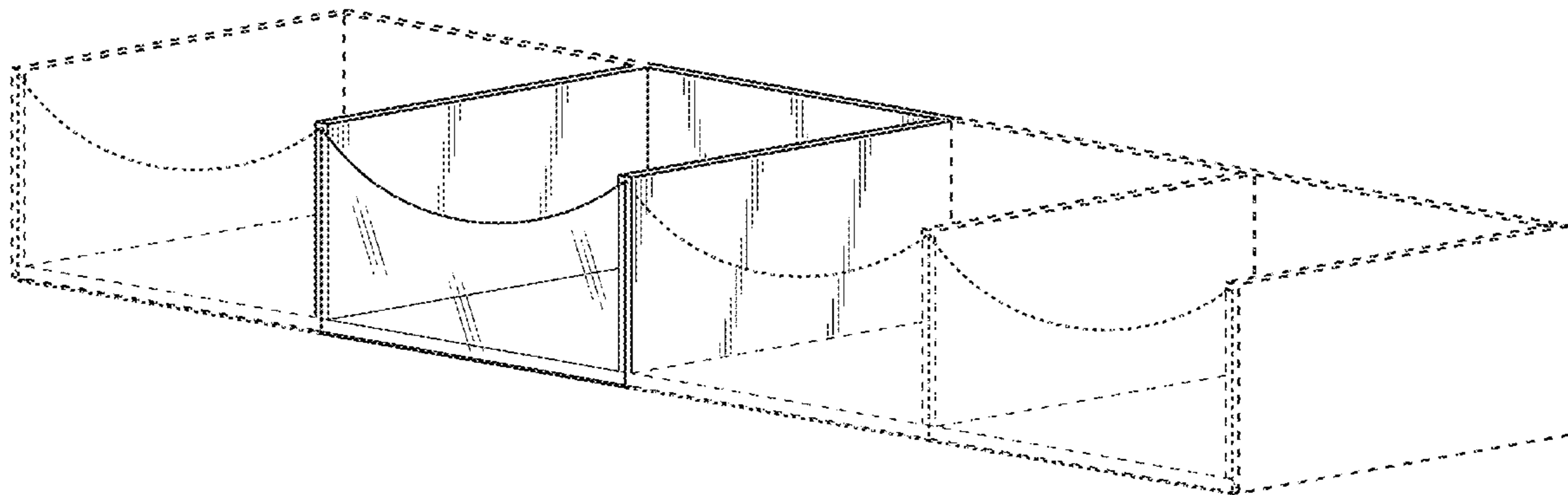
(57) **CLAIM**

The ornamental design for a bin, as shown and described.

**DESCRIPTION**

FIG. 1 is a perspective view of the bin;  
FIG. 2 is a top view of the bin illustrated in FIG. 1;  
FIG. 3 is a bottom view of the bin illustrated in FIG. 1;  
FIG. 4 is a right side view of the bin illustrated in FIG. 1, the opposite side being a mirror image;  
FIG. 5 is a front view of the bin illustrated in FIG. 1;  
FIG. 6 is a back view of the bin illustrated in FIG. 1;  
FIG. 7 is a perspective view of the bin with some broken line material removed;  
FIG. 8 is a top view of the bin illustrated in FIG. 7;  
FIG. 9 is a bottom view of the bin illustrated in FIG. 7;  
FIG. 10 is a right side view of the bin illustrated in FIG. 7, the opposite side being a mirror image;  
FIG. 11 is a front view of the bin illustrated in FIG. 7; and,  
FIG. 12 is a back view of the bin illustrated in FIG. 7.  
The broken lines are included for purposes of illustration and form no part of the claimed design.

**1 Claim, 3 Drawing Sheets**



(56)

References Cited

U.S. PATENT DOCUMENTS

5,582,305 A 12/1996 Howell, Sr. et al.  
D380,880 S \* 7/1997 Reid ..... D30/161  
D382,405 S \* 8/1997 Ohayon ..... D3/313  
D425,703 S \* 5/2000 Ohayon ..... D3/304  
D436,728 S \* 1/2001 Harding ..... D3/304  
D473,377 S \* 4/2003 Chandaria ..... D3/304  
6,932,265 B2 8/2005 Sax et al.  
6,948,617 B2 9/2005 Kanter et al.  
D538,539 S \* 3/2007 Richardson et al. .... D3/314  
7,374,047 B2 5/2008 Bryson et al.  
7,438,186 B2 10/2008 Markson et al.  
D583,562 S \* 12/2008 Ghiorghie ..... D3/304  
D594,229 S \* 6/2009 Barkdoll et al. .... D3/304  
D601,382 S \* 10/2009 Ishida ..... D7/538

D604,769 S \* 11/2009 Chen et al. .... D19/90  
7,980,399 B2 7/2011 Colin  
D653,601 S \* 2/2012 Stroud et al. .... D12/416  
D661,919 S \* 6/2012 Hester ..... D6/407  
D690,514 S \* 10/2013 Shamp ..... D3/304  
D691,335 S \* 10/2013 Zettlemoyer ..... D30/161  
D702,012 S \* 4/2014 Kyle ..... D34/27  
D712,477 S \* 9/2014 Stravitz ..... D19/90  
2003/0173322 A1 9/2003 Rushing  
2005/0241971 A1 11/2005 Zou et al.  
2010/0051568 A1 3/2010 Kalwat et al.

OTHER PUBLICATIONS

Office Action from Canadian Patent Application No. 147,022, mailed  
Jan. 31, 2013 (1 page).

\* cited by examiner

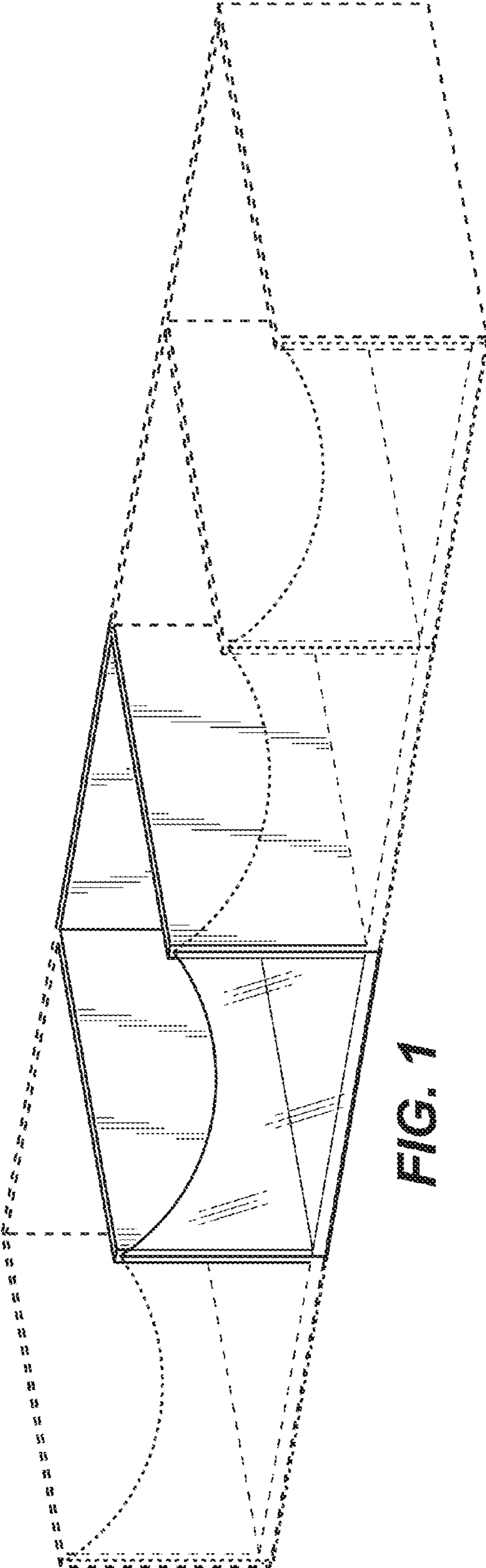


FIG. 1

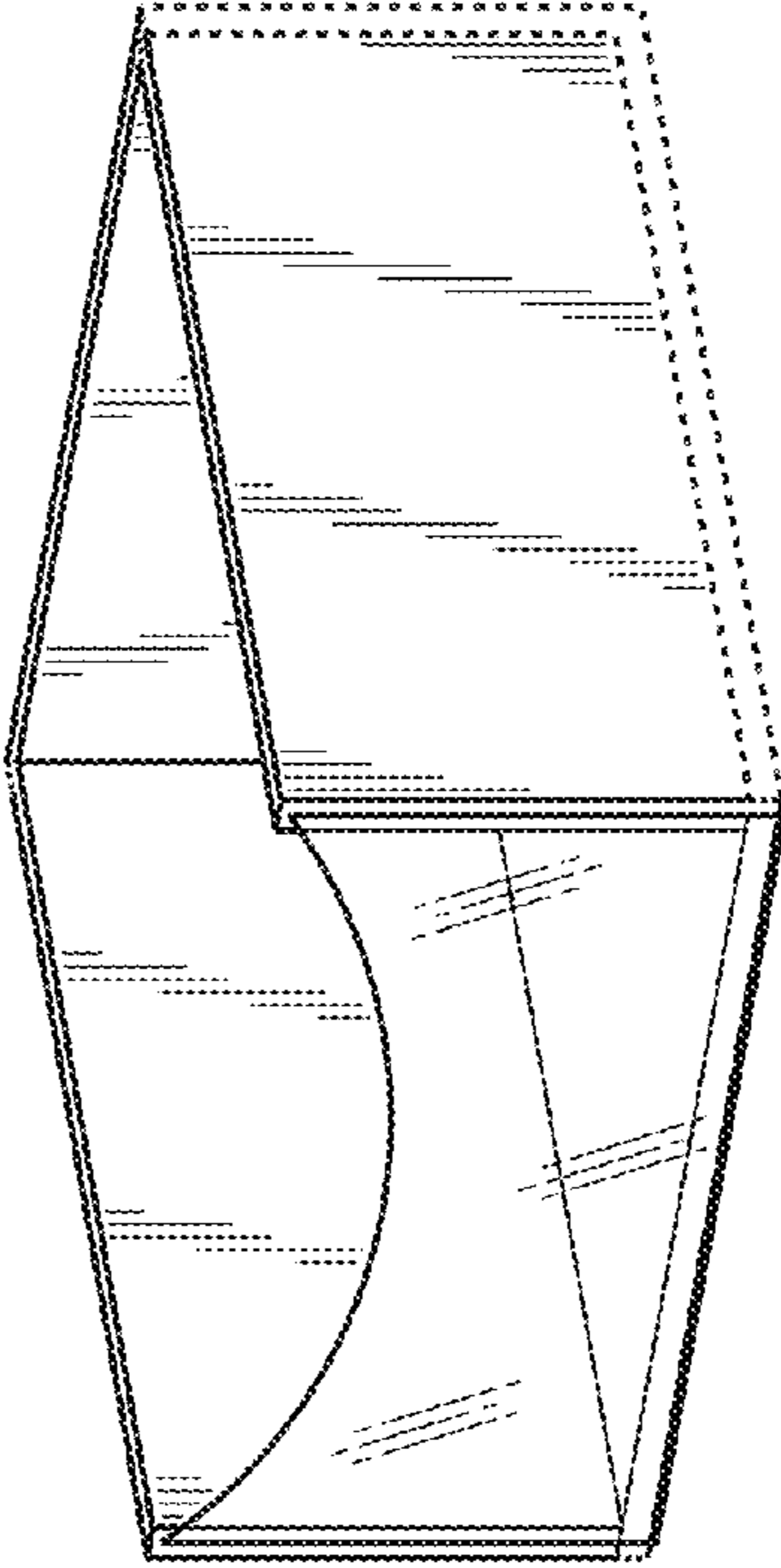
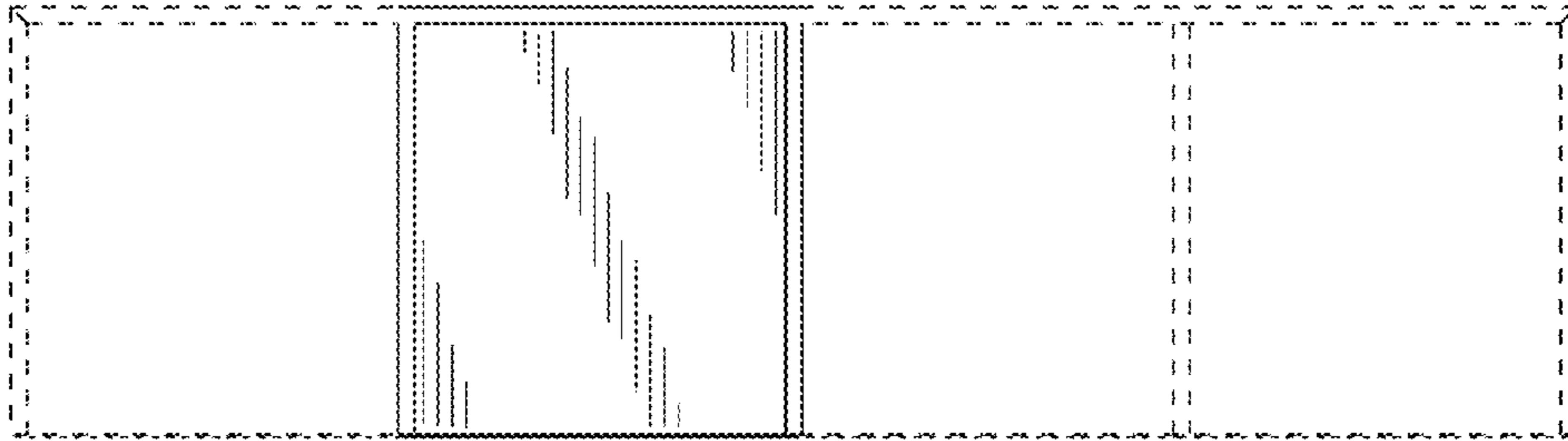
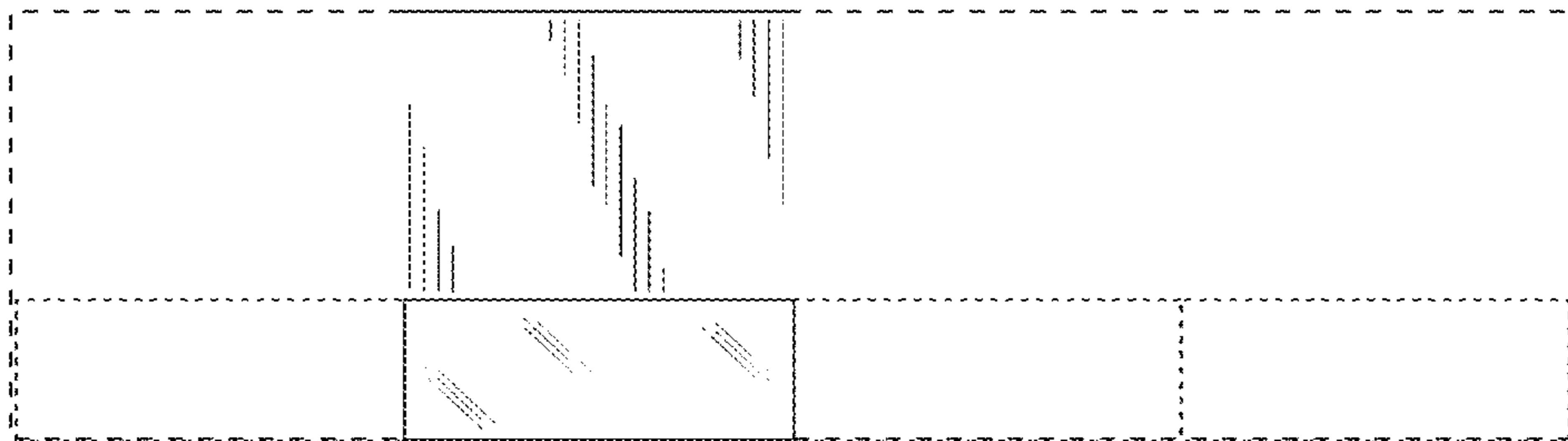


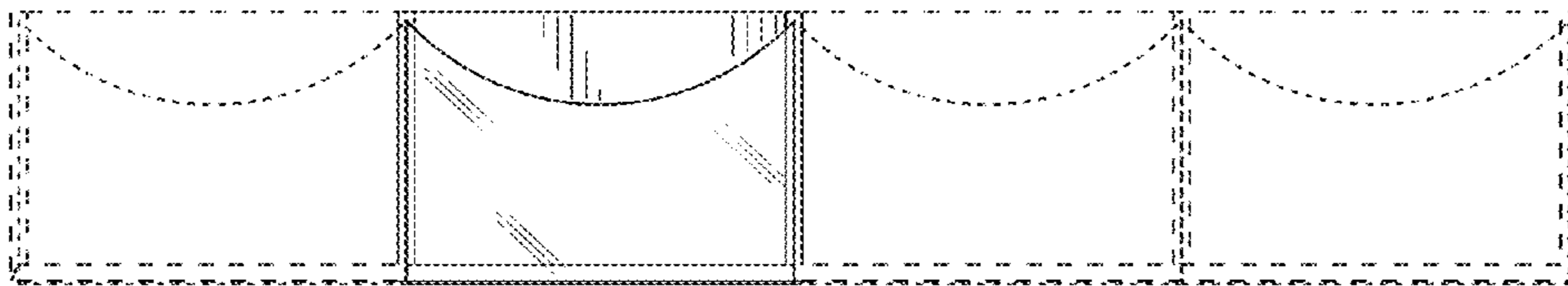
FIG. 7



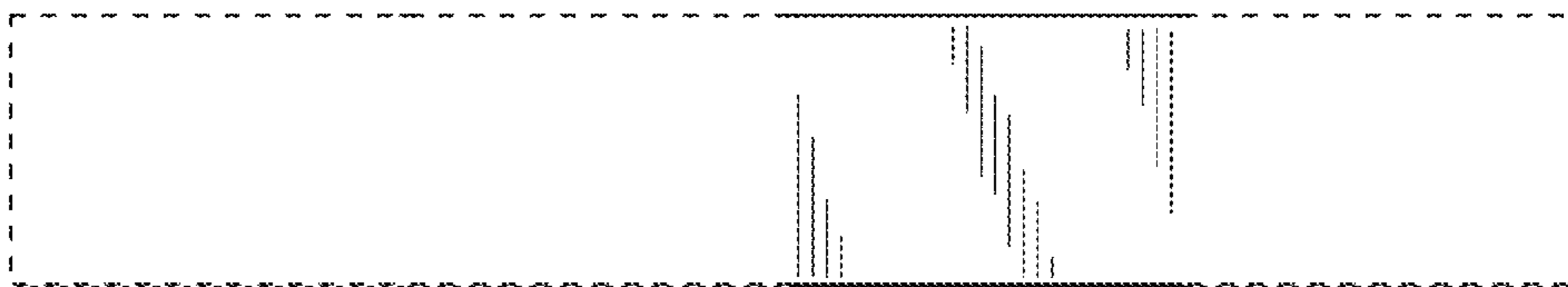
**FIG. 2**



**FIG. 3**

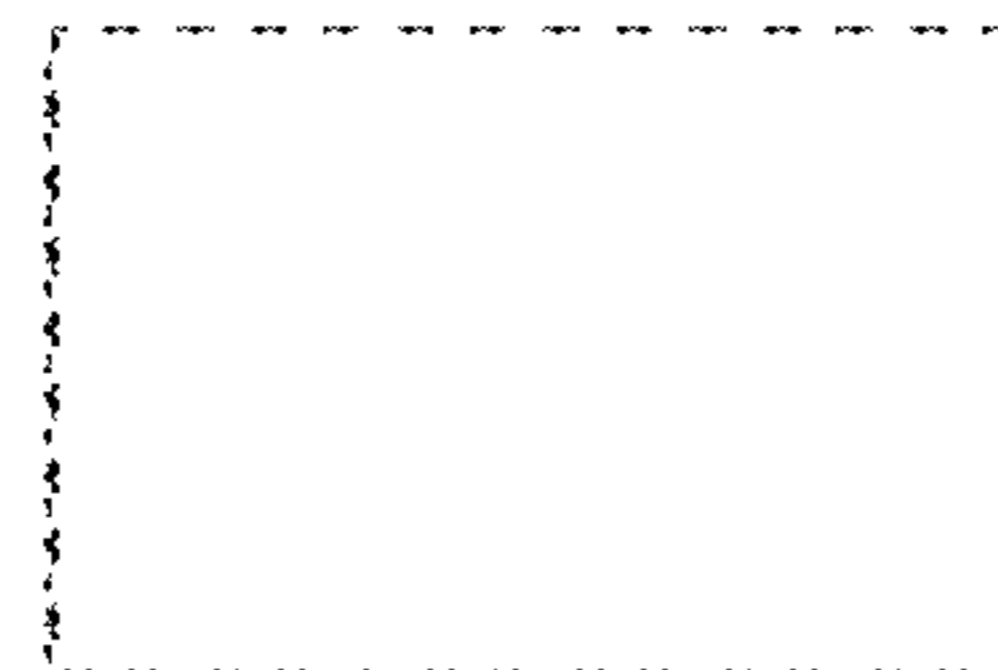


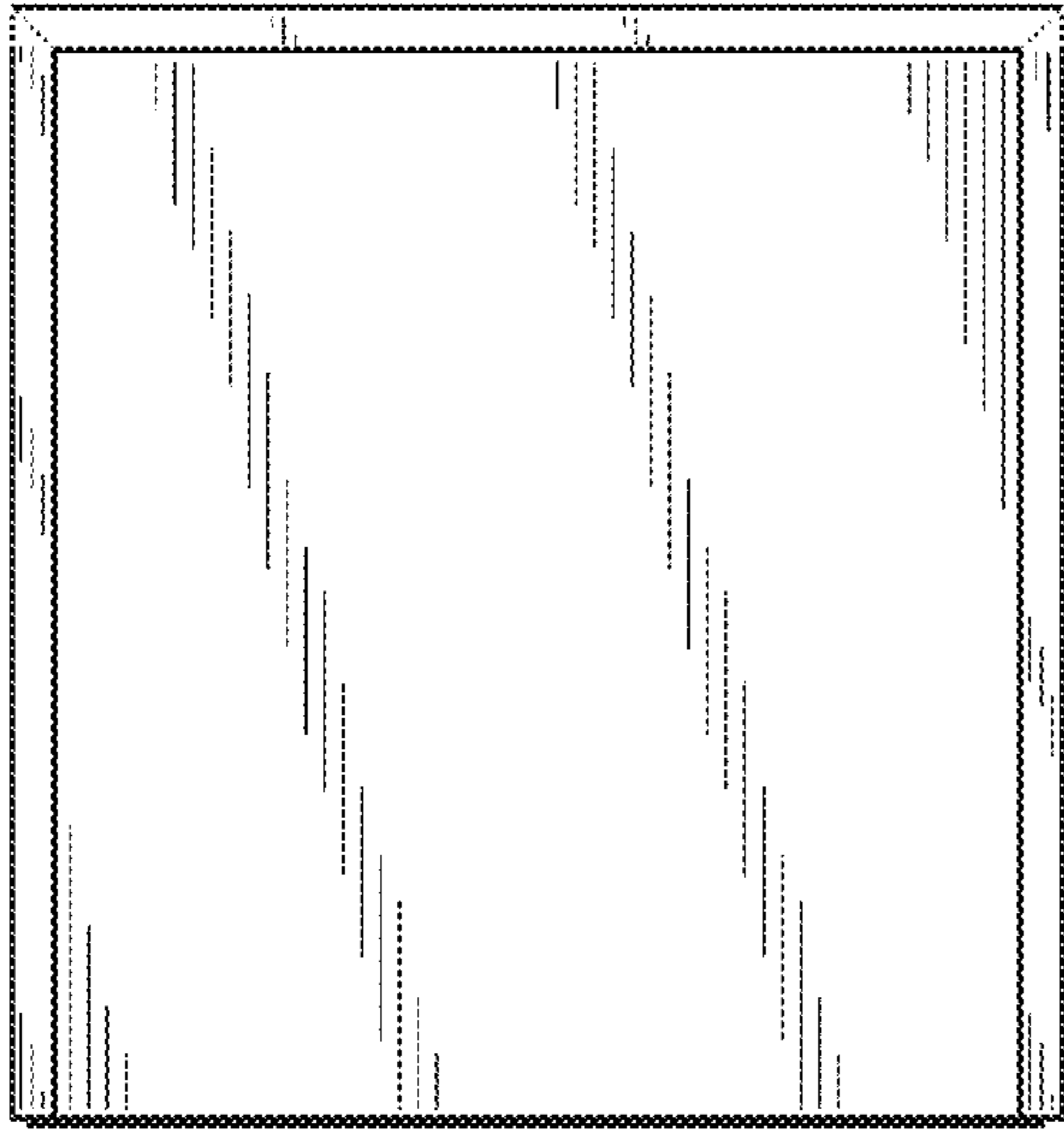
**FIG. 5**



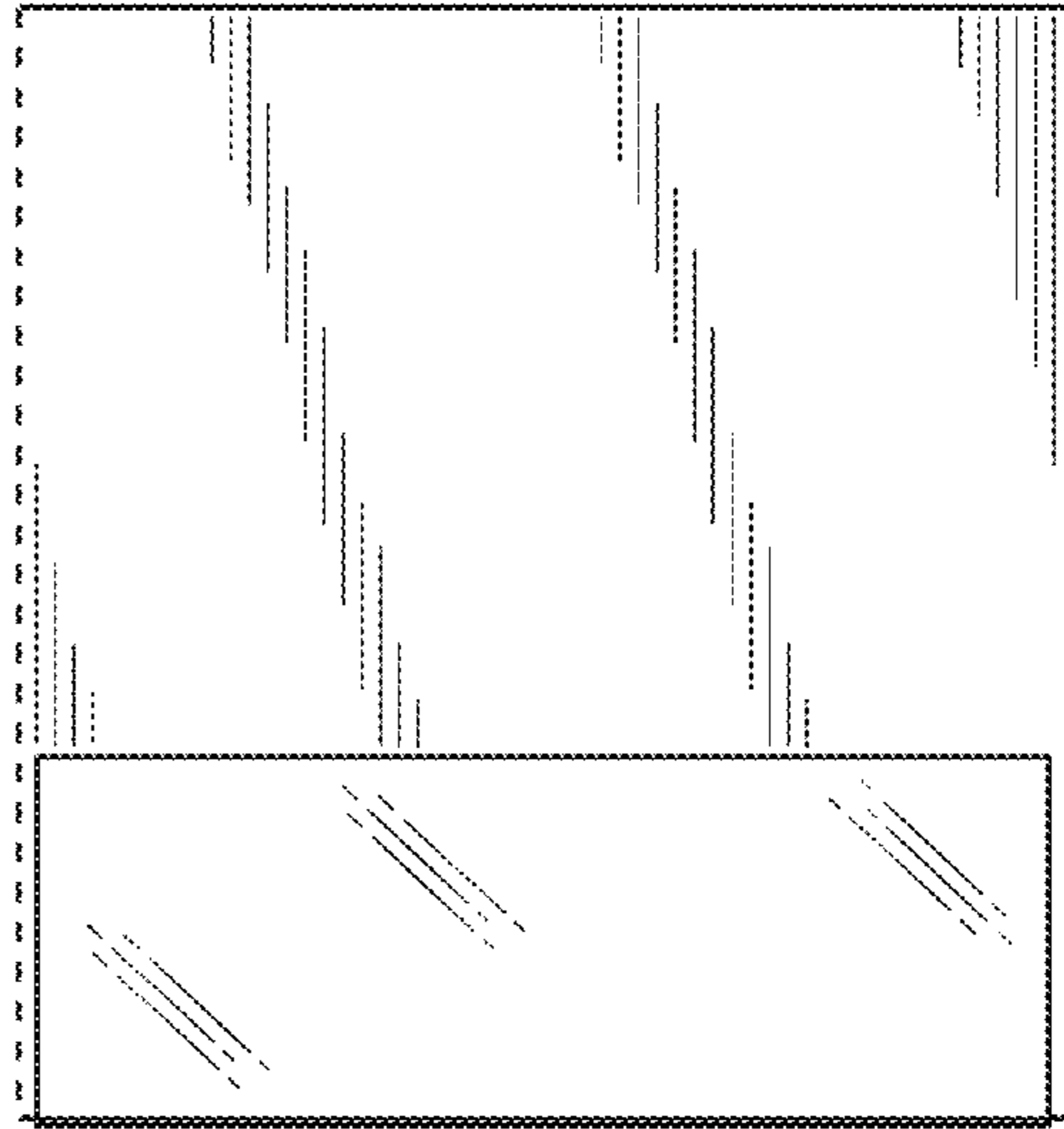
**FIG. 6**

**FIG. 4**

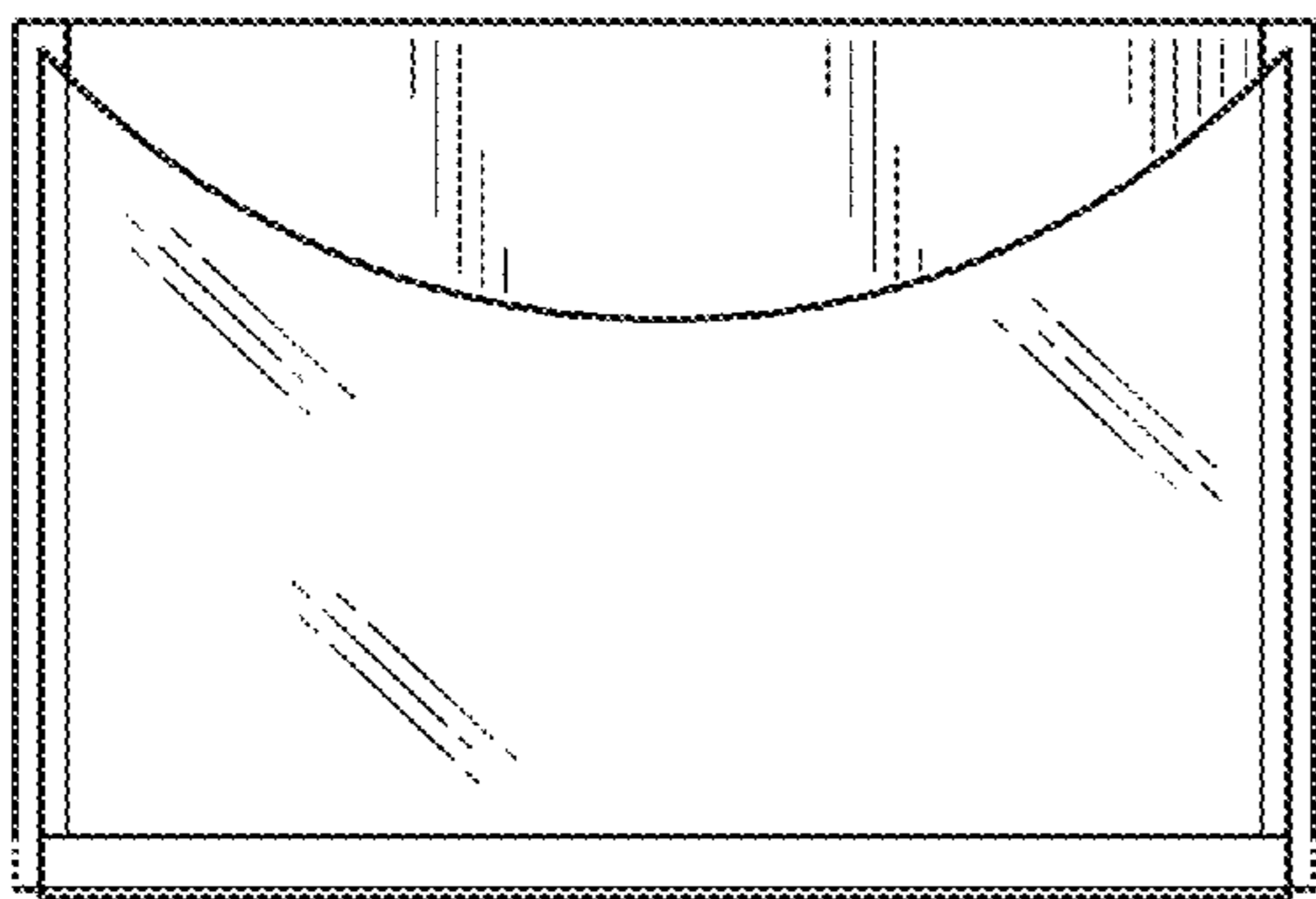




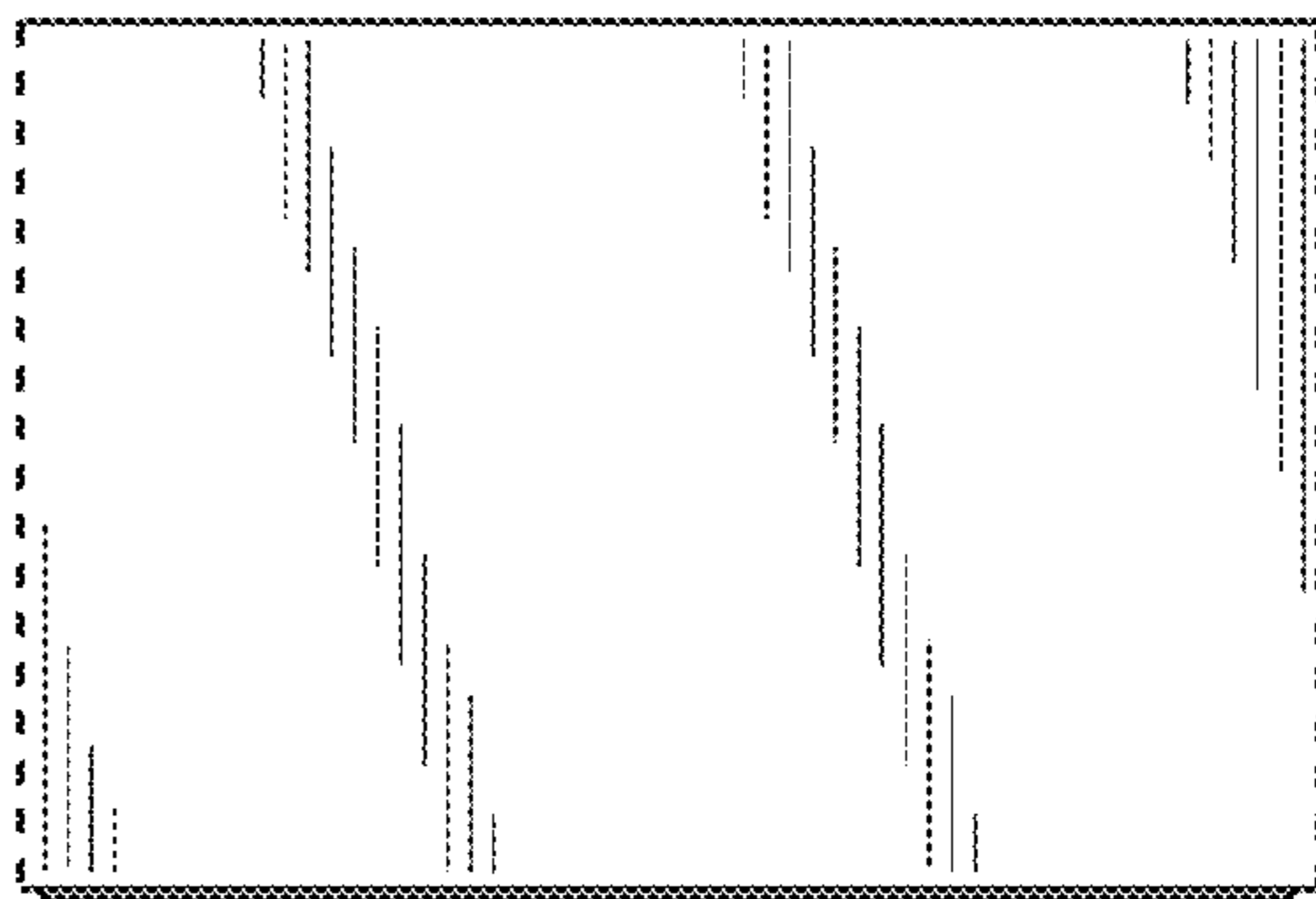
**FIG. 8**



**FIG. 9**



**FIG. 11**



**FIG. 12**

**FIG. 10**

