



US00D716550S

(12) **United States Design Patent**  
**Diamandis et al.**

(10) **Patent No.:** **US D716,550 S**  
(45) **Date of Patent:** **\*\* Nov. 4, 2014**

- (54) **STORAGE BAG**
- (71) Applicants: **Christian Diamandis**, Canton, MA  
(US); **Jill Diamandis**, Canton, MA (US)
- (72) Inventors: **Christian Diamandis**, Canton, MA  
(US); **Jill Diamandis**, Canton, MA (US)
- (\*\*) Term: **14 Years**
- (21) Appl. No.: **29/469,966**
- (22) Filed: **Oct. 16, 2013**
- (51) **LOC (10) Cl.** ..... **03-01**
- (52) **U.S. Cl.**  
USPC ..... **D3/295**
- (58) **Field of Classification Search**  
CPC ..... A45C 13/02  
USPC ..... 190/1, 2, 3, 12 R-12 A, 109, 110, 111,  
190/113, 114, 115, 116; 206/278, 541, 542,  
206/545, 553, 579; D3/273, 274, 276, 283,  
D3/284, 285, 294, 295, 301  
See application file for complete search history.

D380,611	S	*	7/1997	Mancusi	.....	D3/284
D383,605	S	*	9/1997	Usuriello	.....	D3/284
5,662,219	A	*	9/1997	Tschudy et al.	.....	206/317
5,680,914	A		10/1997	Reiser		
5,839,553	A	*	11/1998	Dorsam	.....	190/109
6,244,400	B1		6/2001	Bowers		
6,283,183	B1		9/2001	Cooper		
D510,188	S	*	10/2005	Cunningham	.....	D3/287
D526,123	S	*	8/2006	Broussard	.....	D3/287
7,210,936	B2		5/2007	Moeller et al.		
7,338,210	B1	*	3/2008	Fultz et al.	.....	383/16
D588,799	S	*	3/2009	Garland et al.	.....	D3/205
D627,166	S	*	11/2010	Fahim	.....	D3/287
D666,818	S	*	9/2012	Mbi	.....	D3/284
2002/0114539	A1		8/2002	Strevey et al.		

\* cited by examiner

*Primary Examiner* — Adir Aronovich  
*Assistant Examiner* — Ethiene Salgado-Rodriguez  
(74) *Attorney, Agent, or Firm* — Lambert & Associates;  
Gary E. Lambert; David J. Connaughton, Jr.

(57) **CLAIM**  
The ornamental design for a storage bag, as shown and described.

(56) **References Cited**

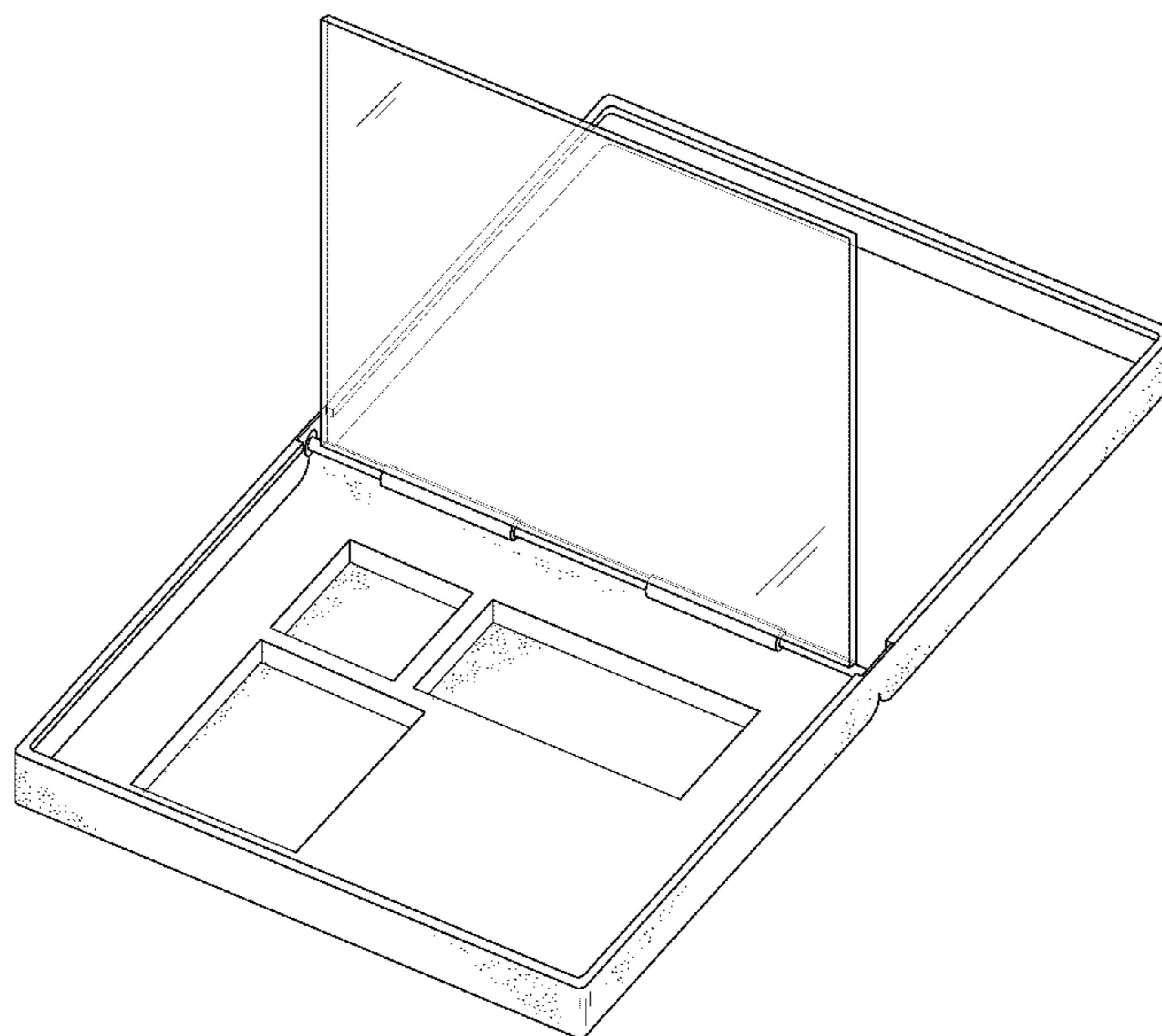
U.S. PATENT DOCUMENTS

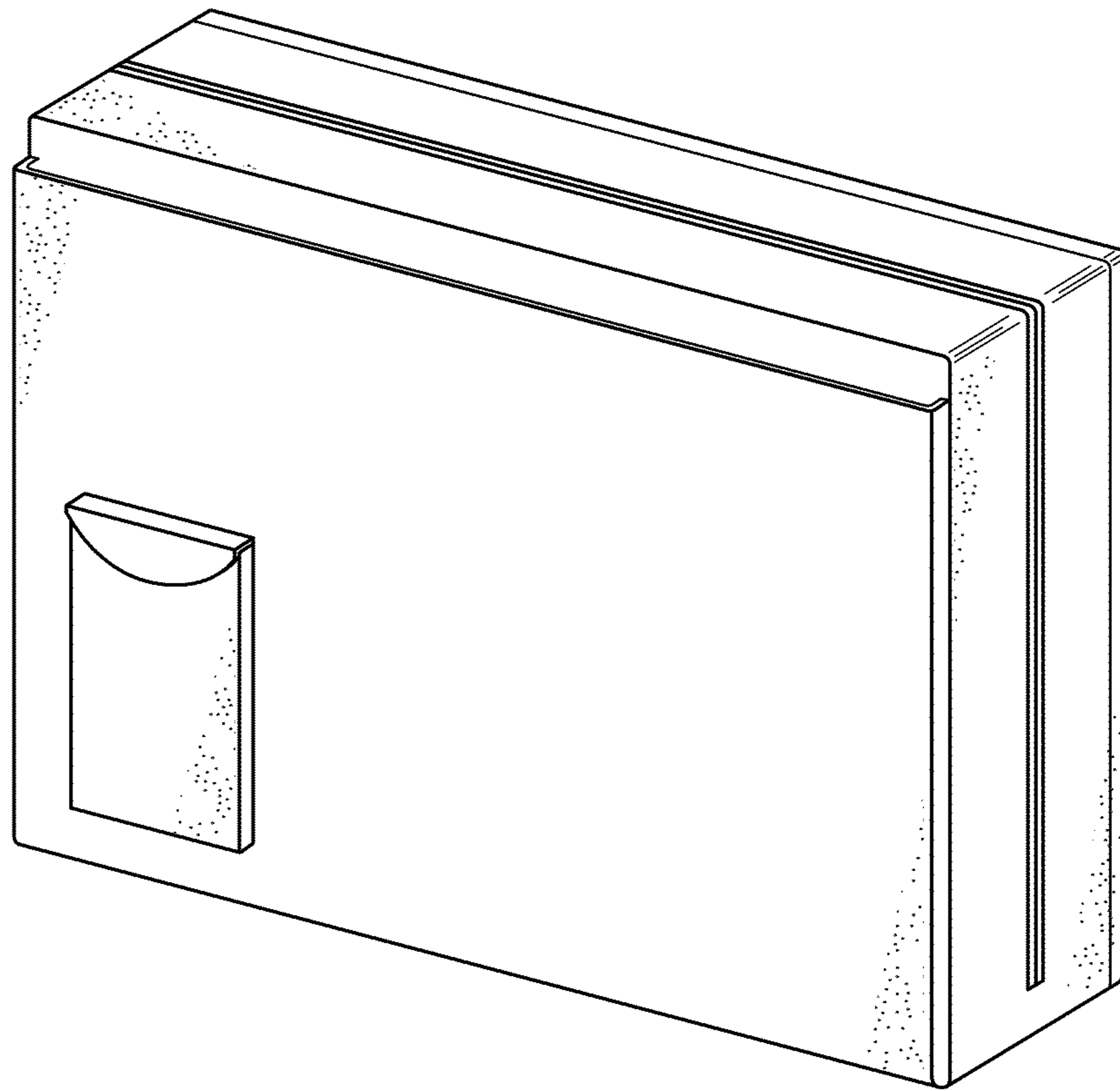
853,404	A	*	5/1907	Gilbert	.....	190/110
1,610,146	A	*	12/1926	Panzer	.....	190/109
2,556,066	A	*	6/1951	Cline	.....	190/111
2,718,943	A	*	9/1955	Braverman	.....	190/107
2,878,586	A		3/1959	Ohlsson		
2,941,314	A		6/1960	Schweiger		
D189,143	S	*	11/1960	Huebner	.....	D14/259
3,291,267	A	*	12/1966	Pelavin	.....	190/111
3,904,003	A		9/1975	Margerum		
4,106,597	A	*	8/1978	Shook et al.	.....	190/110
D337,887	S	*	8/1993	Feinbloom	.....	D3/284
D341,487	S	*	11/1993	Glos, II	.....	D3/284
D376,690	S	*	12/1996	Lockerby	.....	D3/284
D379,267	S	*	5/1997	Roegner	.....	D3/285

**DESCRIPTION**

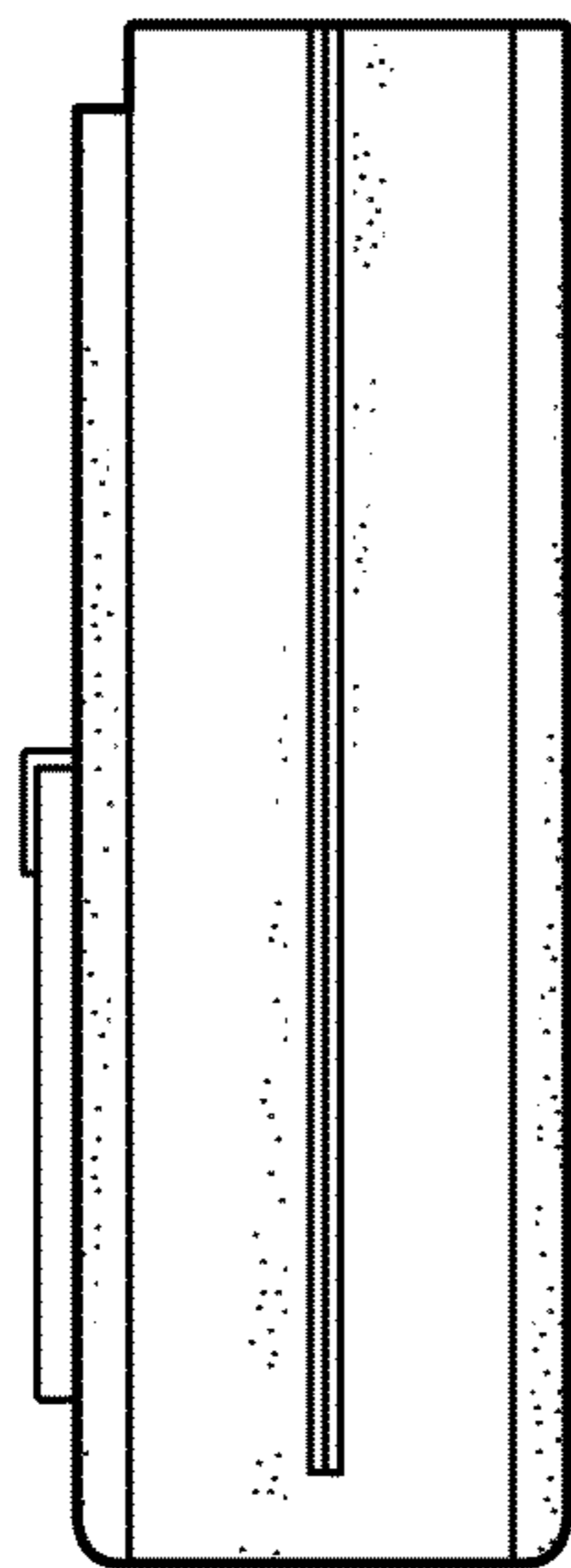
FIG. 1 is a front perspective front view of a storage bag in a closed position, showing our new design;  
FIG. 2 is a right side elevational view thereof;  
FIG. 3 is a left side elevational view thereof;  
FIG. 4 is a front elevational view thereof;  
FIG. 5 is a rear elevational view thereof;  
FIG. 6 is a bottom plan view thereof;  
FIG. 7 is a top plan view thereof;  
FIG. 8 is top plan view thereof in an open position; and,  
FIG. 9 is a top perspective view thereof, in an alternate open position.

**1 Claim, 4 Drawing Sheets**

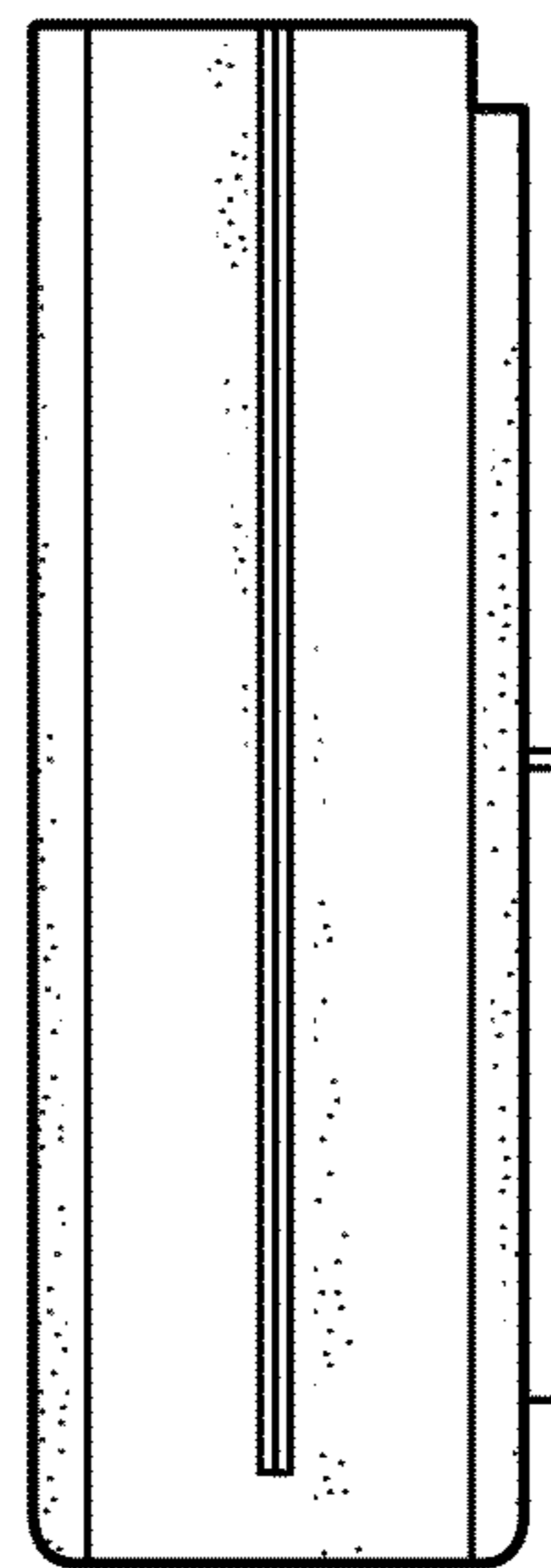




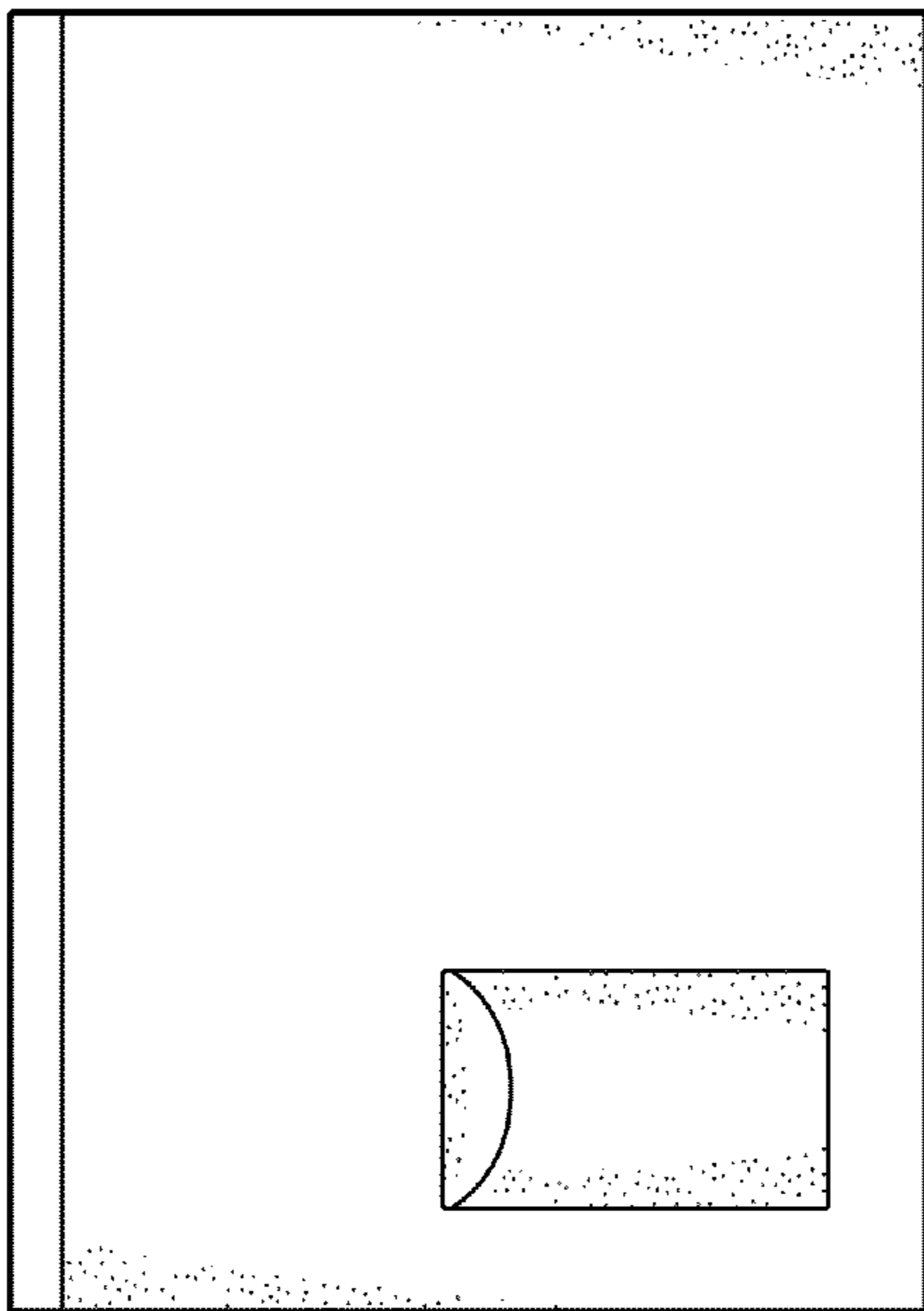
*Fig. 1*



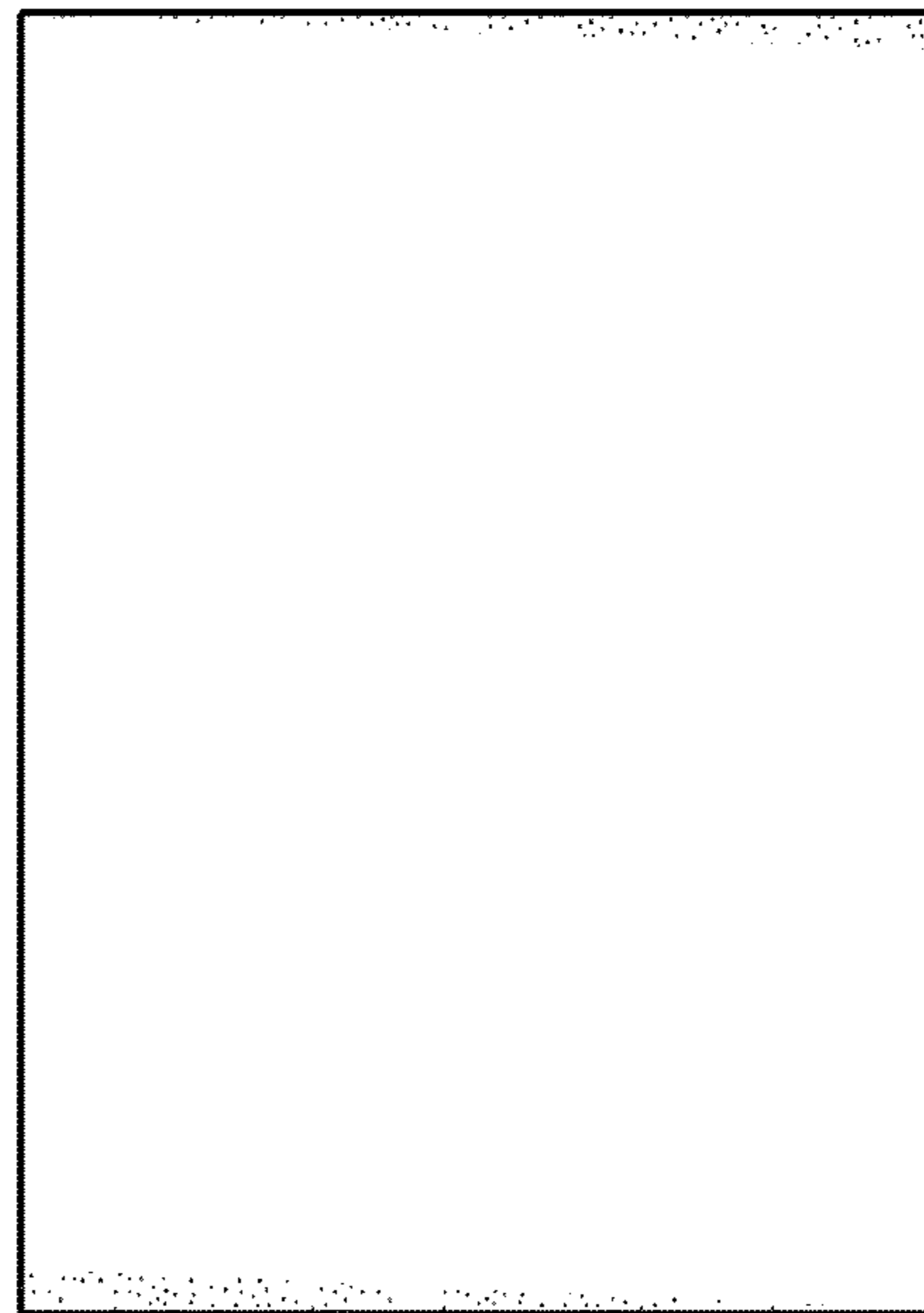
*Fig. 2*



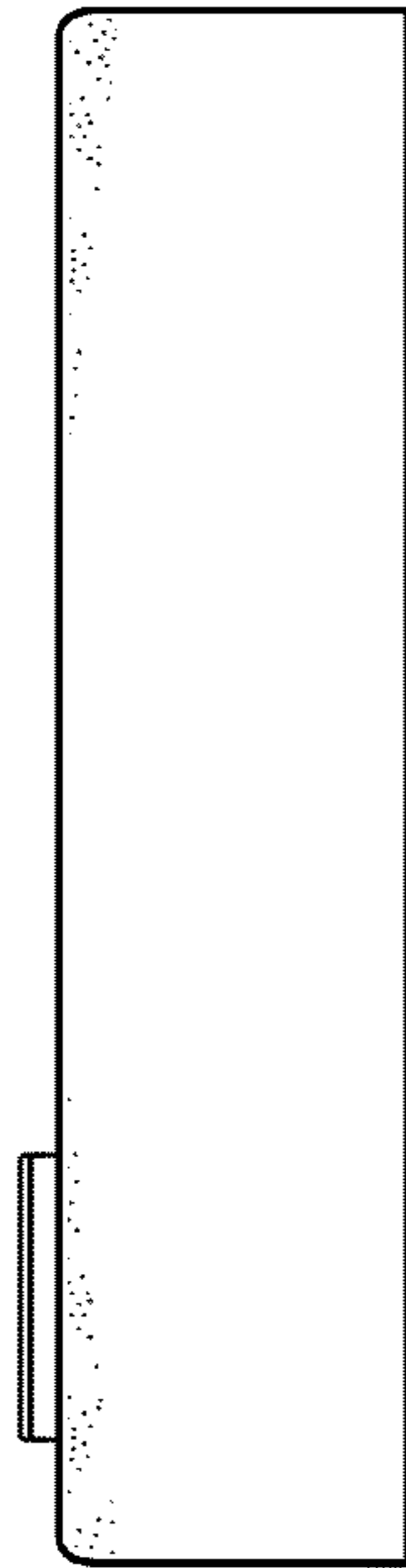
*Fig. 3*



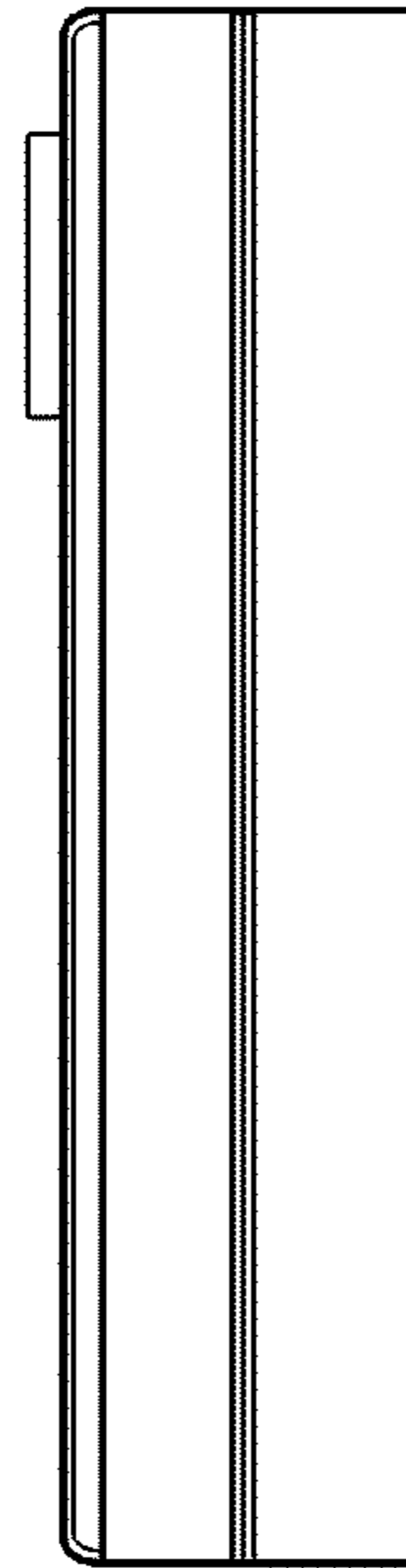
*Fig. 4*



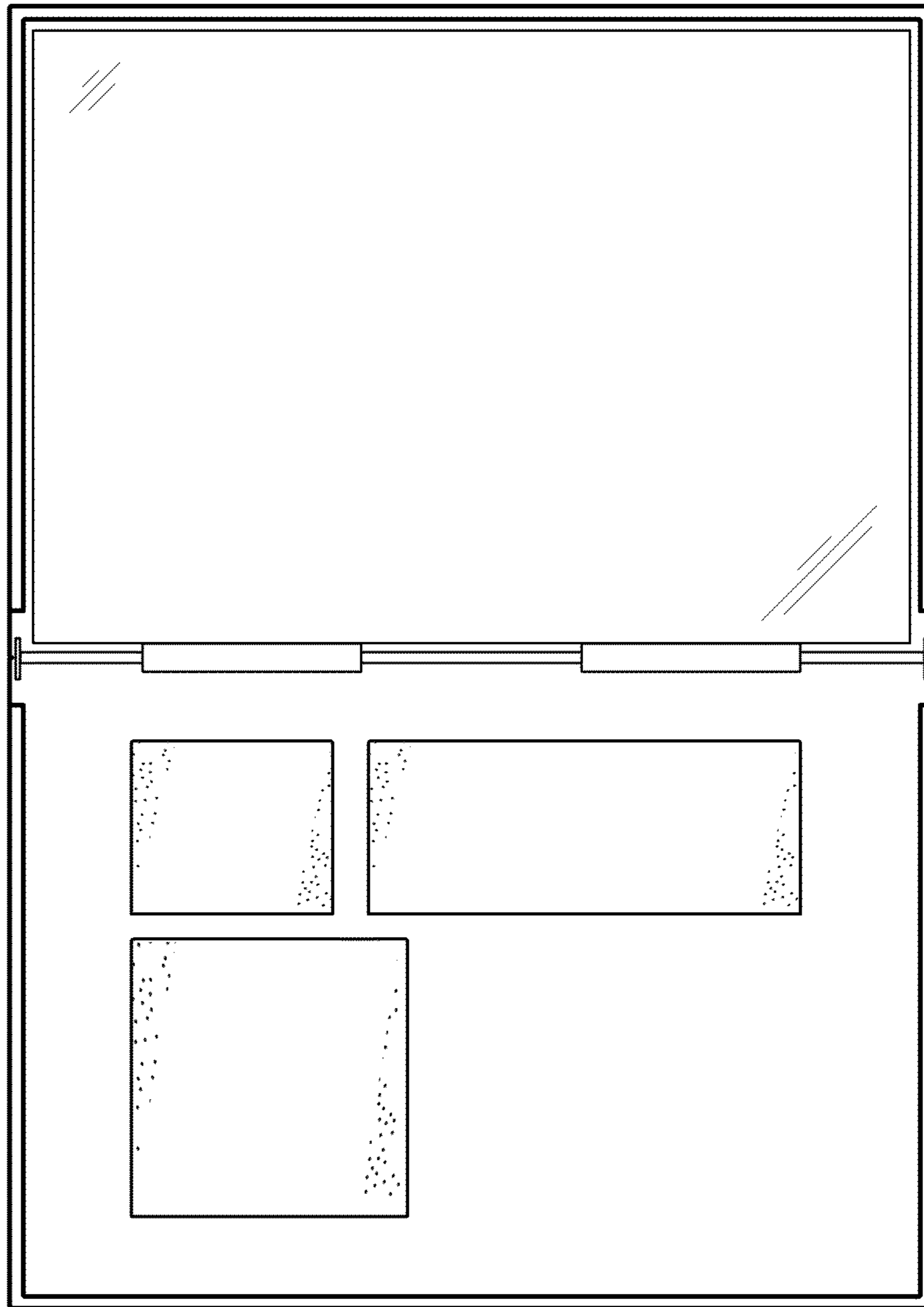
*Fig. 5*



*Fig. 6*



*Fig. 7*



*Fig. 8*

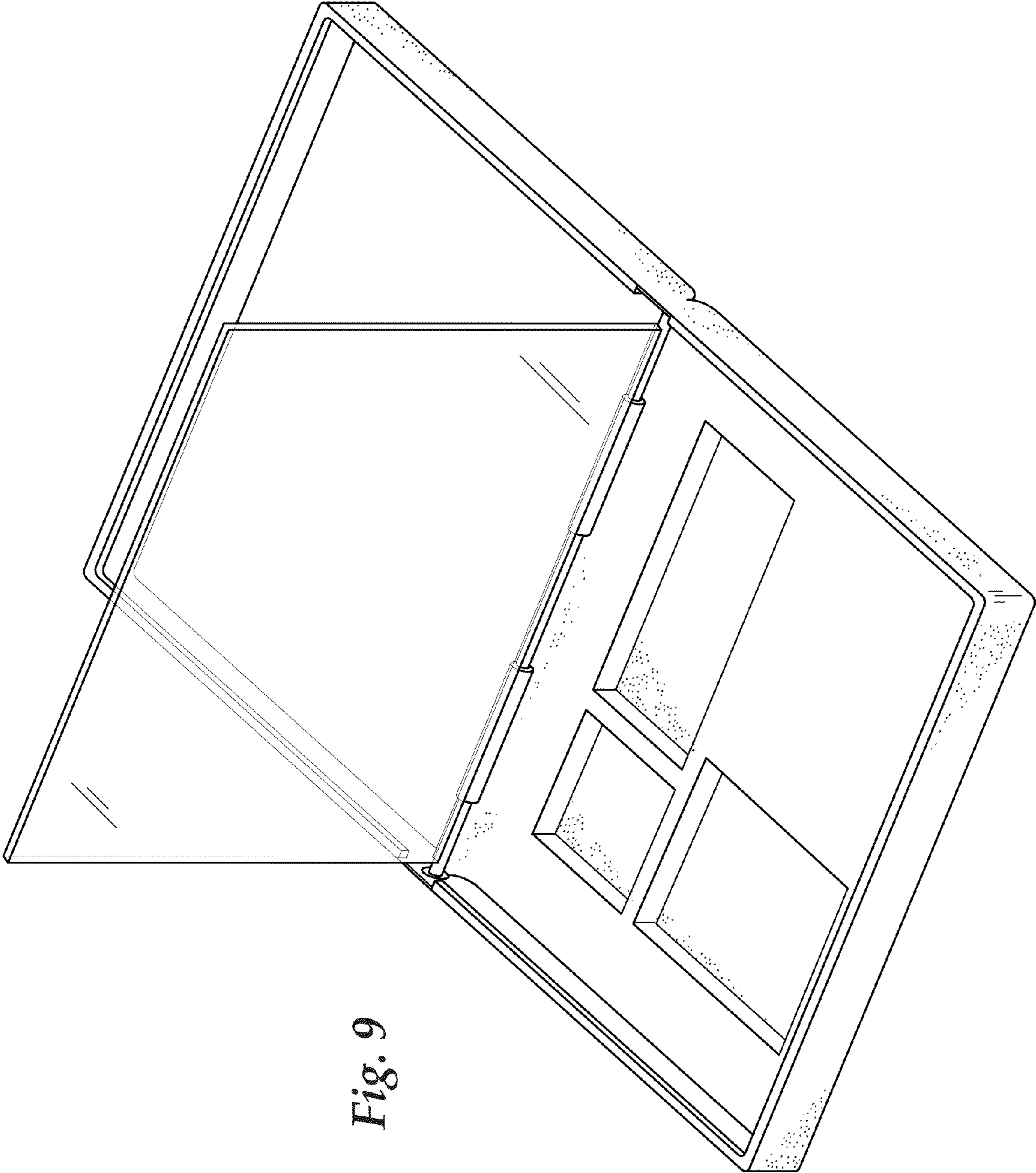


Fig. 9