



US00D716549S

(12) **United States Design Patent**
Porter

(10) **Patent No.:** **US D716,549 S**

(45) **Date of Patent:** **** Nov. 4, 2014**

(54) **EYEGLASSES CASE**

(71) Applicant: **VisOptical, LLC**, Fenton, MO (US)

(72) Inventor: **David R. Porter**, St. Louis, MO (US)

(73) Assignee: **VisOptical, LLC**, Fenton, MO (US)

(**) Term: **14 Years**

(21) Appl. No.: **29/464,905**

(22) Filed: **Aug. 22, 2013**

(51) **LOC (10) Cl.** **03-01**

(52) **U.S. Cl.**
USPC **D3/266**

(58) **Field of Classification Search**
USPC D3/218, 219, 215, 224, 226, 263–266,
D3/230, 233; 206/5, 5.1, 6; 248/902;
224/908

See application file for complete search history.

(56) **References Cited**

U.S. PATENT DOCUMENTS

D25,638 S *	6/1896	Casey et al.	D3/265
D27,622 S *	9/1897	Zoerb	D3/265
D49,217 S *	6/1916	King	D3/265
D155,480 S *	10/1949	Castelli	D3/265

D316,932 S *	5/1991	Escher, Jr.	D3/265
D382,708 S *	8/1997	Canning	D3/265
D417,541 S *	12/1999	Conway	D3/263
D472,377 S *	4/2003	Tabacchi	D3/265
D544,712 S *	6/2007	Au	D3/265
D547,548 S *	7/2007	Au	D3/265
D552,347 S *	10/2007	Kim	D3/265
D674,181 S *	1/2013	Faulkner et al.	D3/203.1
D689,618 S *	9/2013	Valderrama et al.	D24/194

* cited by examiner

Primary Examiner — Stella Reid

Assistant Examiner — Holly E Thurman

(74) *Attorney, Agent, or Firm* — Thompson Coburn LLP

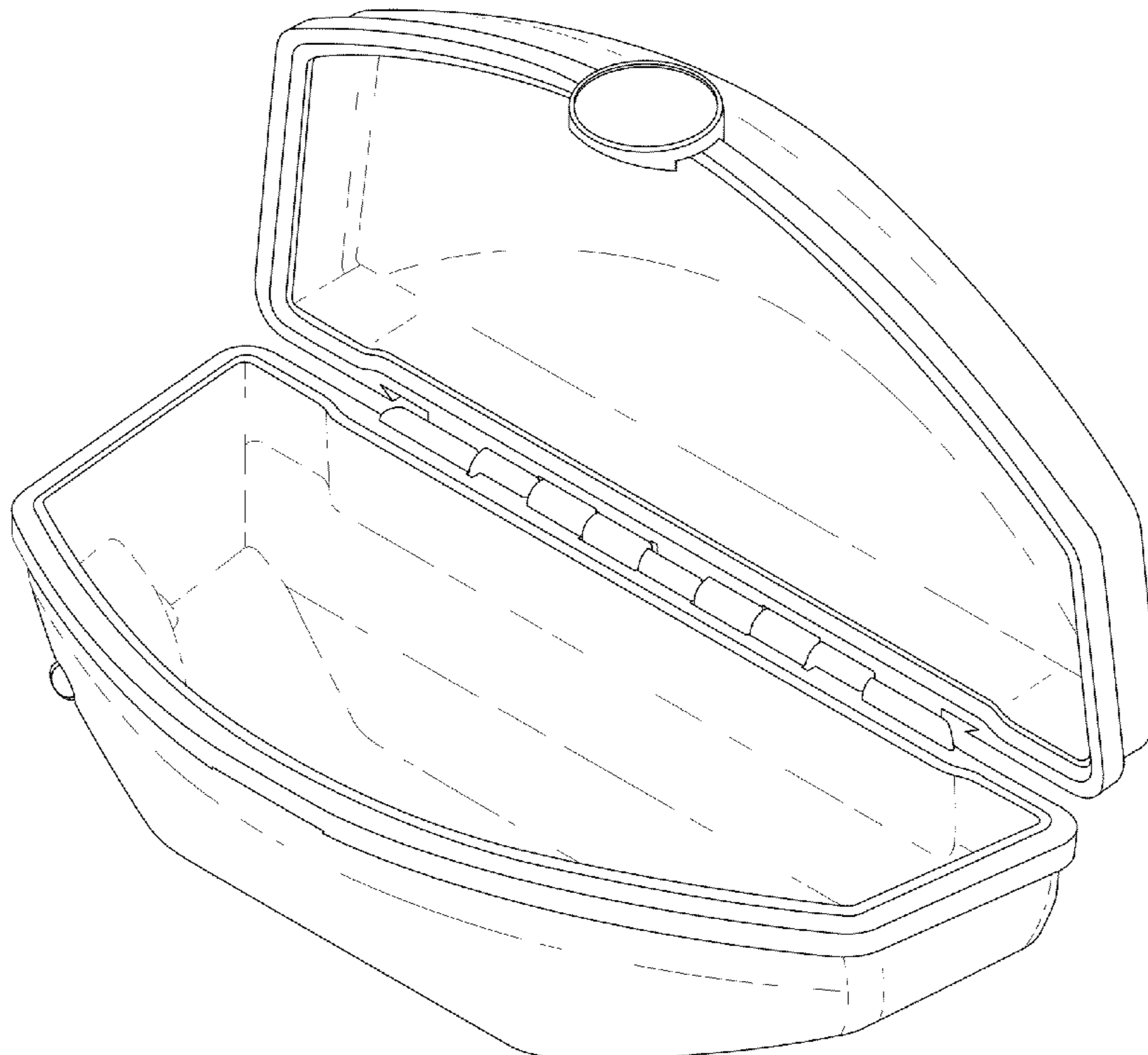
(57) **CLAIM**

The ornamental design for an eyeglasses case, as shown and described.

DESCRIPTION

FIG. 1 is a front view of the eyeglasses case design showing my new design;
FIG. 2 is a top view thereof;
FIG. 3 is a bottom view thereof;
FIG. 4 is a rear view thereof;
FIG. 5 is a left view thereof;
FIG. 6 is a right view thereof; and,
FIG. 7 is a perspective view showing the top, front, and right sides thereof.

1 Claim, 4 Drawing Sheets



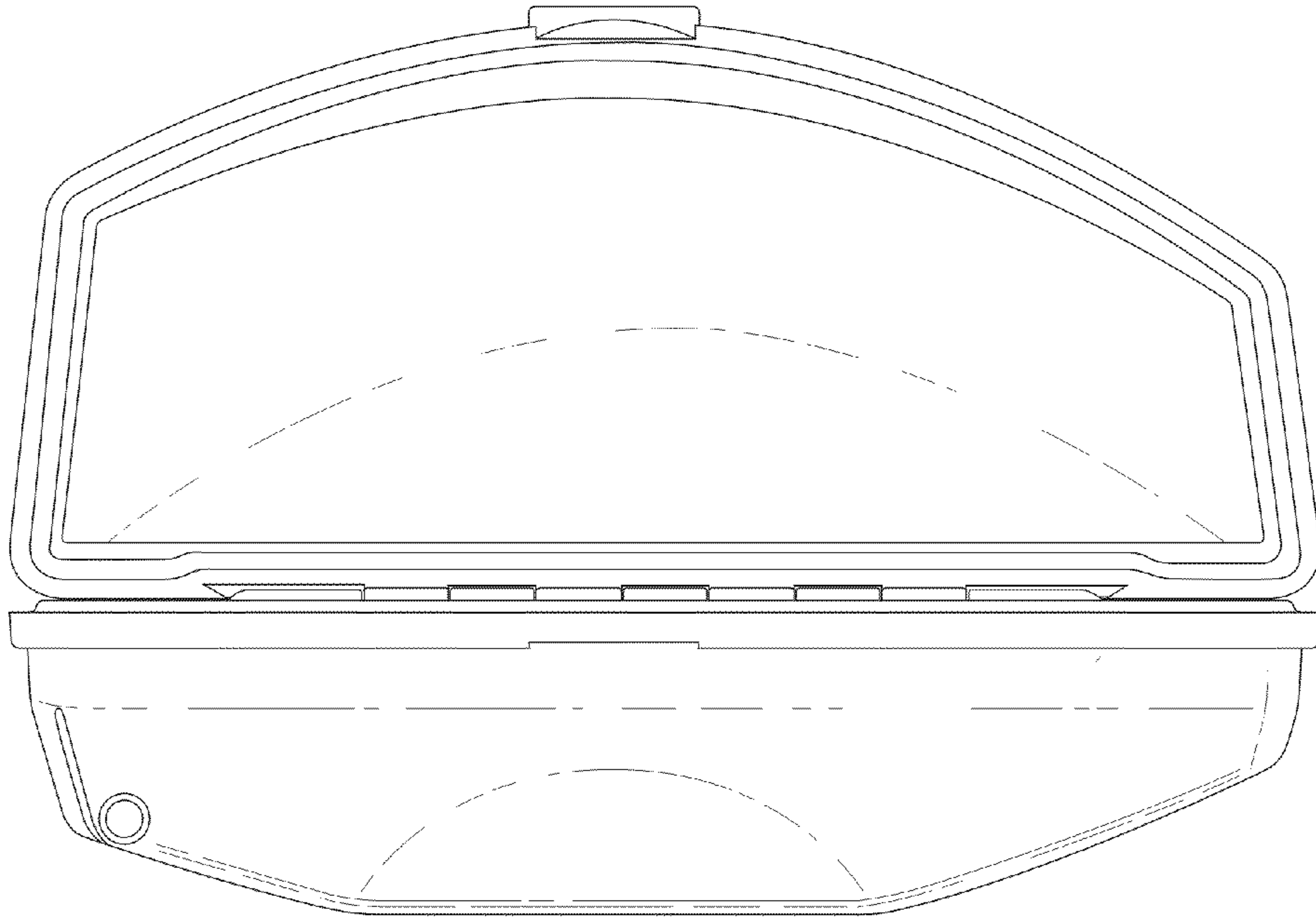


FIG. 1

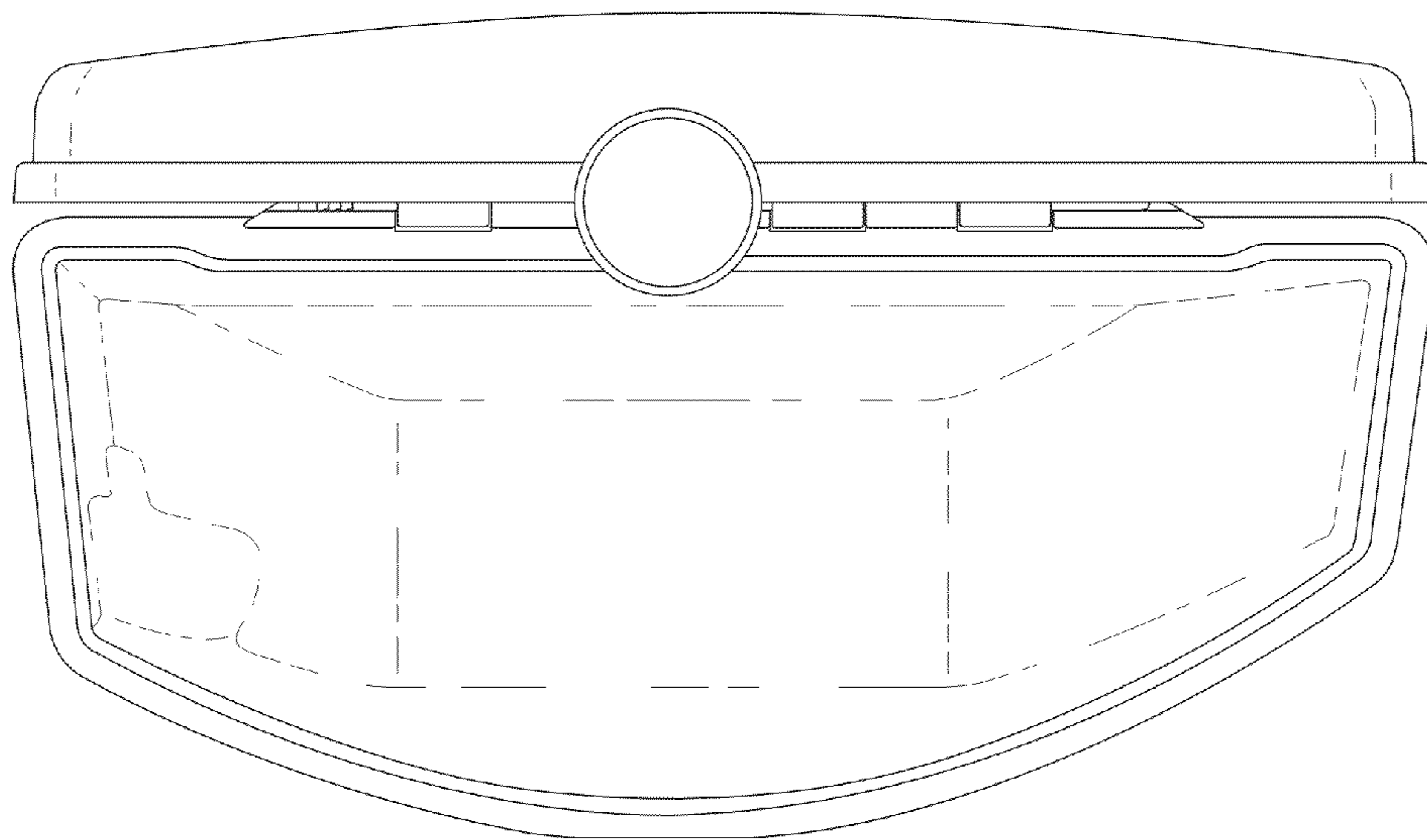


FIG. 2

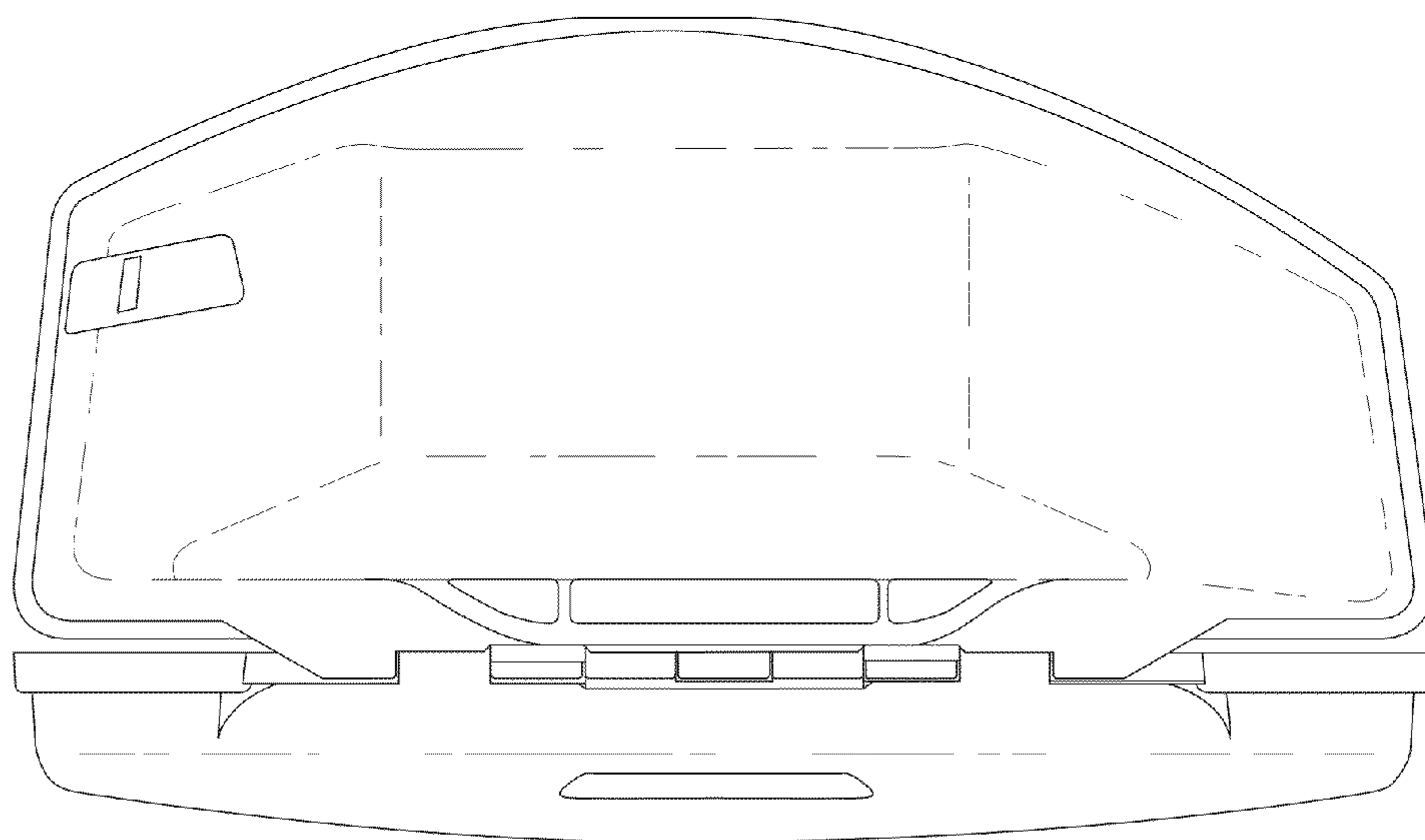


FIG. 3

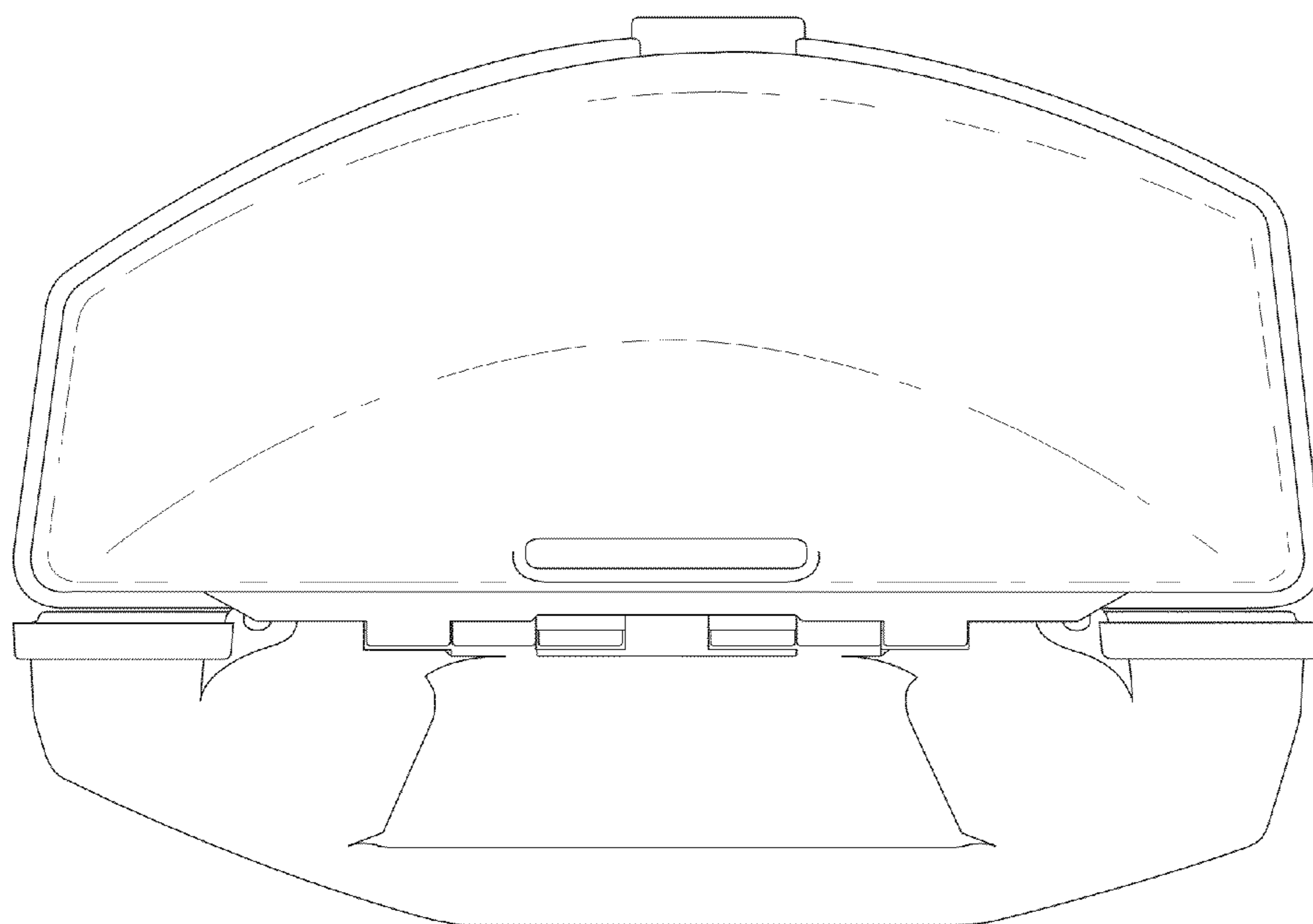
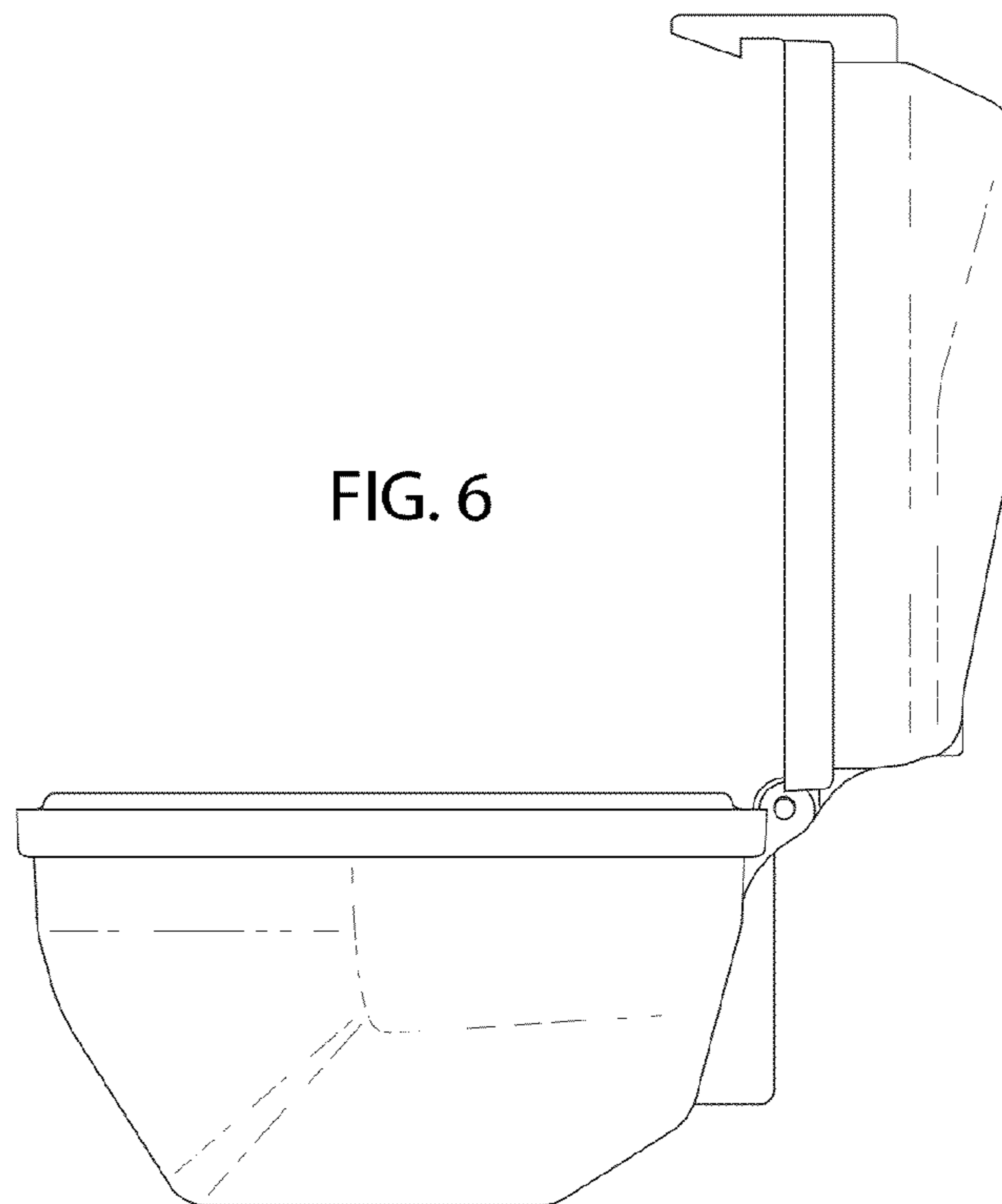
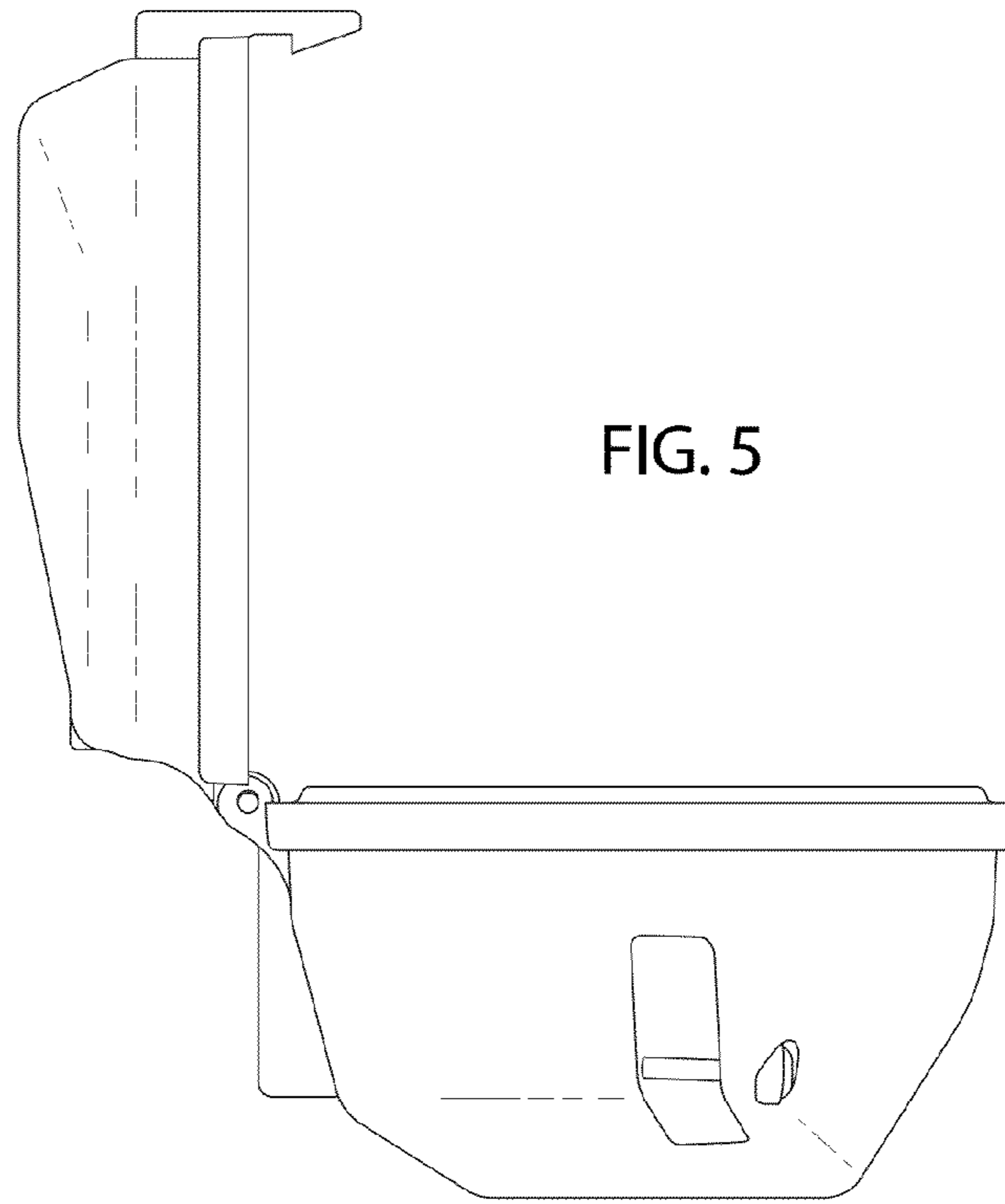


FIG. 4



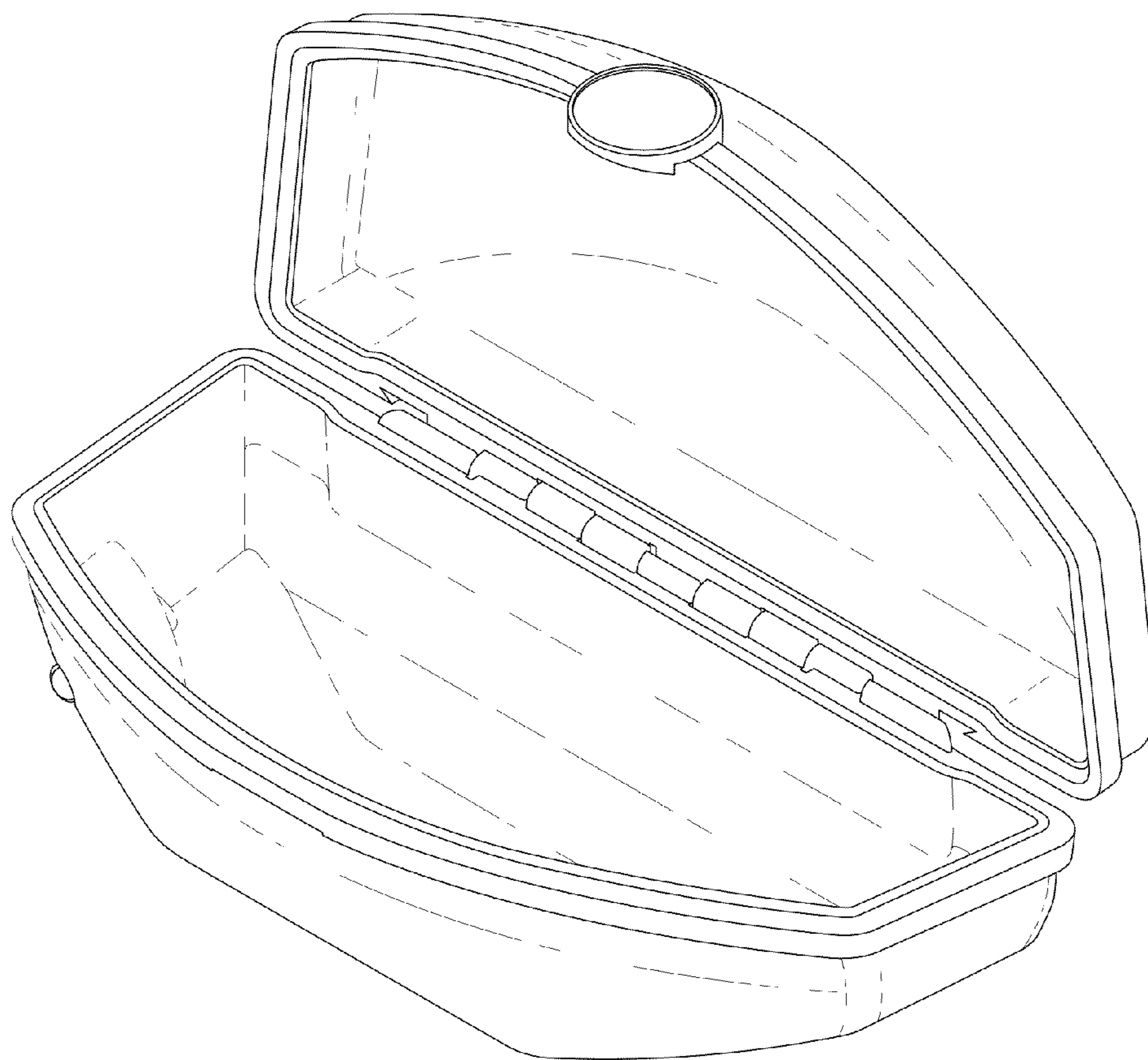


FIG. 7