

US00D716547S

(12) **United States Design Patent**  
**Pennington**

(10) **Patent No.:** **US D716,547 S**  
(45) **Date of Patent:** **\*\* Nov. 4, 2014**

(54) **GUN CLEANING KIT CASE WITH FOLDOUT MAT**

(71) Applicant: **Billy Pennington**, Little Rock, AR (US)

(72) Inventor: **Billy Pennington**, Little Rock, AR (US)

(\*\*) Term: **14 Years**

(21) Appl. No.: **29/464,511**

(22) Filed: **Aug. 16, 2013**

(51) **LOC (10) Cl.** ..... **03-01**

(52) **U.S. Cl.**  
USPC ..... **D3/262**

(58) **Field of Classification Search**

USPC ..... D3/262, 247, 203.1, 203.5, 203.6,  
D3/203.8; 150/130, 131, 136, 137;  
206/315.1, 102, 110, 317

See application file for complete search history.

(56) **References Cited**

U.S. PATENT DOCUMENTS

4,106,597 A \* 8/1978 Shook et al. .... 190/110  
5,080,206 A \* 1/1992 Tawil ..... 190/103

(Continued)

*Primary Examiner* — Deanna L Pratt

*Assistant Examiner* — Lilyana Bekic

(74) *Attorney, Agent, or Firm* — Joe D. Calhoun

(57) **CLAIM**

I claim the ornamental design for a gun cleaning kit case with foldout mat, as shown and described.

**DESCRIPTION**

FIG. 1 is a perspective view of the first embodiment of the gun cleaning kit case with foldout mat of my new design, with the mat in a folded-out configuration.

FIG. 2 is a top plan view of the case with mat depicted in FIG. 1.

FIG. 3 is a bottom plan view of the case with mat depicted in FIG. 1.

FIG. 4 is a left side elevation view of the case with mat depicted in FIG. 1.

FIG. 5 is a right side elevation view of the case with mat depicted in FIG. 1.

FIG. 6 is a front elevation view of the case with mat depicted in FIG. 1, with the opposite side elevation view being a mirror image thereof.

FIG. 7 is a perspective view of a second embodiment of a gun cleaning kit case with mat in a folded-out configuration.

FIG. 8 is a top plan view of the case with mat depicted in FIG. 7.

FIG. 9 is a bottom plan view of the case with mat depicted in FIG. 7.

FIG. 10 is a left side elevation view of the case with mat depicted in FIG. 7.

FIG. 11 is a right side elevation view of the case with mat depicted in FIG. 7.

FIG. 12 is a front elevation view of the case with mat depicted in FIG. 7, with the opposite side elevation view being a mirror image thereof.

FIG. 13 is a perspective view of a third embodiment of a gun cleaning kit case with mat in a folded-out configuration.

FIG. 14 is a top plan view of the case with mat depicted in FIG. 13.

FIG. 15 is a bottom plan view of the case with mat depicted in FIG. 13.

FIG. 16 is a left side elevation view of the case with mat depicted in FIG. 13.

FIG. 17 is a right side elevation view of the case with mat depicted in FIG. 13.

FIG. 18 is a front elevation view of the case with mat depicted in FIG. 13, with the opposite side elevation view being a mirror image thereof.

FIG. 19 is a perspective view of a fourth embodiment of a gun cleaning kit case with mat in a folded-out configuration.

FIG. 20 is a top plan view of the case with mat depicted in FIG. 19.

FIG. 21 is a bottom plan view of the case with mat depicted in FIG. 19.

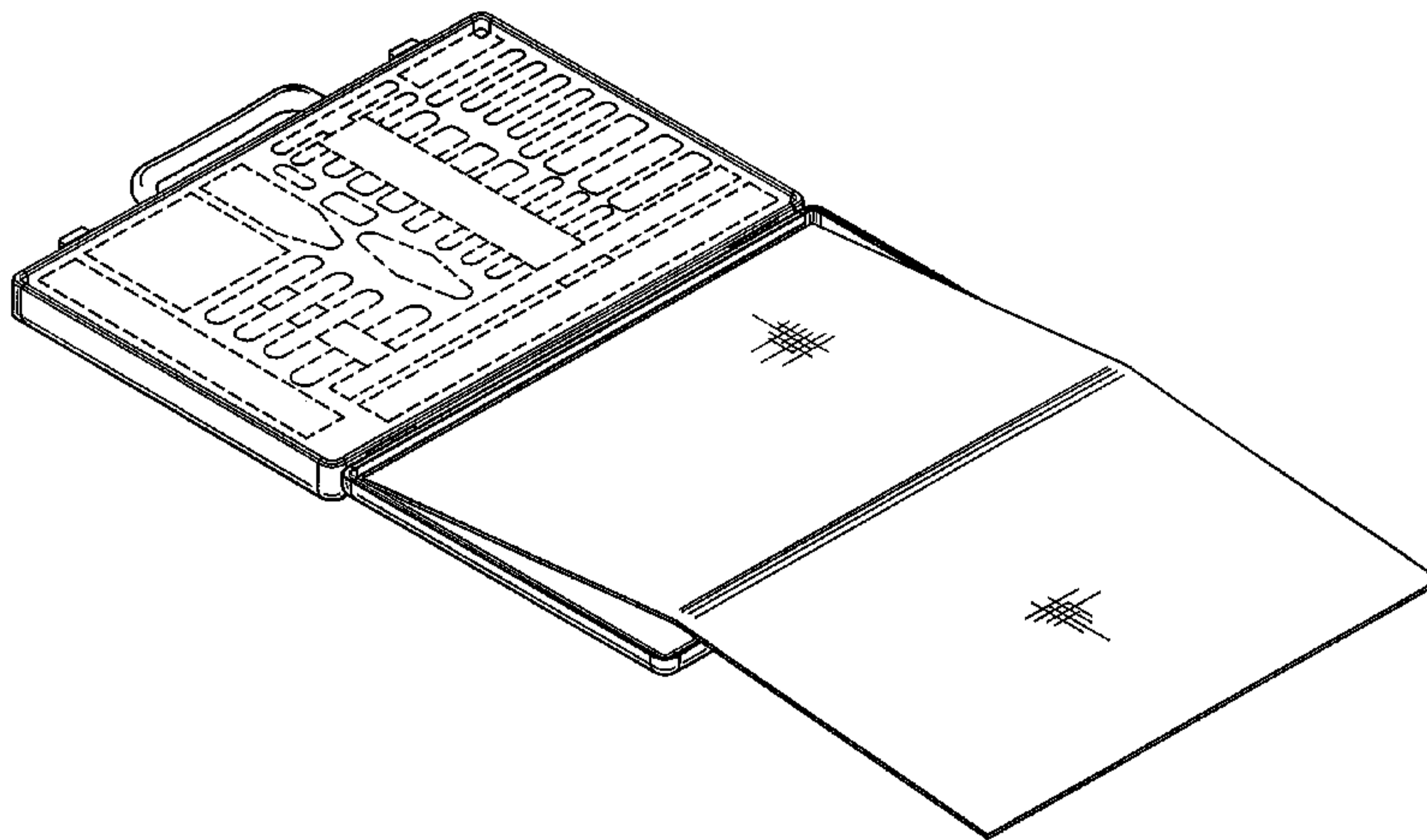
FIG. 22 is a left side elevation view of the case with mat depicted in FIG. 19.

FIG. 23 is a right side elevation view of the case with mat depicted in FIG. 19; and,

FIG. 24 is a front elevation view of the case with mat depicted in FIG. 19, with the opposite side elevation view being a mirror image thereof.

The broken lines illustrate portions of the gun cleaning kit case with foldout mat which form no part of the claimed design.

**1 Claim, 12 Drawing Sheets**



(56)

**References Cited**

U.S. PATENT DOCUMENTS

D343,729 S \* 2/1994 King ..... D3/285  
D418,354 S \* 1/2000 O'Rourke ..... D6/583  
D421,182 S \* 2/2000 Lee ..... D3/276  
D421,525 S \* 3/2000 Lee ..... D3/276  
D660,068 S \* 5/2012 Wang ..... D6/582

D667,217 S \* 9/2012 Buie, II ..... D3/262  
D672,143 S \* 12/2012 Buie, II ..... D3/262  
D672,144 S \* 12/2012 Buie, II ..... D3/262  
D672,145 S \* 12/2012 Buie, II ..... D3/262  
8,707,607 B2 \* 4/2014 Williams et al. .... 42/90  
2009/0179446 A1 \* 7/2009 Ahlers ..... 294/137  
2012/0090215 A1 \* 4/2012 Buie, II ..... 42/95

\* cited by examiner

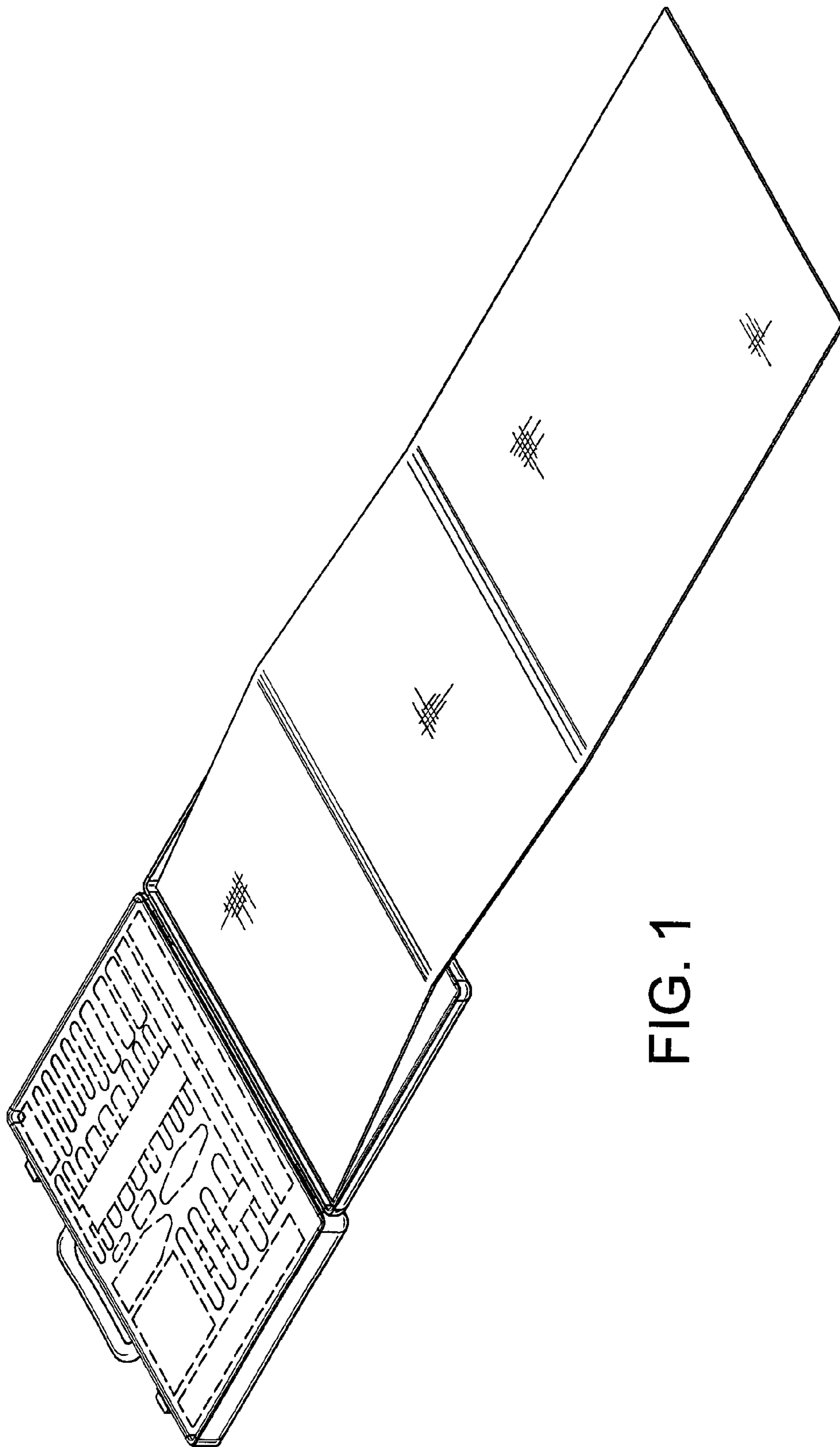


FIG. 1

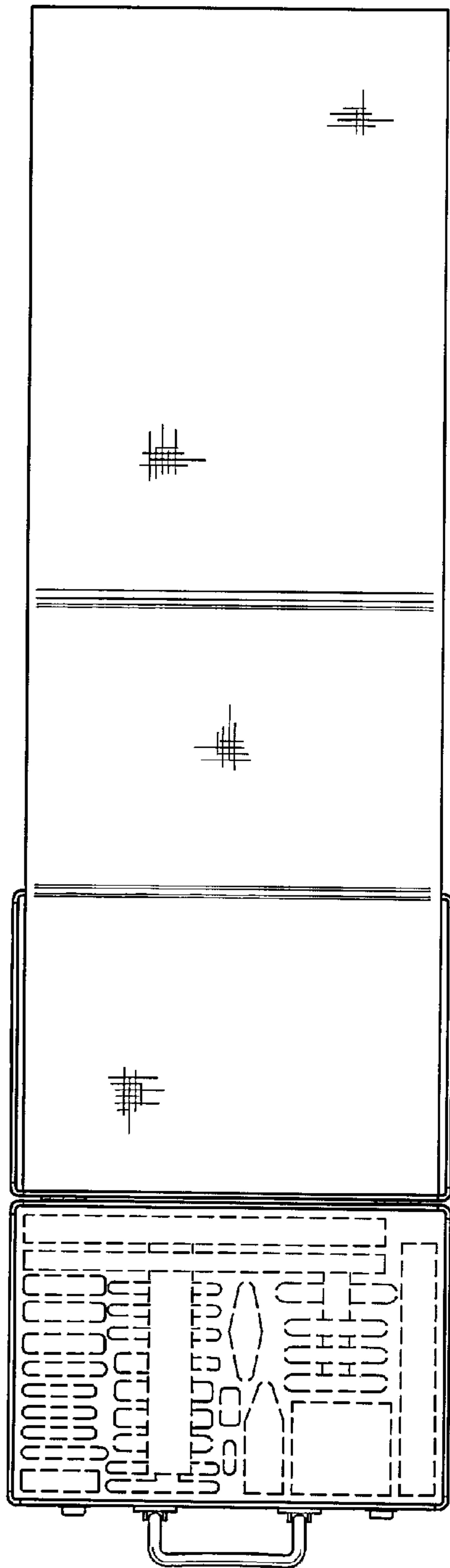


FIG. 2

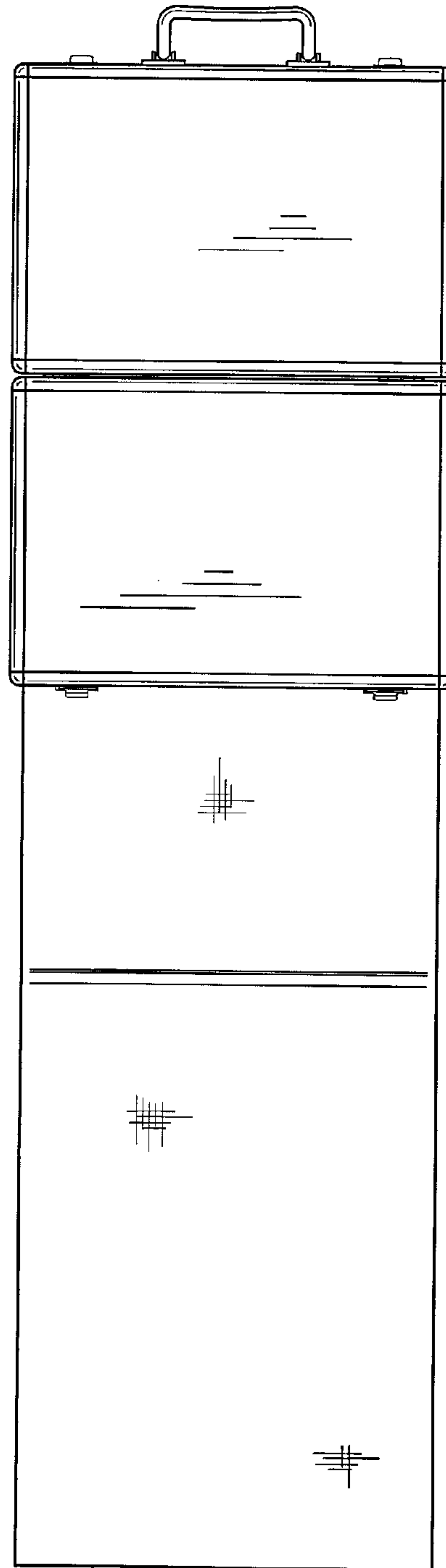


FIG. 3

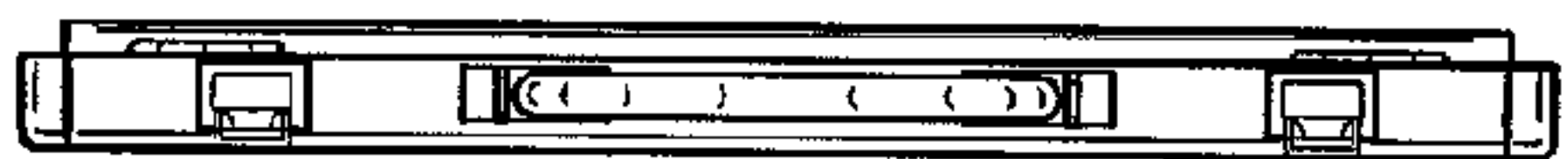


FIG. 4



FIG. 5



FIG. 6



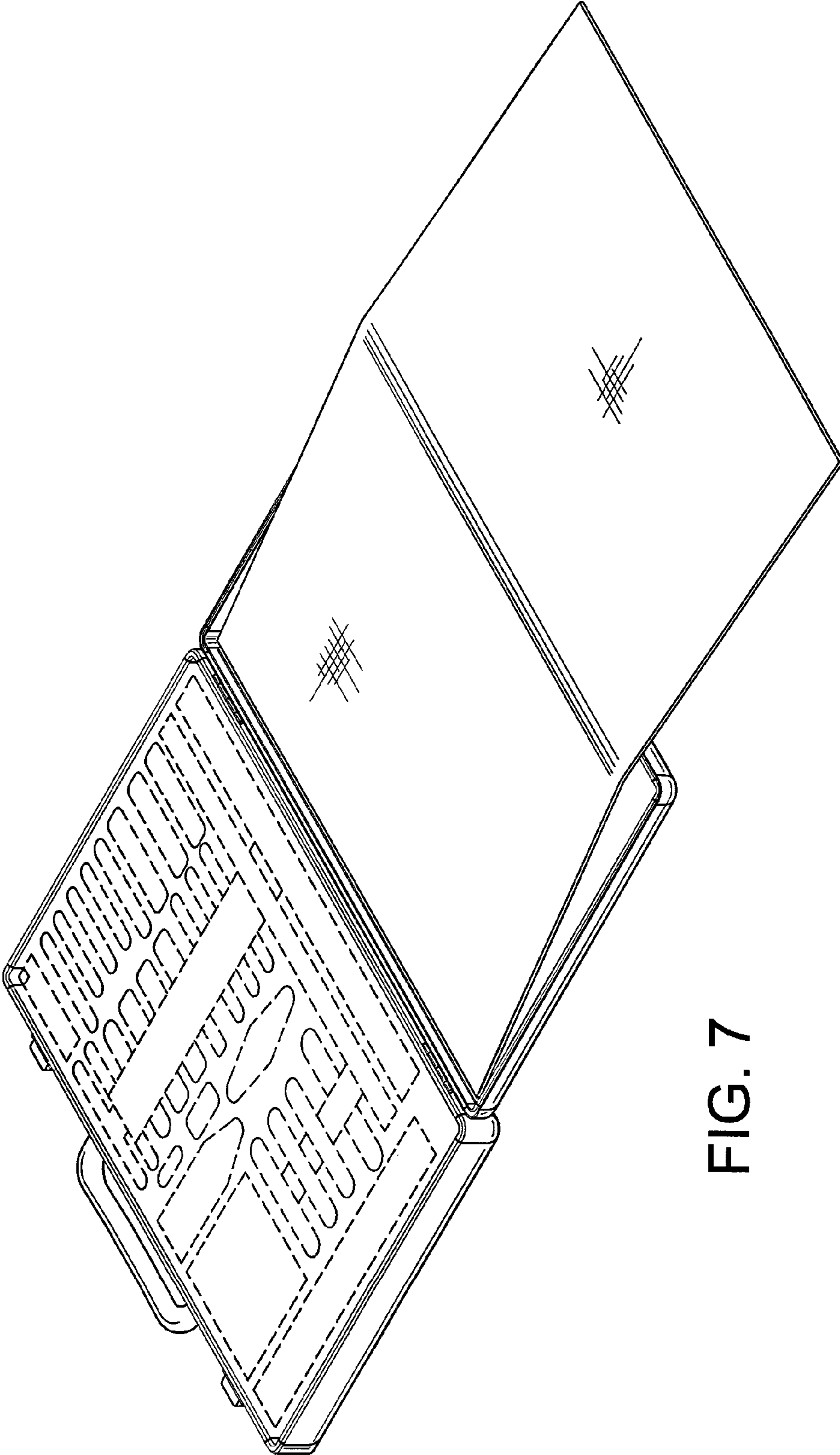


FIG. 7

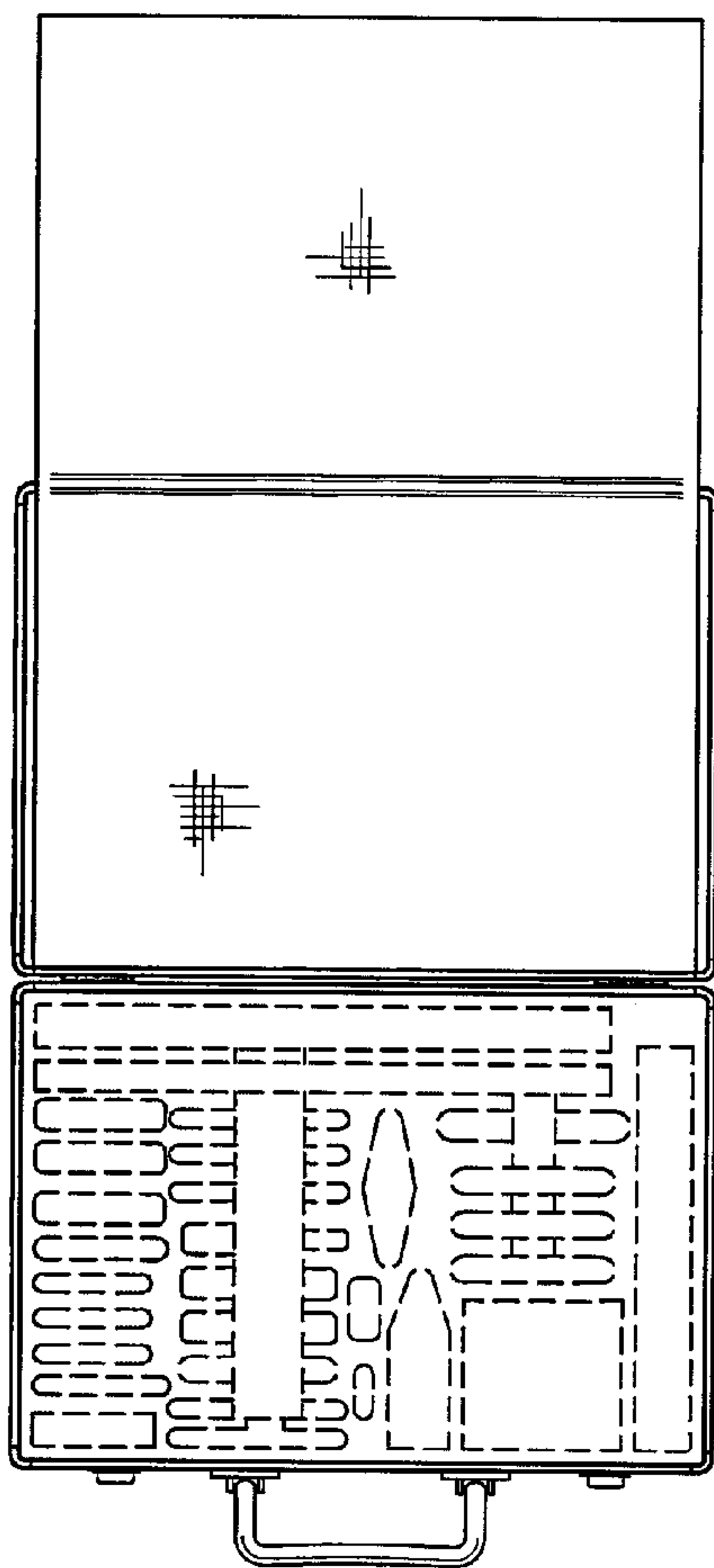


FIG. 8

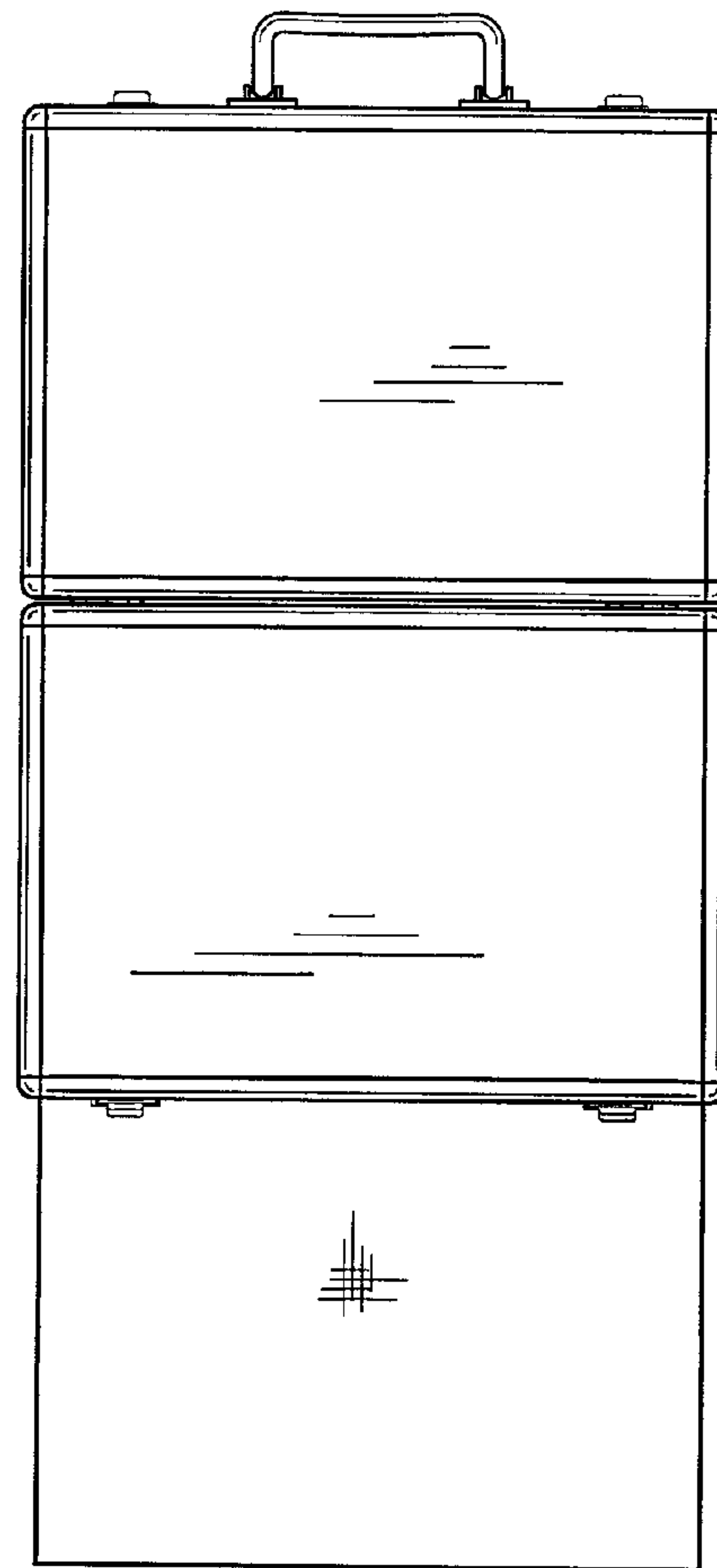


FIG. 9

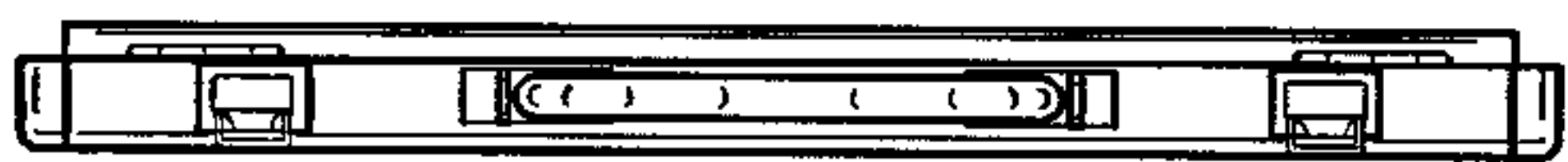


FIG. 10

FIG. 11



FIG. 12



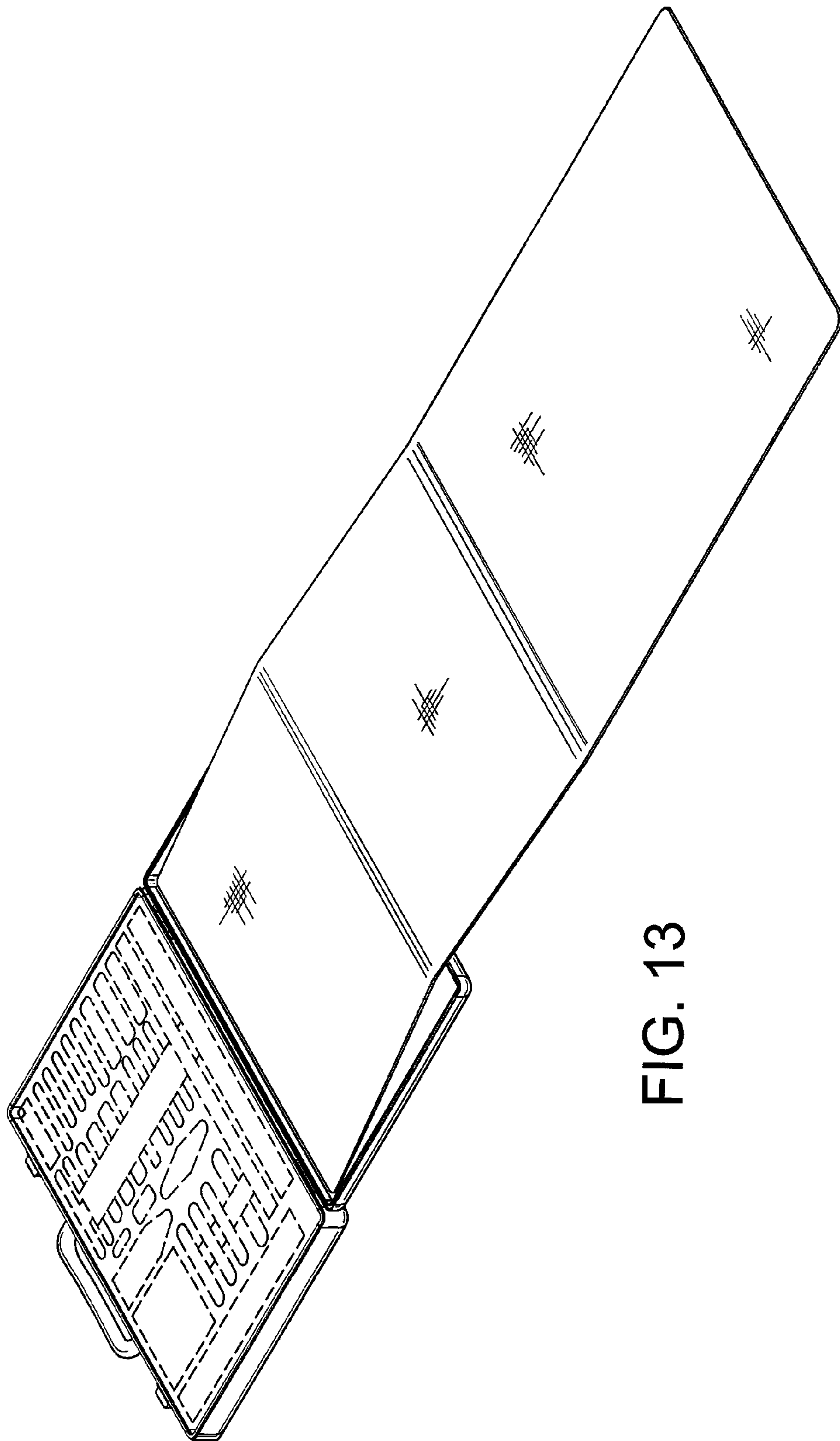


FIG. 13

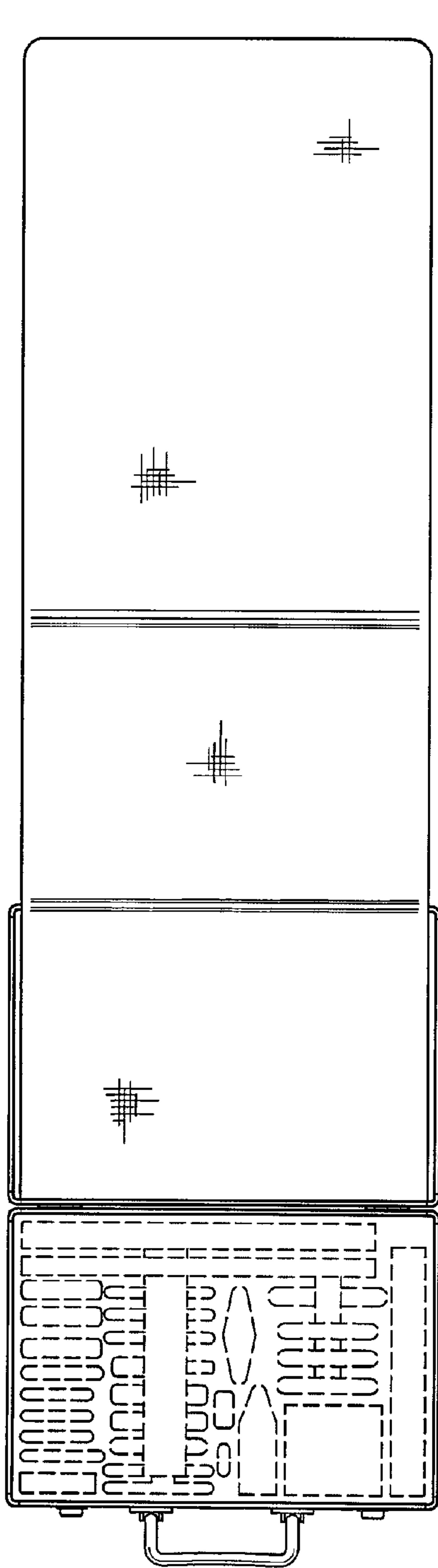


FIG. 14

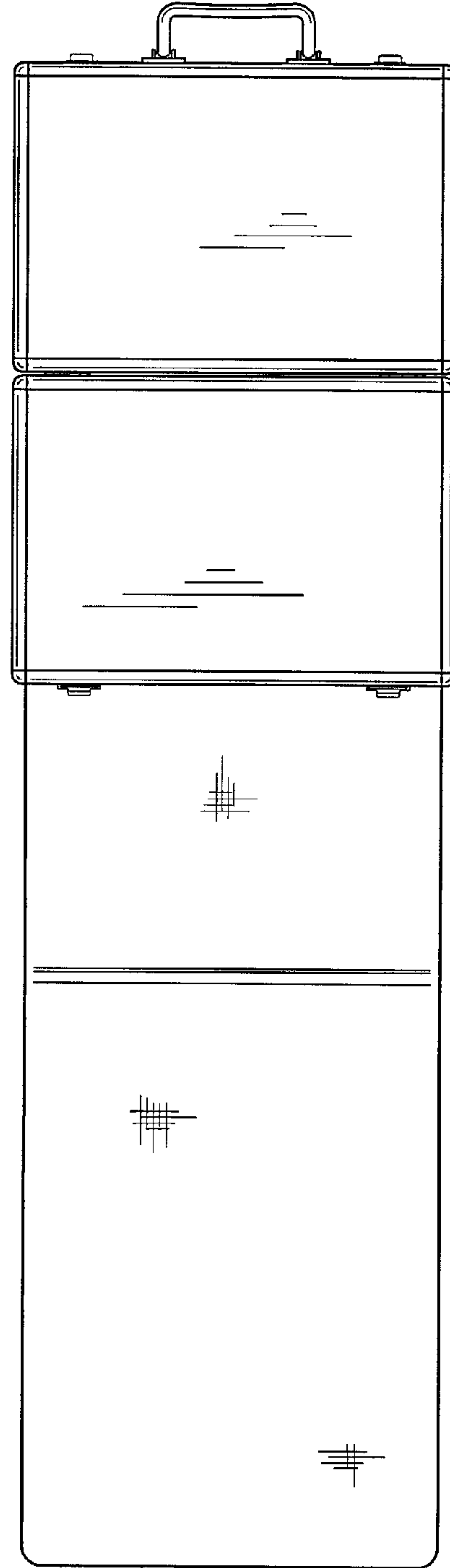


FIG. 15

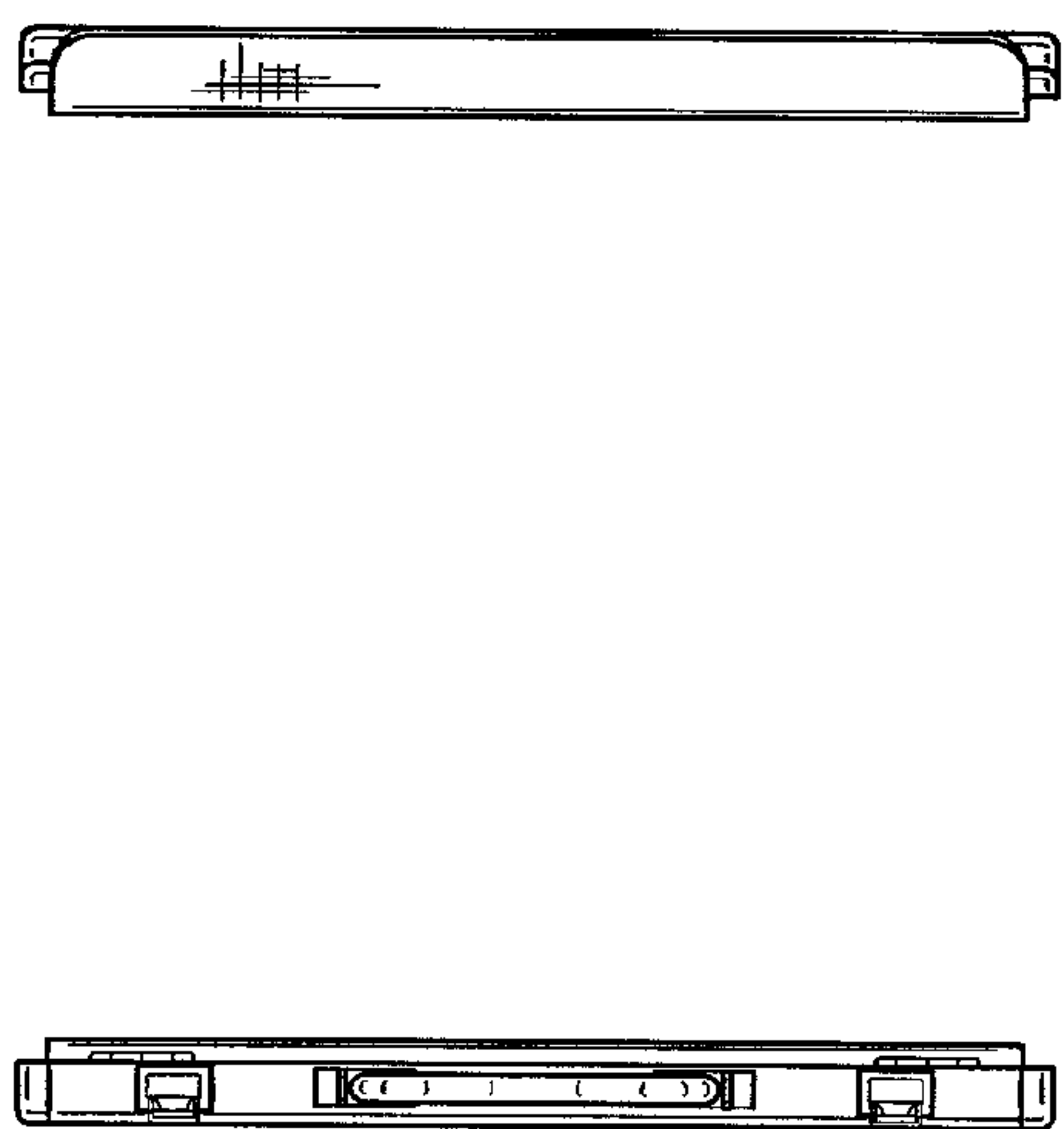


FIG. 16      FIG. 17



FIG. 18

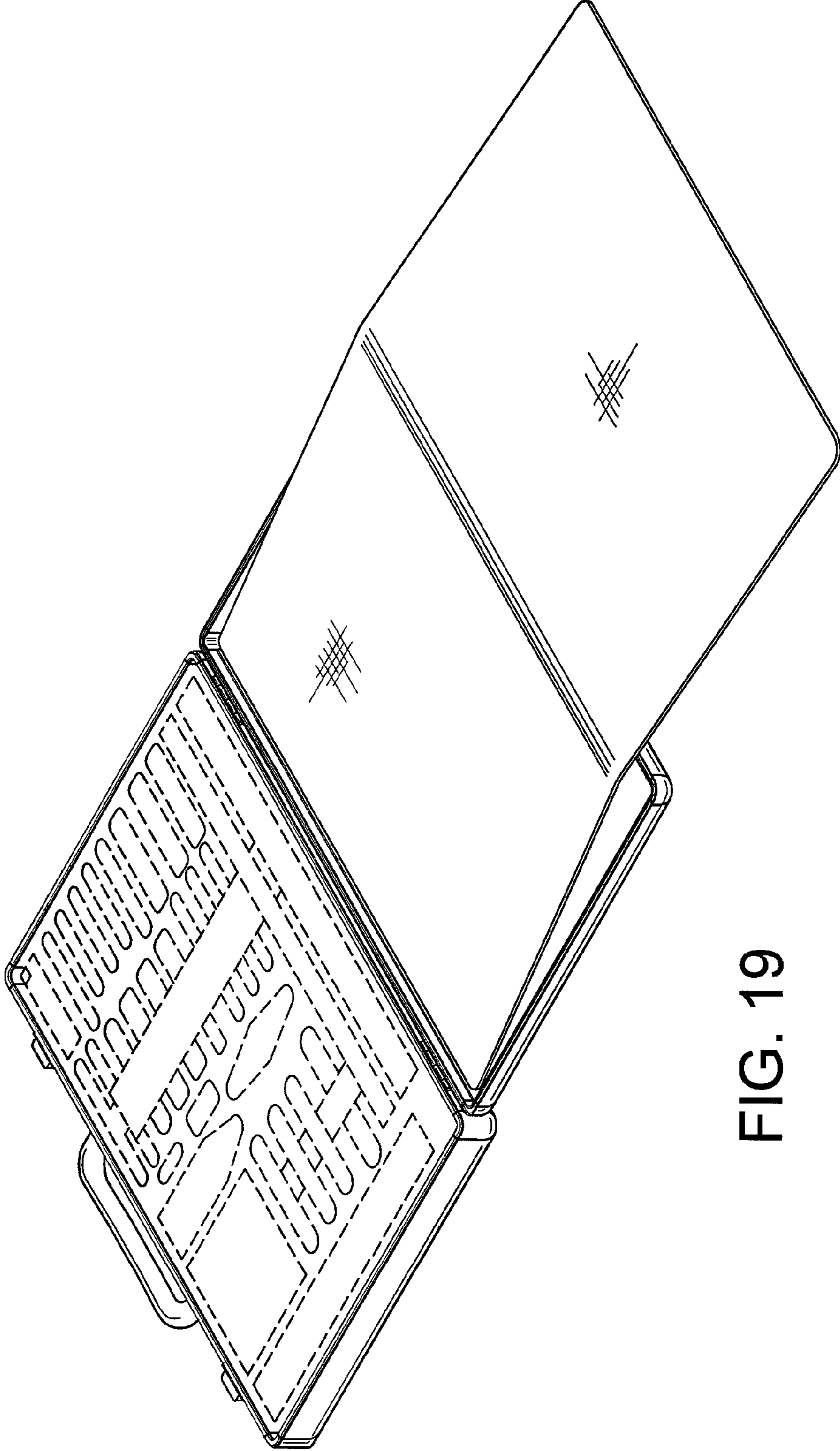


FIG. 19

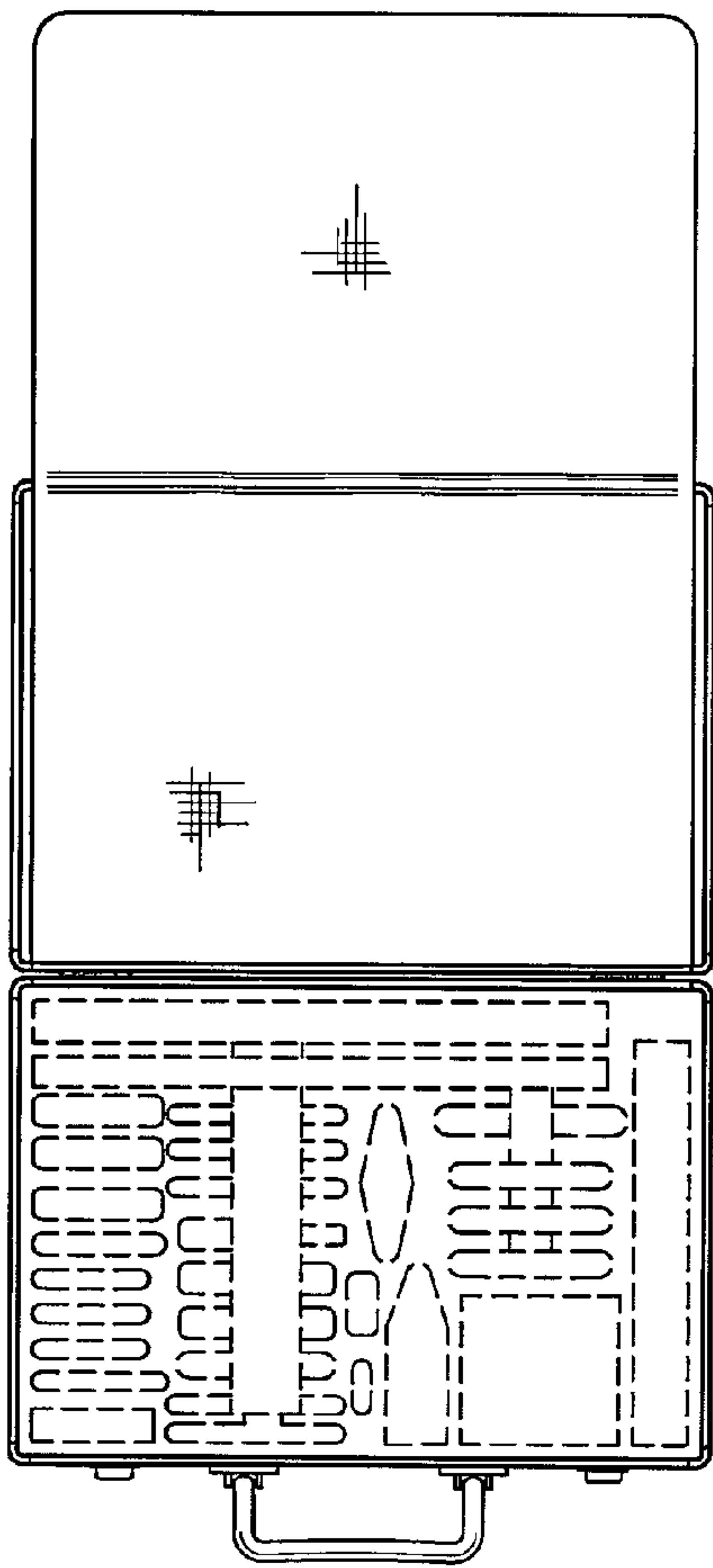


FIG. 20

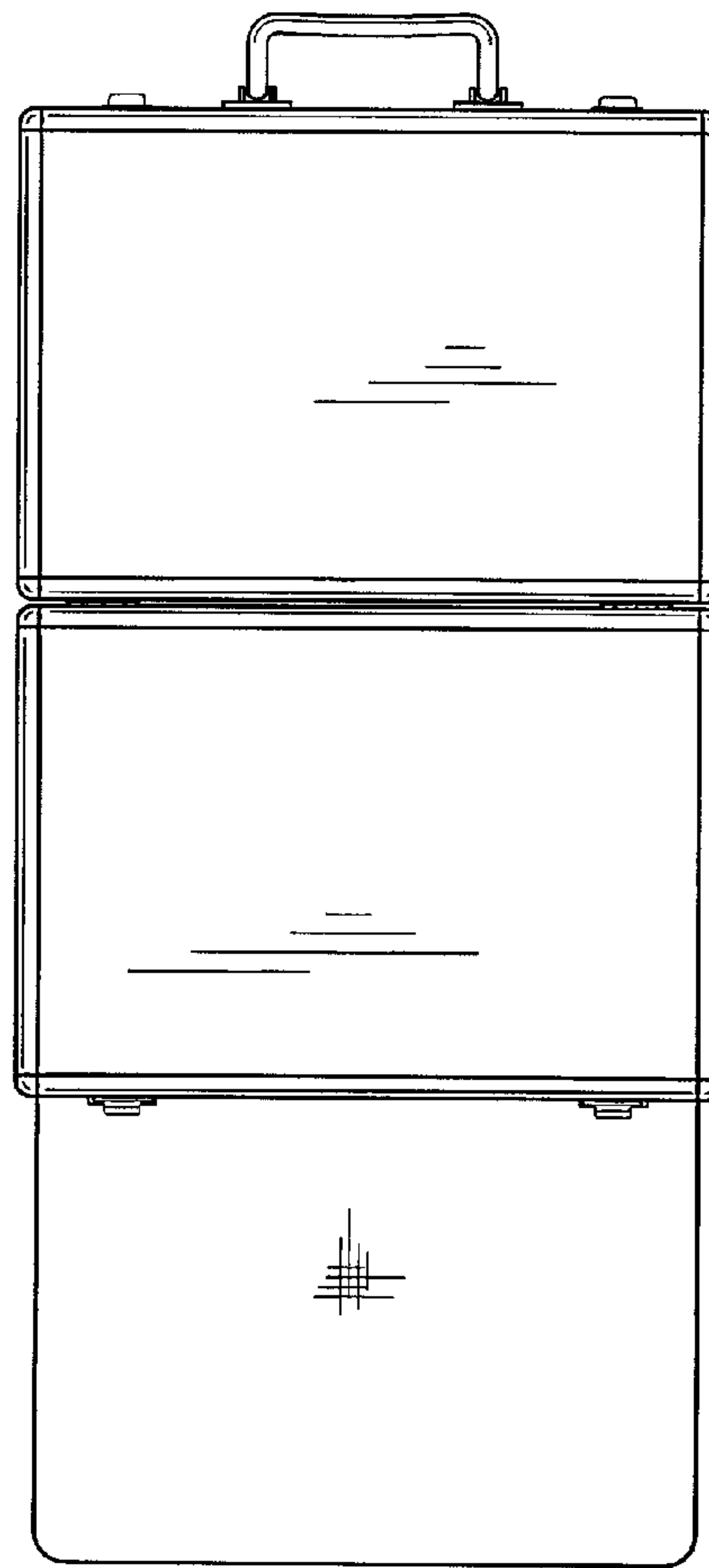


FIG. 21

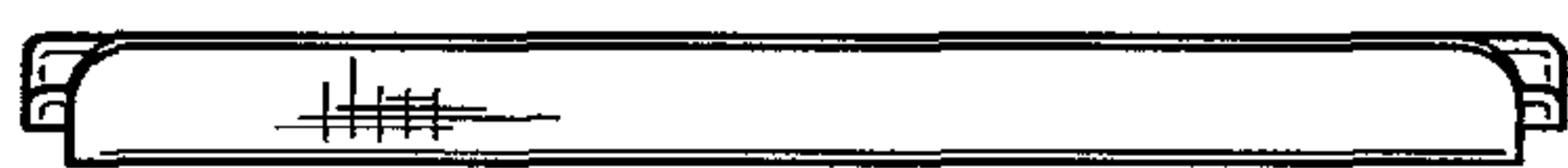


FIG. 23

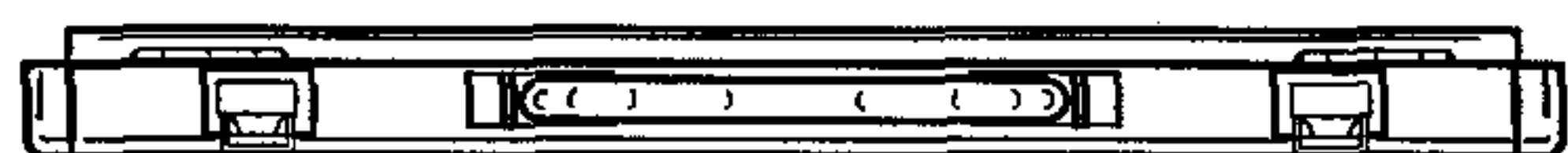


FIG. 22



FIG. 24