



US00D716545S

(12) **United States Design Patent**
Waltrip

(10) **Patent No.:** **US D716,545 S**

(45) **Date of Patent:** **** Nov. 4, 2014**

(54) **BOTTLE CARRIER**

(76) Inventor: **Mark A. Waltrip**, Orlando, FL (US)

(**) Term: **14 Years**

(21) Appl. No.: **29/431,475**

(22) Filed: **Sep. 7, 2012**

Related U.S. Application Data

(63) Continuation-in-part of application No. 13/540,184, filed on Jul. 2, 2012.

(51) **LOC (10) Cl.** **03-01**

(52) **U.S. Cl.**
USPC **D3/229**

(58) **Field of Classification Search**
USPC D3/229, 294, 202; D7/601-602, 605,
D7/607-608, 619.1, 619.2;
224/148.1-148.7

See application file for complete search history.

(56) **References Cited**

U.S. PATENT DOCUMENTS

D243,637 S *	3/1977	Rabinowitz	D7/607
D306,800 S *	3/1990	Yeager	D3/229
D393,779 S *	4/1998	Cabey	D7/607
D488,357 S *	4/2004	Cabey	D7/607
D517,797 S *	3/2006	Lown et al.	D3/202
D517,798 S *	3/2006	Lown et al.	D3/202
D518,631 S *	4/2006	Lown et al.	D3/202

* cited by examiner

Primary Examiner — Catheri Oliver-Garcia

(74) *Attorney, Agent, or Firm* — Allen, Dyer, Doppelt, Milbrath & Gilchrist

(57) **CLAIM**

The ornamental design for a bottle carrier, as shown and described.

DESCRIPTION

FIG. 1 is a front, right, top perspective view of a bottle carrier according to a first embodiment of the present invention;

FIG. 2 is a front view thereof;

FIG. 3 is a rear view thereof;

FIG. 4 is a right side view thereof;

FIG. 5 is a left side view thereof;

FIG. 6 is a top view thereof;

FIG. 7 is a bottom view thereof;

FIG. 8 is a top view of the bottle carrier of FIG. 1, in an alternate configuration;

FIG. 9 is a front, right, top perspective view of the bottle carrier of FIG. 1, in an alternate configuration;

FIG. 10 is a rear, left, bottom perspective view of the bottle carrier of FIG. 1;

FIG. 11 is a front, right, top perspective view of a bottle carrier, according to a third embodiment of the present invention;

FIG. 12 is a front view thereof;

FIG. 13 is a rear view thereof;

FIG. 14 is a right side view thereof;

FIG. 15 is a left side view thereof;

FIG. 16 is a top view thereof;

FIG. 17 is a bottom view thereof;

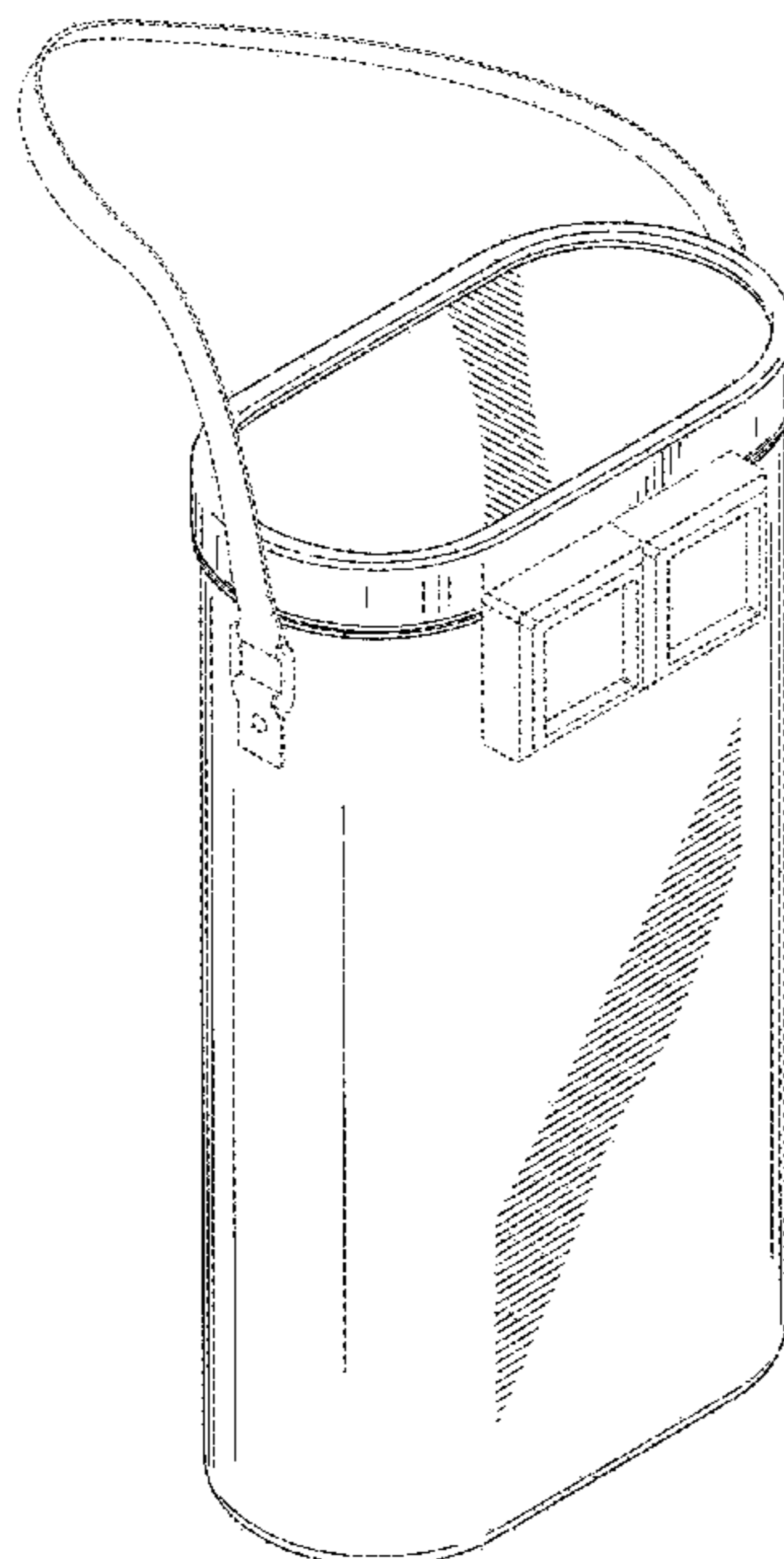
FIG. 18 is a top view of the bottle carrier of FIG. 11, in an alternate configuration;

FIG. 19 is a front, right, top perspective view of the bottle carrier of FIG. 11, in an alternate configuration; and,

FIG. 20 is a rear, left, bottom perspective view of the bottle carrier of FIG. 11.

The broken line showing of environment in the drawings is included for the purpose of illustrating only and forms no part of the claimed design.

1 Claim, 20 Drawing Sheets



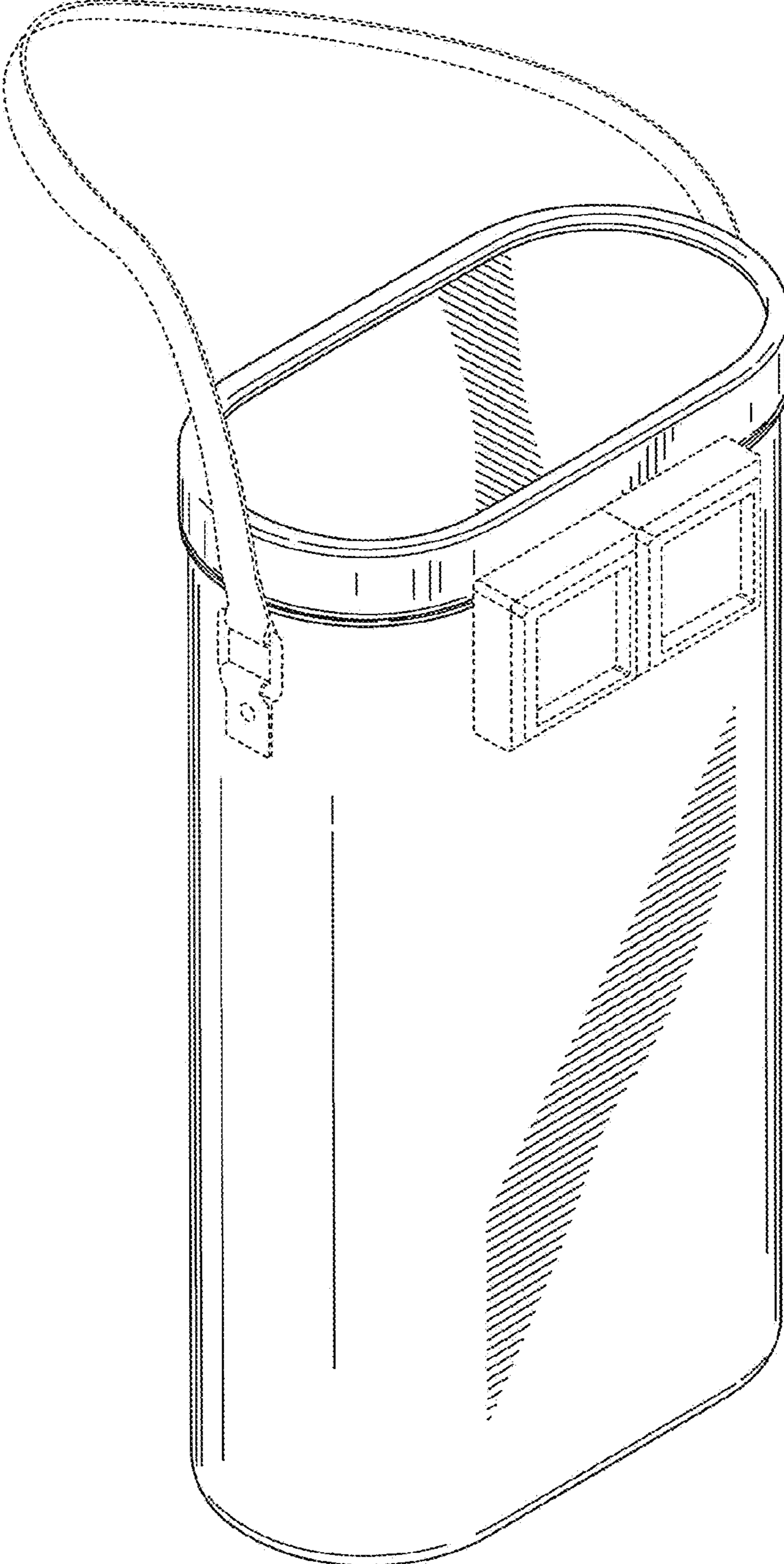


FIG. 1

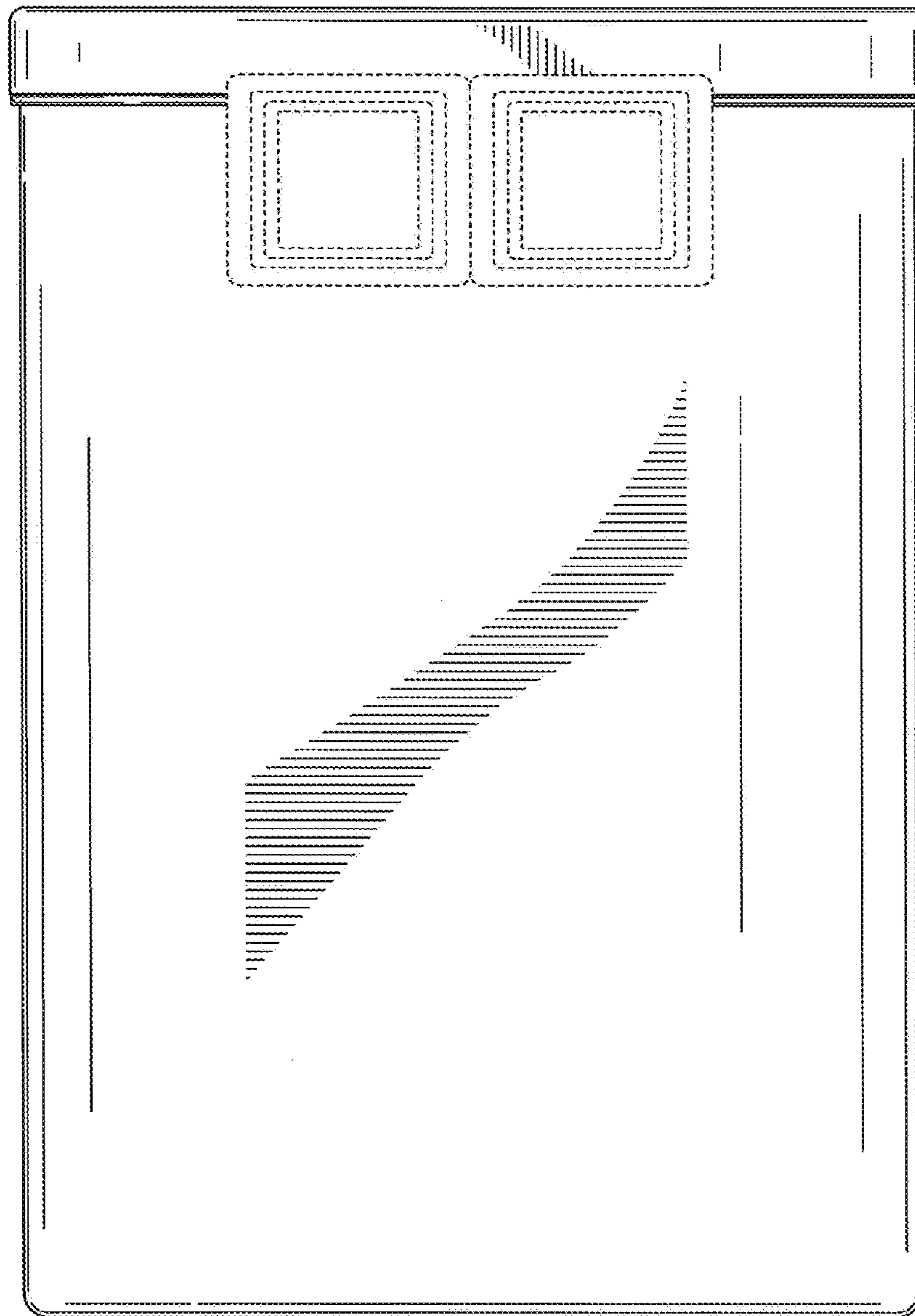


FIG. 2

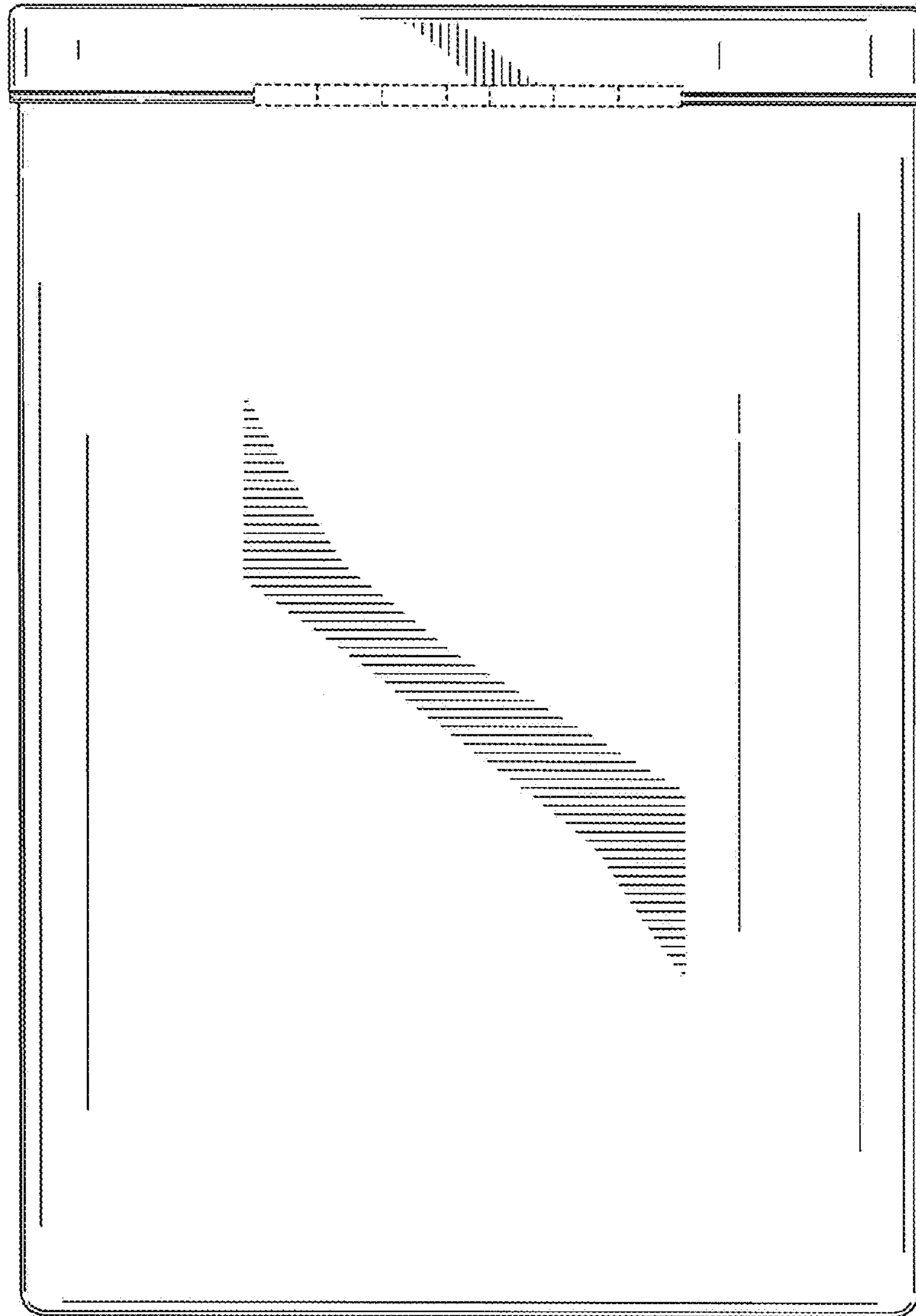


FIG. 3

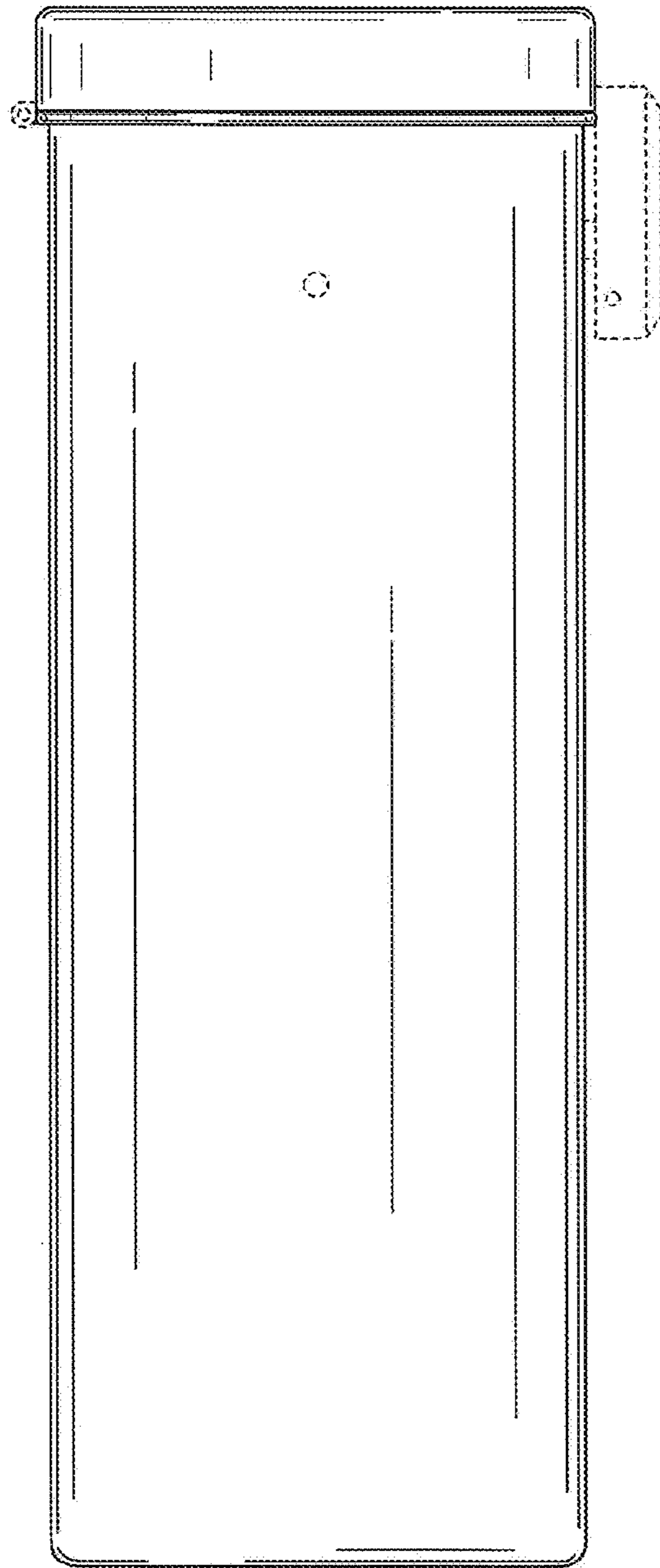


FIG. 4

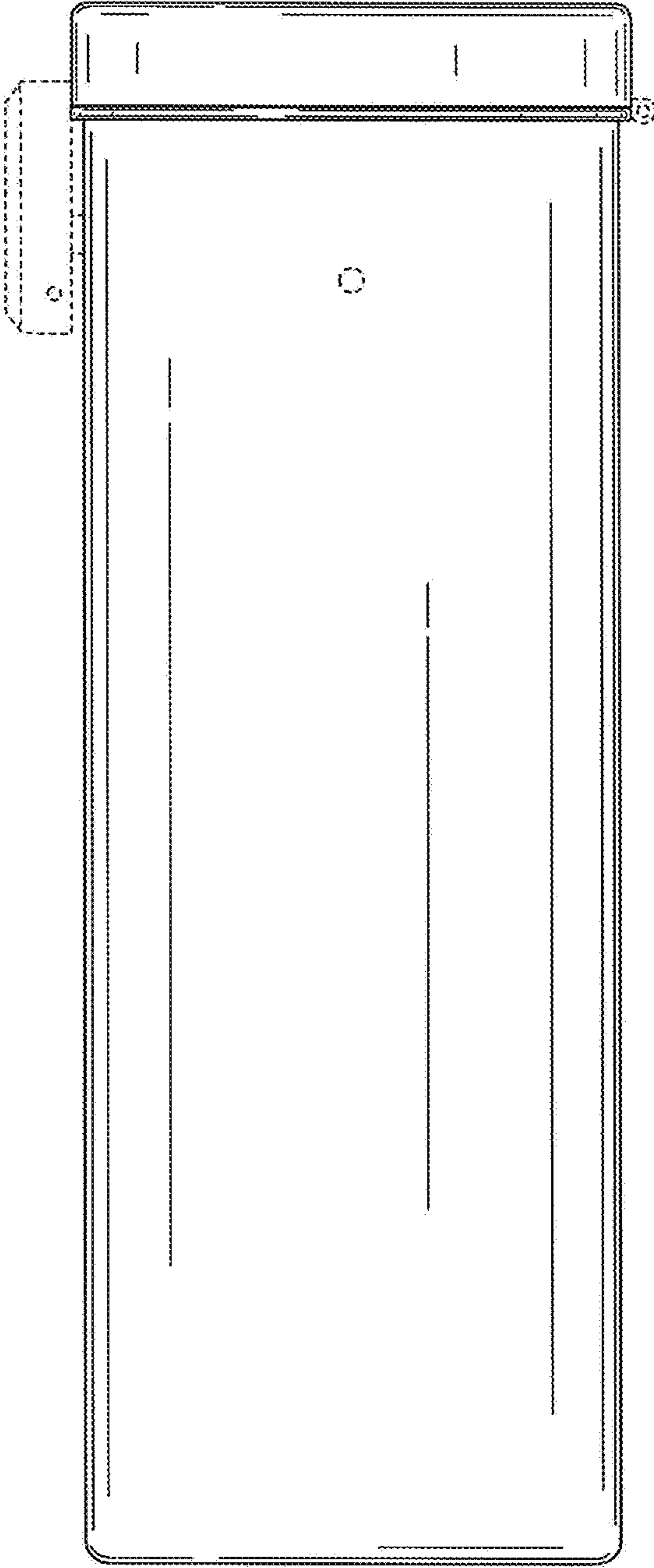


FIG. 5

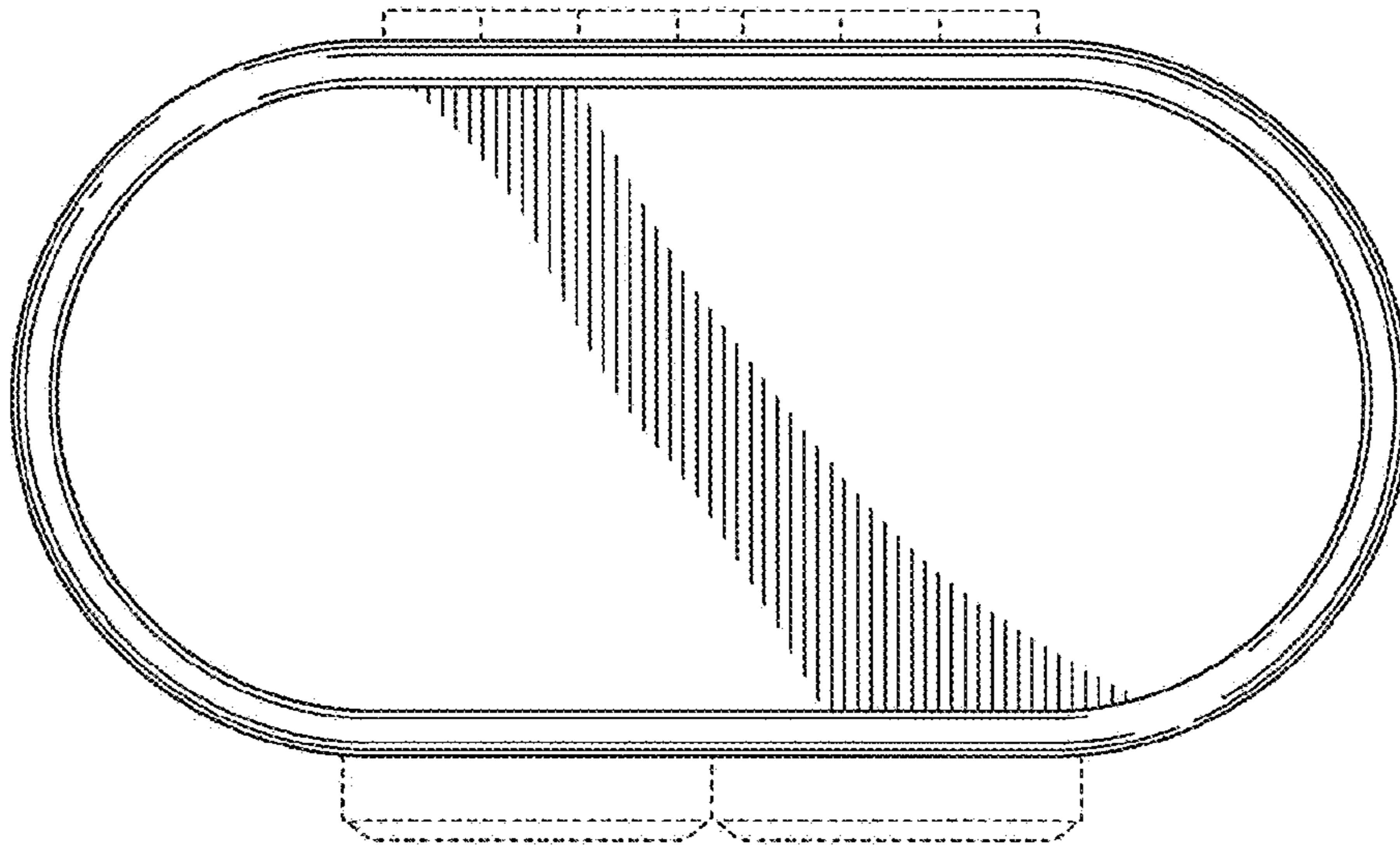


FIG. 6

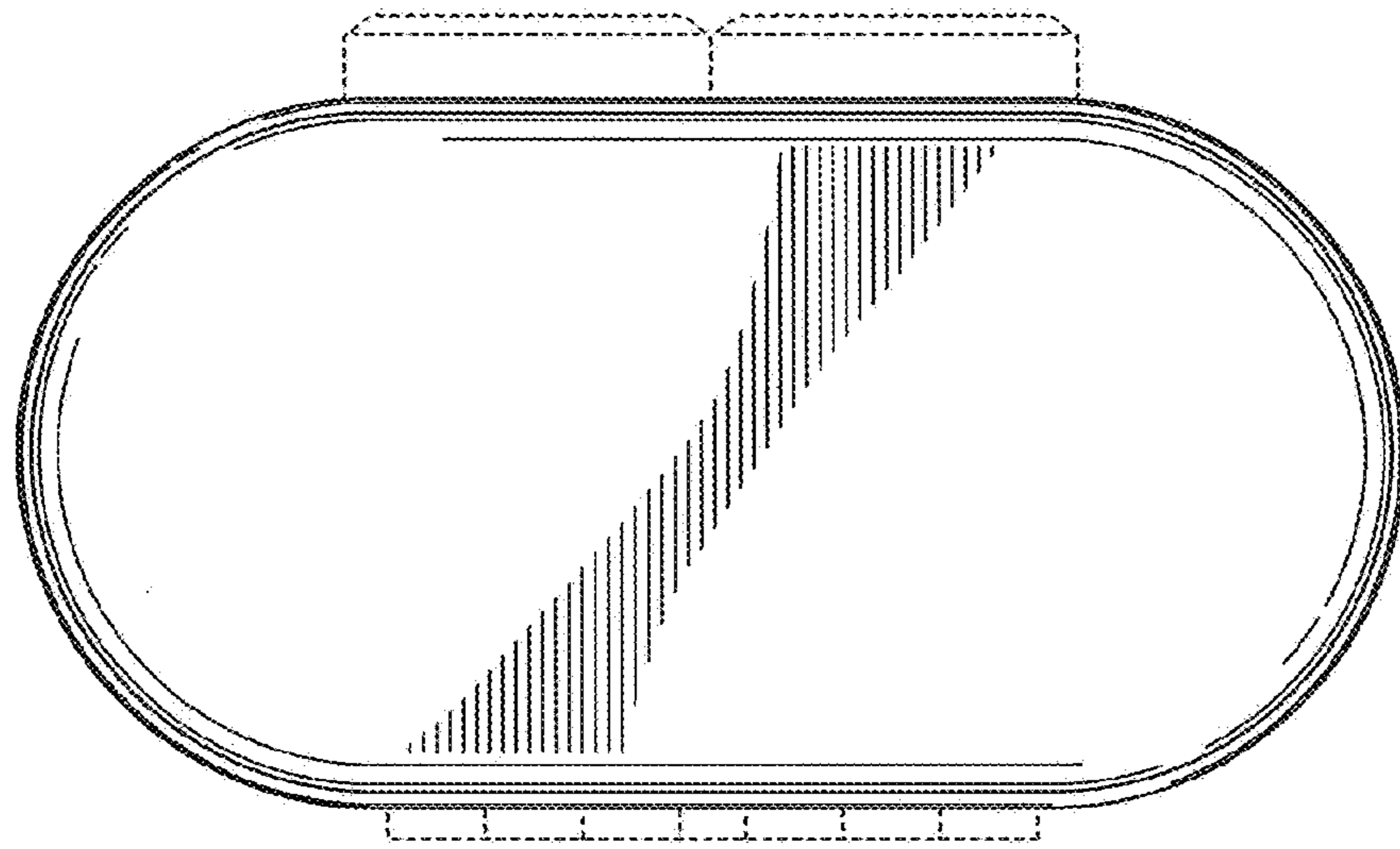


FIG. 7

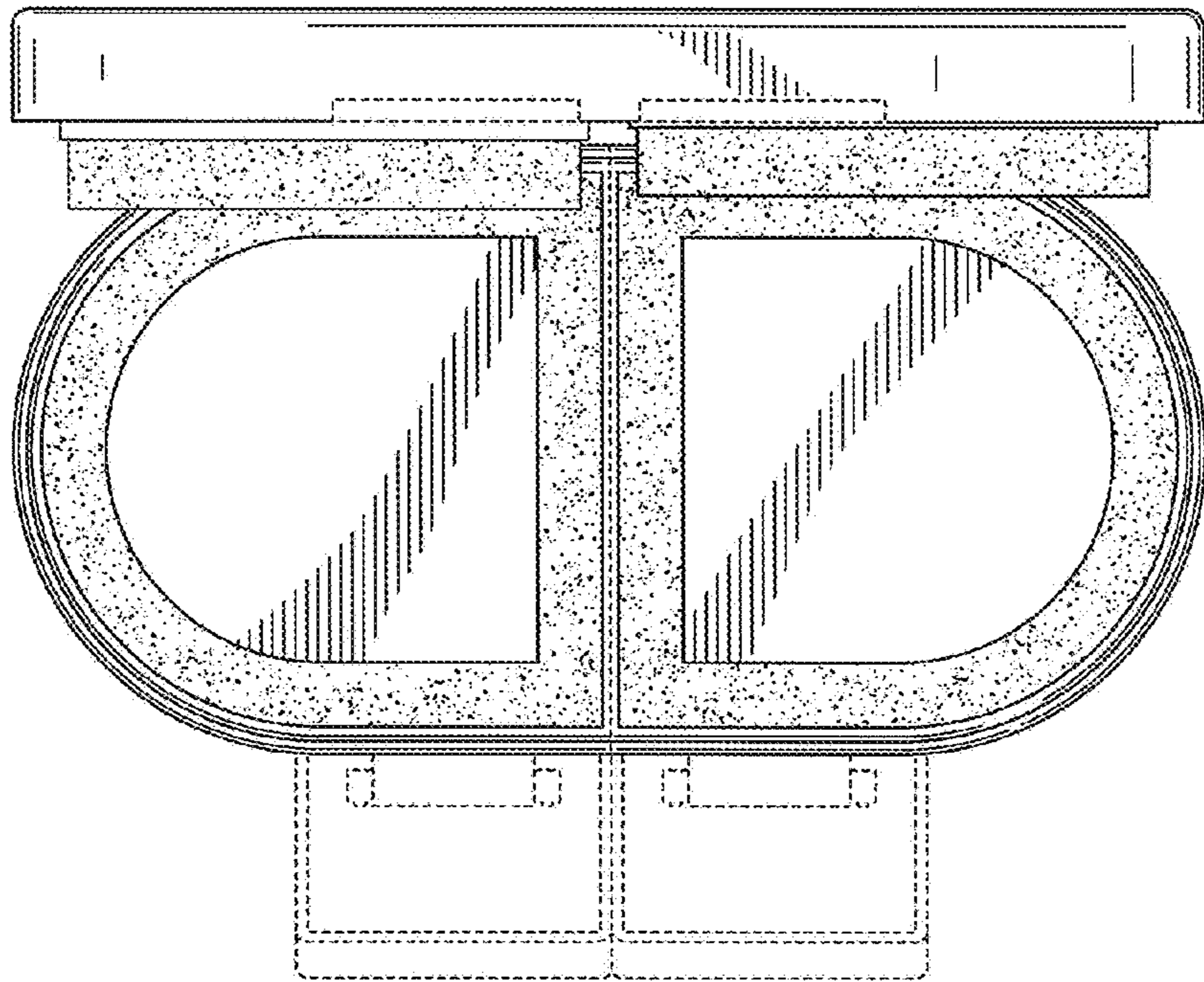


FIG. 8

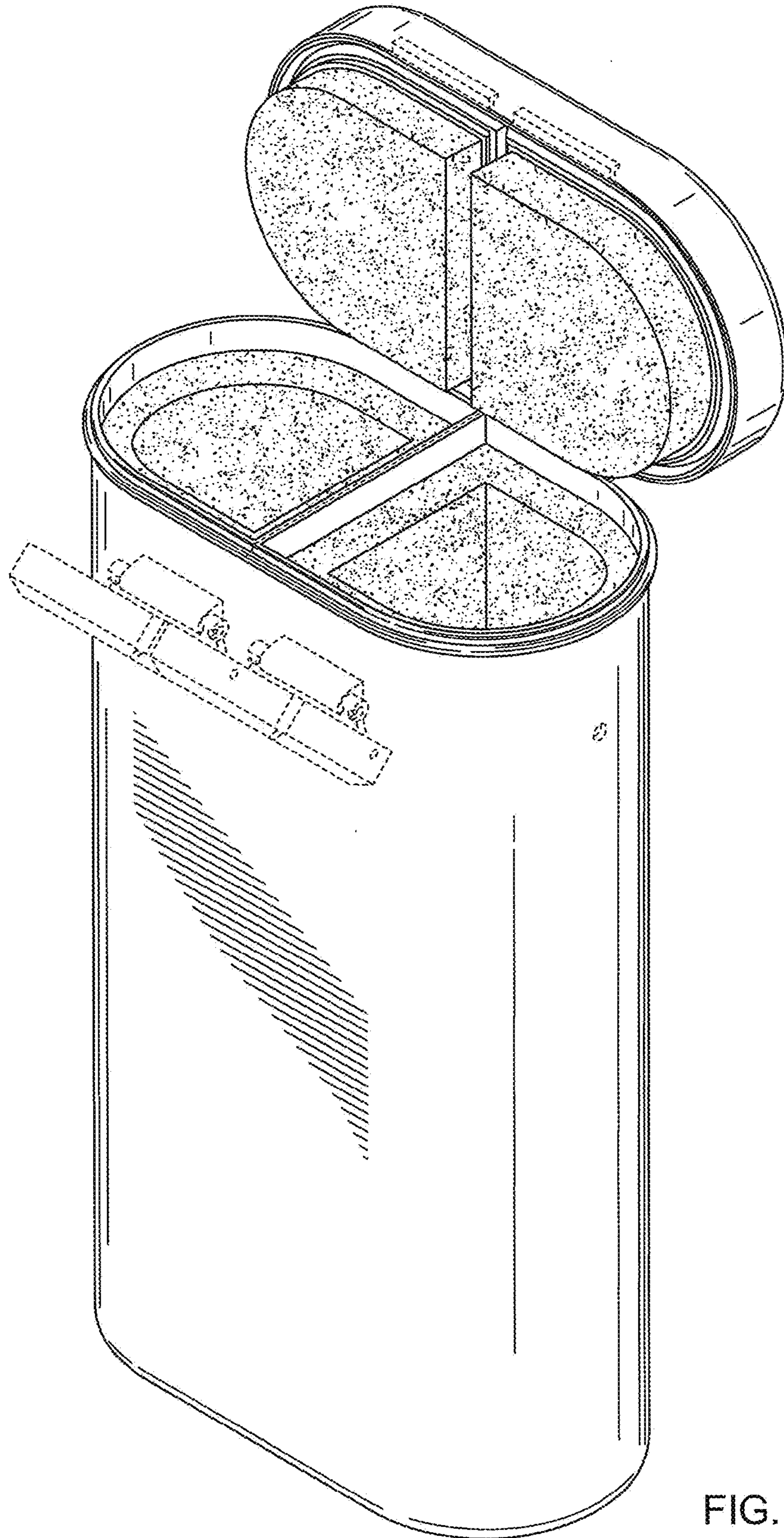


FIG. 9

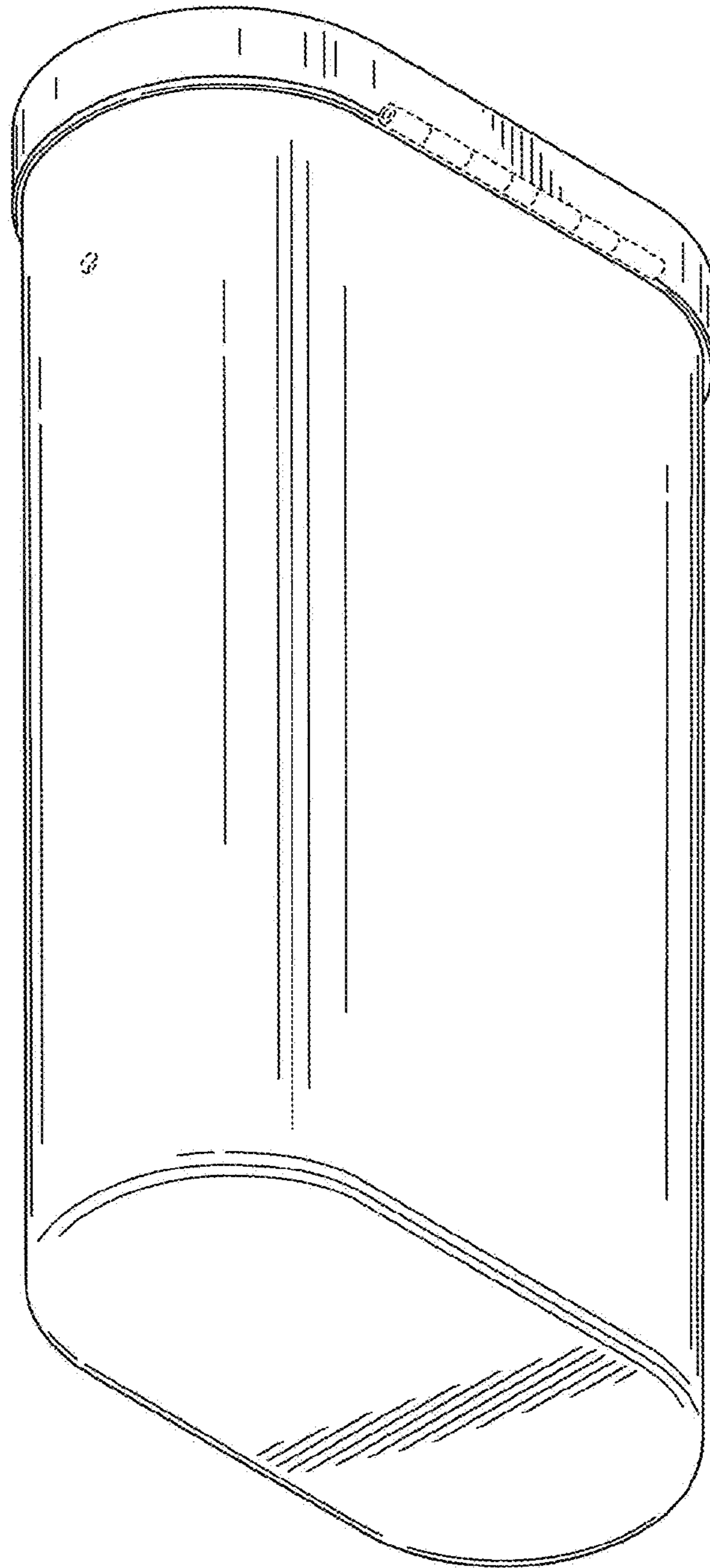


FIG. 10

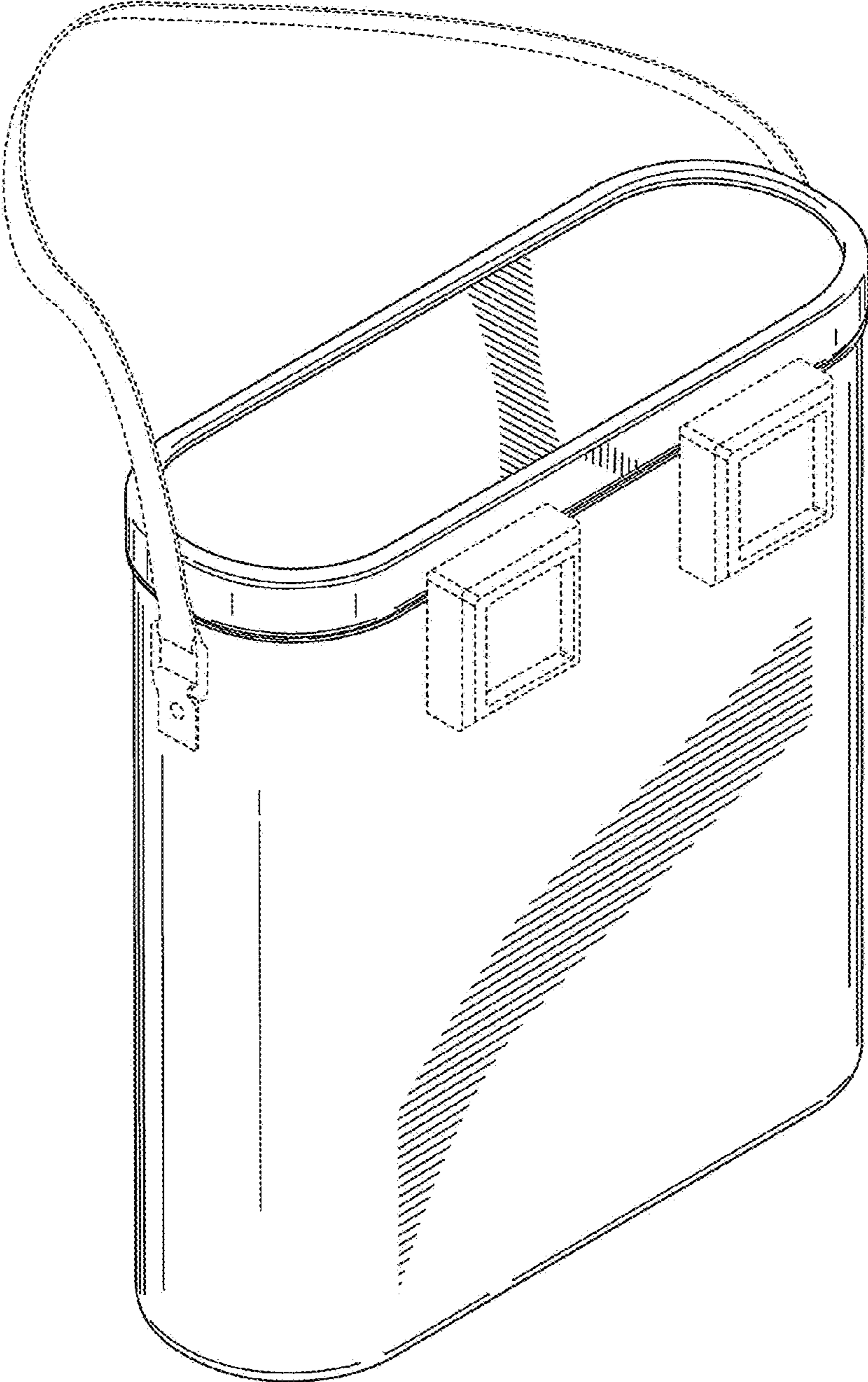


FIG. 11

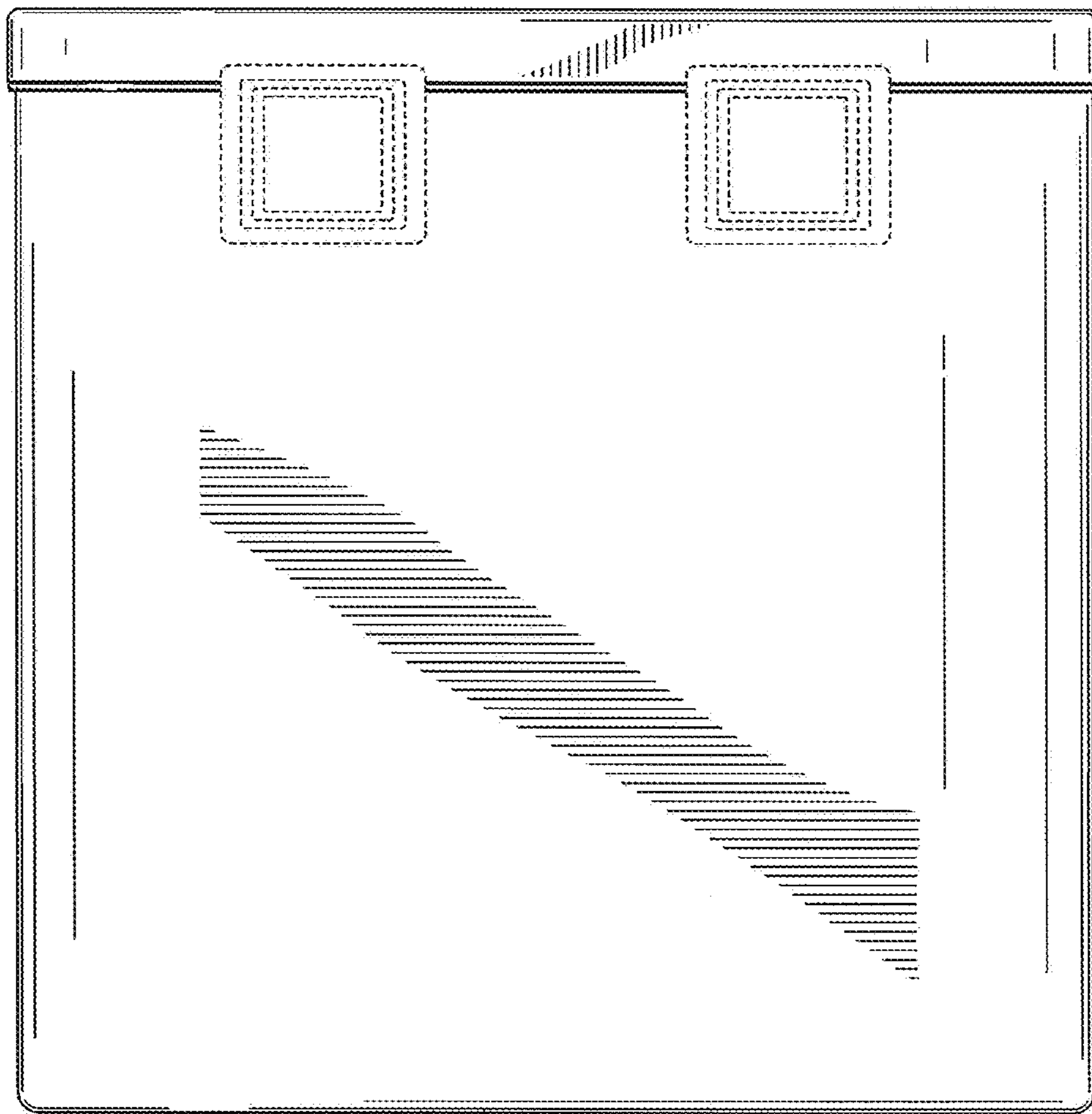


FIG. 12

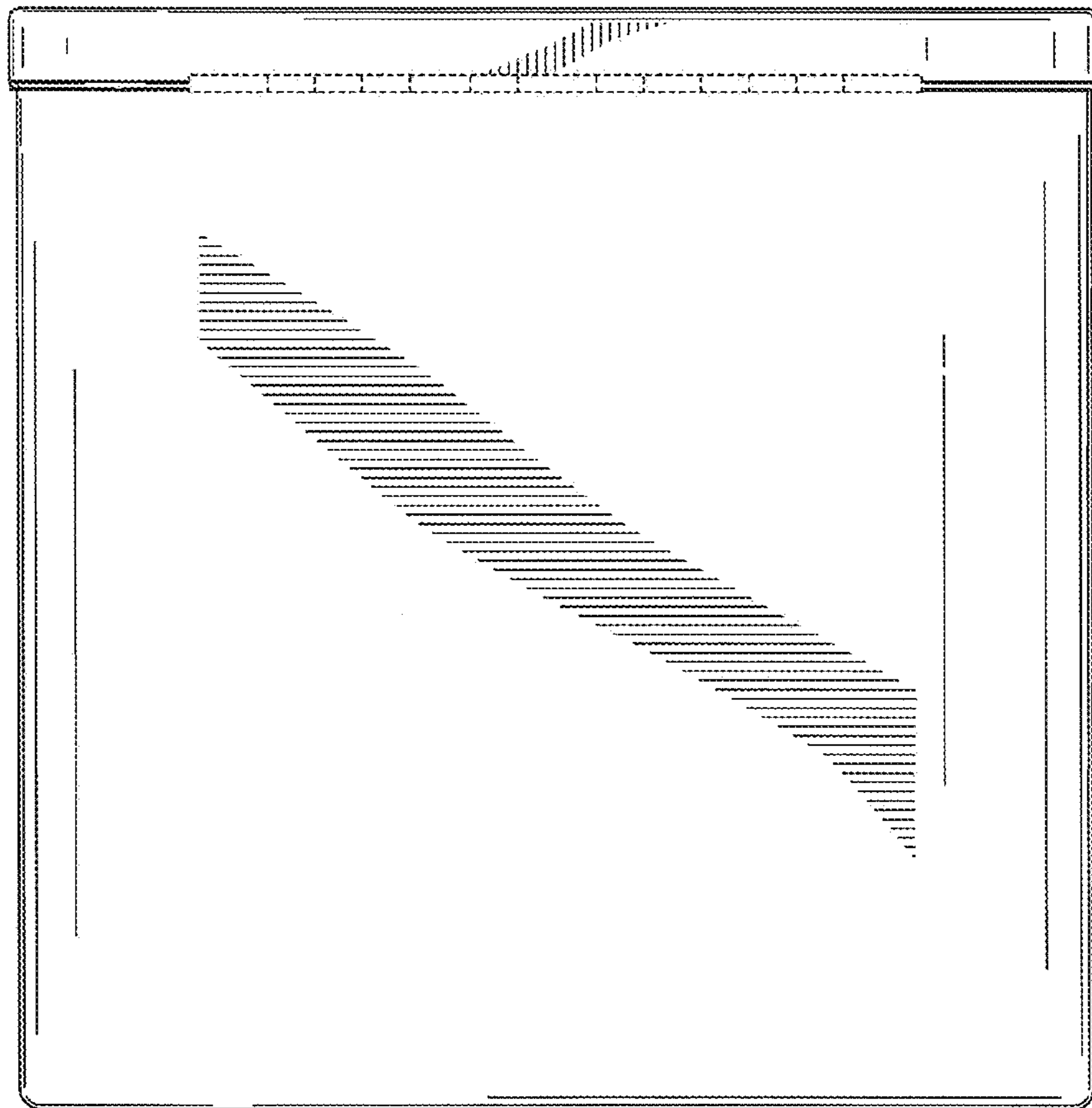


FIG. 13

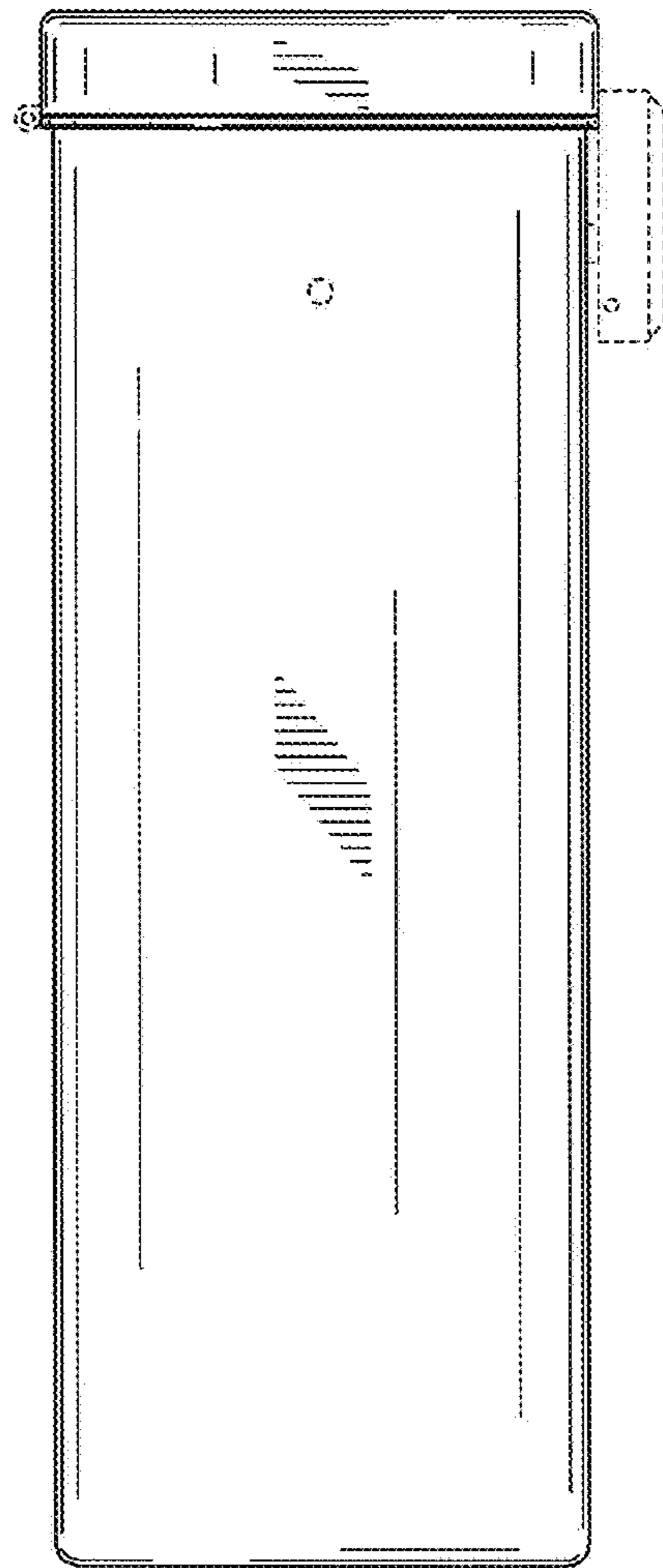


FIG. 14

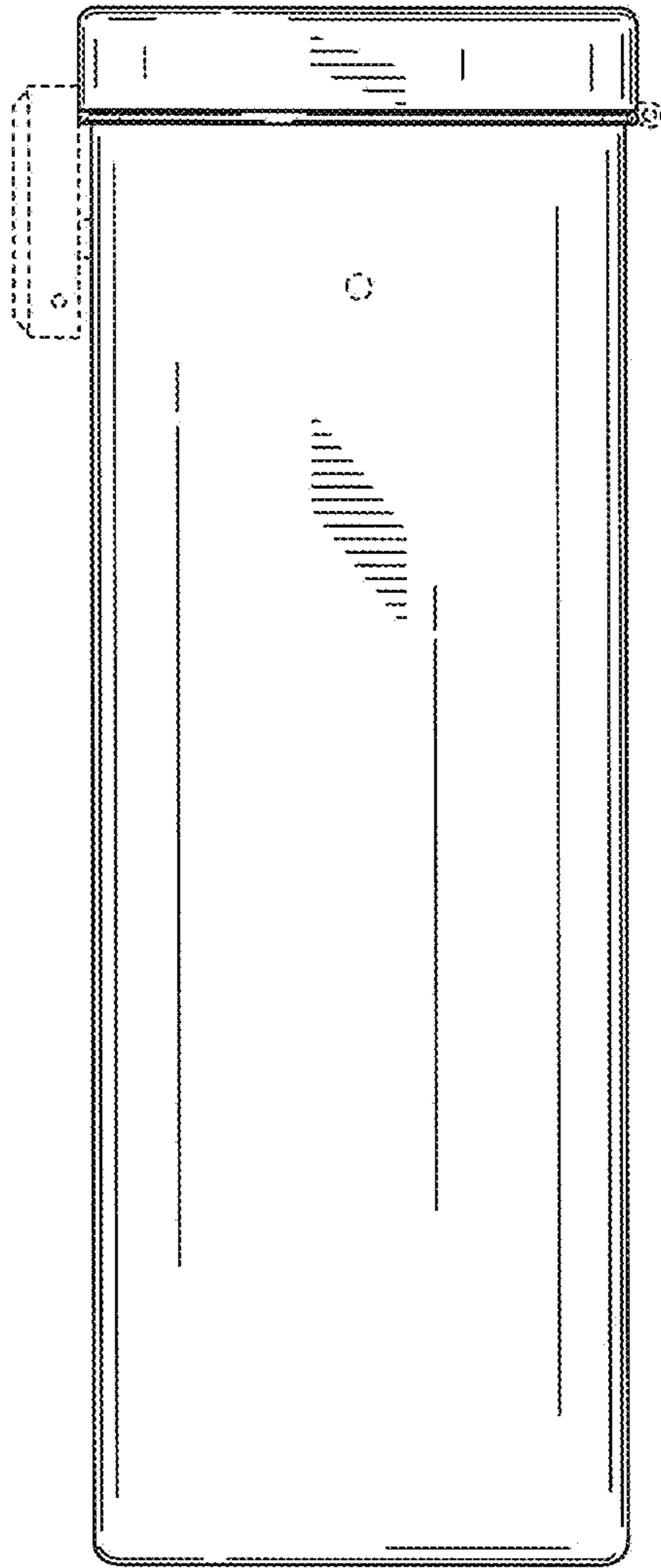


FIG. 15

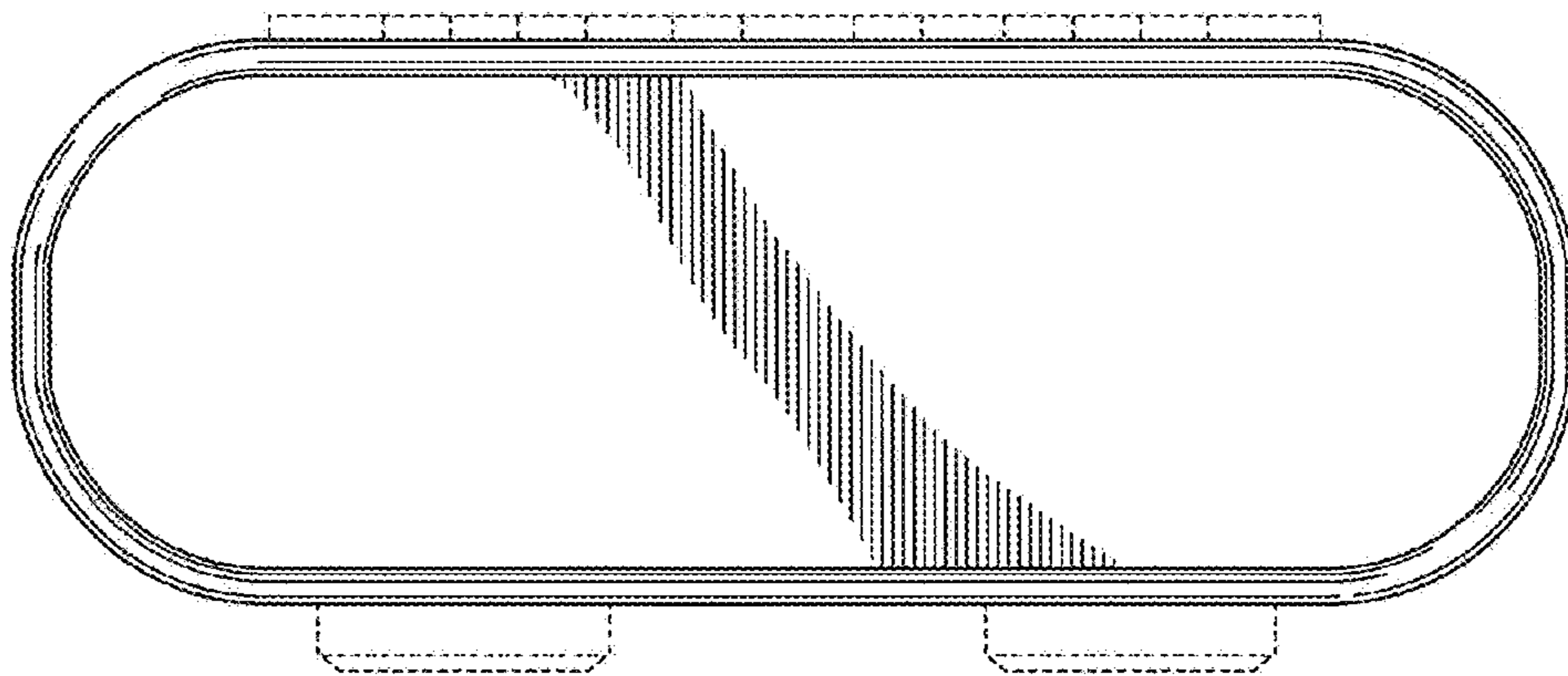


FIG. 16

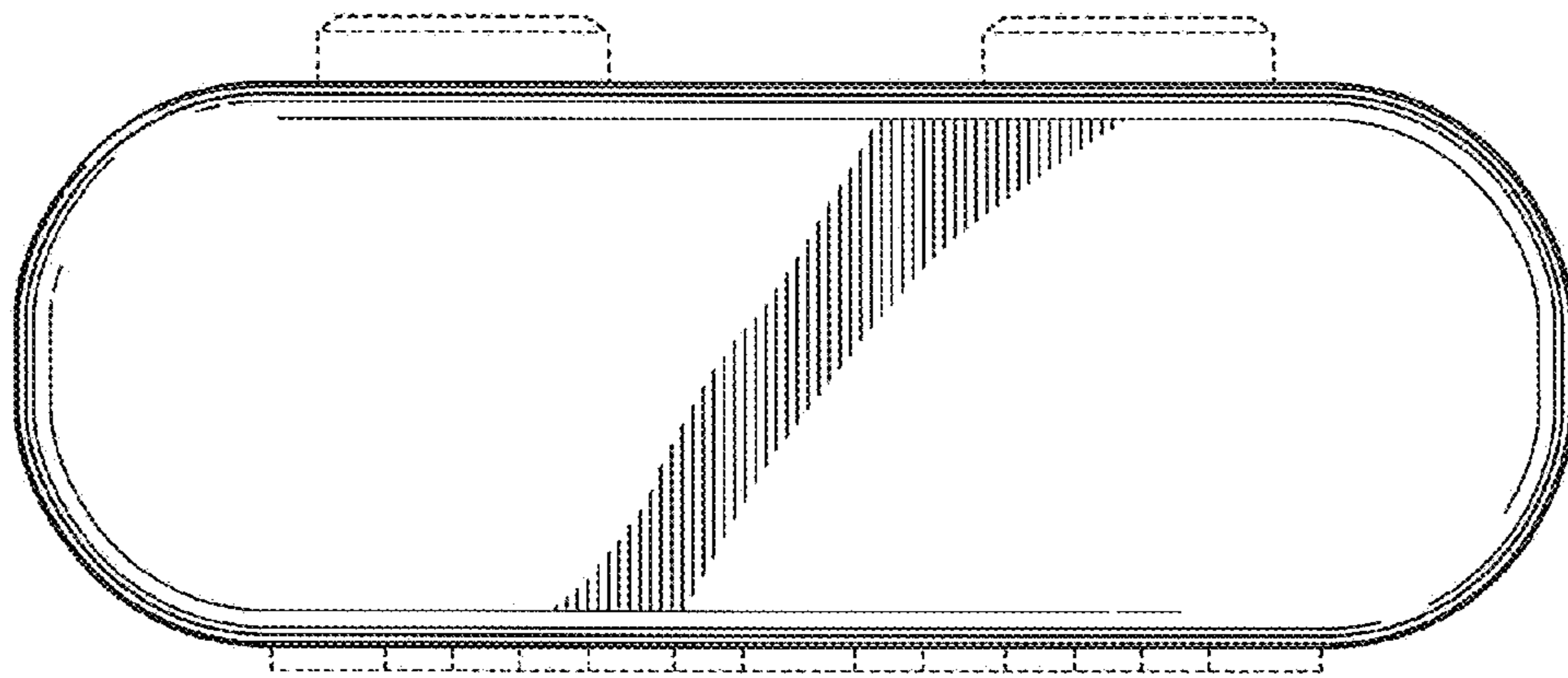


FIG. 17

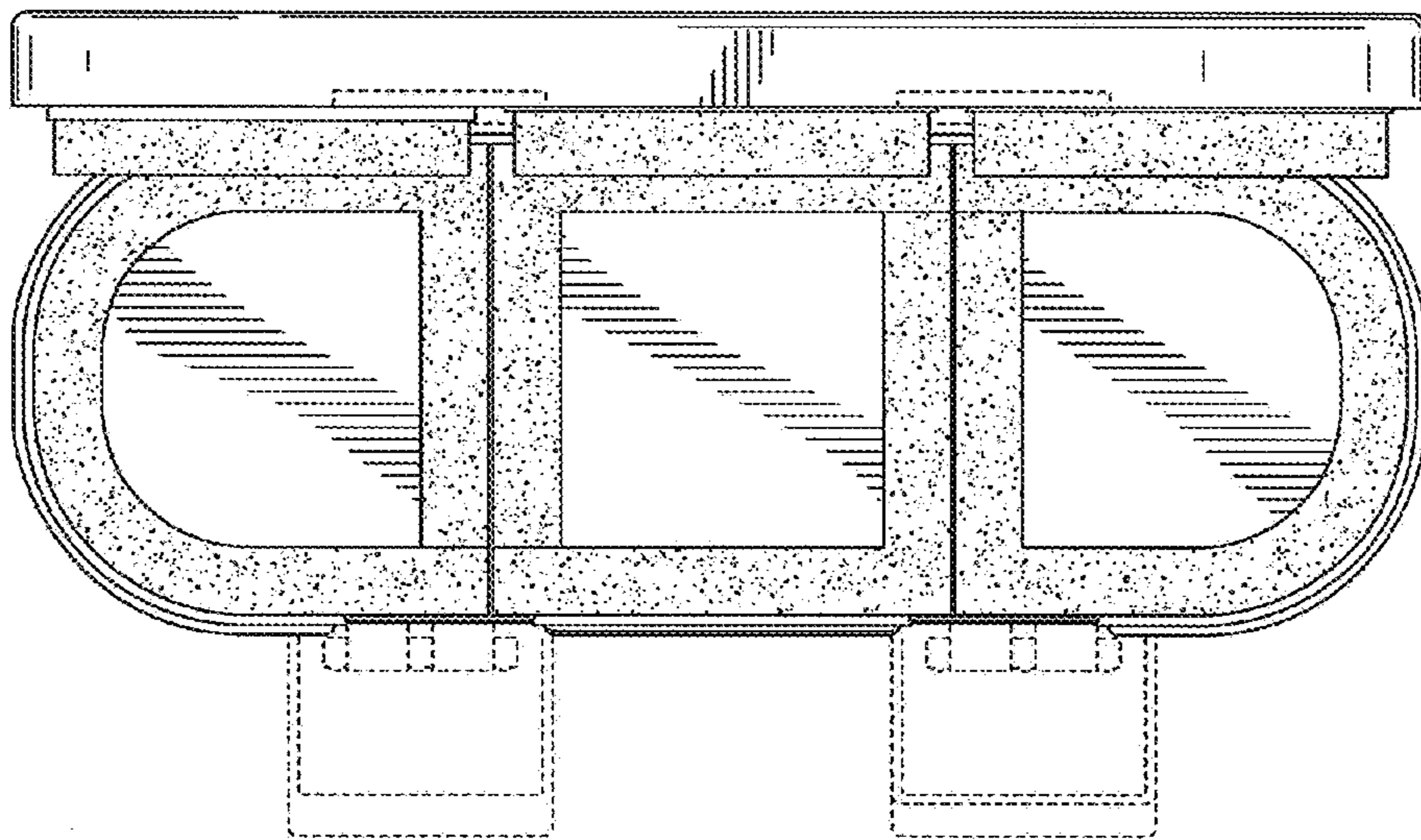


FIG. 18

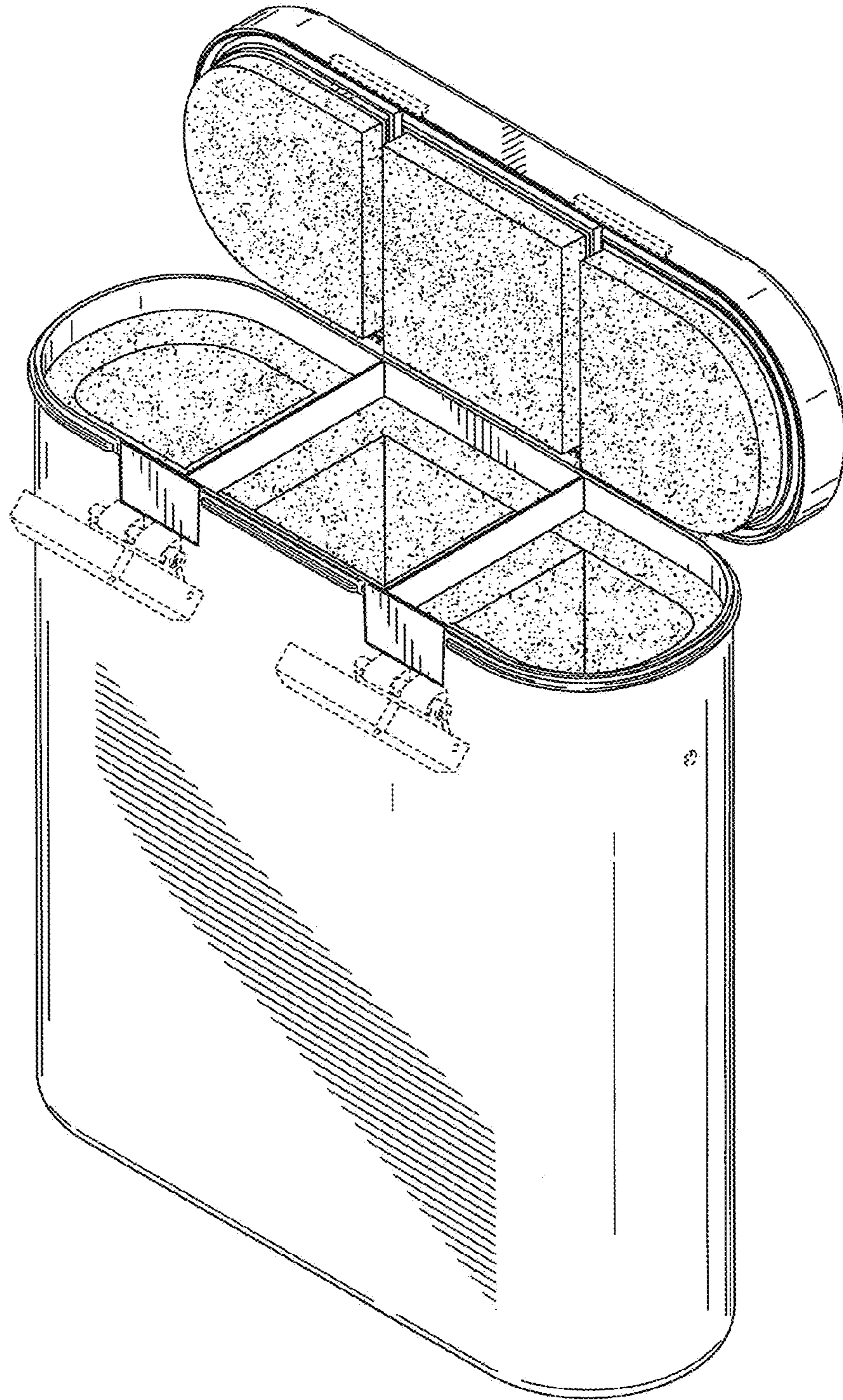


FIG. 19

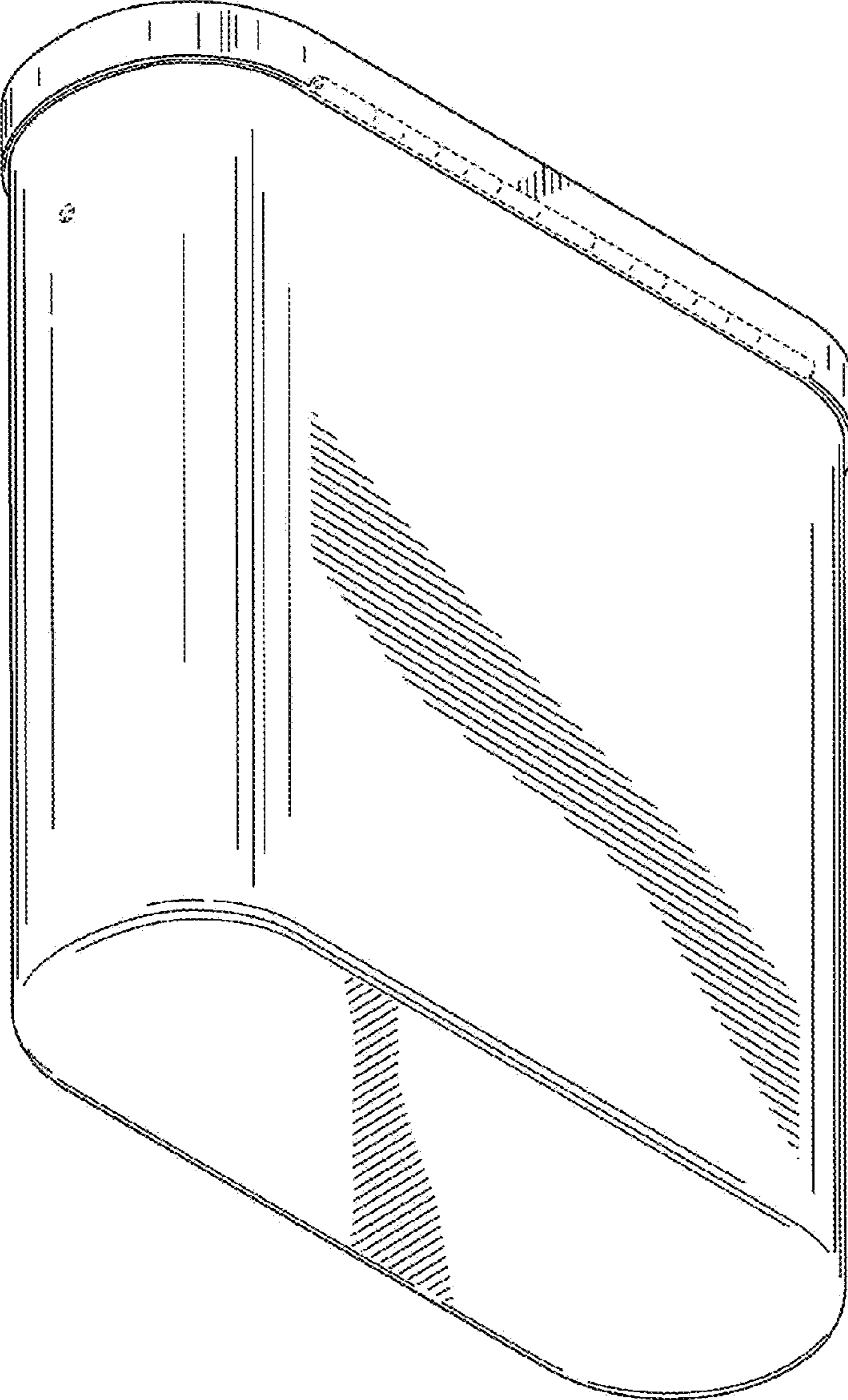


FIG. 20