



US00D716544S

(12) **United States Design Patent**
Fahnholz

(10) **Patent No.:** **US D716,544 S**

(45) **Date of Patent:** **** Nov. 4, 2014**

(54) **AMMUNITION POUCH**

(71) Applicant: **Dale Fahnholz**, Kearney, NE (US)

(72) Inventor: **Dale Fahnholz**, Kearney, NE (US)

(**) Term: **14 Years**

(21) Appl. No.: **29/457,823**

(22) Filed: **Jun. 13, 2013**

(51) **LOC (10) Cl.** **03-01**

(52) **U.S. Cl.**
USPC **D3/226; D3/225**

(58) **Field of Classification Search**
USPC D3/215, 221, 224–226, 228; 224/219,
224/222, 267, 269, 914, 931, 483, 666–668,
224/671, 674, 677, 67, 244–245, 544, 196,
224/185, 279; D27/103, 172, 186–188
See application file for complete search history.

(56) **References Cited**

U.S. PATENT DOCUMENTS

D286,315 S * 10/1986 Gregory D3/225
D410,331 S * 6/1999 Hamilton D3/221

6,000,589 A * 12/1999 Burdine 224/196
D455,548 S * 4/2002 Cragg D3/224
D463,117 S * 9/2002 Carter D3/226

* cited by examiner

Primary Examiner — Catheri Oliver-Garcia

(74) *Attorney, Agent, or Firm* — Matt Catlett

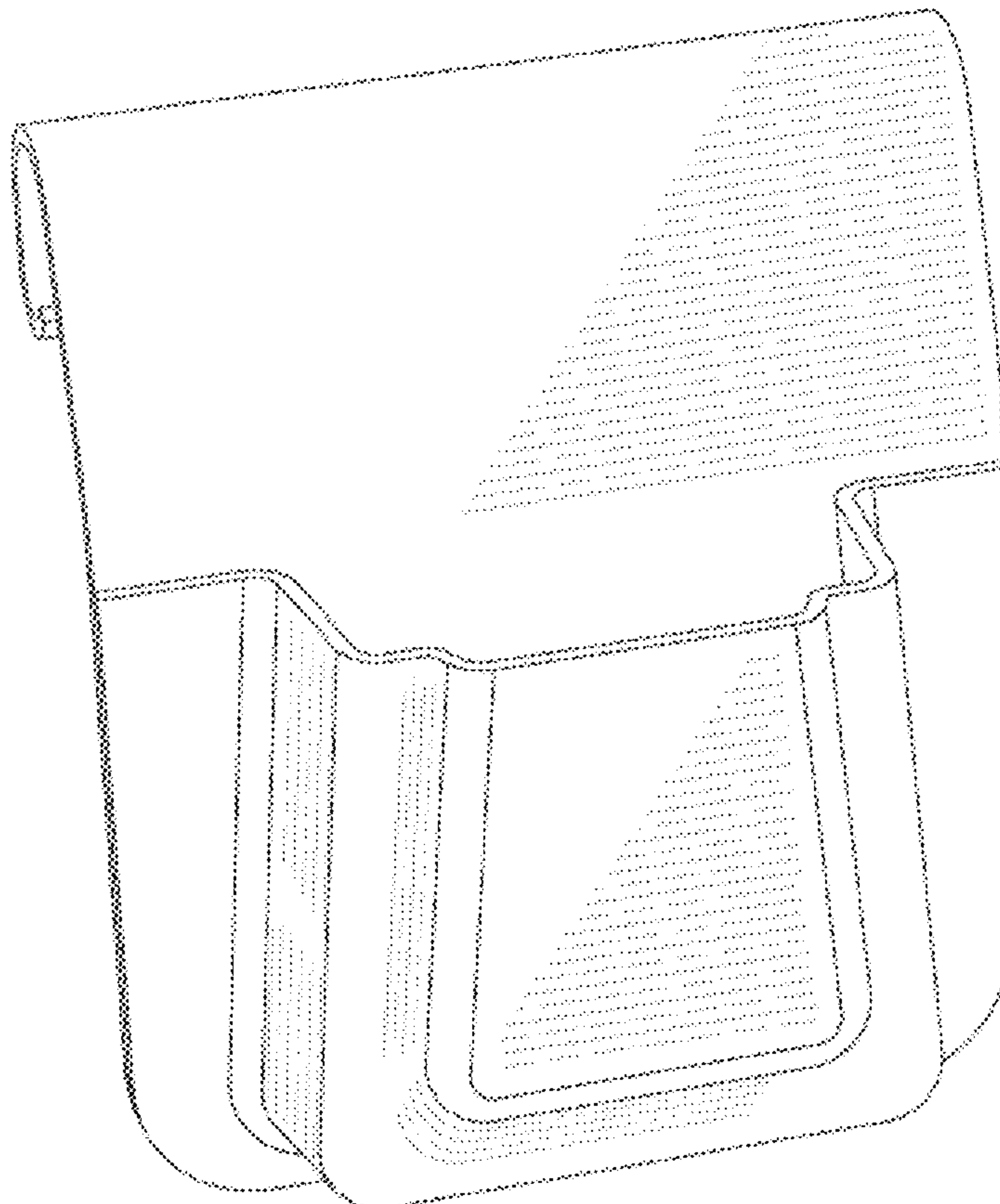
(57) **CLAIM**

I claim the ornamental design for a ammunition pouch, as shown and described.

DESCRIPTION

FIG. 1 is a front and left side perspective view of the ammunition pouch according to the new design.
FIG. 2 is a front and right side perspective view of the ammunition pouch according to the new design.
FIG. 3 is a top and front perspective view of the ammunition pouch according to the new design.
FIG. 4 is a front, left side, and bottom perspective view of the ammunition pouch according to the new design; and,
FIG. 5 is a rear and right side perspective view of the ammunition pouch according to the new design.

1 Claim, 5 Drawing Sheets



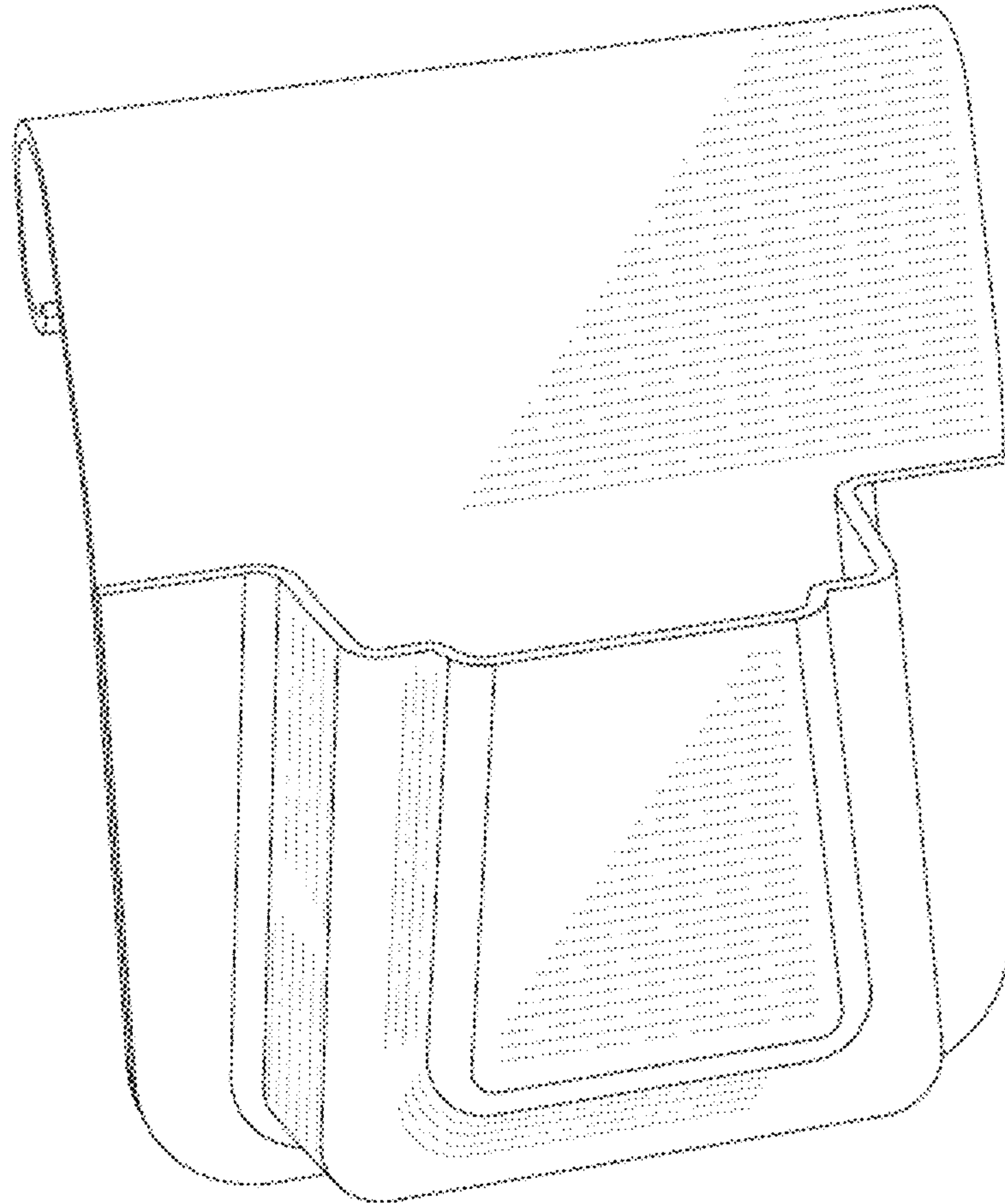


FIG. 1

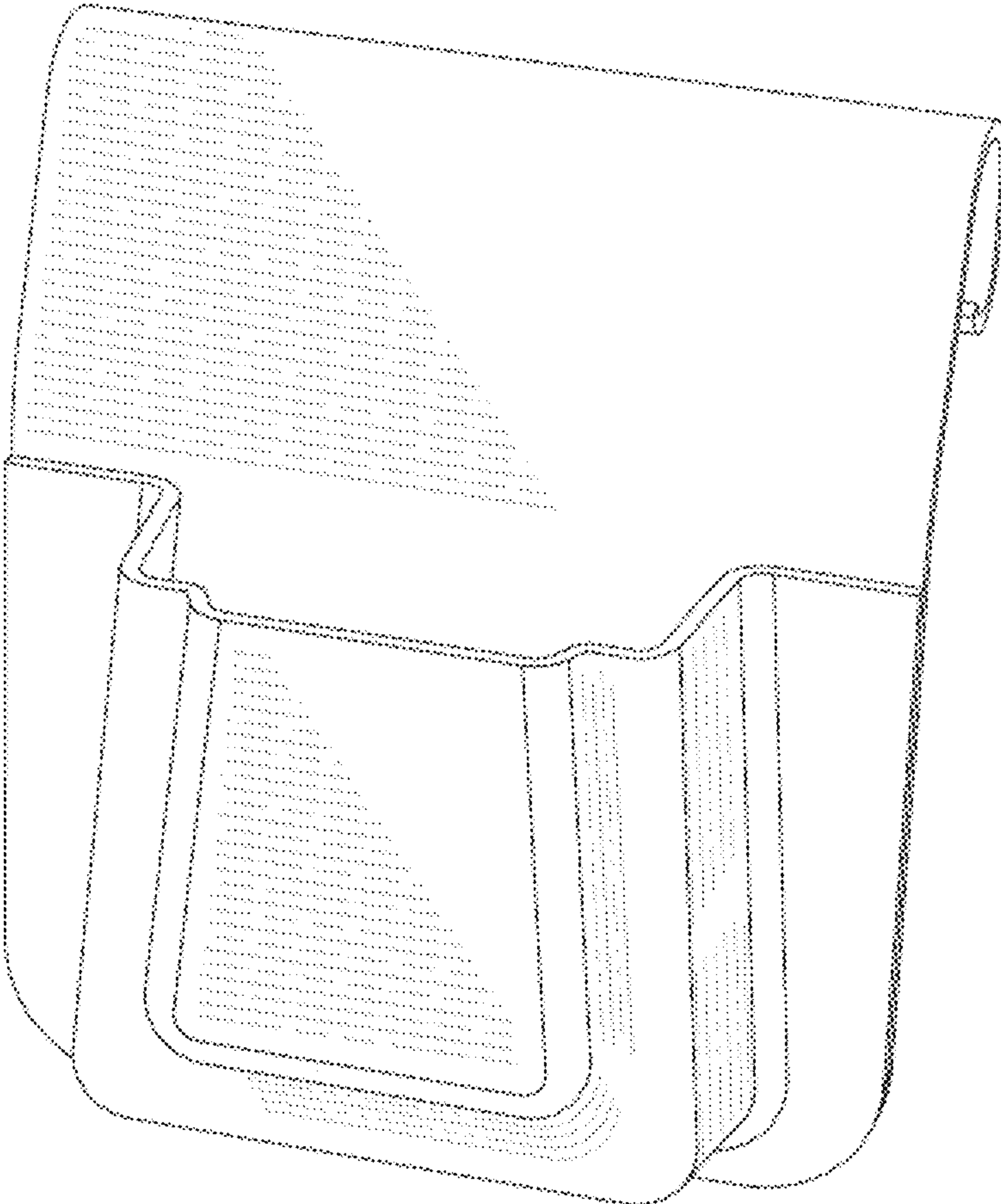


FIG. 2

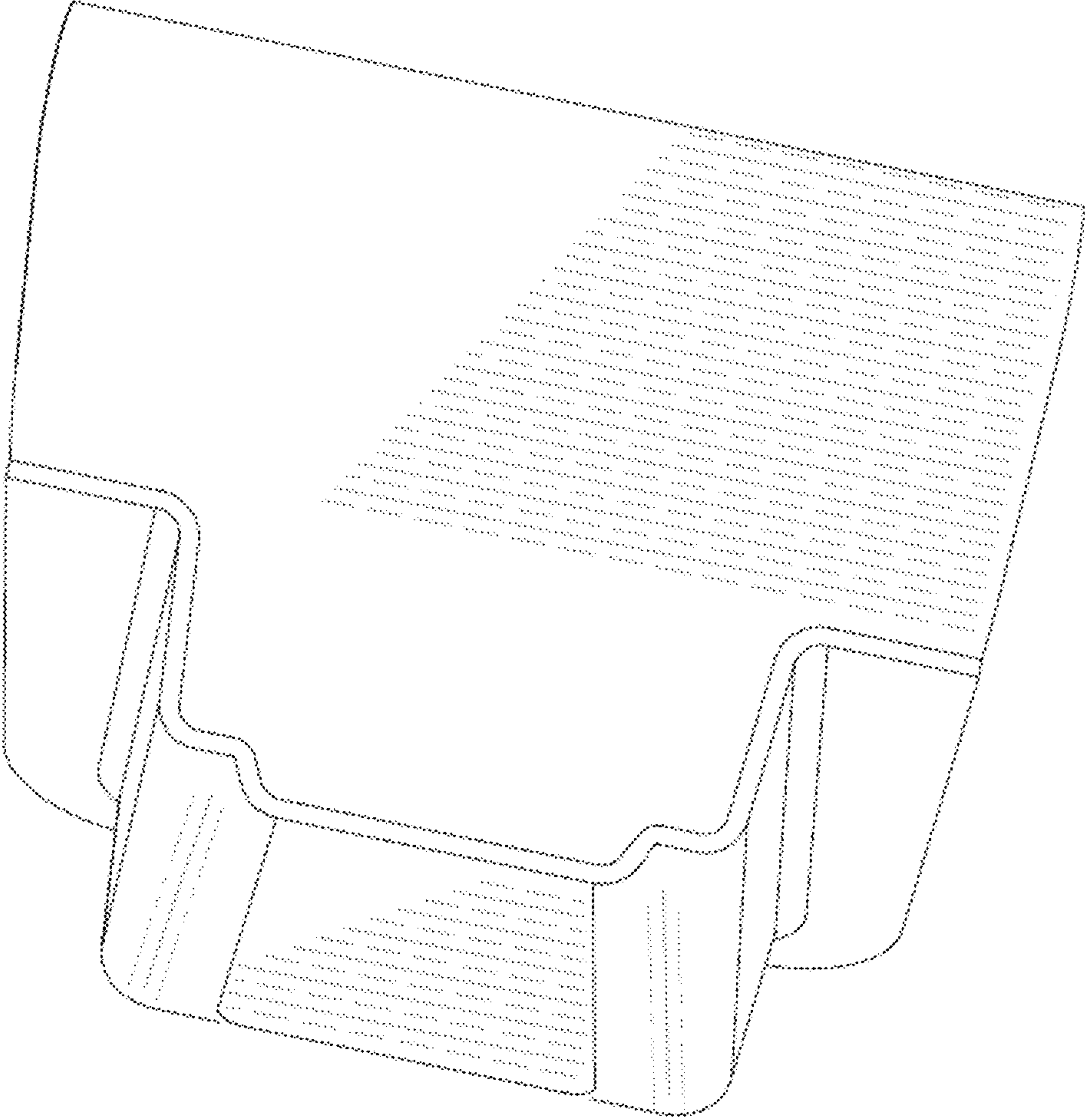


FIG. 3

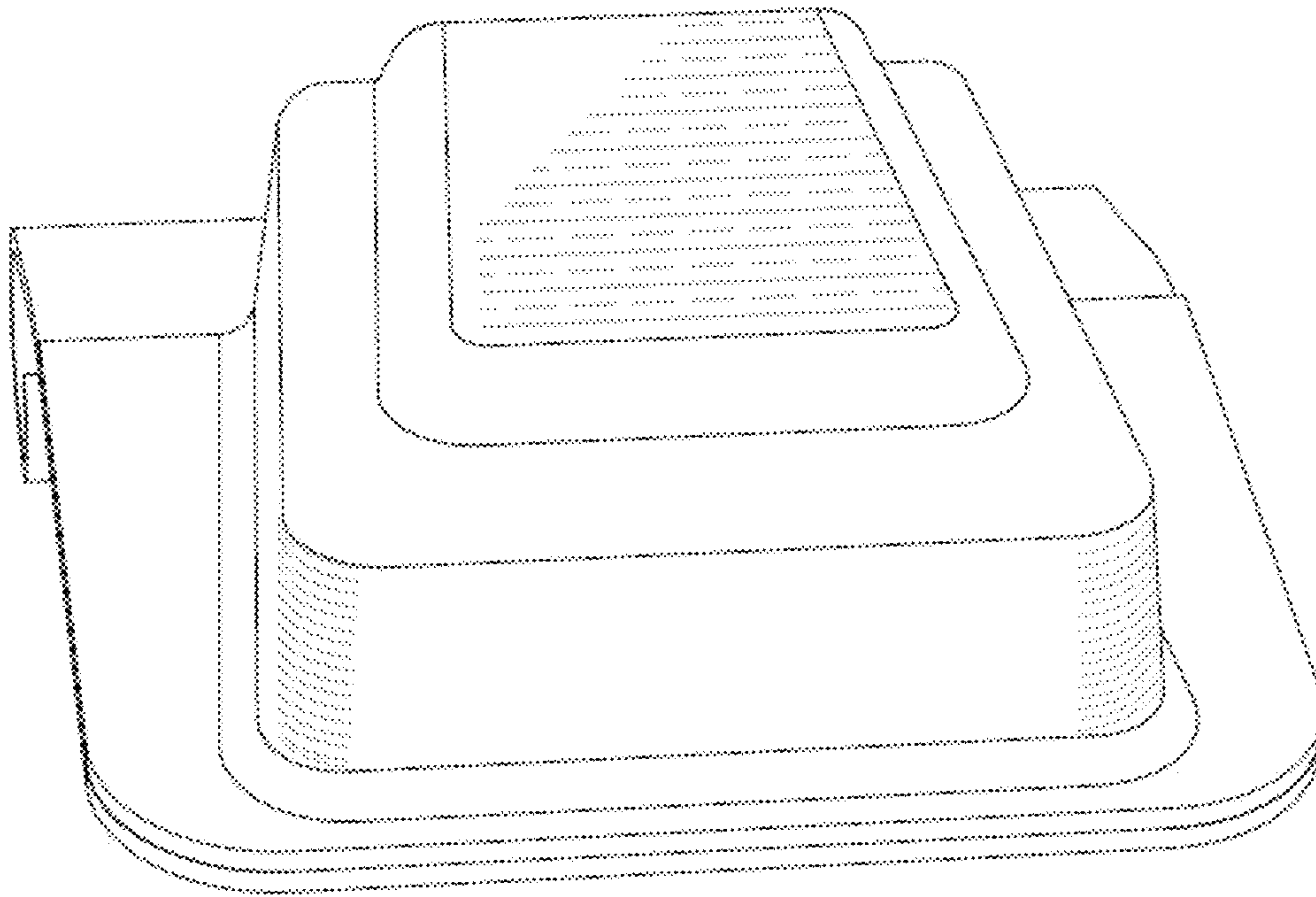


FIG. 4

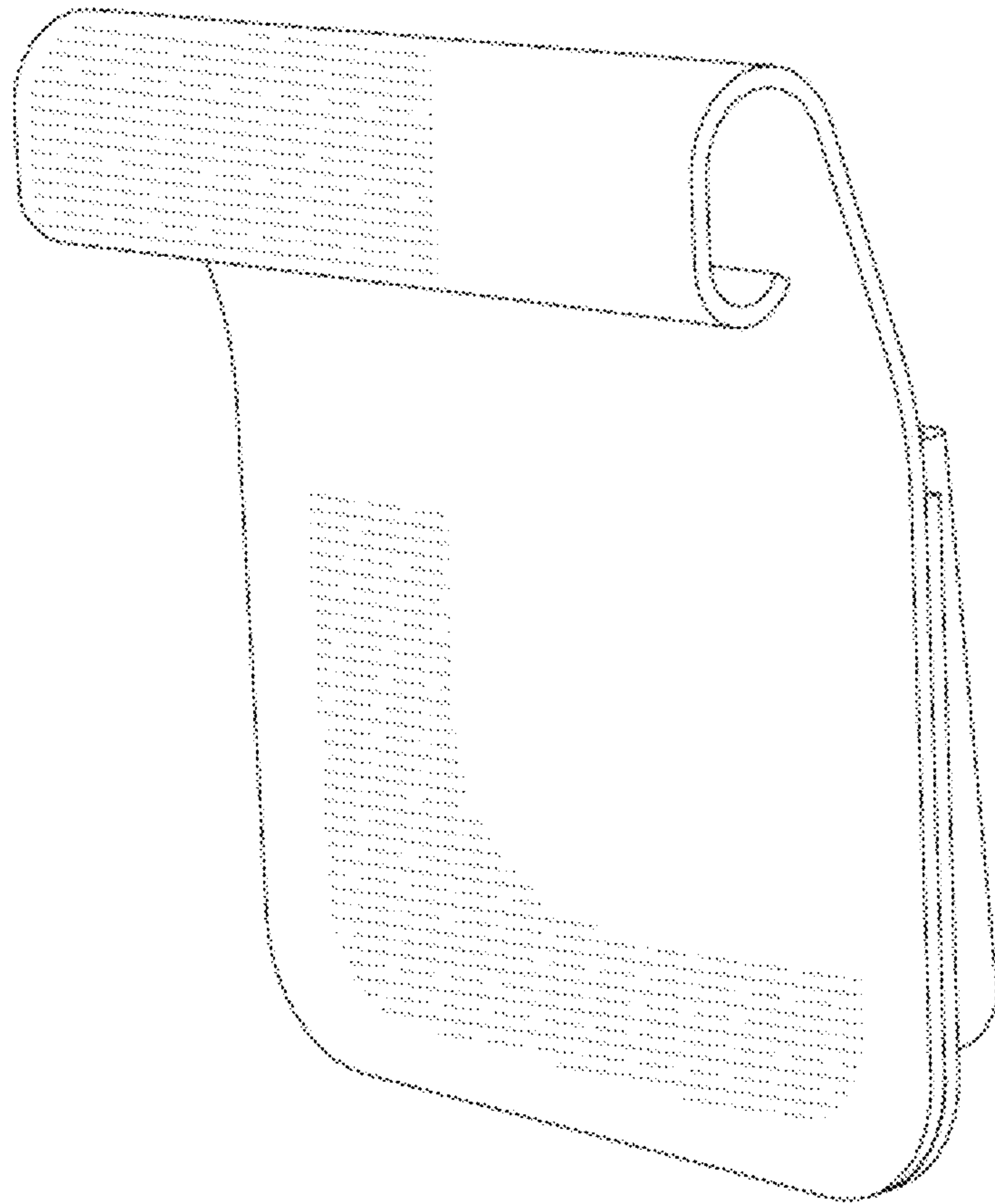


FIG. 5