



US00D716541S

(12) **United States Design Patent**  
**Patzak**

(10) **Patent No.:** **US D716,541 S**  
(45) **Date of Patent:** **\*\* Nov. 4, 2014**

(54) **FOOT PEDAL FOR A STANDING UMBRELLA**

(71) Applicant: **Peter K Patzak**, Darmstadt (DE)

(72) Inventor: **Peter K Patzak**, Darmstadt (DE)

(73) Assignee: **Glatz AG** (CH)

(\*\*) Term: **14 Years**

(21) Appl. No.: **29/455,127**

(22) Filed: **May 17, 2013**

(30) **Foreign Application Priority Data**

Feb. 11, 2013 (EM) ..... 002181990

(51) **LOC (10) Cl.** ..... **03-03**

(52) **U.S. Cl.**  
USPC ..... **D3/10**

(58) **Field of Classification Search**  
USPC ..... D3/5, 10, 12, 16, 17; 135/15.1, 25.4,  
135/27, 37, 16; 248/521  
See application file for complete search history.

(56) **References Cited**

**U.S. PATENT DOCUMENTS**

D457,418 S \* 5/2002 Ferrer Beltrán ..... D8/363  
D594,721 S \* 6/2009 Smith ..... D8/18  
D634,247 S \* 3/2011 Confer et al. .... D12/174  
2013/0306828 A1 \* 11/2013 Volin ..... 248/521

**OTHER PUBLICATIONS**

Glatz AG, Standing Umbrella Foot Pedal (4 photographs), Sep. 2004.

\* cited by examiner

*Primary Examiner* — John Windmuller

(74) *Attorney, Agent, or Firm* — George Pappas

(57) **CLAIM**

I claim the ornamental design for a foot pedal for a standing umbrella, as shown and described.

**DESCRIPTION**

FIG. 1 is side elevation view of a standing umbrella and showing my new design;

FIG. 2 is a perspective view of my design shown in FIG. 1; FIG. 3 is a left side elevation view of my design shown in FIG. 1;

FIG. 4 is a right side elevation view of my design shown in FIG. 1;

FIG. 5 is a rear view of my design shown in FIG. 1;

FIG. 6 is a front view of my design shown in FIG. 1;

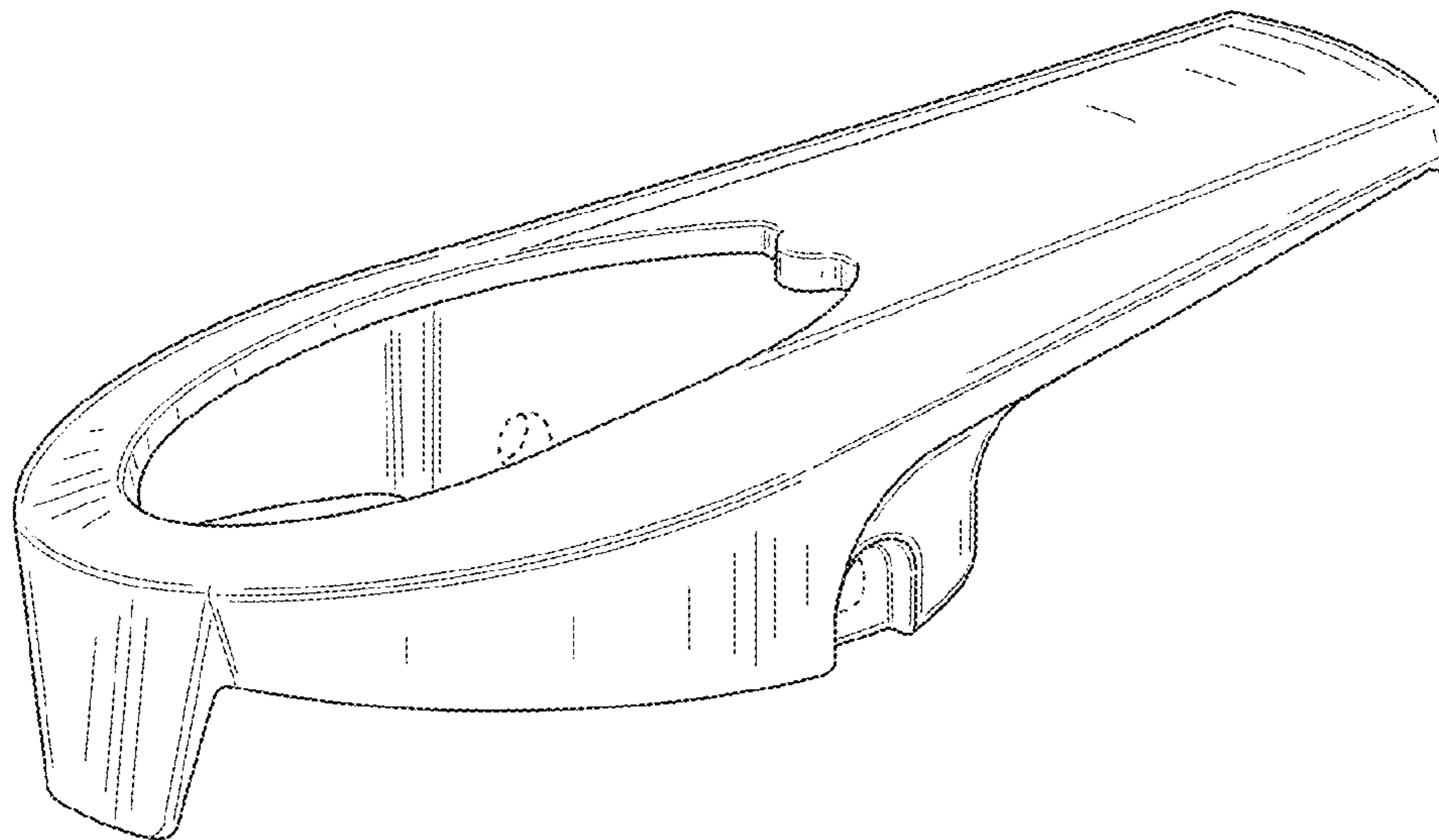
FIG. 7 is a top view of my design shown in FIG. 1; and,

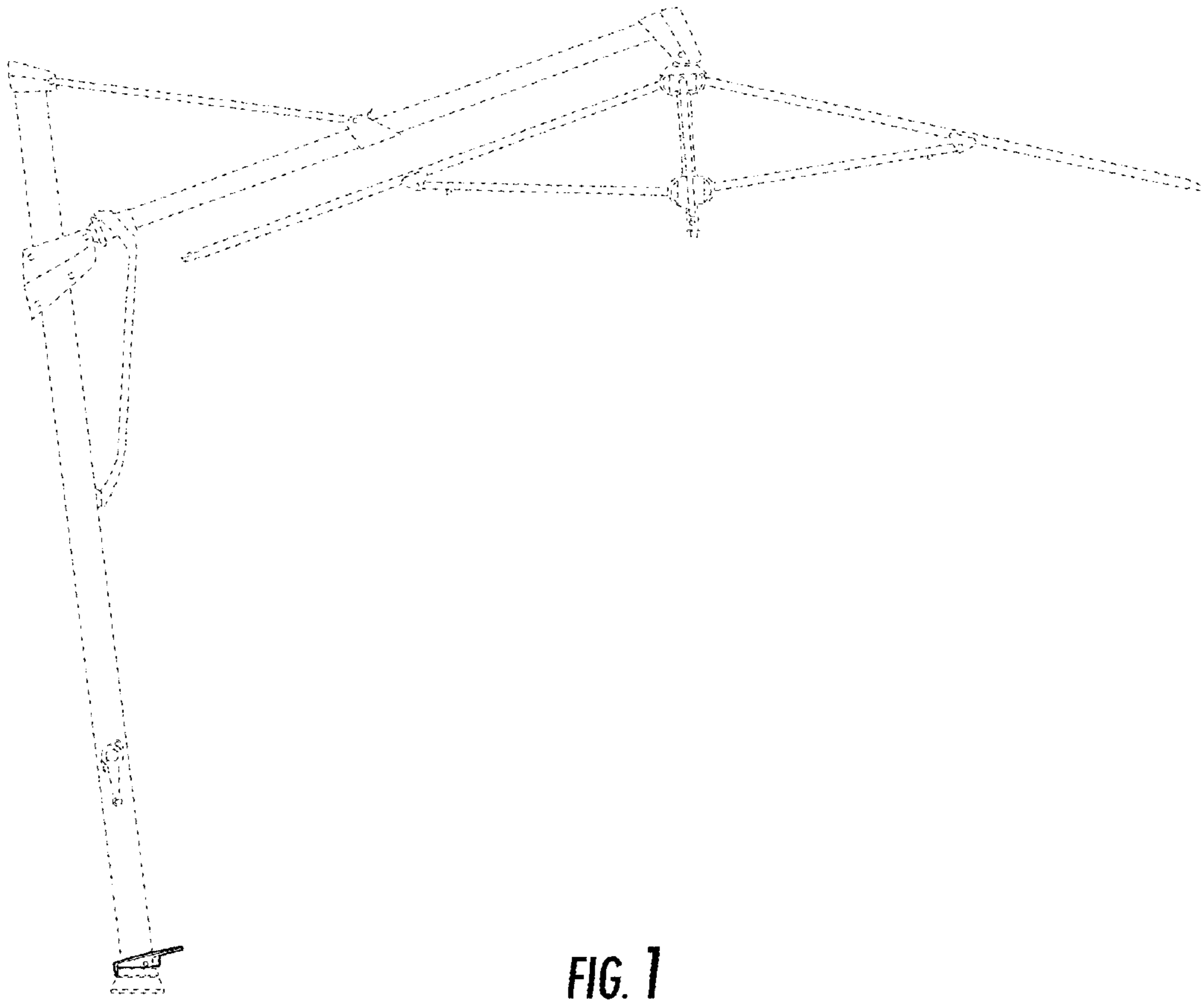
FIG. 8 is a bottom view of my design shown in FIG. 1.

The broken lines showing environment are for illustrative purposes only and form no part of the claimed design.

The article in which the design is embodied is a foot pedal used for controlling the rotation of an upright support rod of a standing umbrella.

**1 Claim, 8 Drawing Sheets**





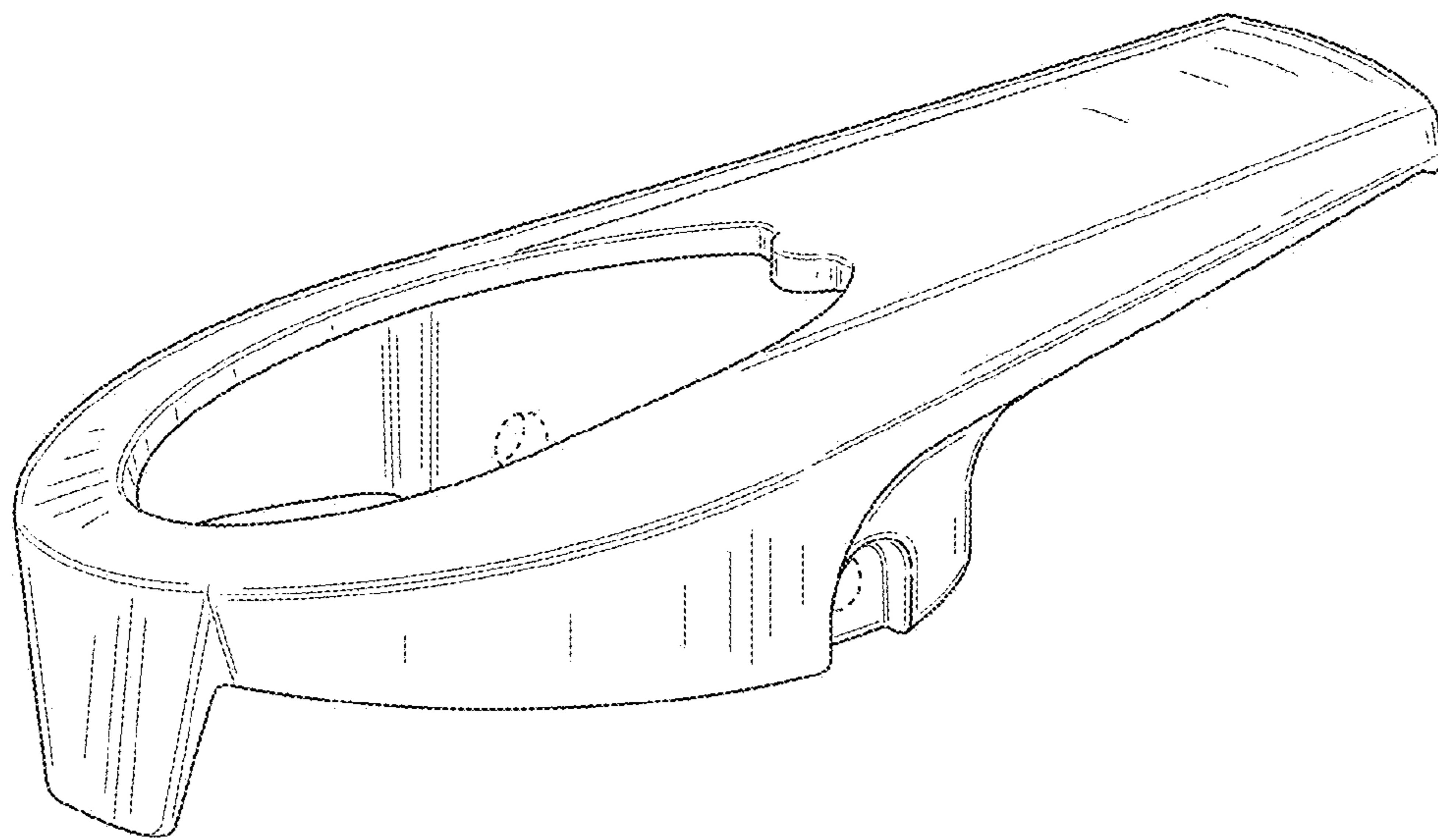
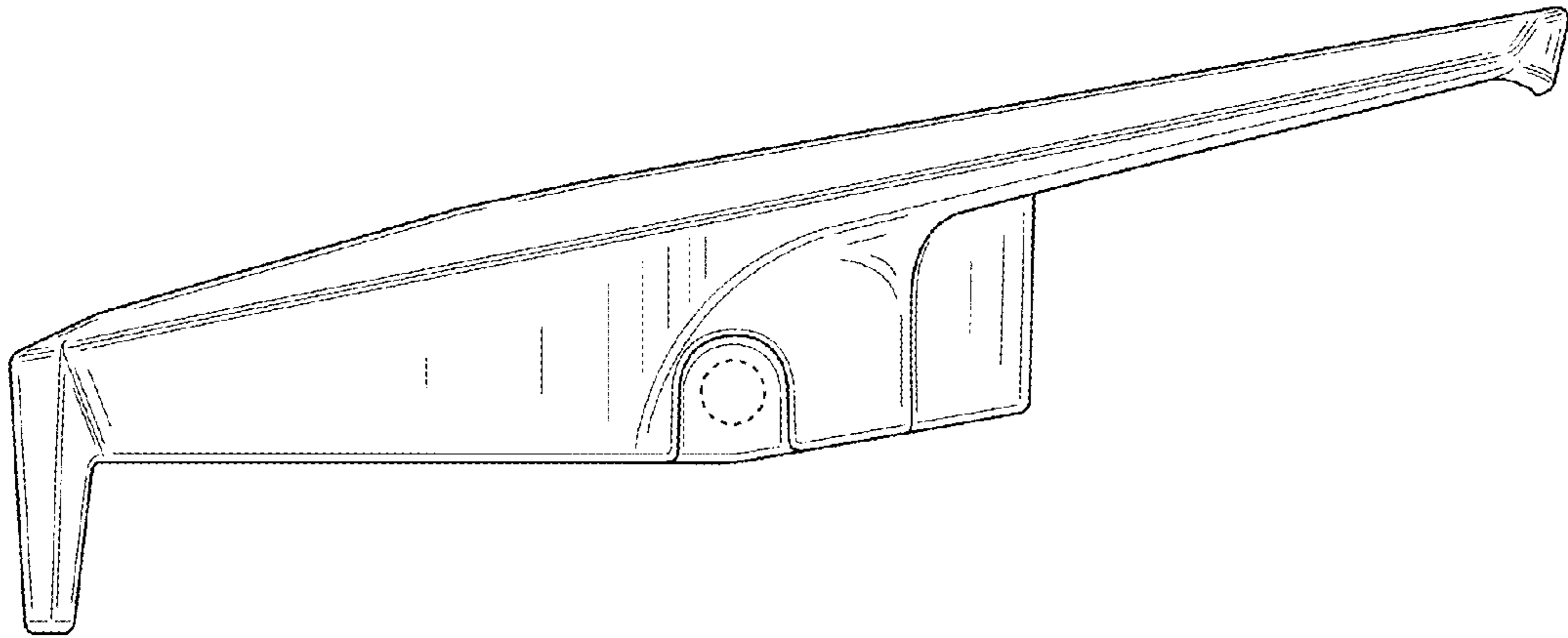


FIG. 2



**FIG. 3**

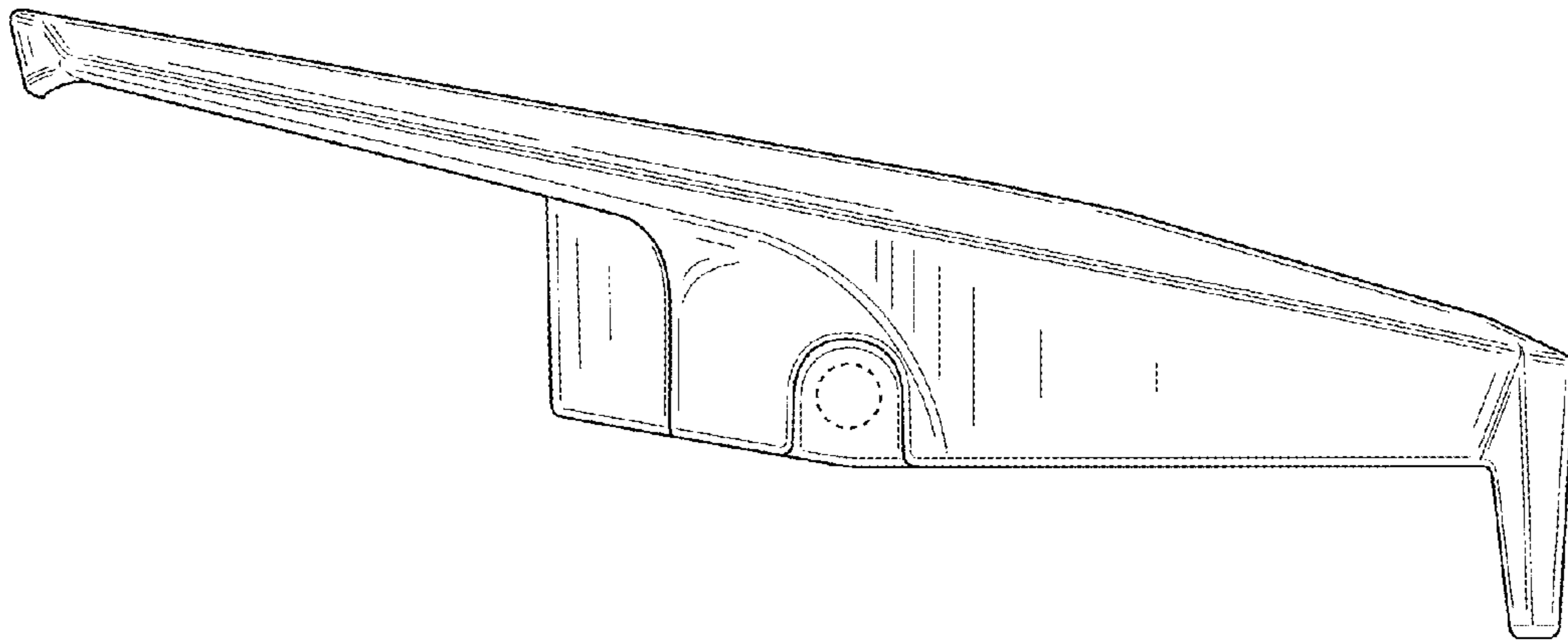
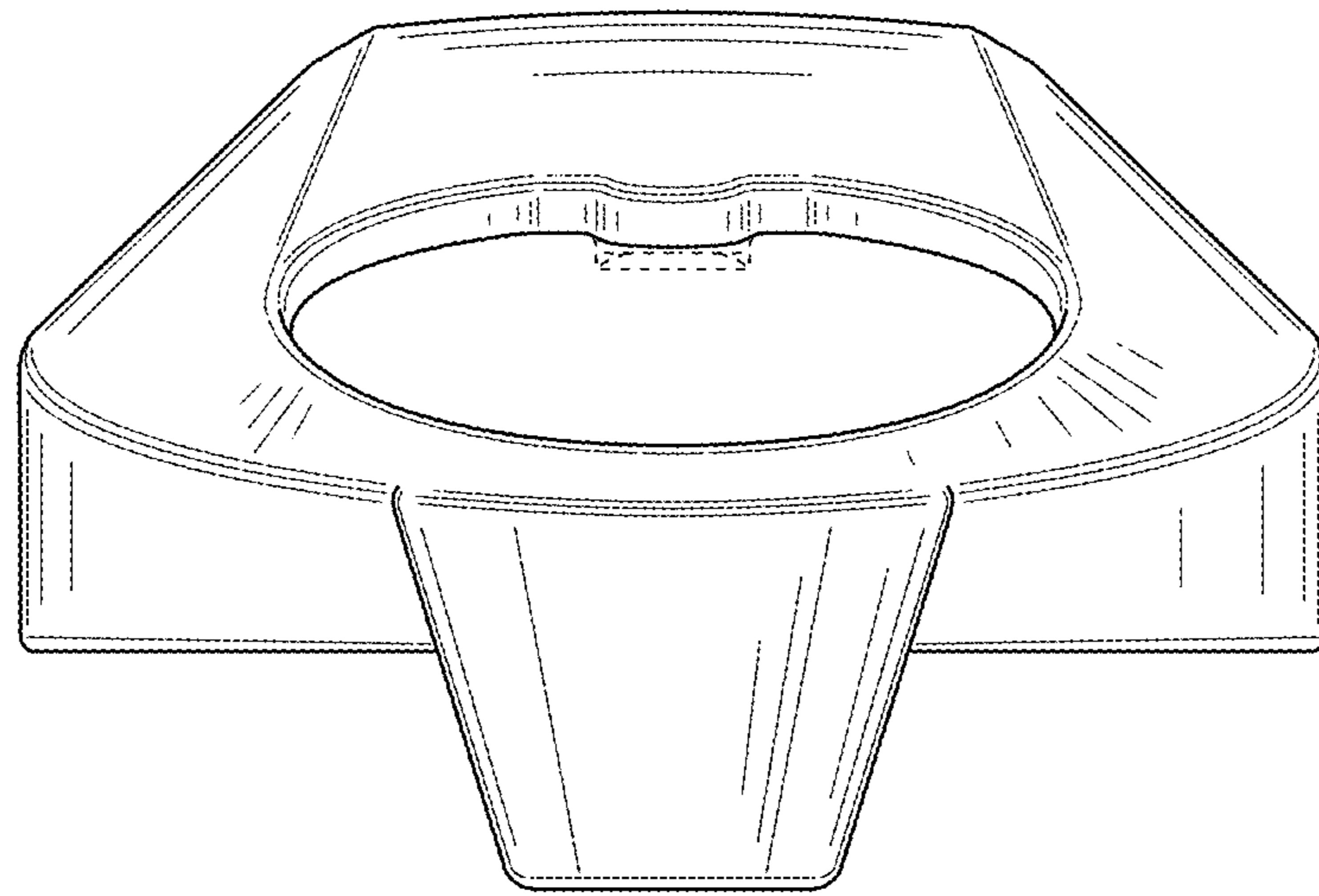
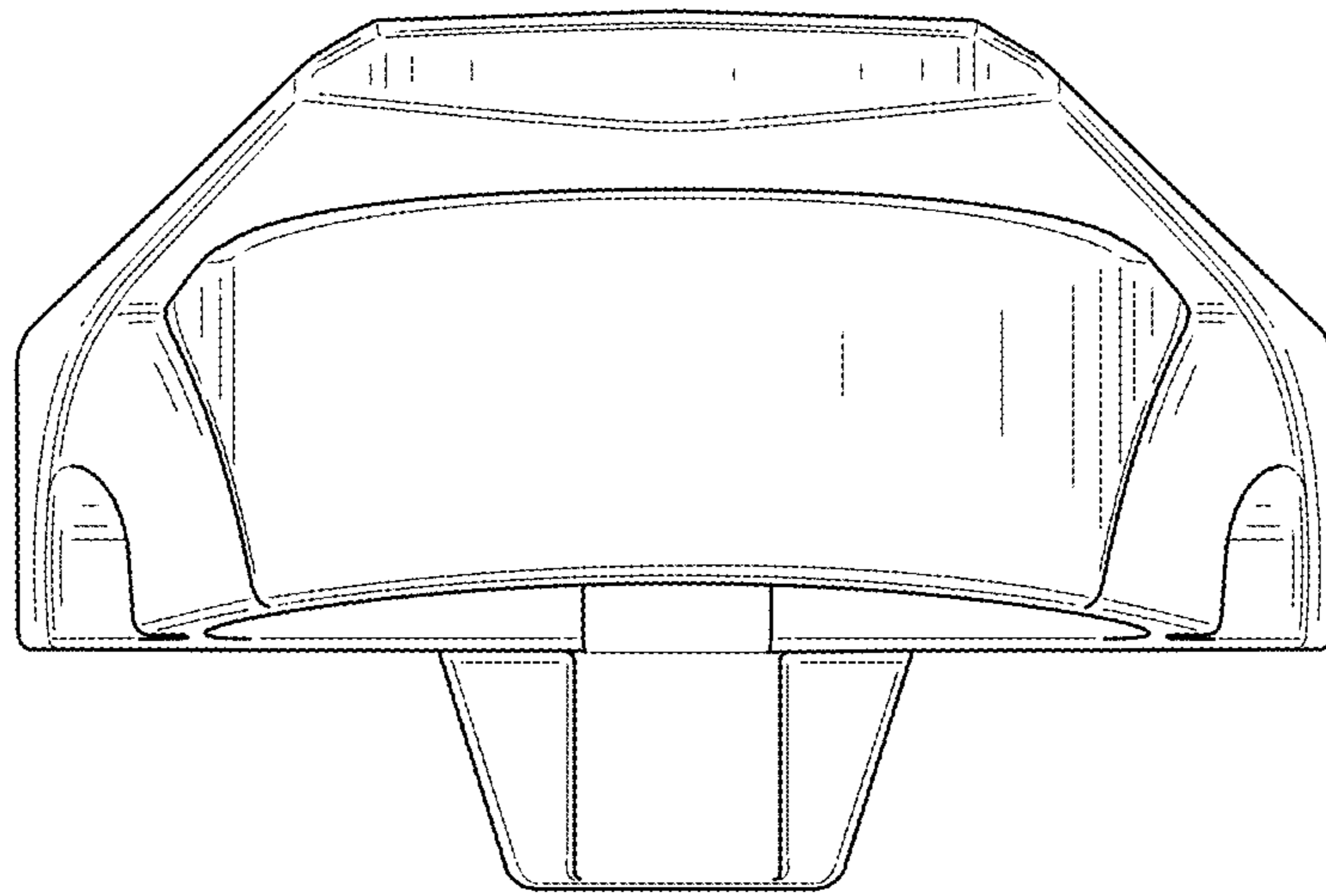


FIG. 4



**FIG. 5**



**FIG. 6**

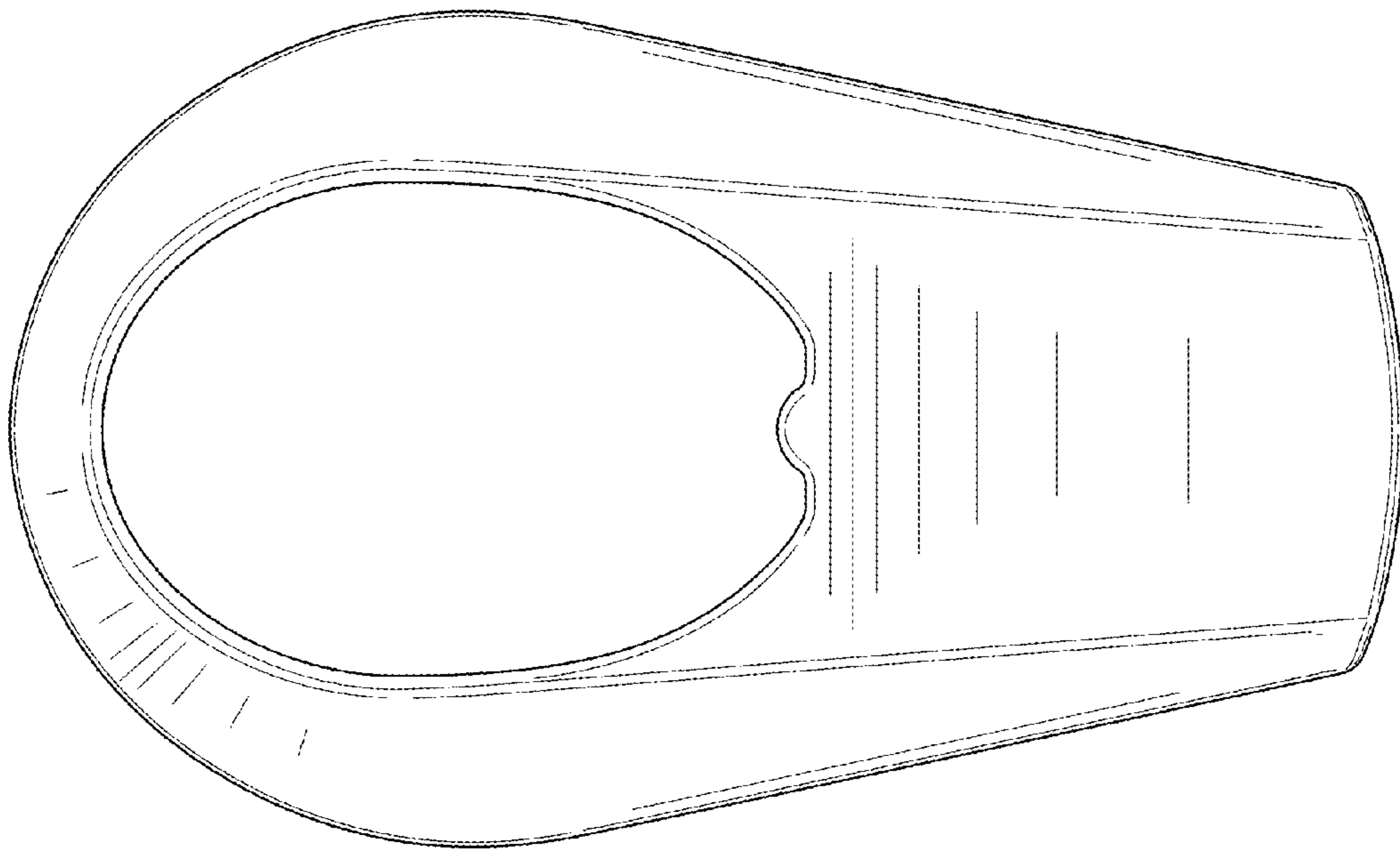


FIG. 7



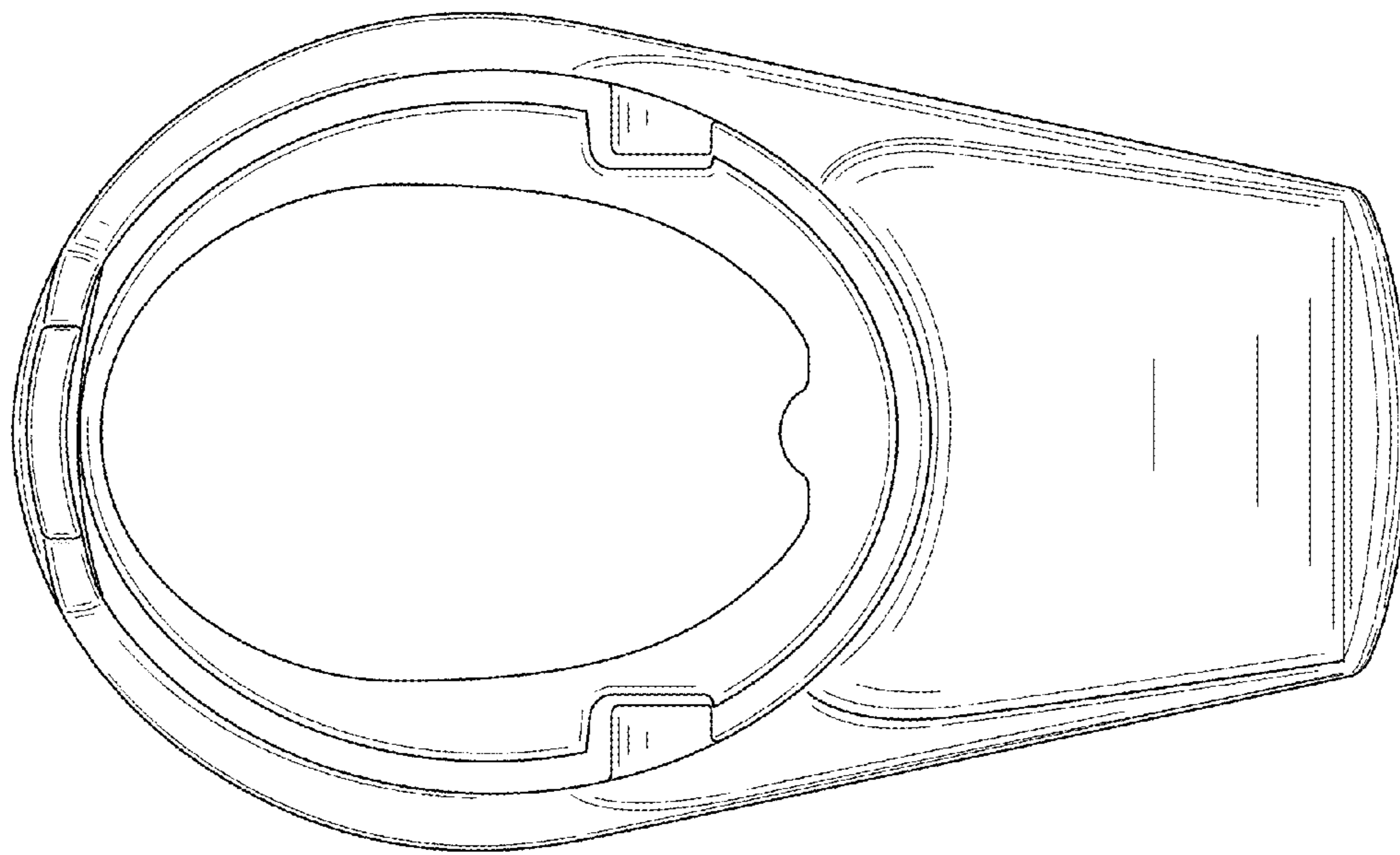


FIG. 8