



US00D716538S

(12) **United States Design Patent**
Wang

(10) **Patent No.:** **US D716,538 S**
(45) **Date of Patent:** **** Nov. 4, 2014**

(54) **HEEL OF A SHOE**

(71) Applicant: **Yuan Wang**, Shanghai (CN)

(72) Inventor: **Yuan Wang**, Shanghai (CN)

(**) Term: **14 Years**

(21) Appl. No.: **29/447,815**

(22) Filed: **Mar. 7, 2013**

(51) **LOC (10) Cl.** **02-04**

(52) **U.S. Cl.**
USPC **D2/965**

(58) **Field of Classification Search**

USPC D2/896, 909-915, 925-942, 964-966,
D2/973; D6/708, 708.1, 708.11-708.19,
D6/708.2, 708.21, 708.23-708.25, 709,
D6/709.1, 709.2; 36/34 R, 35 A, 35 R, 36 R,
36/36 A-36 C, 37, 38

See application file for complete search history.

(56) **References Cited**

U.S. PATENT DOCUMENTS

D100,287 S *	7/1936	Rauh	D2/930
D112,781 S *	1/1939	Marcello	D2/939
D122,124 S *	8/1940	Korda	D2/966
2,713,731 A *	7/1955	Cangemi	36/34 R
5,765,295 A *	6/1998	Srourian et al.	36/24.5

OTHER PUBLICATIONS

Yves Saint Laurent Cage Boots, announced May 2009, [online], site visited Jun. 21, 2014. Available from Internet, <URL: <http://www.madisonavespy.blogspot.com>>.*

* cited by examiner

Primary Examiner — Stella Reid

Assistant Examiner — Janice Lim

(74) *Attorney, Agent, or Firm* — IPro, Inc.; Na Xu

(57) **CLAIM**

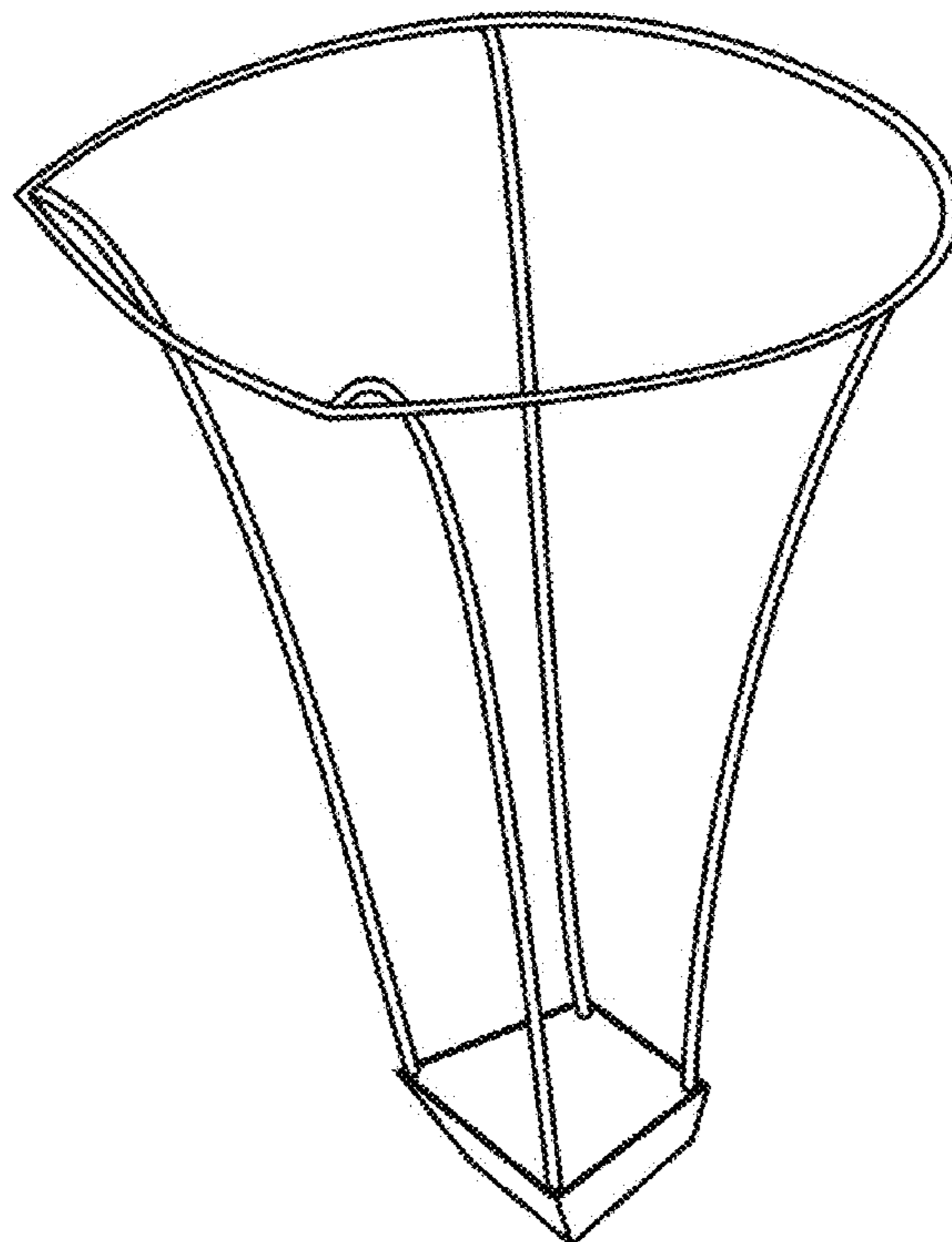
The ornamental design for a heel of a shoe, as shown and described.

DESCRIPTION

FIG. 1 is a top perspective view of a heel of a shoe, showing my new design;
FIG. 2 is a front perspective view thereof;
FIG. 3 is a rear perspective view thereof;
FIG. 4 is a left side perspective view thereof, the right side perspective view being a mirror image thereof;
FIG. 5 is a top view thereof;
FIG. 6 is a bottom view thereof; and,
FIG. 7 is a left side perspective view thereof, shown in the environmental use.

The broken line portions of FIG. 7 are included to show environmental use only and do not form any part of the claimed design.

1 Claim, 4 Drawing Sheets



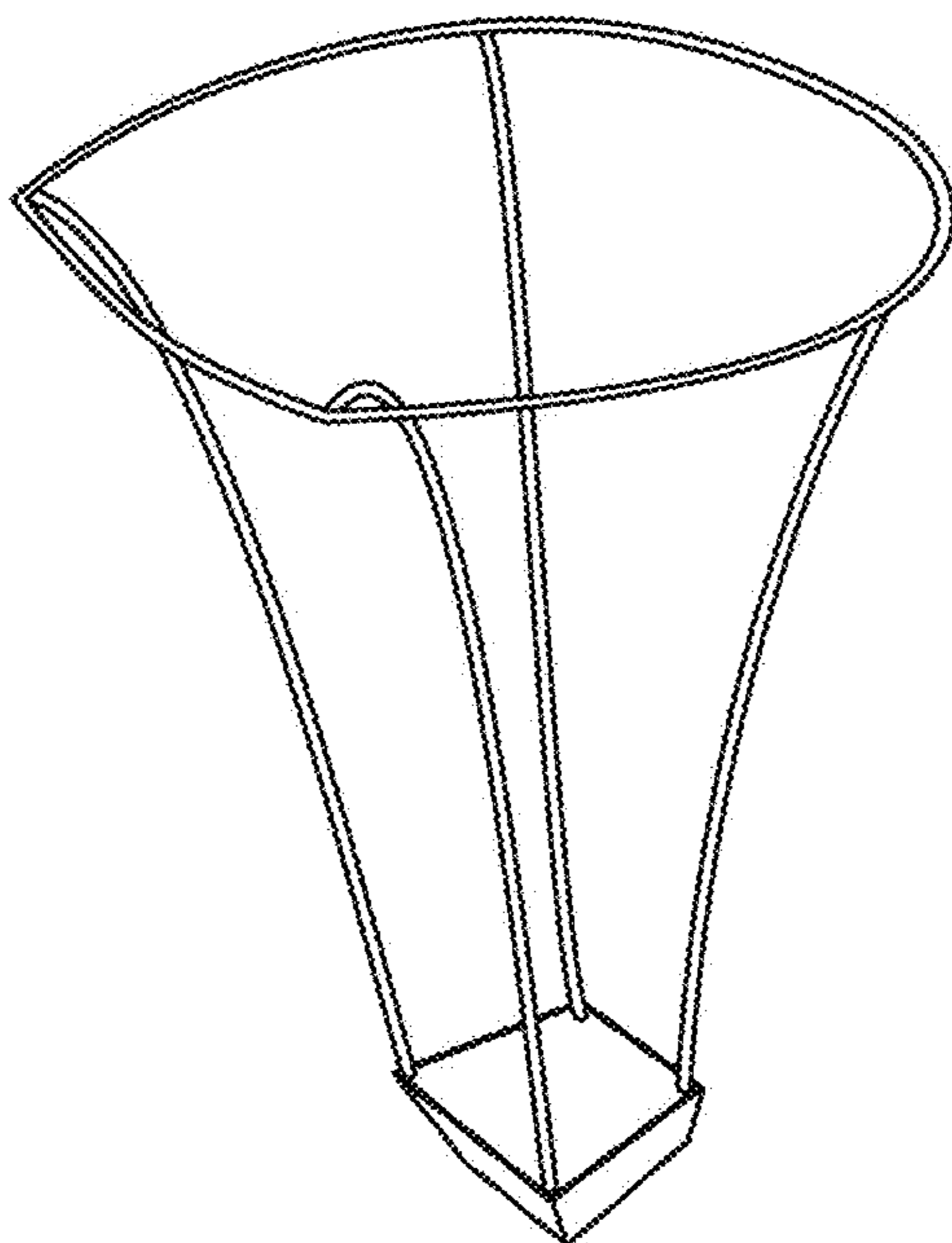


FIG. 1

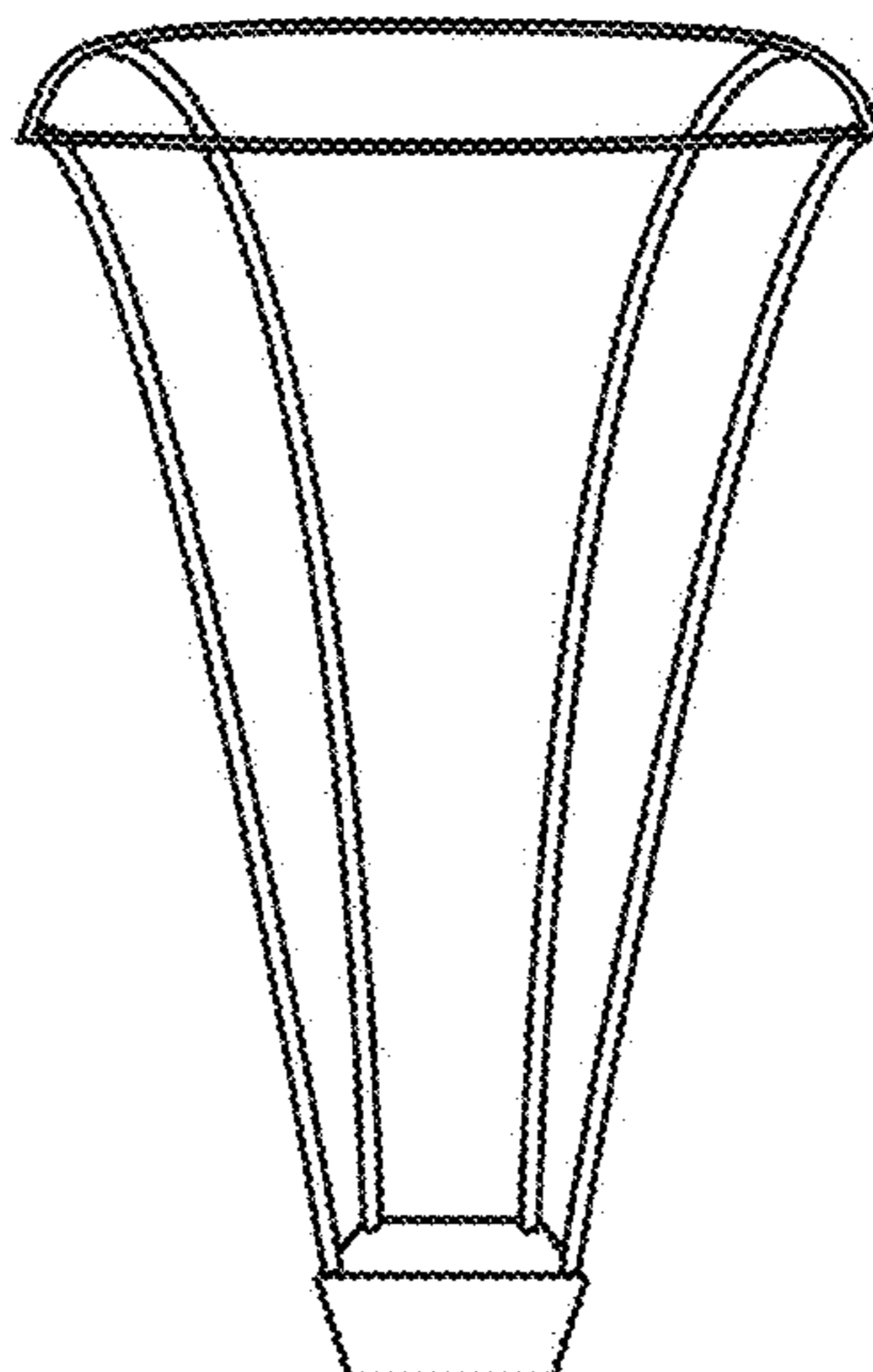


FIG. 2

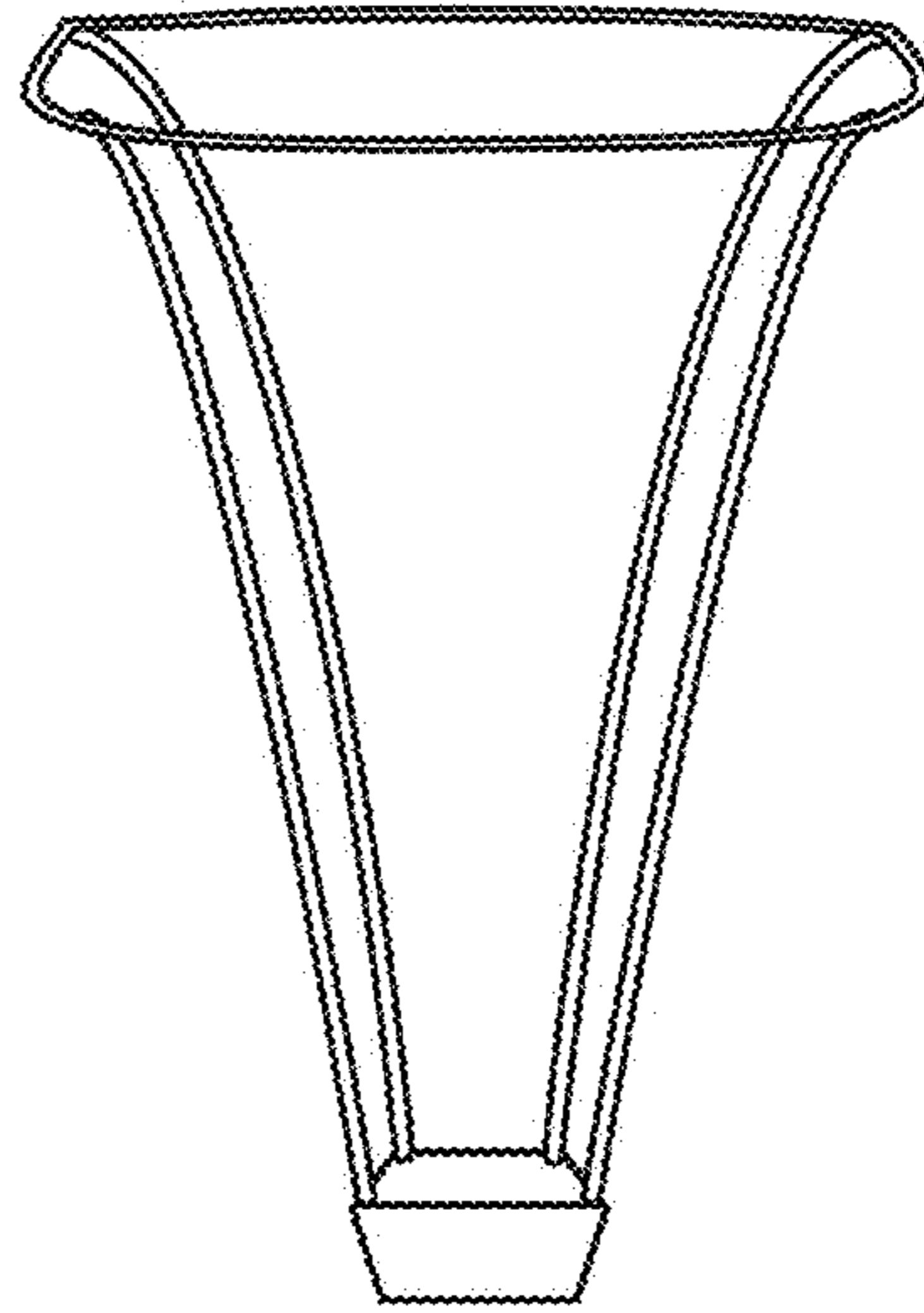


FIG. 3

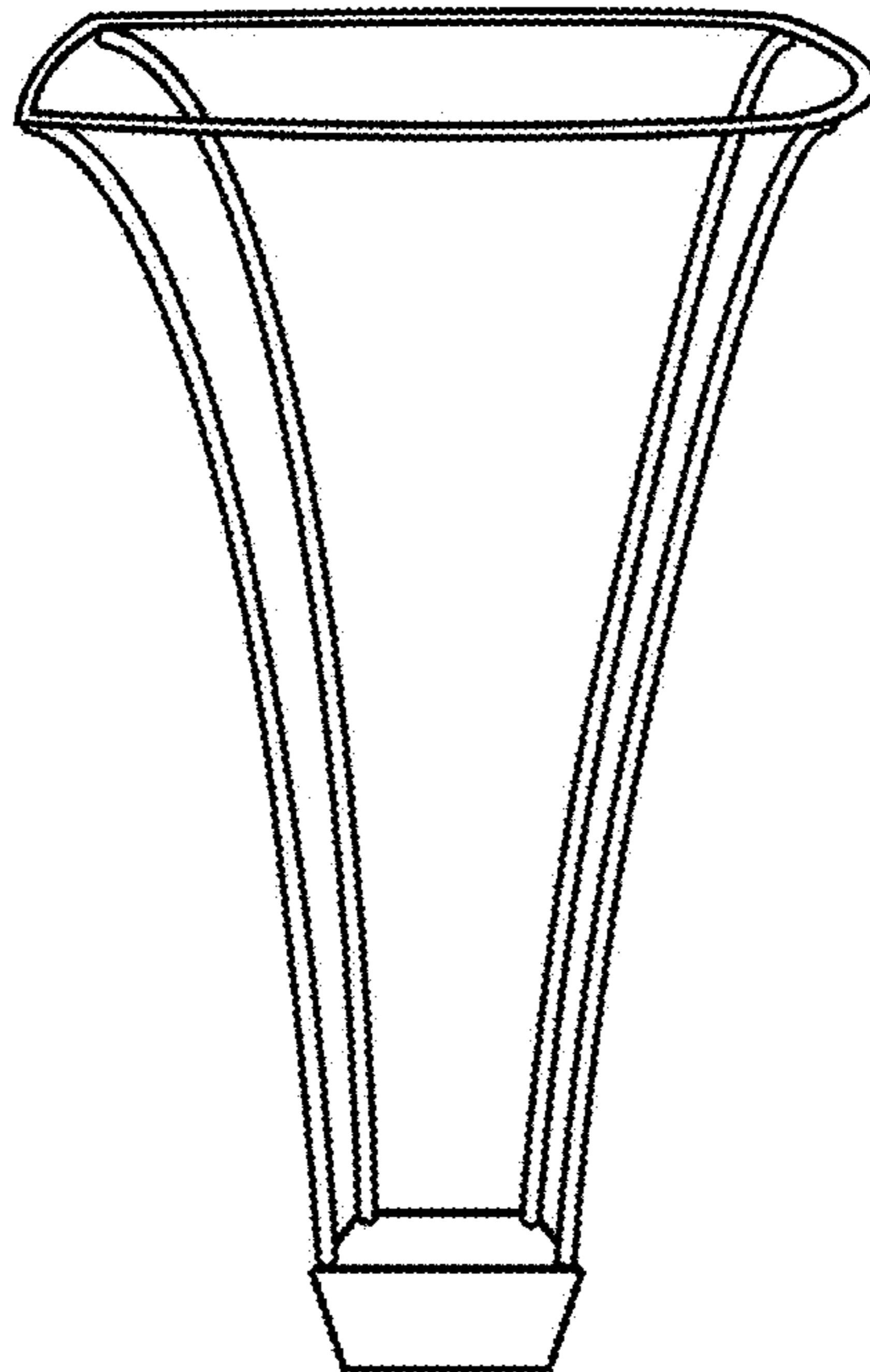


FIG. 4

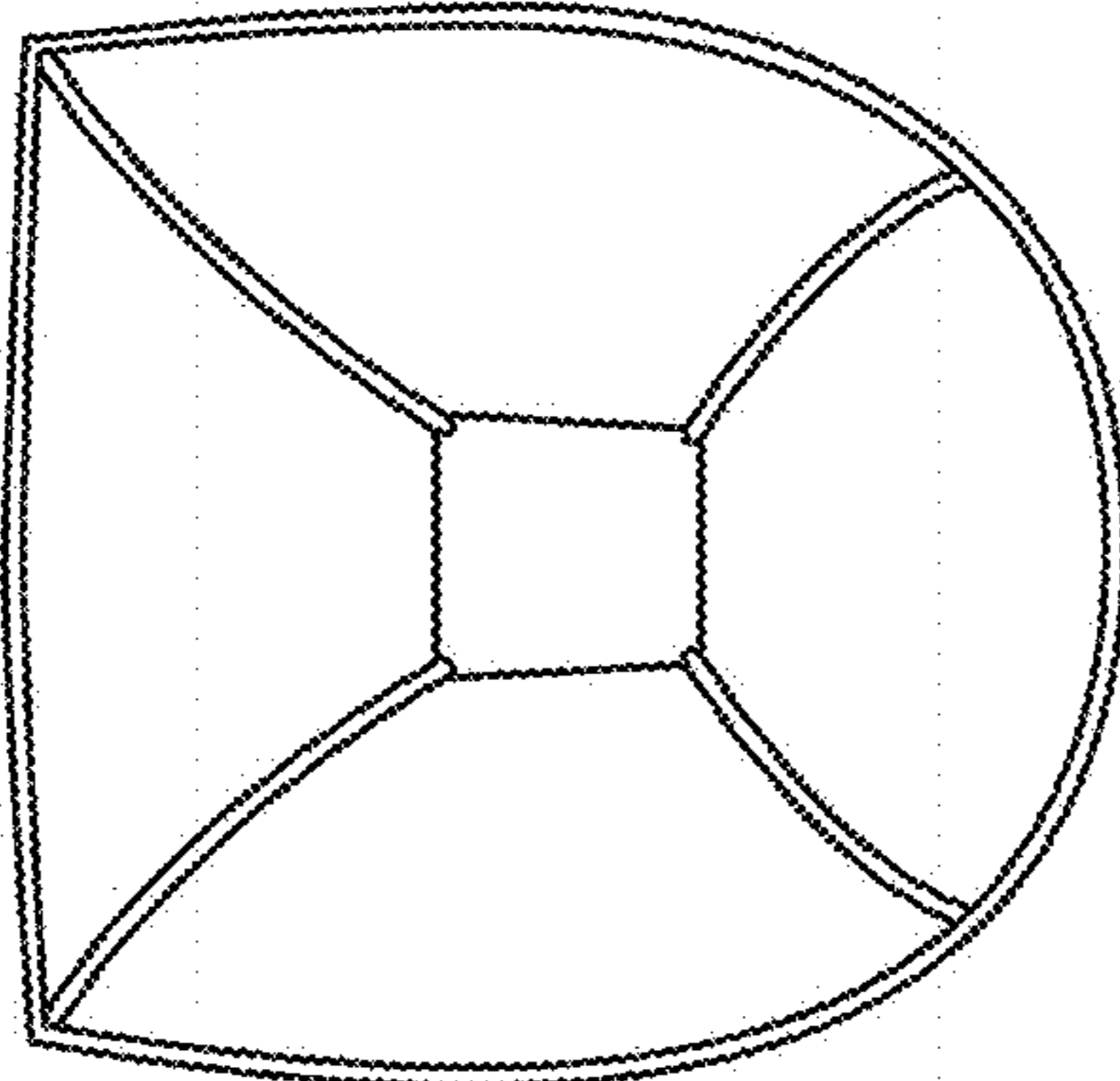


FIG. 5

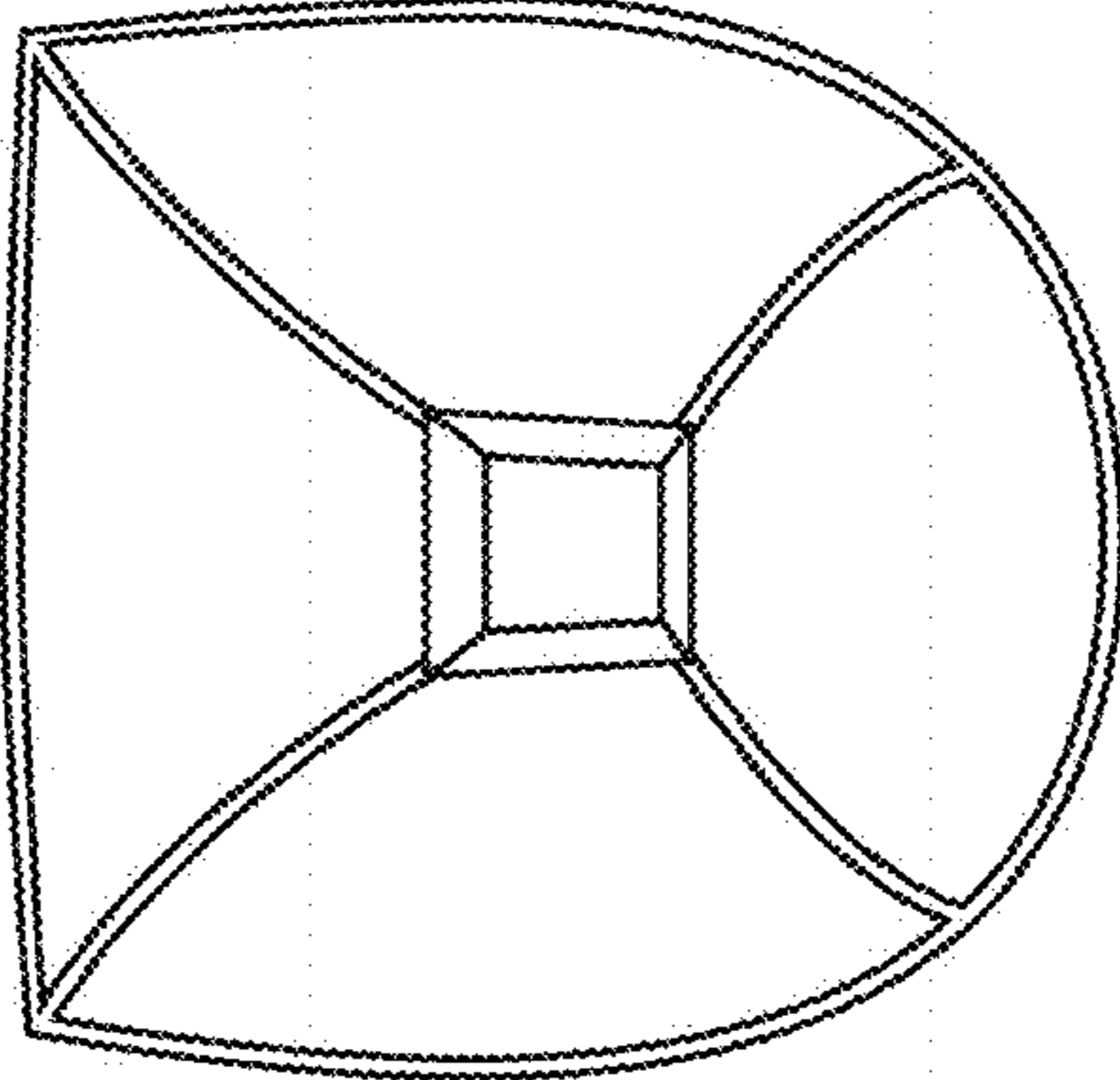


FIG. 6

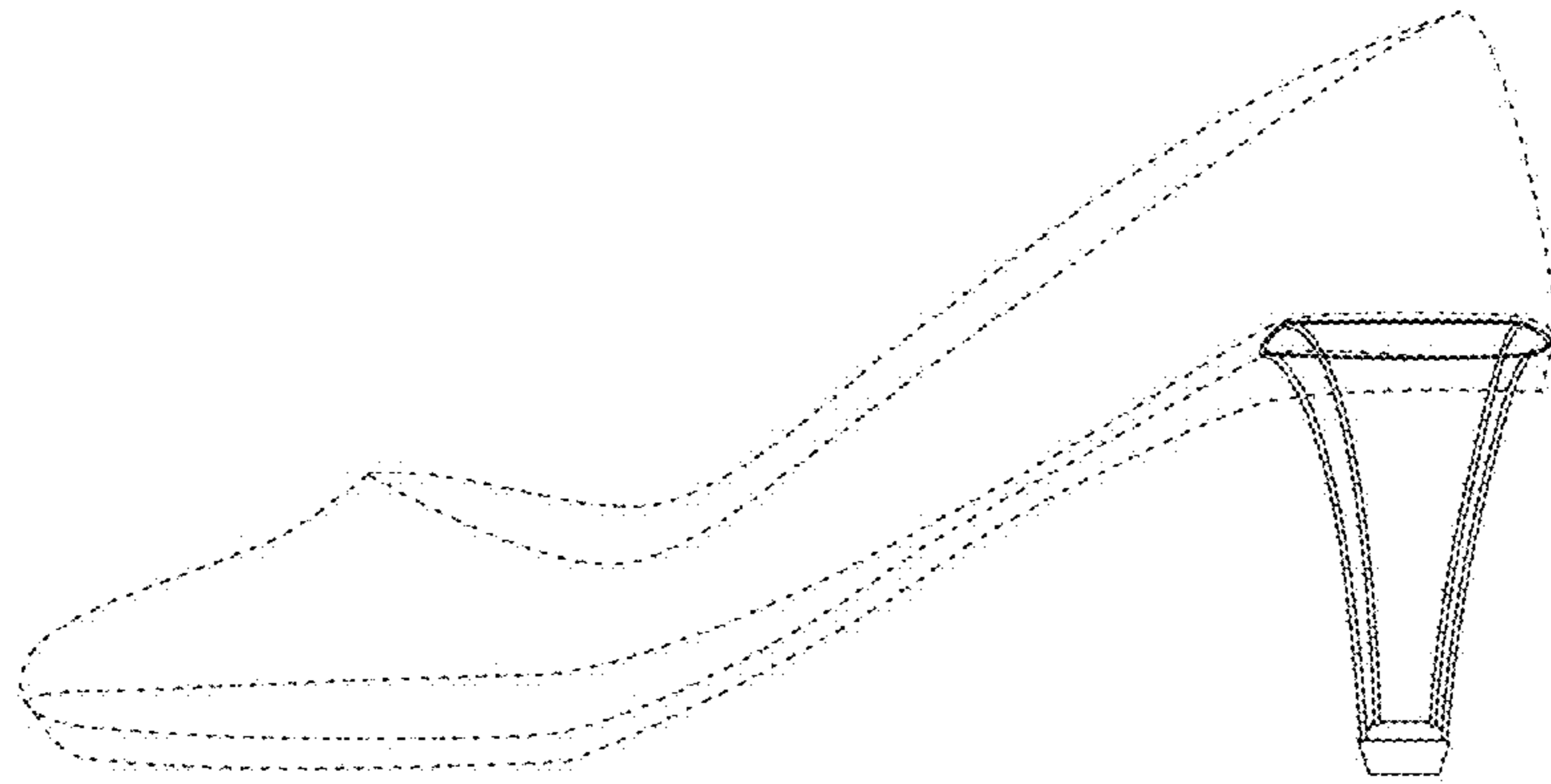


FIG. 7