

US00D716528S

(12) **United States Design Patent**  
**Badish**

(10) **Patent No.:** **US D716,528 S**

(45) **Date of Patent:** **\*\* Nov. 4, 2014**

- (54) **CAP WITH REMOVABLE BRIM**
- (71) Applicant: **Ryan F. Badish**, Westland, MI (US)
- (72) Inventor: **Ryan F. Badish**, Westland, MI (US)
- (\*\*) Term: **14 Years**
- (21) Appl. No.: **29/448,978**
- (22) Filed: **Mar. 14, 2013**
- (51) **LOC (10) Cl.** ..... **02-03**
- (52) **U.S. Cl.**  
USPC ..... **D2/882**
- (58) **Field of Classification Search**  
CPC ..... A42B 1/006; A42B 1/02  
USPC ..... D2/865, 866, 878, 879, 880, 881, 882,  
D2/883, 884, 886, 888, 891, 893, 894,  
D2/895; 2/171, 183, 175.1, 175.3, 175.7,  
2/195.1, 195.2, 195.3, 195.4, 195.7,  
2/200.1, 209.11, 209.12, 209.13, 209.3,  
2/209.4, 209.7  
See application file for complete search history.

D552,830	S	*	10/2007	Irwin	.....	D2/882
D617,325	S	*	6/2010	Valentine	.....	D14/403
7,950,068	B2	*	5/2011	Chang	.....	2/195.2
D641,961	S		7/2011	Kim		
D704,925	S	*	5/2014	Cho	.....	D2/882
D705,527	S	*	5/2014	Clark	.....	D2/882
D707,018	S	*	6/2014	Hart et al.	.....	D2/882
D708,427	S	*	7/2014	Cho	.....	D2/882
2004/0040067	A1	*	3/2004	Pong	.....	2/195.2
2011/0041238	A1		2/2011	Brzoska		
2011/0094014	A1	*	4/2011	Chang	.....	2/175.1
2013/0042388	A1	*	2/2013	Lasko et al.	.....	2/209.13

**OTHER PUBLICATIONS**

Custom Visor Cap with Zipper. [http://www.alibaba.com/product-gs/503711332/Zipper\\_Baseball\\_Cap.html](http://www.alibaba.com/product-gs/503711332/Zipper_Baseball_Cap.html) Accessed Oct. 20, 2011.

\* cited by examiner

*Primary Examiner* — Karen E Eldridge Powers  
(74) *Attorney, Agent, or Firm* — Robert C. Montgomery;  
Montgomery Patent & Design

(57) **CLAIM**

The ornamental design for a cap with removable brim, as shown and described.

**DESCRIPTION**

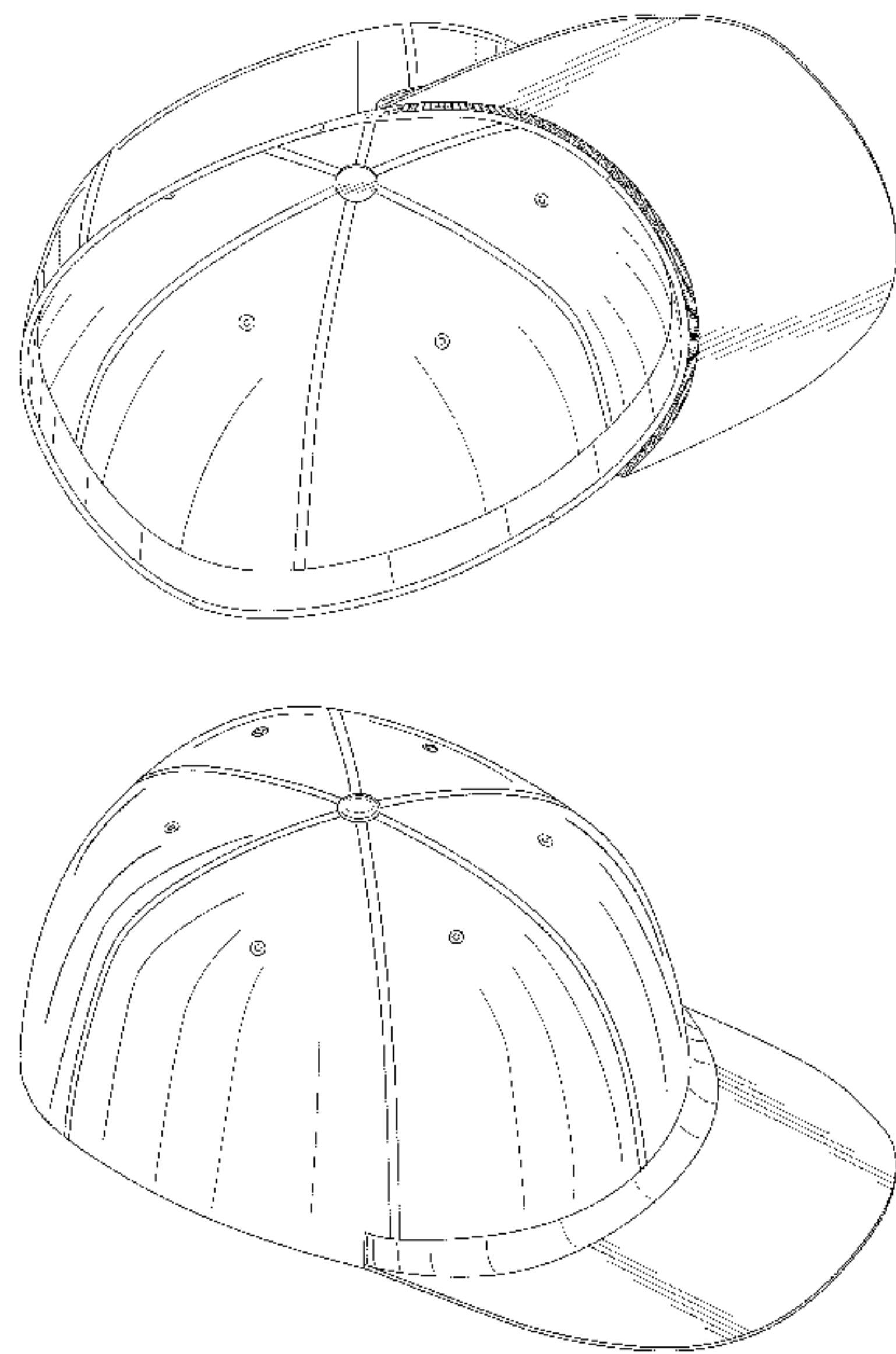
FIG. 1 is a bottom perspective view of a cap with removable brim, showing my new design;  
FIG. 2 is a top perspective view of the cap with removable brim;  
FIG. 3 is a front elevation view thereof;  
FIG. 4 is a rear elevation view thereof;  
FIG. 5 is a left side elevation view thereof;  
FIG. 6 is a right side elevation view thereof;  
FIG. 7 is a top plan view thereof; and,  
FIG. 8 is a bottom plan view thereof.

**1 Claim, 8 Drawing Sheets**

(56) **References Cited**

**U.S. PATENT DOCUMENTS**

2,684,484	A	*	7/1954	Rossmann	.....	2/195.4
5,437,062	A		8/1995	Douglas		
5,481,759	A	*	1/1996	Rinaldi	.....	2/195.1
D376,682	S	*	12/1996	Johnson	.....	D2/882
5,613,246	A	*	3/1997	Alexander	.....	2/10
5,715,534	A		2/1998	Mobley		
5,898,935	A	*	5/1999	Davis	.....	2/10
D414,593	S	*	10/1999	Knapp	.....	D2/882
D415,605	S	*	10/1999	Ae	.....	D2/876
6,044,495	A		4/2000	Ellman et al.		
6,263,508	B1		7/2001	Davis		
6,385,776	B2		5/2002	Lindsay		
6,643,847	B1		11/2003	Dornak		
D488,293	S	*	4/2004	Norway, Jr.	.....	D2/882



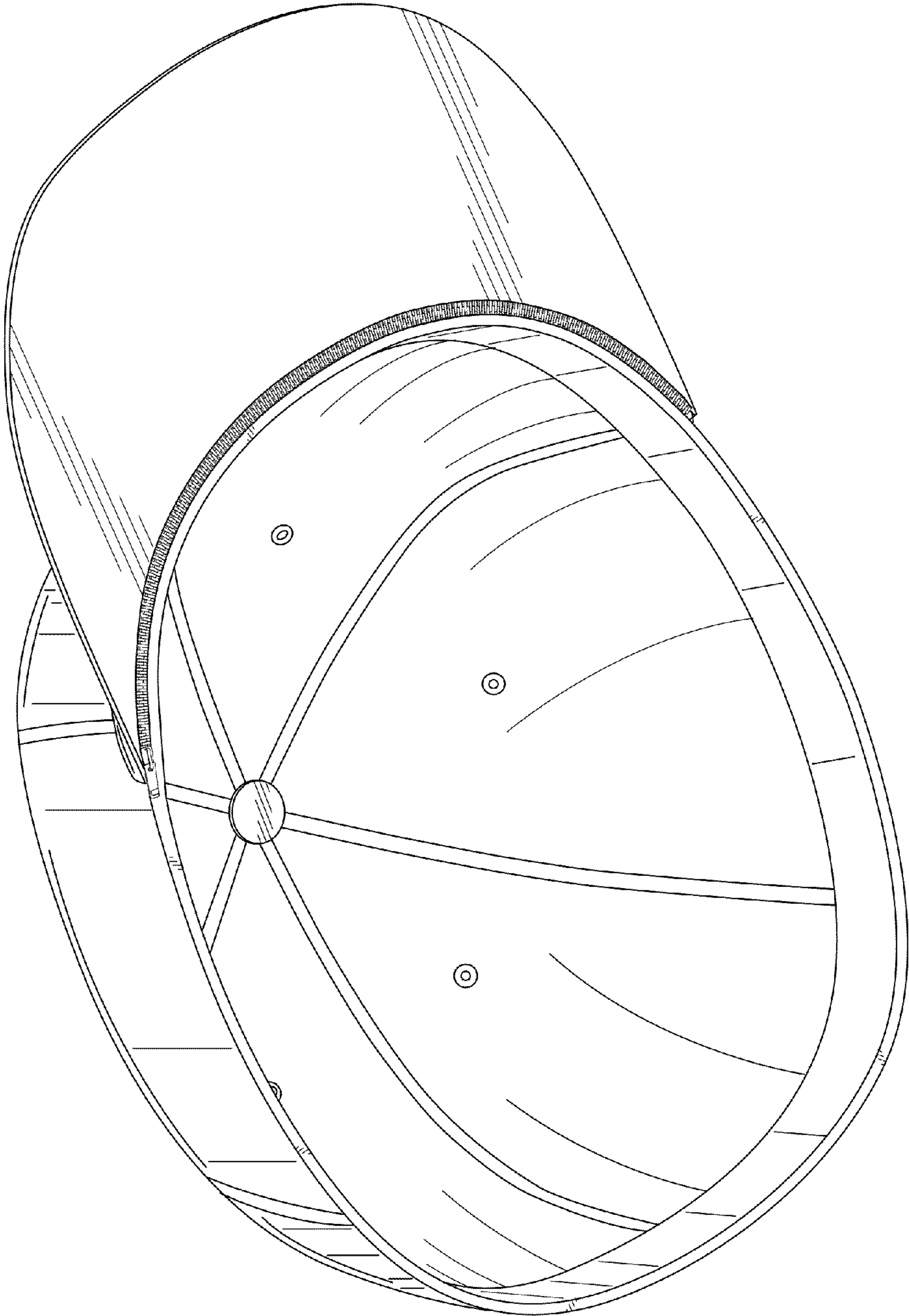


Fig. 1

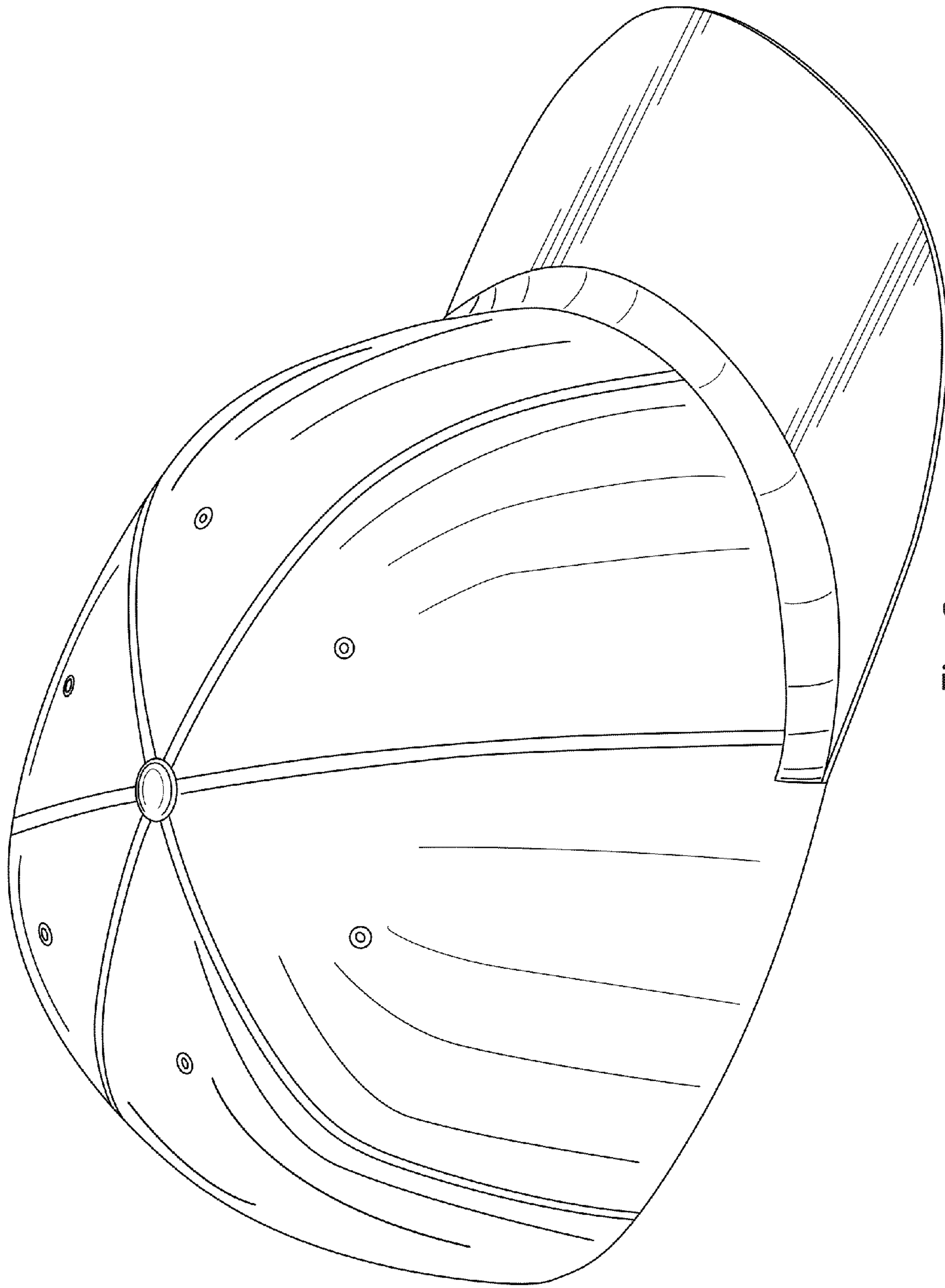


Fig. 2

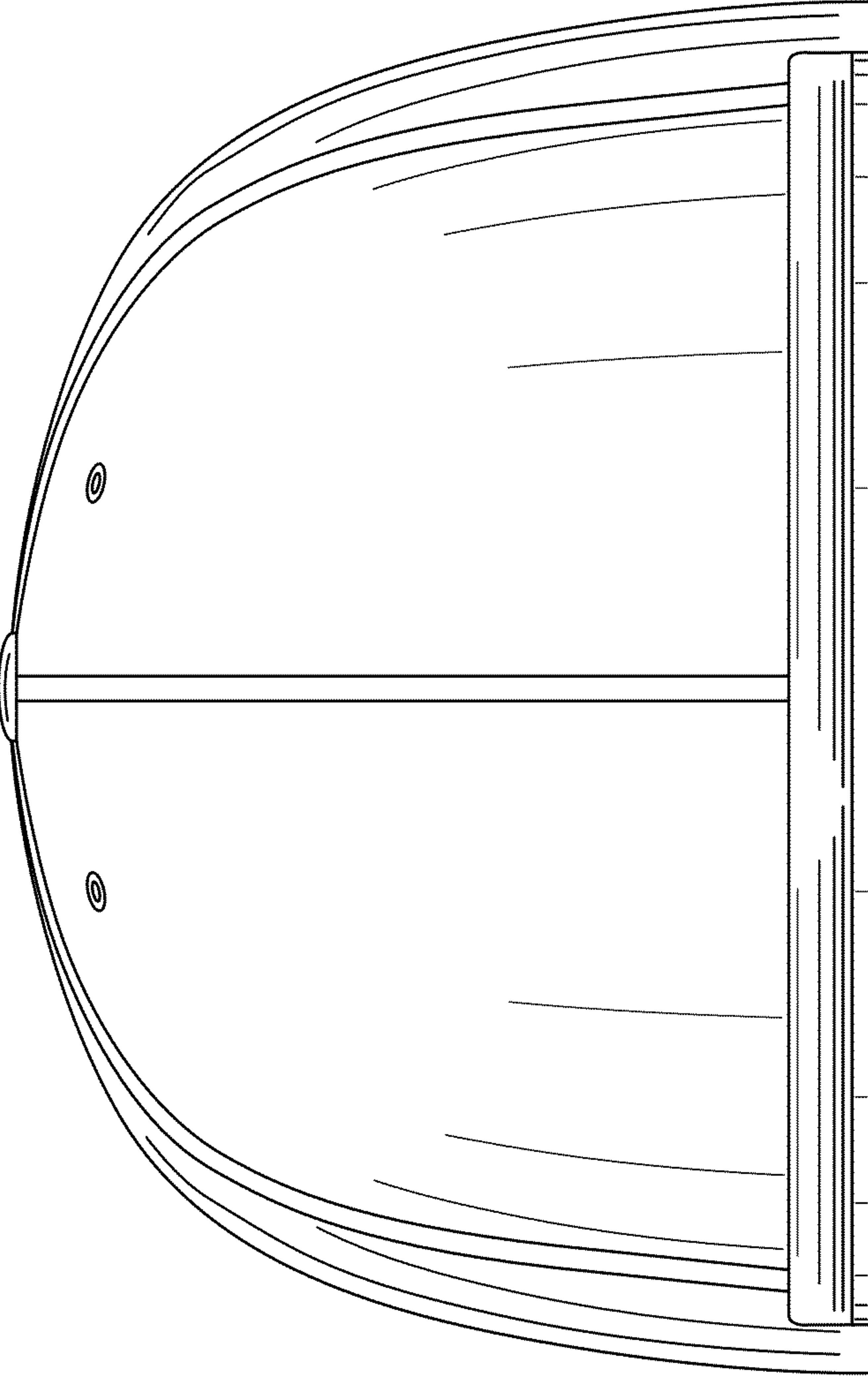


Fig. 3



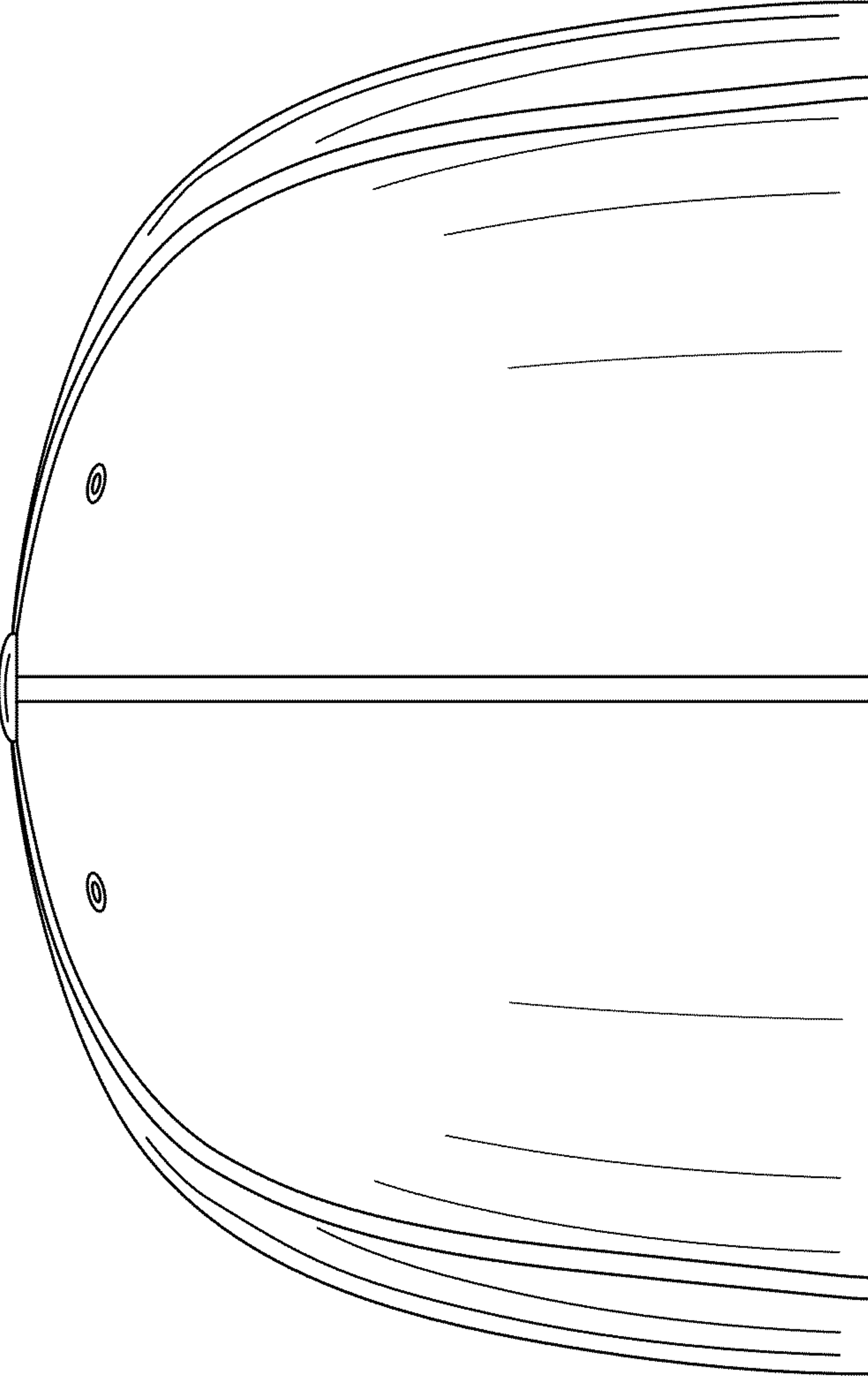


Fig. 4

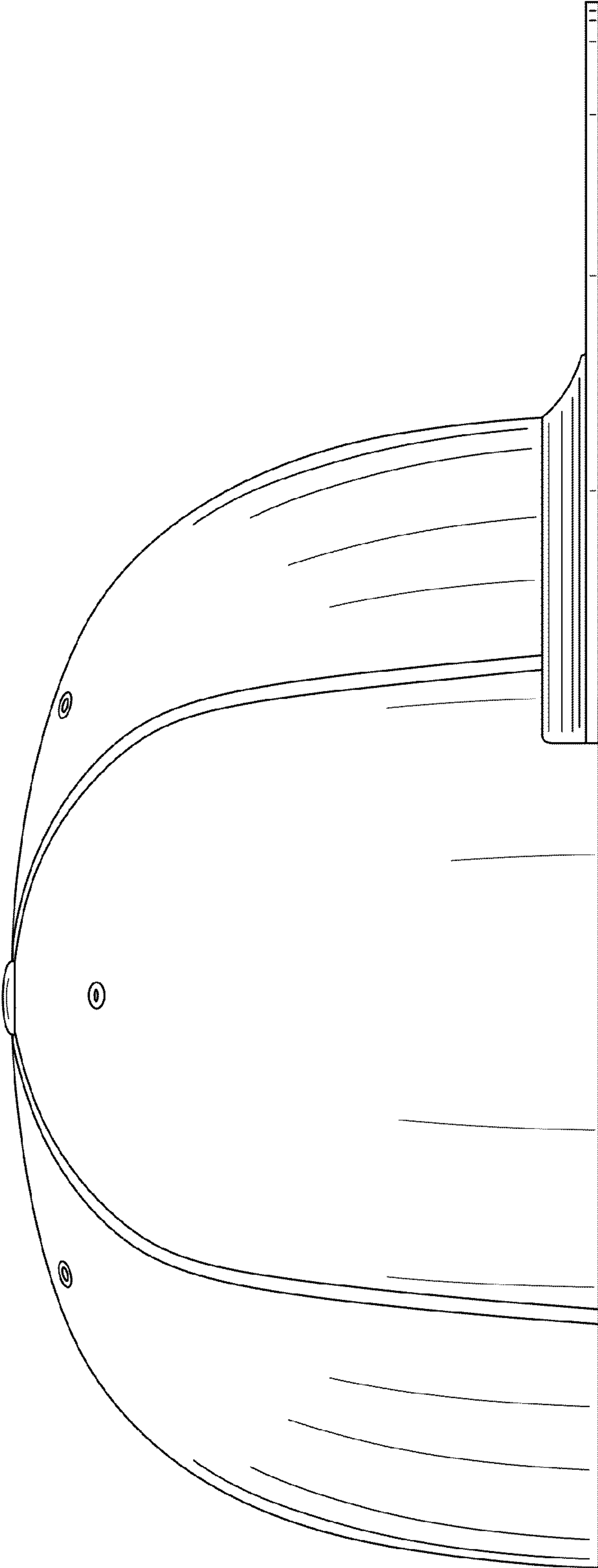


Fig. 5

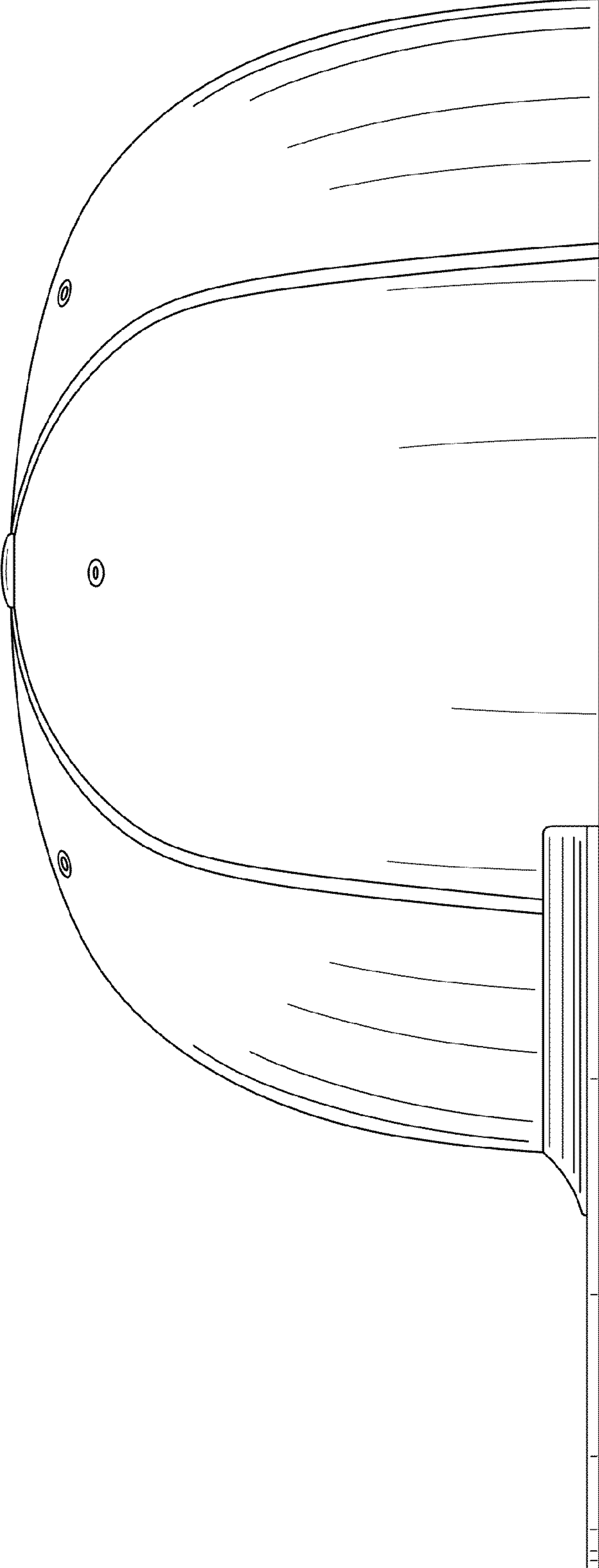


Fig. 6

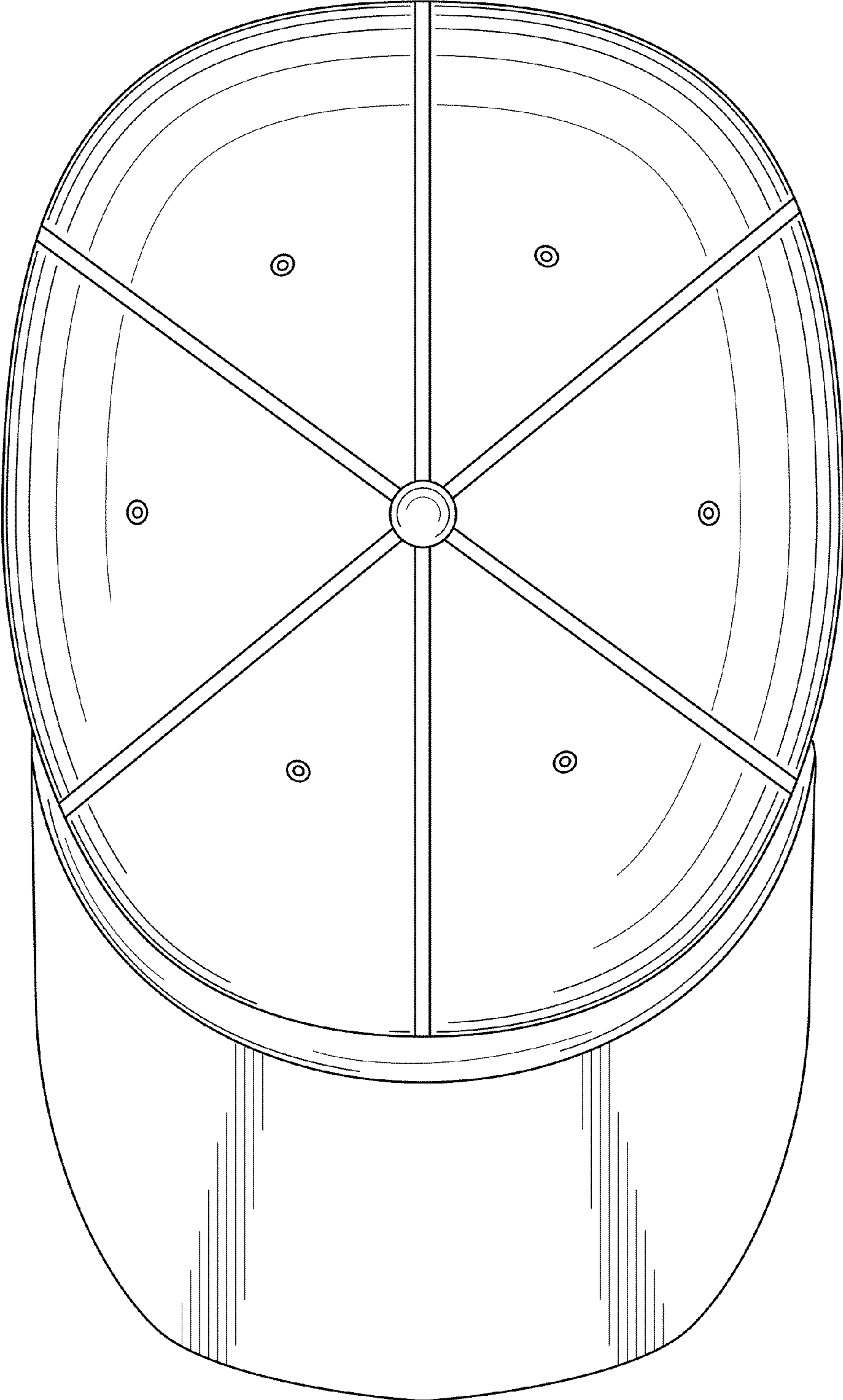


Fig. 7



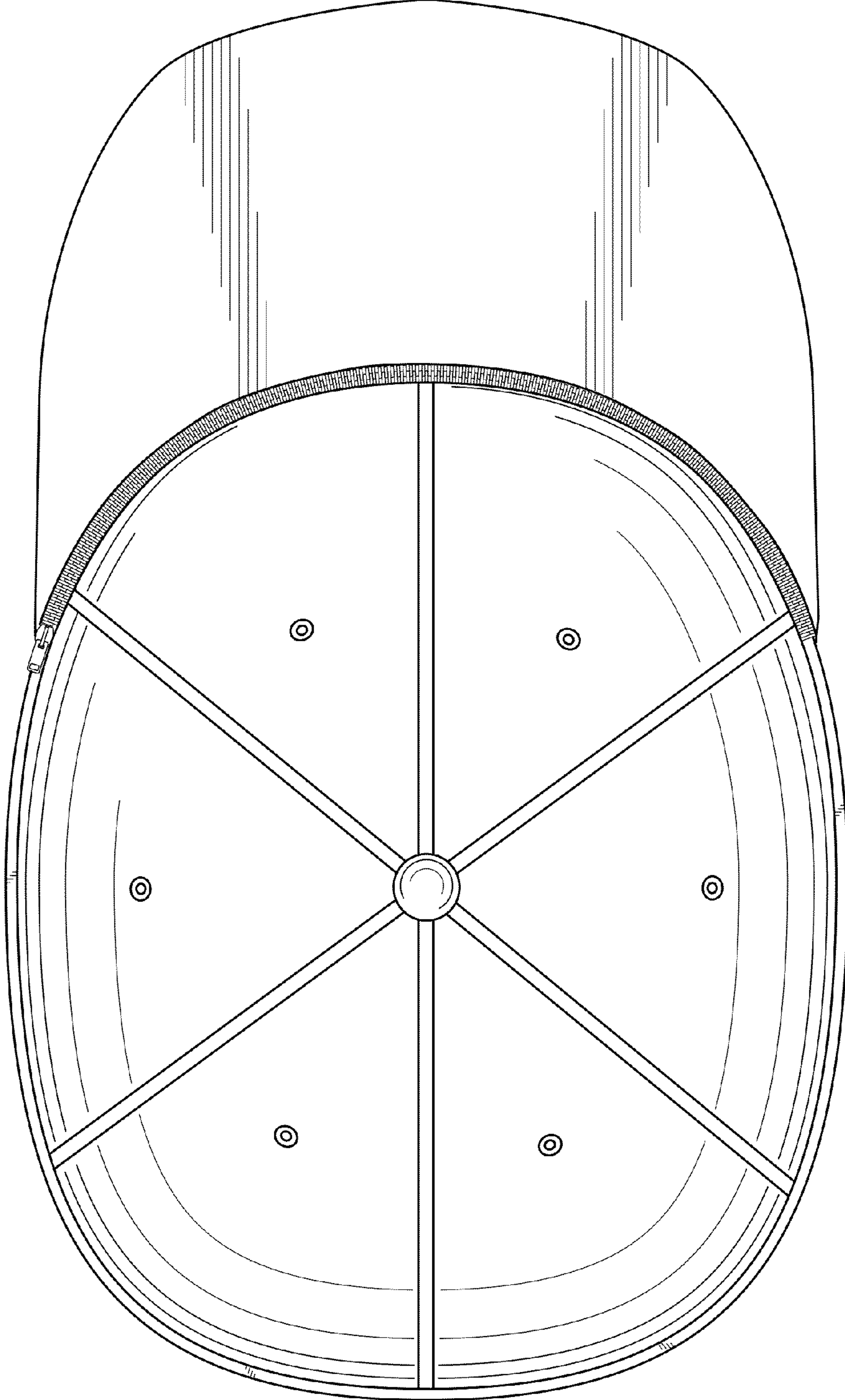


Fig. 8